



US00D963638S

(12) **United States Design Patent** (10) **Patent No.:** **US D963,638 S**  
**Chen et al.** (45) **Date of Patent:** **\*\* Sep. 13, 2022**

(54) **VEHICLE DIAGNOSTIC TABLET**

(71) Applicant: **Innova Electronics Corporation**,  
Irvine, CA (US)

(72) Inventors: **Ieon Chen**, Irvine, CA (US); **Doug Constable**, Irvine, CA (US); **John Protti**, Irvine, CA (US)

(73) Assignee: **Innova Electronics Corporation**,  
Irvine, CA (US)

(\*\*) Term: **15 Years**

(21) Appl. No.: **29/724,597**

(22) Filed: **Feb. 18, 2020**

(51) **LOC (13) Cl.** ..... **14-02**

(52) **U.S. Cl.**  
USPC ..... **D14/341**

(58) **Field of Classification Search**  
USPC ... D14/126–127, 138 AA, 138 AB, 138 AC,  
D14/138 AD, 138 C, 138 G, 248,  
D14/315–318, 341–347, 371, 374;  
D6/308, 310; D10/50, 65, 70, 78, 83, 87,  
D10/92, 98, 104.1; D18/6–7; D19/26,  
D19/59–60; D21/324, 329–330, 332;  
D12/114, 223  
CPC ... H04M 1/0202; H04M 1/0266; H04M 1/725  
See application file for complete search history.

(56) **References Cited**

**U.S. PATENT DOCUMENTS**

D721,290 S	*	1/2015	Varacca	.....	D10/78
D725,519 S	*	3/2015	Drew	.....	D10/75
D739,277 S	*	9/2015	Martel	.....	D10/78
D763,712 S	*	8/2016	Recoura-Massaquant	....	D10/78
D763,713 S	*	8/2016	Martel	.....	D10/78
D783,604 S	*	4/2017	Wesolek	.....	D14/341
D785,617 S	*	5/2017	Bidwell	.....	D14/341
D786,107 S	*	5/2017	Pileggi	.....	D10/78
D864,198 S	*	10/2019	Bidwell	.....	D14/341

(Continued)

**FOREIGN PATENT DOCUMENTS**

CN	305800254	*	5/2020
CN	306802526	*	9/2021
JP	D1685298	*	5/2021

**OTHER PUBLICATIONS**

Autel MaxiCOM MK908, date first available: Jun. 3, 2019, [retrieved Mar. 10, 2022], Retrieved from Internet, URL: <<https://www.amazon.com/dp/B07SKVVMYK8?tag=cartreatcom-20>> (Year: 2019).\*

(Continued)

*Primary Examiner* — Messina L Smith

*Assistant Examiner* — Aram Kwon

(74) *Attorney, Agent, or Firm* — Stetina Brunda Garred & Brucker

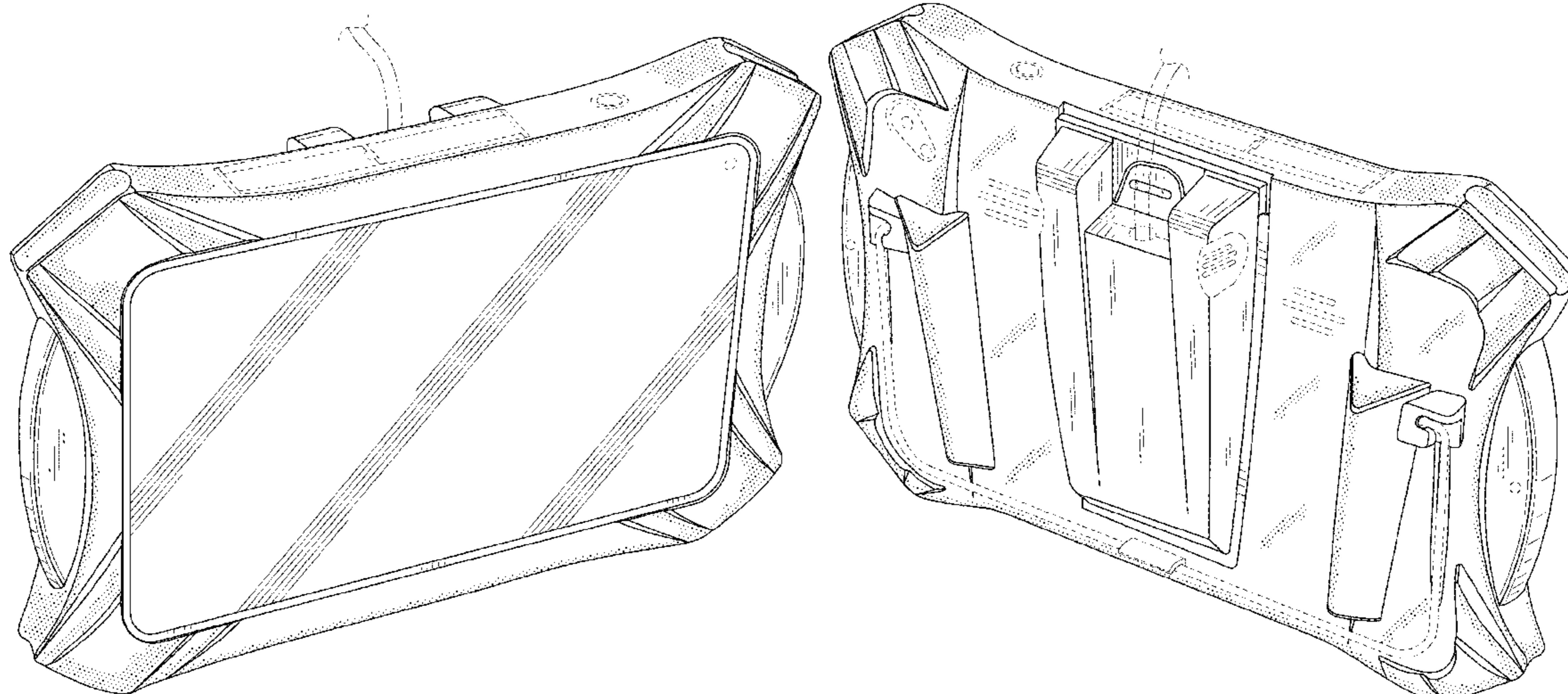
(57) **CLAIM**

The ornamental design for a vehicle diagnostic tablet, as shown and described.

**DESCRIPTION**

FIG. 1 is a front upper perspective view the vehicle diagnostic tablet showing our new design; FIG. 2 is a rear upper perspective view thereof; FIG. 3 is a top plan view thereof; FIG. 4 is a front elevational view thereof; FIG. 5 is a rear elevational view thereof; FIG. 6 is a bottom plan view thereof; FIG. 7 is a right-side elevational view thereof; and, FIG. 8 is a left-side elevational view thereof. The evenly-dashed broken lines shown in the drawings illustrate features of the vehicle diagnostic tablet that form no part of the claimed design. The dash-dot-dot broken line showing of the cable in FIGS. 1 and 2 illustrate environment and form no part of the claimed design.

**1 Claim, 5 Drawing Sheets**



(56)

**References Cited**

## U.S. PATENT DOCUMENTS

D892,074 S \* 8/2020 Mitsunaga ..... D14/188  
D910,008 S \* 2/2021 Shi ..... D14/341  
D938,841 S \* 12/2021 Lu ..... D10/78  
D939,368 S \* 12/2021 Lu ..... D10/78  
2021/0304530 A1 \* 9/2021 Chen ..... G07C 5/0808

## OTHER PUBLICATIONS

Foxwell GT60, date first available: Aug. 15, 2019, [retrieved Mar. 10, 2022], Retrieved from Internet, URL: <<https://www.amazon.com/FOXWELL-GT60-Automotive-Diagnostic-Touchscreen/dp/B07WK1XFZL?th=1>> (Year: 2019).\*

Innova 7111 OBD2 Tablet, date first available: Sep. 23, 2021, [retrieved Mar. 10, 2022], Retrieved from Internet, URL: <[https://www.amazon.com/Innova-7111-OBD2-Tablet-BiDirectional/dp/B09GZMSWYL/ref=asc\\_df\\_B09GZMSWYL/?tag=hyprod-20&linkCode=df0&hvad%E2%80%A6](https://www.amazon.com/Innova-7111-OBD2-Tablet-BiDirectional/dp/B09GZMSWYL/ref=asc_df_B09GZMSWYL/?tag=hyprod-20&linkCode=df0&hvad%E2%80%A6)> (Year: 2021).\*

Thinkcar Thinktool, date first available: Jan. 13, 2021, [retrieved Mar. 10, 2022], Retrieved from Internet, URL: <[https://www.amazon.com/dp/B08SWH2KP4/ref=sspa\\_dk\\_detail\\_0?psc=1&pd\\_rd\\_w=HdmQY&pf\\_rd\\_p=57cbdc41-b731-4e3d-aca7-49078b13a07b&p%E2%80%A6](https://www.amazon.com/dp/B08SWH2KP4/ref=sspa_dk_detail_0?psc=1&pd_rd_w=HdmQY&pf_rd_p=57cbdc41-b731-4e3d-aca7-49078b13a07b&p%E2%80%A6)> (Year: 2021).\*

Innova Releases Its First Diagnostic Tablet, Nov. 4, 2020, [retrieved Mar. 10, 2022], Retrieved from Internet, URL: <<https://www.autoserviceprofessional.com/articles/8550-innova-releases-its-first-diagnostic-tablet>> (Year: 2020).\*

\* cited by examiner

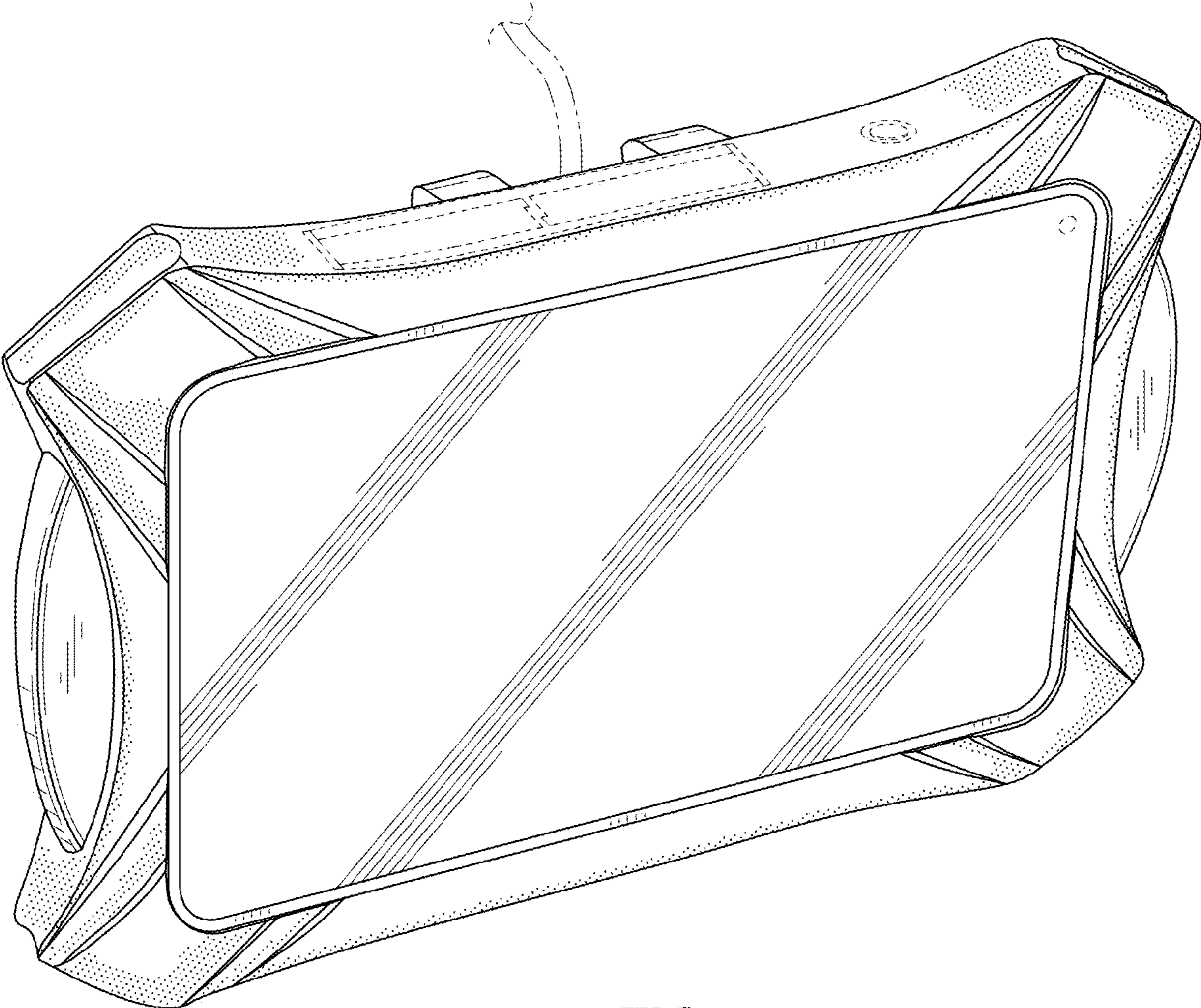
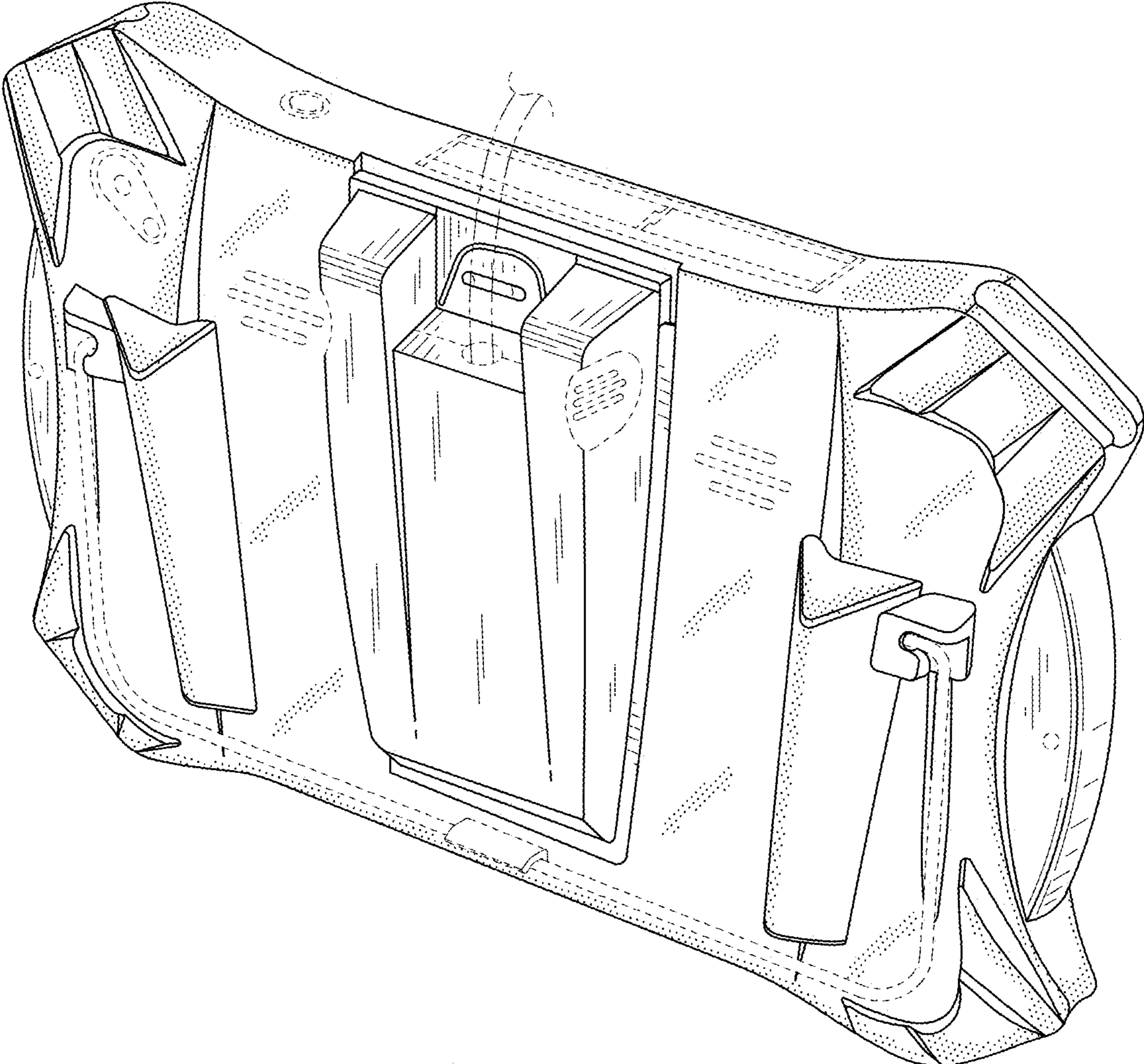


FIG. 1



**FIG. 2**

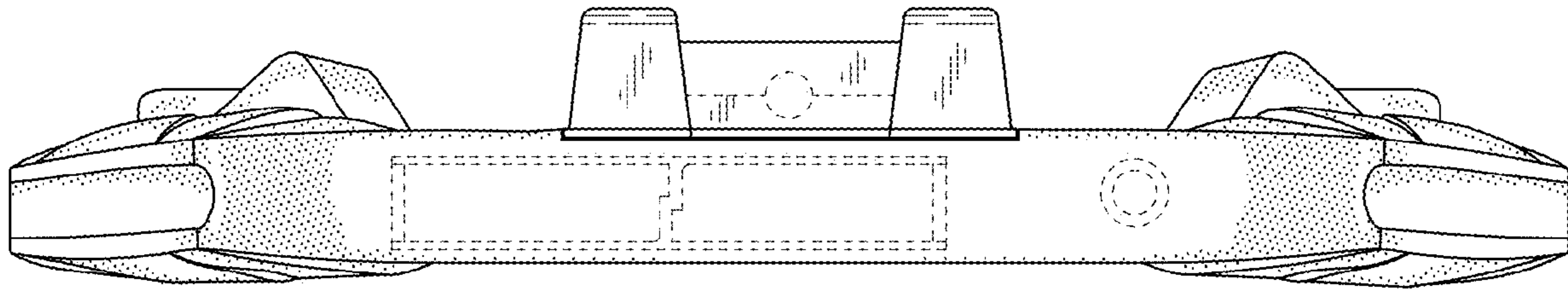


FIG. 3

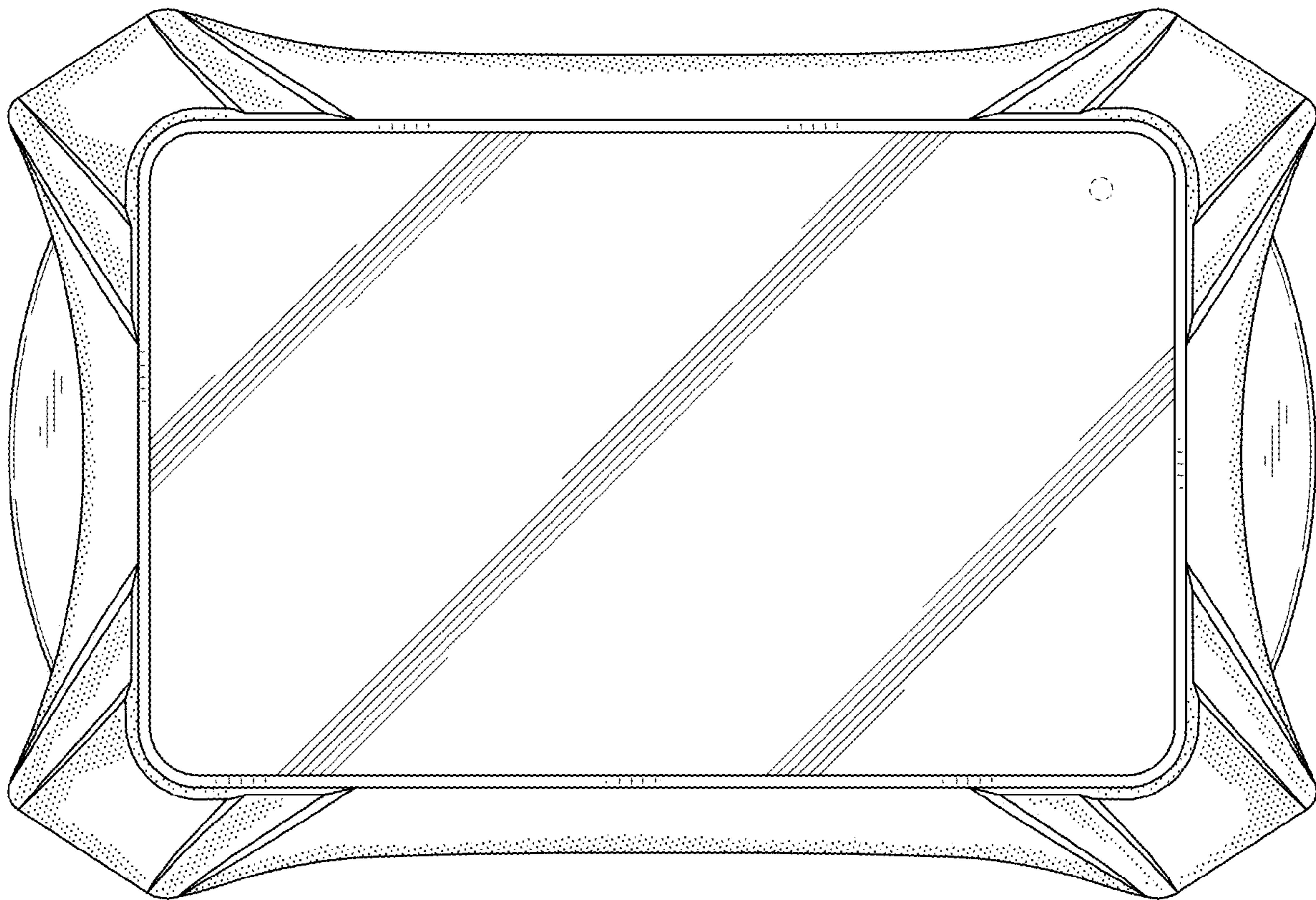


FIG. 4

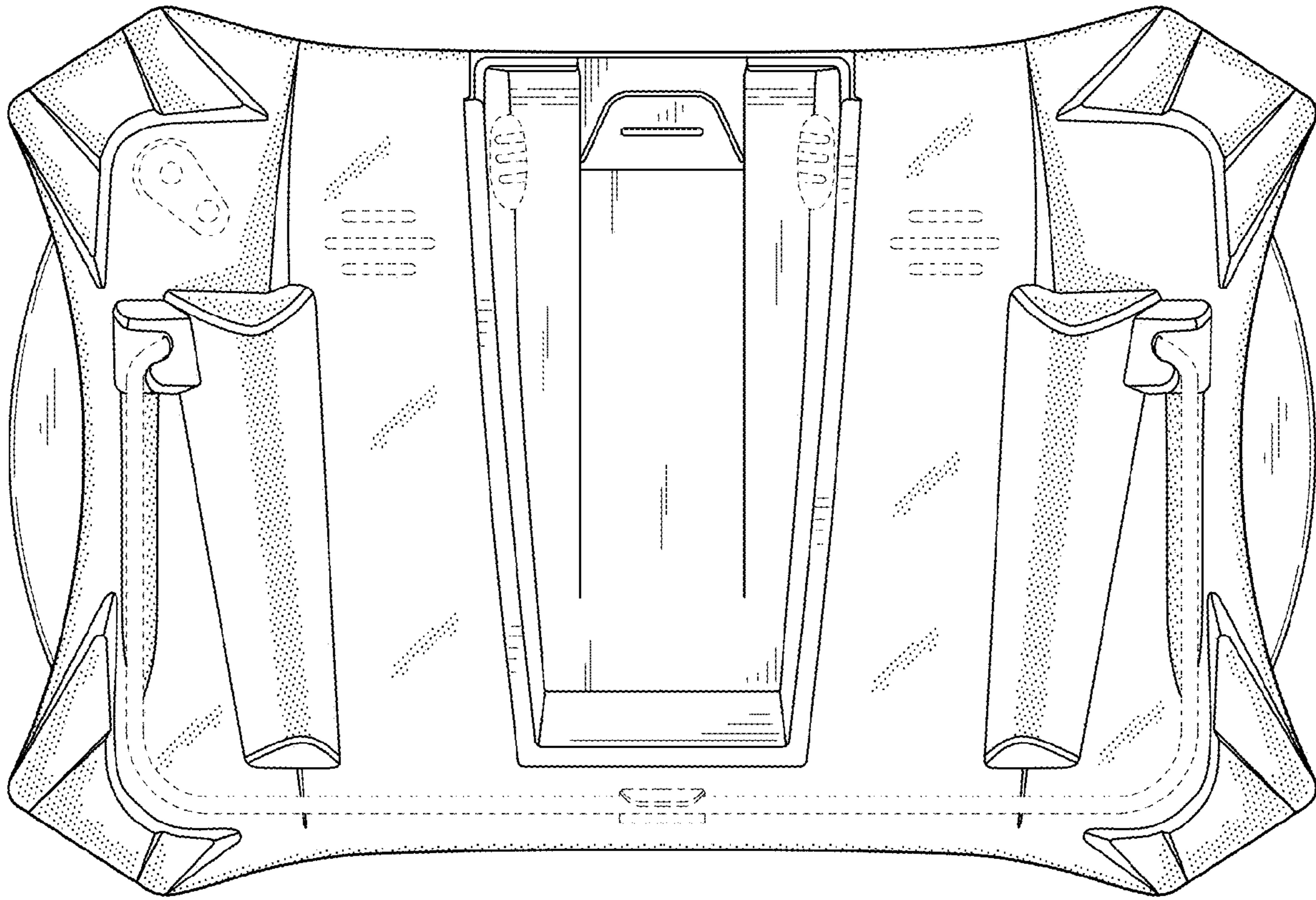


FIG. 5

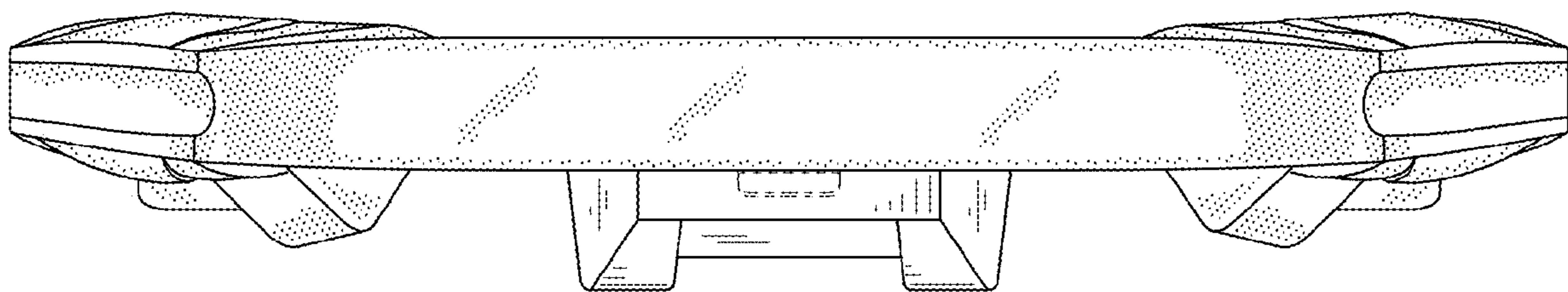


FIG. 6

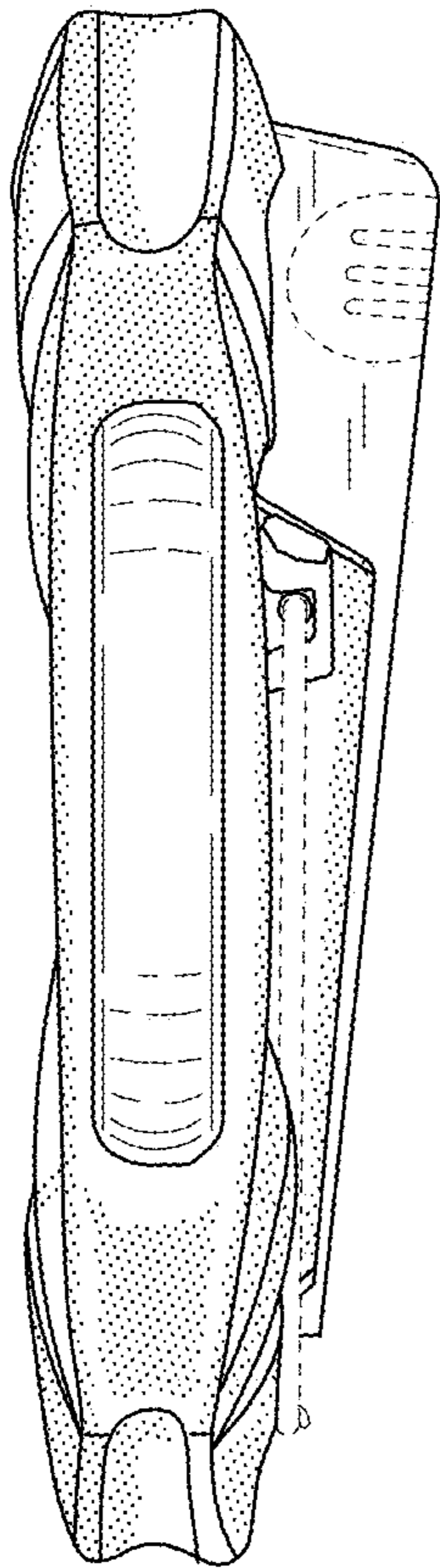


FIG. 7

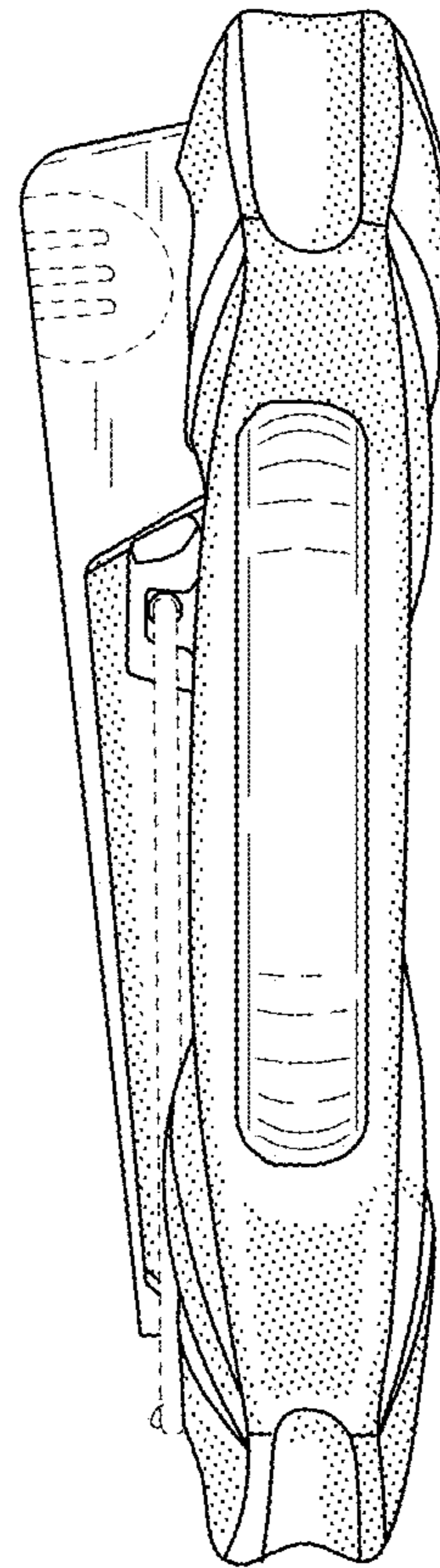


FIG. 8