



US00D963637S

(12) **United States Design Patent**
Kim et al.

(10) **Patent No.: US D963,637 S**
(45) **Date of Patent: ** Sep. 13, 2022**

(54) **NOTEBOOK**

(71) Applicant: **SAMSUNG ELECTRONICS CO., LTD.**, Gyeonggi-do (KR)

(72) Inventors: **Inshik Kim**, Gyeonggi-do (KR);
Haesung Park, Gyeonggi-do (KR);
Namkyu Kim, Gyeonggi-do (KR)

(73) Assignee: **SAMSUNG ELECTRONICS CO., LTD.**, Gyeonggi-Do (KR)

(**) Term: **15 Years**

(21) Appl. No.: **29/716,329**

(22) Filed: **Dec. 9, 2019**

(30) **Foreign Application Priority Data**

Jun. 14, 2019 (KR) 30-2019-0028367

(51) **LOC (13) Cl.** **14-02**

(52) **U.S. Cl.**
USPC **D14/327; D14/450**

(58) **Field of Classification Search**
USPC D14/315–327, 371, 448, 126–127,
D14/339–340, 450, 373; D18/1, 4.3, 7,
D18/12.2–12.3

(Continued)

(56) **References Cited**

U.S. PATENT DOCUMENTS

D311,739 S * 10/1990 De Lucchi D14/450
5,490,647 A * 2/1996 Rice G06F 3/03543
248/118.1

(Continued)

FOREIGN PATENT DOCUMENTS

EM 001725524-0001 7/2010

OTHER PUBLICATIONS

Iwama et al., Japanese Design No. D1229643, published at Orbit, publication date Feb. 7, 2005. Site visited Sep. 26, 2021. Available from Internet. (Year: 2005).*

(Continued)

Primary Examiner — Kathleen L Jones
(74) *Attorney, Agent, or Firm* — Cantor Colburn LLP

(57) **CLAIM**

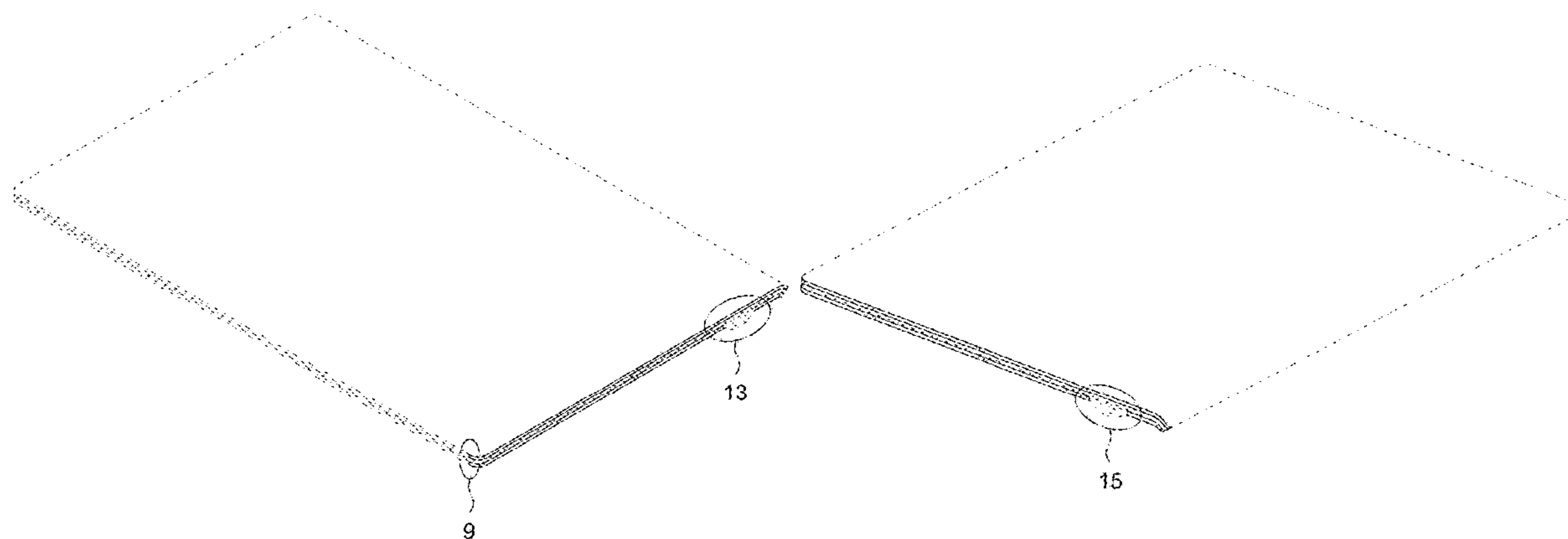
The ornamental design for a notebook, as shown and described.

DESCRIPTION

FIG. 1 is a top perspective view of a notebook, showing our new design;
FIG. 2 is a front view thereof;
FIG. 3 is a rear view thereof;
FIG. 4 is a left-side view thereof;
FIG. 5 is a right-side view thereof;
FIG. 6 is a top view thereof;
FIG. 7 is a bottom view thereof;
FIG. 8 is another top perspective view thereof;
FIG. 9 is an enlarged view of the encircled portion '9' in FIG. 1;
FIG. 10 is an enlarged view of the encircled portion '10' in FIG. 2;
FIG. 11 is an enlarged view of the encircled portion '11' in FIG. 3;
FIG. 12 is an enlarged view of the encircled portion '12' in FIG. 7;
FIG. 13 is an enlarged view of the encircled portion '13' in FIG. 1;
FIG. 14 is an enlarged view of the encircled portion '14' in FIG. 5; and,
FIG. 15 is an enlarged view of the encircled portion '15' in FIG. 8.

The broken lines illustrating portions of the notebook form no part of the claimed design. The dash dot broken lines depict boundaries of the claimed design and form no part

(Continued)



thereof. The dot-dot-dash broken lines are used to indicate portions of the article shown enlarged and form no part of the claimed design.

1 Claim, 8 Drawing Sheets

(58) **Field of Classification Search**

CPC G06F 1/166; G06F 1/1613; G06F 1/1616;
G06F 1/1618; G06F 1/162; G06F 1/1622;
G06F 1/1624; G06F 1/1628; G06F
1/1633; G06F 1/1615; G06F 1/1643;
G06F 1/1652; G06F 1/1654; G06F
1/1656; G06F 1/1669; G06F 1/203; G06F
1/1688; G06F 1/1601; G06F 1/1637;
G06F 1/181; G06F 1/1641; G06F 1/1647;
G06F 1/1649; G06F 1/165; G06F 1/1662;
G06F 1/1671; G06F 1/169; G06F 1/1692

See application file for complete search history.

(56) **References Cited**

U.S. PATENT DOCUMENTS

D577,013	S	*	9/2008	Harris	D14/315
D643,426	S	*	8/2011	A.B.	D14/316
D651,600	S	*	1/2012	Lee	D14/315
D652,415	S	*	1/2012	Lee	D14/315
D652,417	S	*	1/2012	Lee	D14/315
D657,785	S	*	4/2012	Lee	D14/315
D664,537	S		7/2012	Hu et al.		
D683,726	S	*	6/2013	Morisawa	D14/315
D688,237	S	*	8/2013	Paulhac	D14/315
D705,774	S	*	5/2014	Hung	D14/327
D706,764	S	*	6/2014	Wolff	D14/315
D706,765	S	*	6/2014	Wolff	D14/315
D708,606	S	*	7/2014	Kim	D14/315
D708,607	S	*	7/2014	Lee	D14/315
D717,788	S	*	11/2014	Yun	D14/315
D719,562	S	*	12/2014	Kim	D14/315
D725,648	S	*	3/2015	Chang	D14/327
D730,345	S	*	5/2015	Lee	D14/315
D733,122	S	*	6/2015	Lee	D14/327

D733,701	S	*	7/2015	Lee	D14/327
D734,324	S	*	7/2015	Lee	D14/327
D734,325	S	*	7/2015	Lee	D14/327
D736,200	S	*	8/2015	Kim	D14/315
D737,265	S	*	8/2015	Myung	D14/315
D737,810	S	*	9/2015	Kim	D14/315
D737,811	S	*	9/2015	Lee	D14/315
D744,476	S	*	12/2015	Myung	D14/315
D746,808	S	*	1/2016	Matsuoka	D14/318
D748,626	S	*	2/2016	Lee	D14/345
D780,745	S	*	3/2017	Cui	D14/315
D780,746	S	*	3/2017	Matsuoka	D14/315
D795,245	S	*	8/2017	Seoc	D14/315
D902,198	S	*	11/2020	Sun	D14/327
2022/0057840	A1	*	2/2022	Ho	G06F 1/1656

OTHER PUBLICATIONS

Ngo, Allen, Asus Vivobook 15 F512DA Laptop Review: AMD Ryzen 3 for \$400, posted at NotebookCheck, posting date Apr. 20, 2020. Site visited Dec. 4, 2021. URL: <<https://www.notebookcheck.net/Asus-Vivobook-15-F512DA-Laptop-Review-AMD-Ryzen-3-for-400.461969.0.html>> (Year: 2020).*

Ackerman, Dan, New HP Envy laptops go big for back-to-school, posted at CNET, posting date Jun. 18, 2015. Site visited Dec. 3, 2021. URL: <<https://www.cnet.com/reviews/hp-envy-17-2015-preview/>> (Year: 2015).*

Gartenberg, Chaim, Samsung's new Galaxy Book S is a Qualcomm-powered laptop with 23 hours of battery life, posted at The Verge circuit breaker, dated Aug. 7, 2019. Site visited May 10, 2022. URL: <<https://www.theverge.com/circuitbreaker/2019/8/7/20759344/>> (Year: 2019).*

Amazon, [online]; [retrieved on Feb. 3, 2020]; retrieved from the Internet <https://www.amazon.co.uk/HP-Pavilion-14-BK070SA-Portable-Graphics/dp/B075Y5Q26N> Amazon.com, "HP Pavilion 14-BK070SA 2FN69EA Intel 2400 MHz 8192 MB Portable, Flash Hard Drive HD Graphics 620," Amazon.Com, Feb. 3, 2020, pp. 1-5. Ultrabook Review, [online]; [retrieved on Feb. 3, 2020]; retrieved from the Internet <https://www.ultrabookreview.com/23479-asus-zenbook-ux433fn-review/Andrei-Girbea-Asus-ZenBook-14-UX433-review-UX433FN-Core-i7-8565U-MX150/> Ultrabook Review. Com, Jun. 28, 2019, pp. 1-33.

* cited by examiner

FIG.1

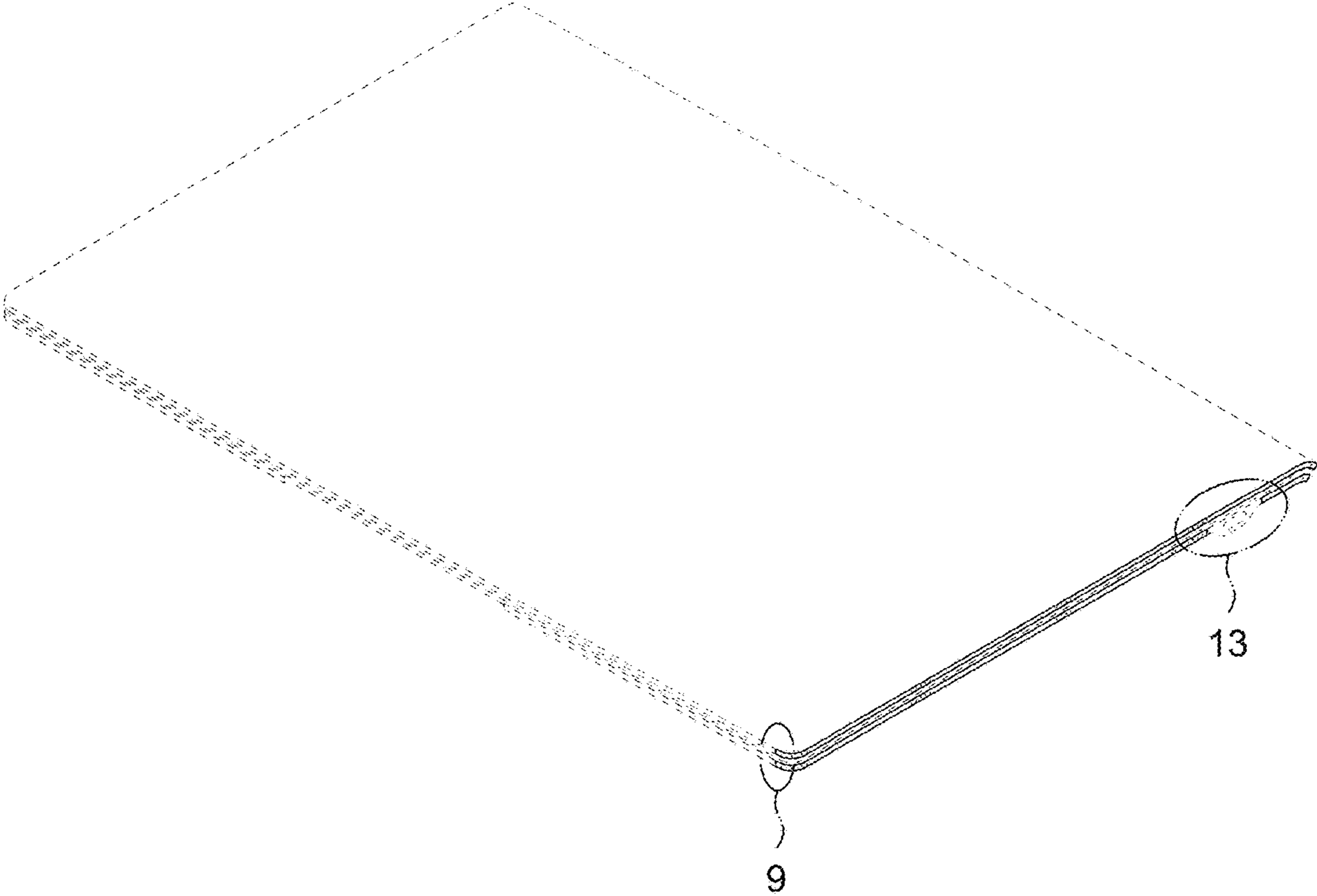


FIG.2

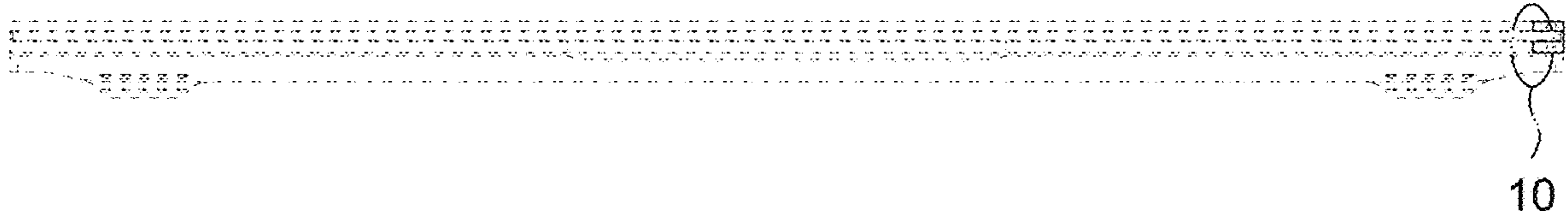


FIG.3

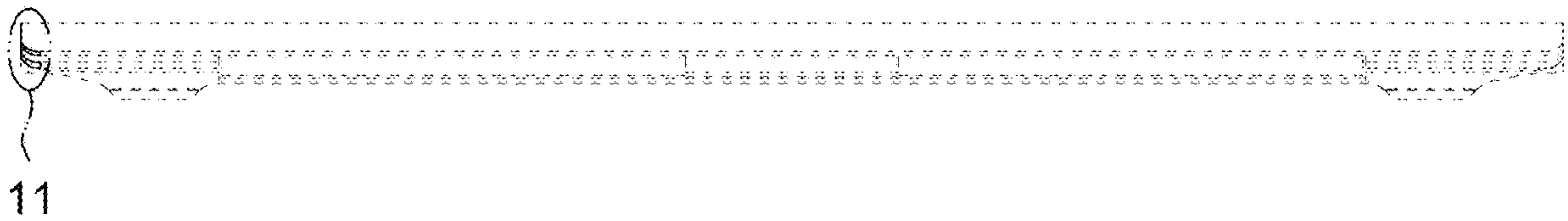


FIG.4

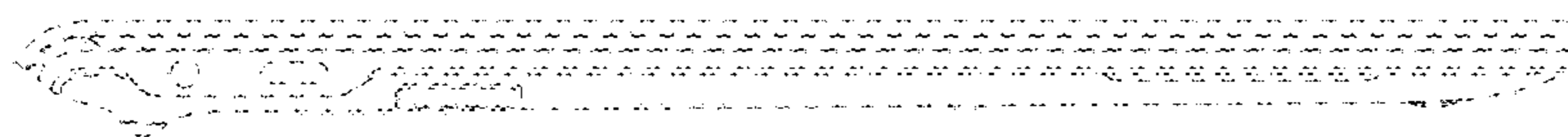


FIG.5

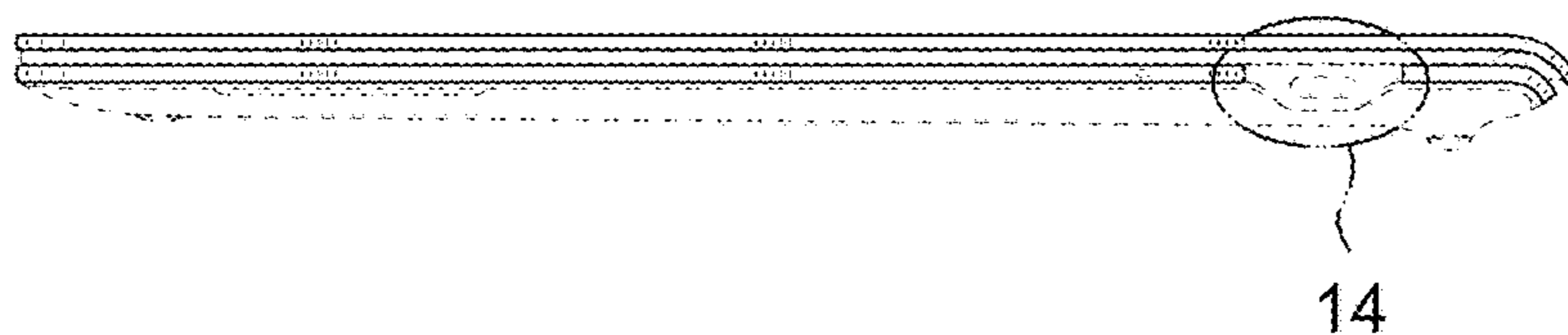


FIG.6

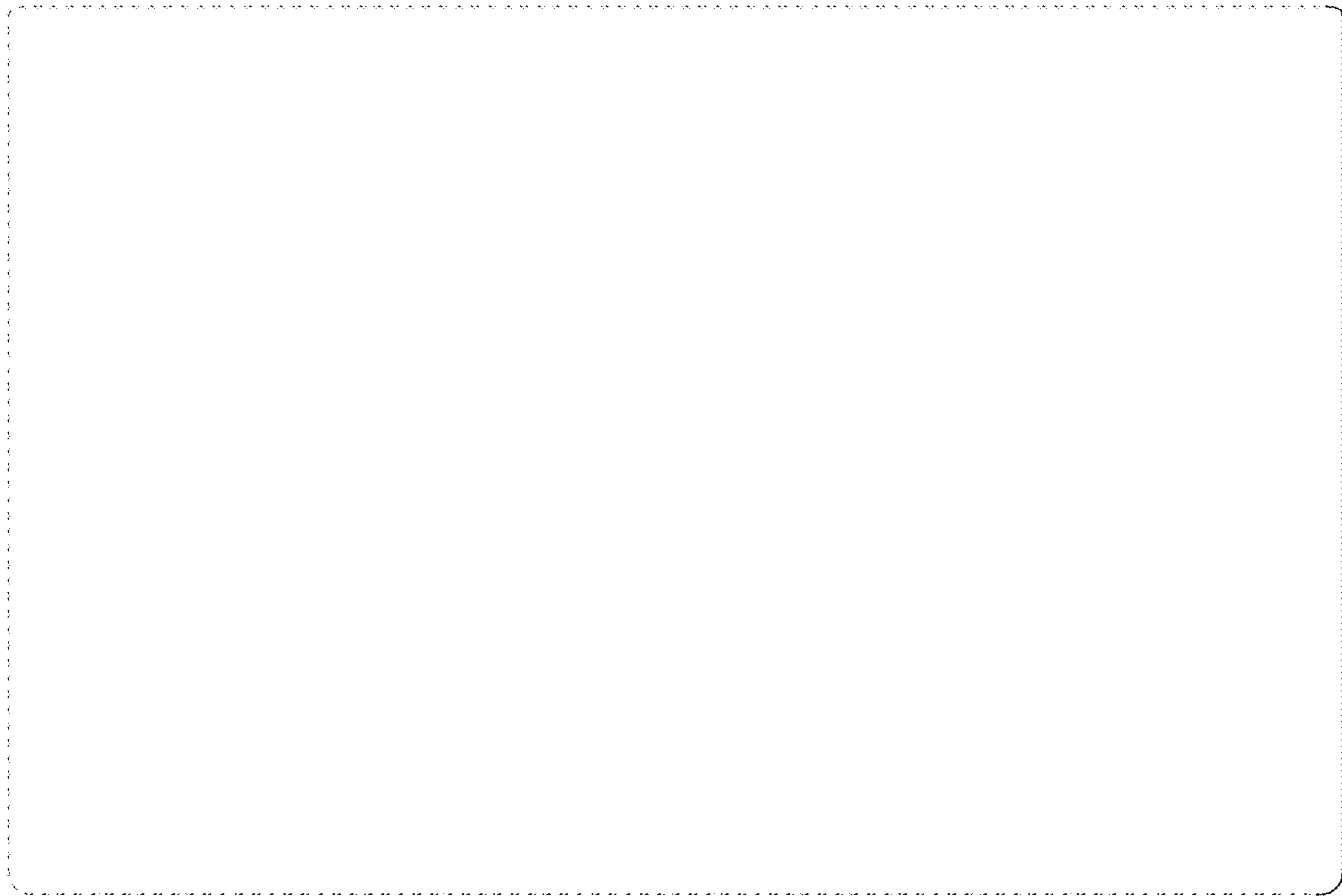


FIG.7



FIG.8

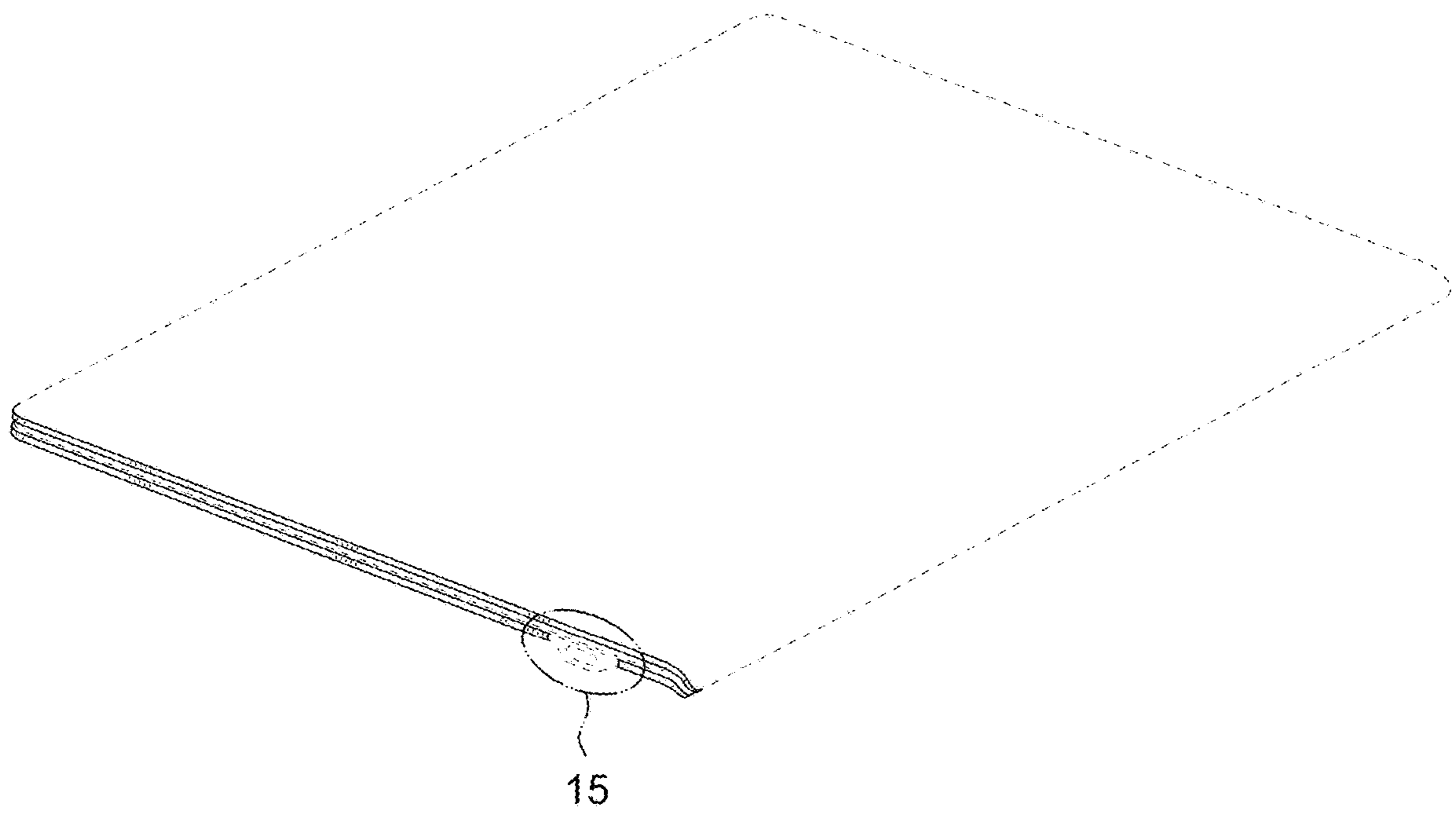


FIG.9

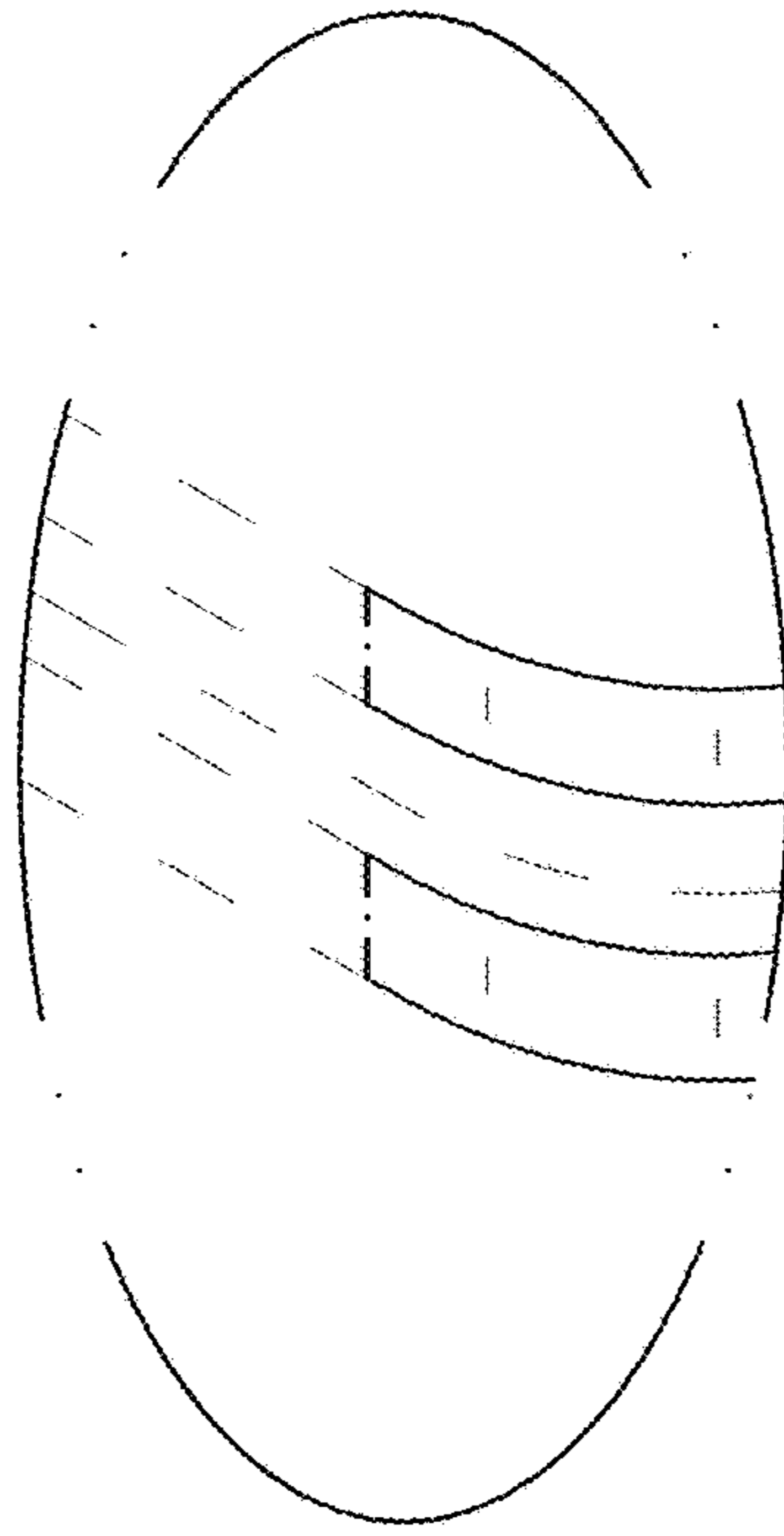


FIG.10

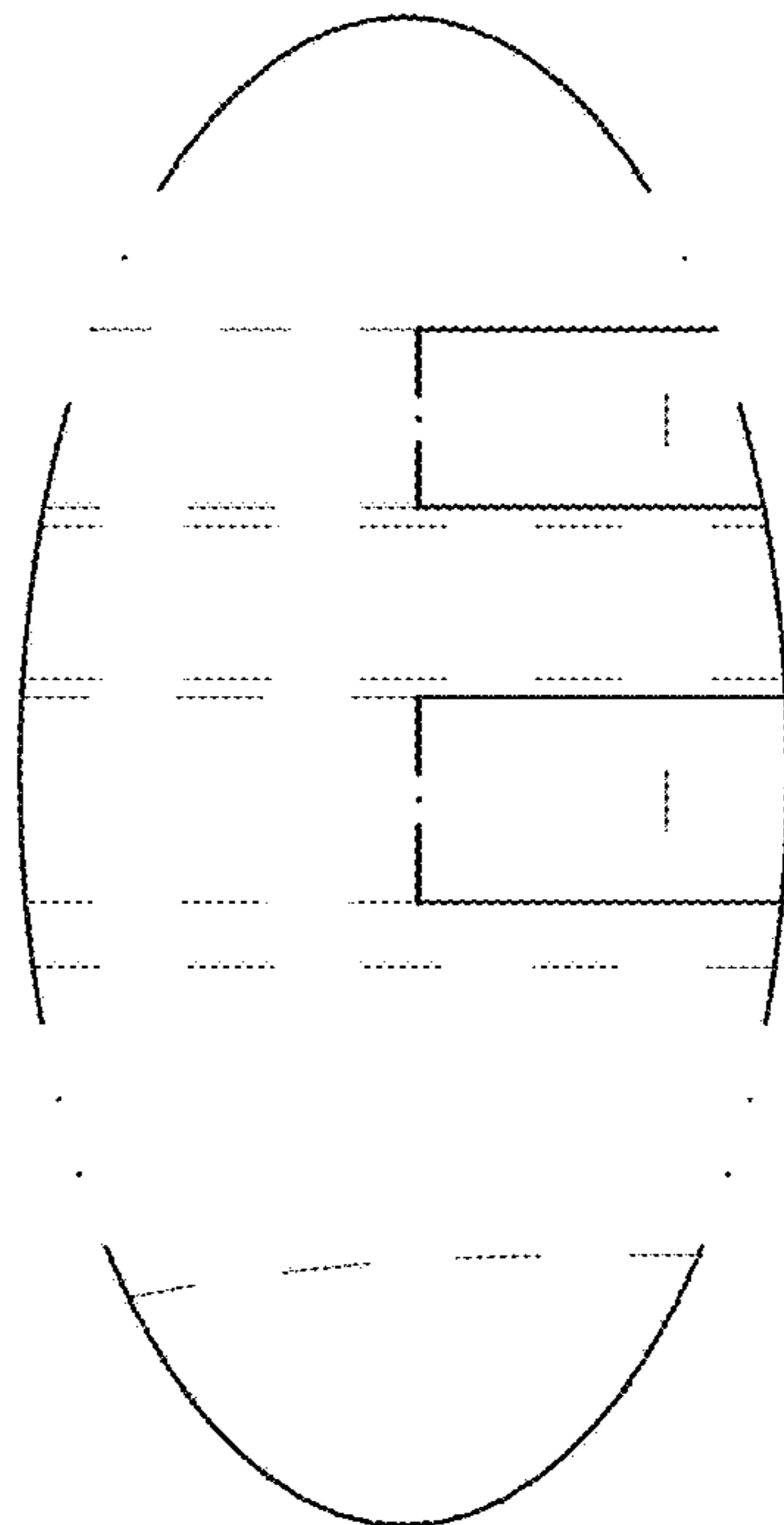


FIG.11

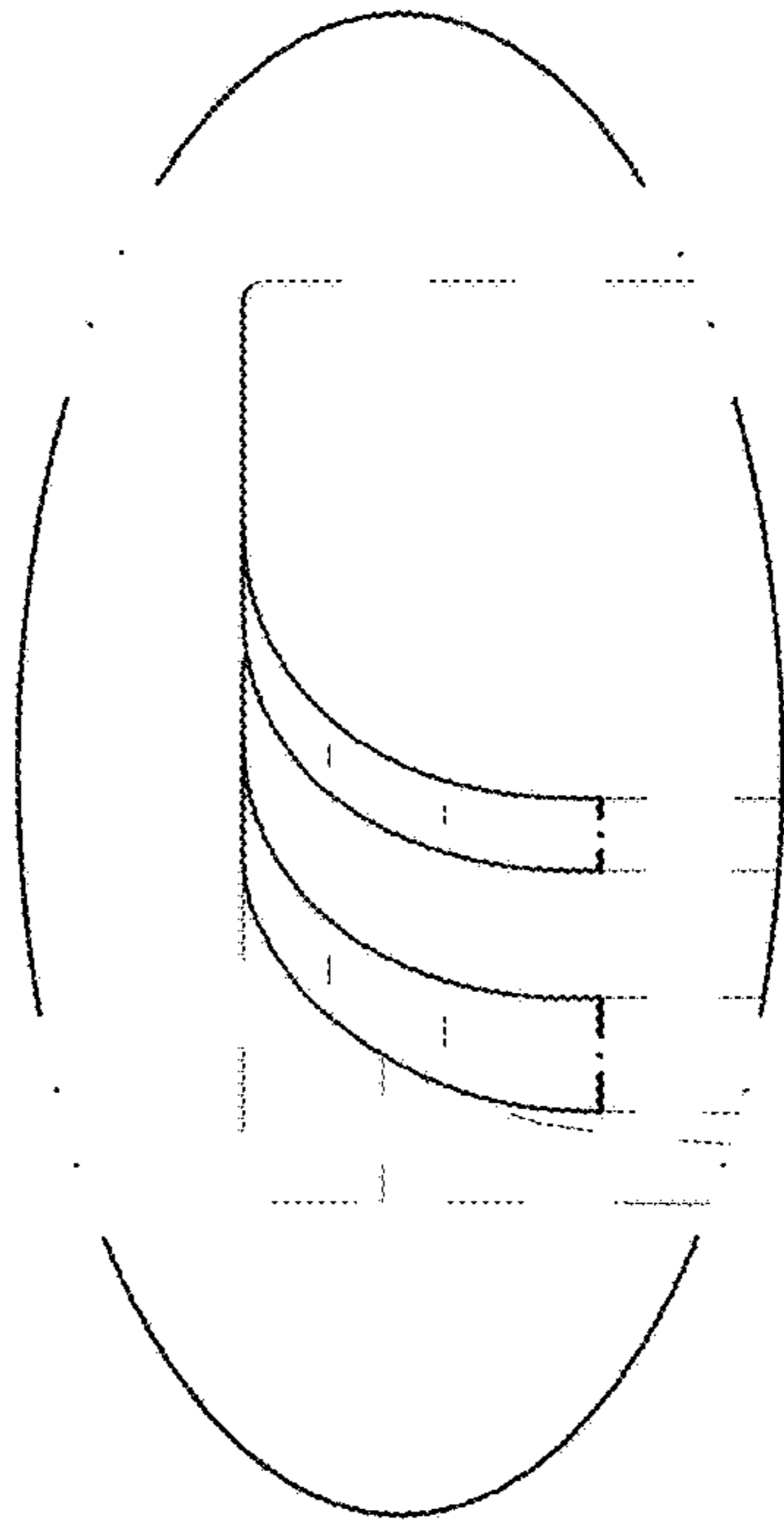


FIG.12

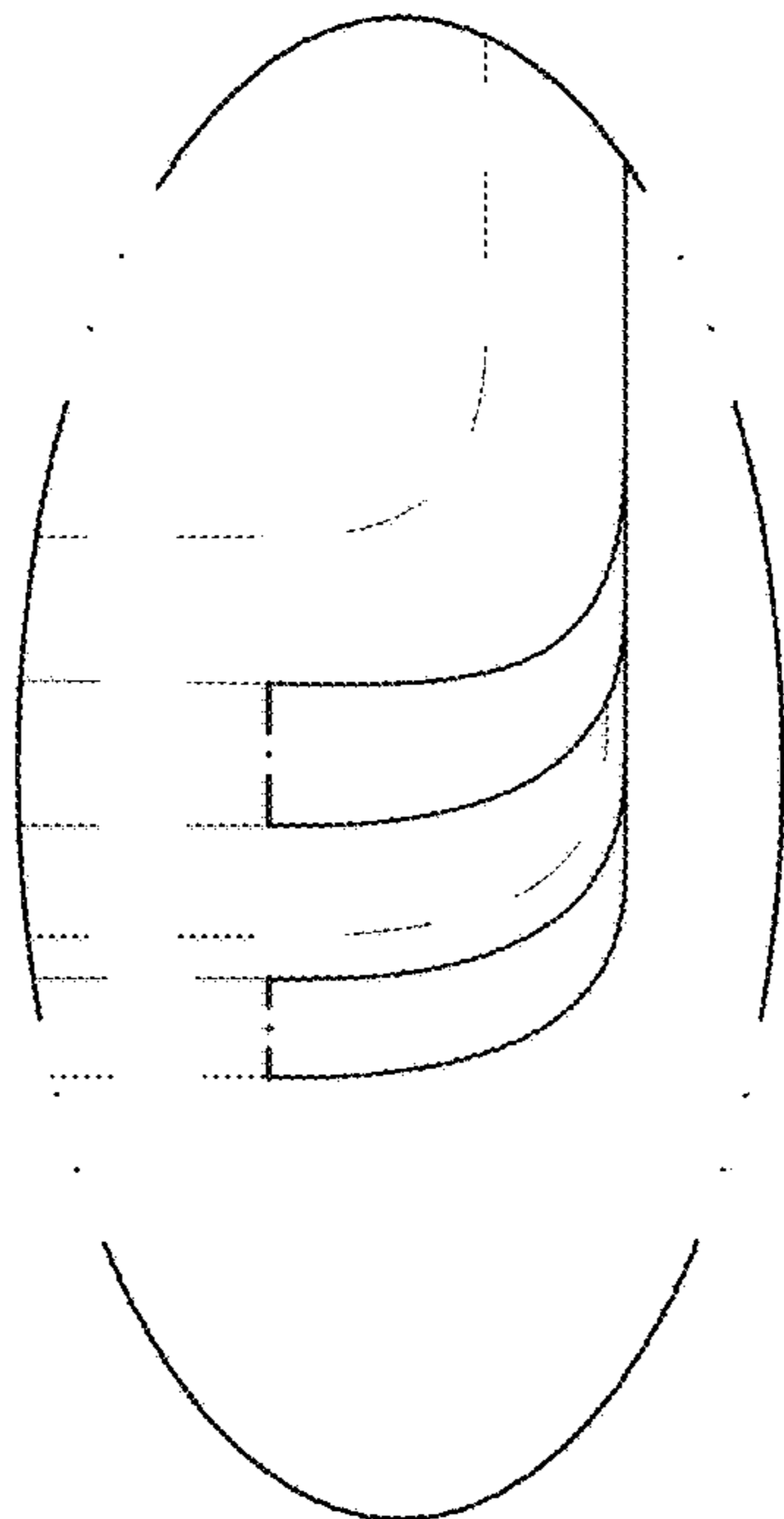


FIG.13

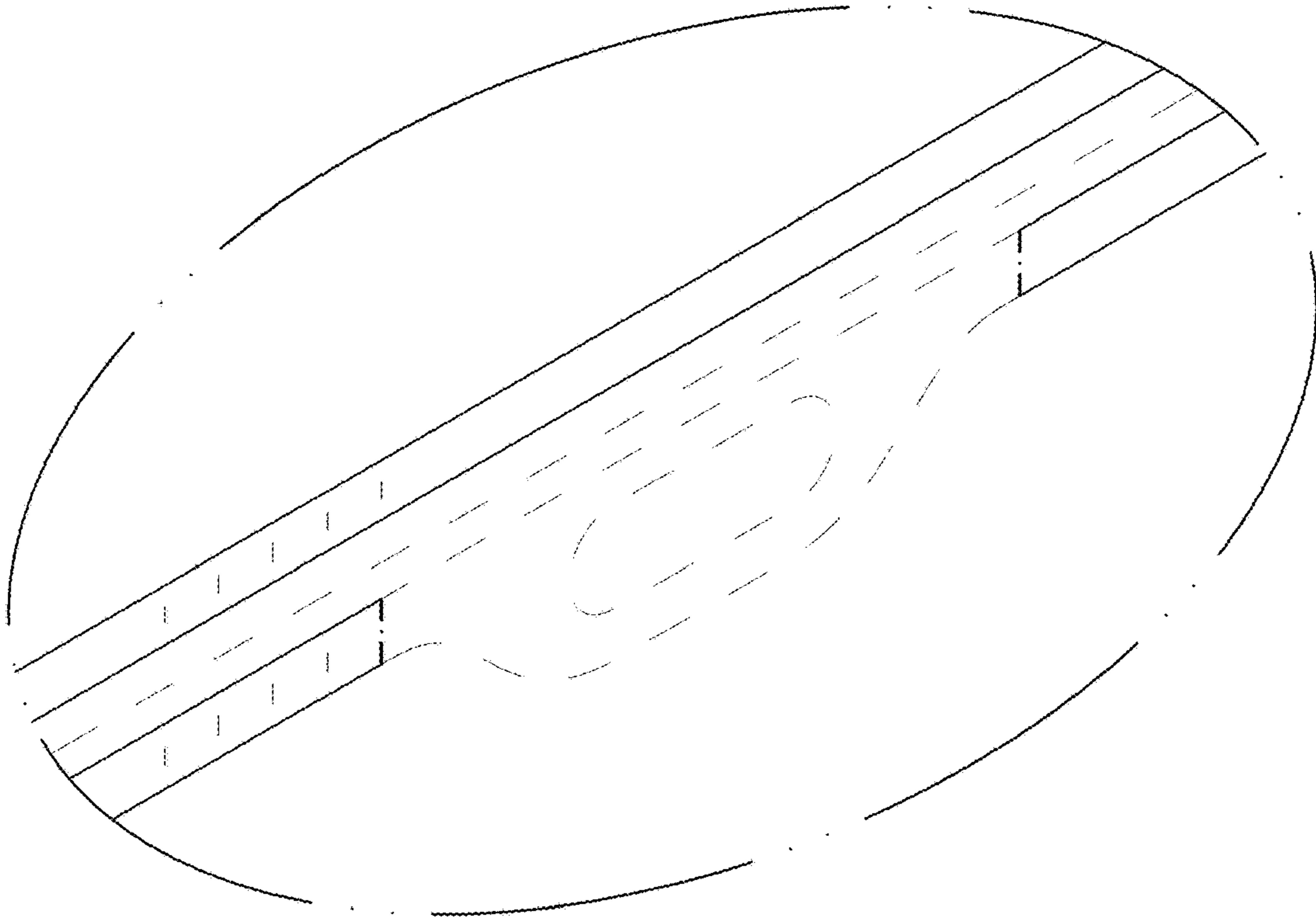


FIG.14

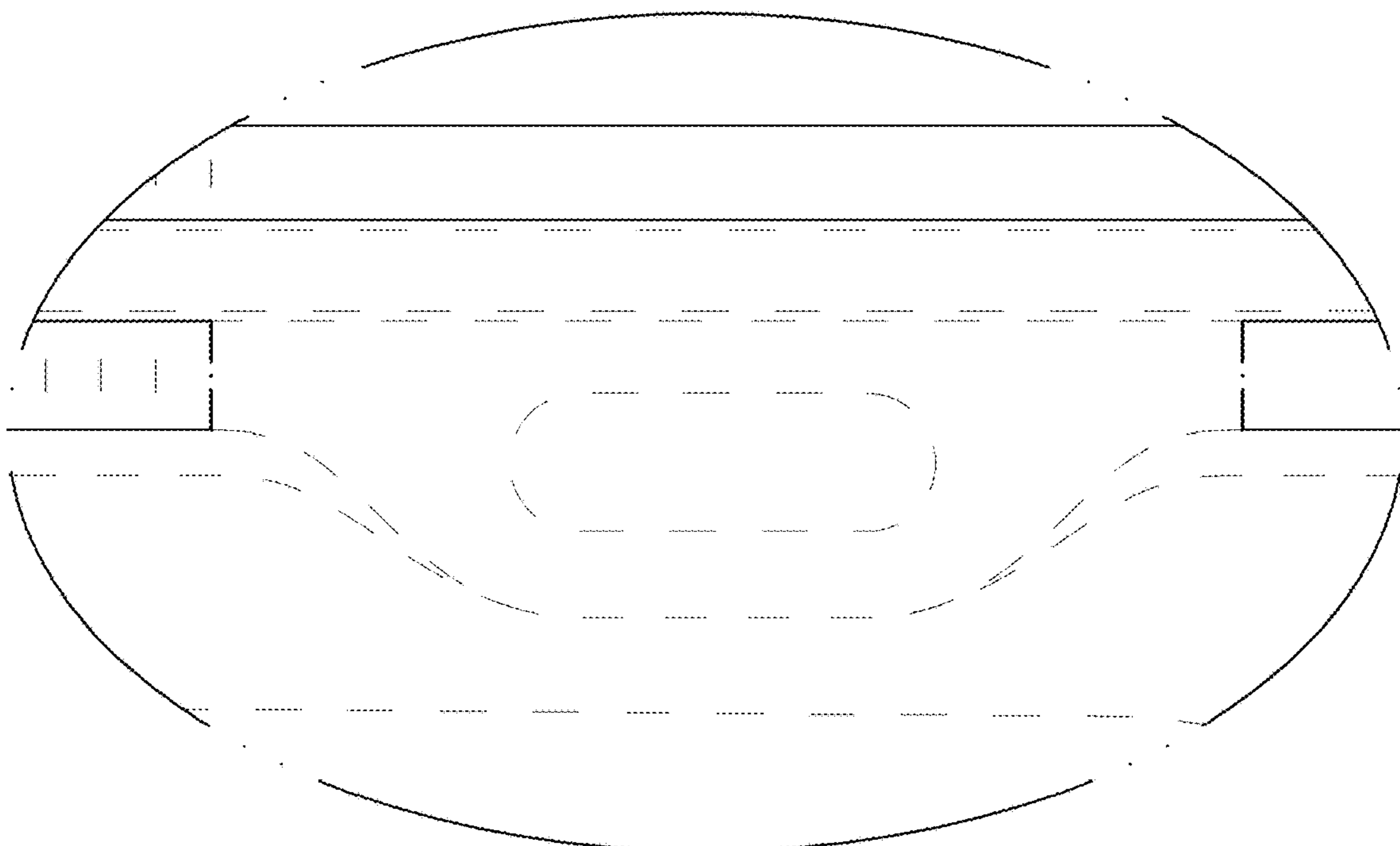


FIG.15

