



US00D963636S

(12) **United States Design Patent**  
**Gan**

(10) **Patent No.:** **US D963,636 S**

(45) **Date of Patent:** **\*\* Sep. 13, 2022**

(54) **MOBILE PHONE HOLDER**

(71) Applicant: **Jun Gan**, Guangdong (CN)

(72) Inventor: **Jun Gan**, Guangdong (CN)

(\*\*) Term: **15 Years**

(21) Appl. No.: **29/787,512**

(22) Filed: **Jun. 7, 2021**

(30) **Foreign Application Priority Data**

Jun. 1, 2021 (JP) ..... 2021-011747 D

(51) **LOC (13) Cl.** ..... **14-03**

(52) **U.S. Cl.**  
USPC ..... **D14/253**

(58) **Field of Classification Search**  
USPC ..... D14/251–253, 439, 240, 447; D3/218;  
D12/415  
CPC ..... H04M 1/04; H04M 1/0279; A45F  
2200/0516; A45F 5/00; A45F 2200/0525;  
A45C 2011/002; A45C 2011/003; B60R  
11/0241  
See application file for complete search history.

(56) **References Cited**

**U.S. PATENT DOCUMENTS**

D752,571 S \* 3/2016 Richter ..... D14/253  
D772,859 S \* 11/2016 Alesi ..... D14/253  
D784,923 S \* 4/2017 Song ..... D13/108  
9,969,450 B1 \* 5/2018 Lu ..... B62J 45/10  
D840,994 S \* 2/2019 Balmer ..... D14/253  
D840,995 S \* 2/2019 Balmer ..... D14/253  
D875,090 S \* 2/2020 Leeds-Frank ..... D14/253  
D877,688 S \* 3/2020 Liu ..... D12/415  
D881,200 S \* 4/2020 Leeds-Frank ..... D14/447  
D886,094 S \* 6/2020 Xu ..... D14/253  
D889,454 S \* 7/2020 Liu ..... D14/253  
D892,787 S 8/2020 Chen  
D895,601 S \* 9/2020 Liao ..... D14/253  
D897,333 S \* 9/2020 Liao ..... D14/253

D897,334 S \* 9/2020 Peng ..... D14/253  
D900,087 S \* 10/2020 Leeds-Frank ..... D14/253  
D903,652 S \* 12/2020 Qiu ..... D14/253  
D903,653 S \* 12/2020 Liu ..... D14/253  
D929,392 S \* 8/2021 Shi ..... D14/253  
D944,239 S \* 2/2022 Li ..... D12/415  
D945,409 S \* 3/2022 Tang ..... D14/253  
D945,410 S \* 3/2022 Tang ..... D14/253  
D949,841 S \* 4/2022 Qiu ..... D12/407  
D949,842 S \* 4/2022 Qiu ..... D12/407  
D950,543 S \* 5/2022 Zhang ..... D12/415

(Continued)

**OTHER PUBLICATIONS**

Tiakia 2022 Bike Phone Mount Holder, Amazon, Feb. 25, 2022.  
<[https://www.amazon.com/dp/B09TDL664Z/ref=cm\\_sw\\_em\\_r\\_mt\\_dp\\_XRDWPJ41EARAC1TFXVYA?encoding=UTF8&psc=1](https://www.amazon.com/dp/B09TDL664Z/ref=cm_sw_em_r_mt_dp_XRDWPJ41EARAC1TFXVYA?encoding=UTF8&psc=1)>(Year: 2022).\*

*Primary Examiner* — Janice Hallmark  
(74) *Attorney, Agent, or Firm* — ScienBiziP, P.C.

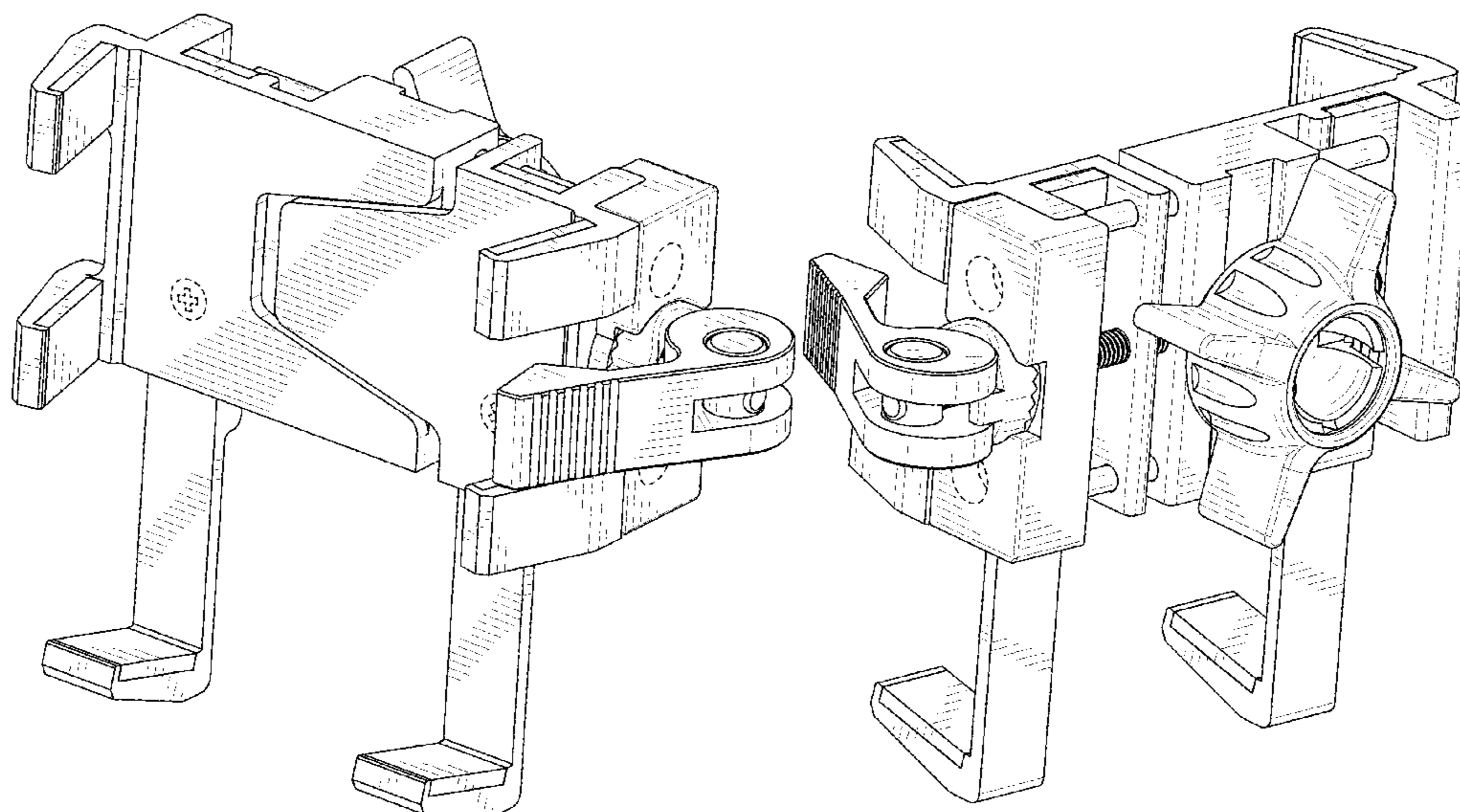
(57) **CLAIM**

The ornamental design for a mobile phone holder, as shown and described.

**DESCRIPTION**

FIG. 1 is a front, right, and top perspective view of a mobile phone holder, showing my design.  
FIG. 2 is a rear, right, and top perspective view thereof.  
FIG. 3 is a front elevation view thereof.  
FIG. 4 is a rear elevation view thereof.  
FIG. 5 is a left side elevation view thereof.  
FIG. 6 is a right side elevation view thereof.  
FIG. 7 is a top plan view thereof.  
FIG. 8 is a bottom plan view thereof; and,  
FIG. 9 is a front, right, and top perspective view of the mobile phone holder of FIG. 1, in an alternative position of use.

**1 Claim, 9 Drawing Sheets**



(56)

**References Cited**

U.S. PATENT DOCUMENTS

2010/0295228 A1\* 11/2010 Woody ..... B60R 11/0258  
269/254 R  
2020/0361396 A1\* 11/2020 Fox ..... B60R 11/02

\* cited by examiner

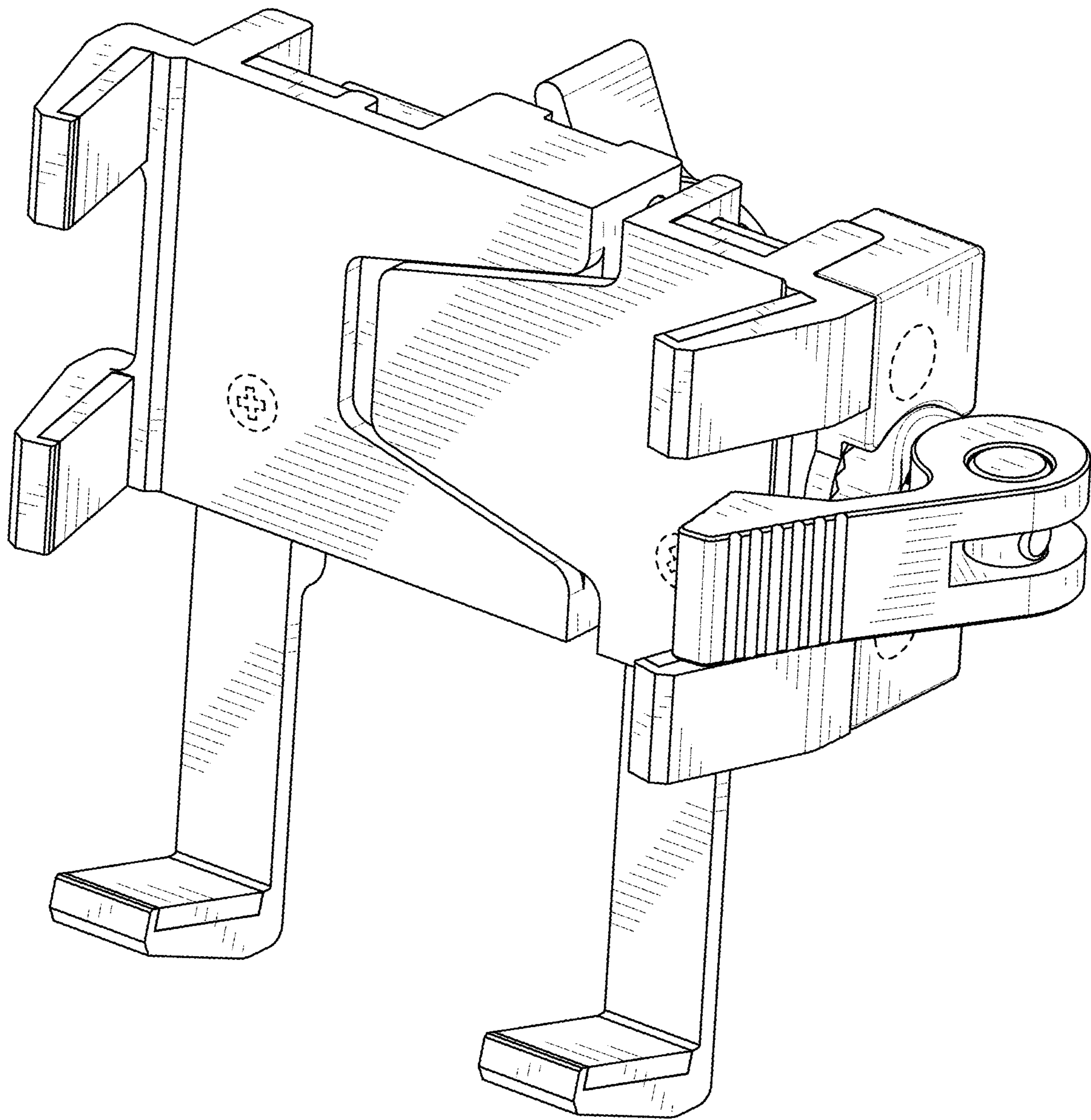


FIG. 1

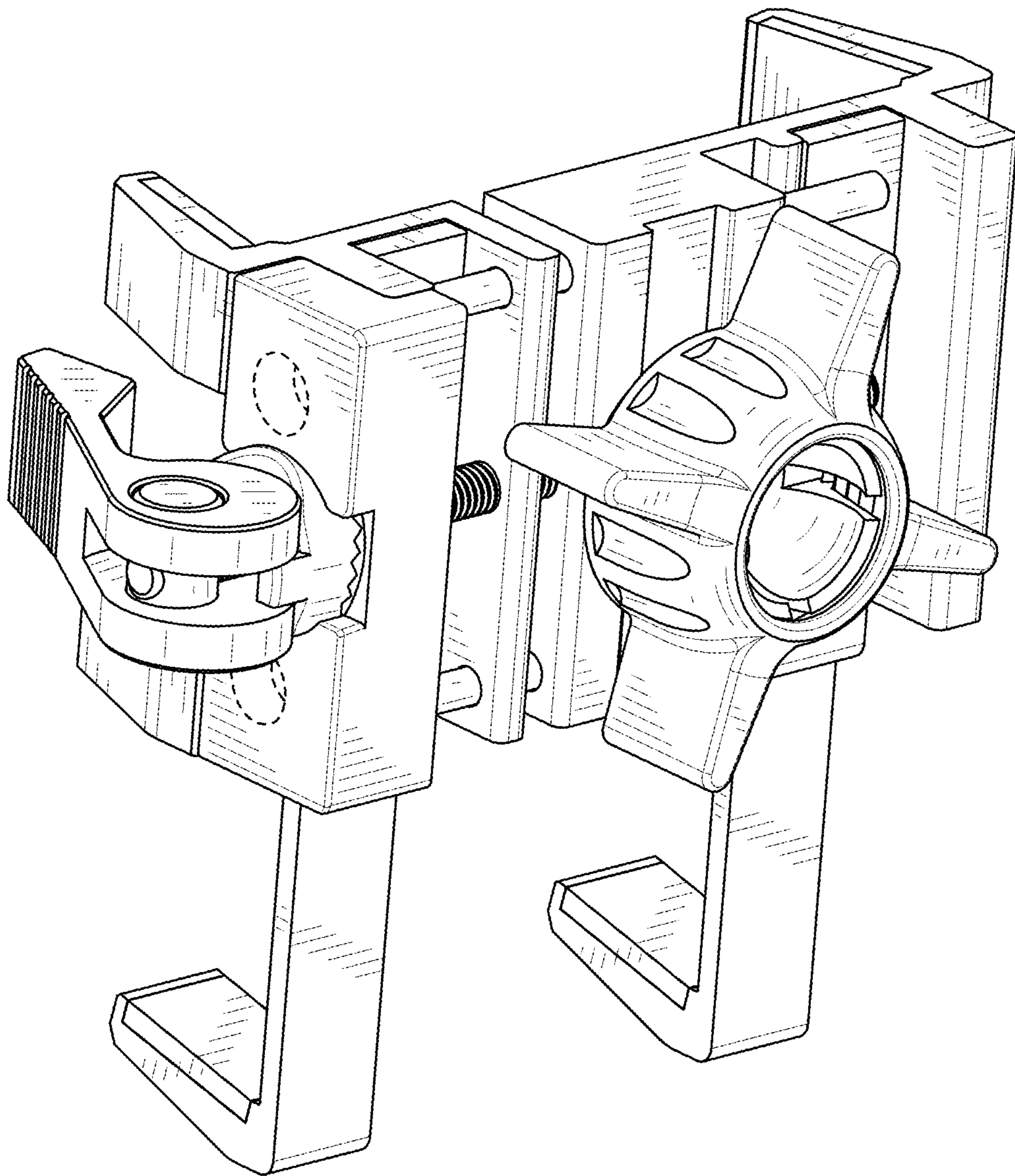


FIG. 2

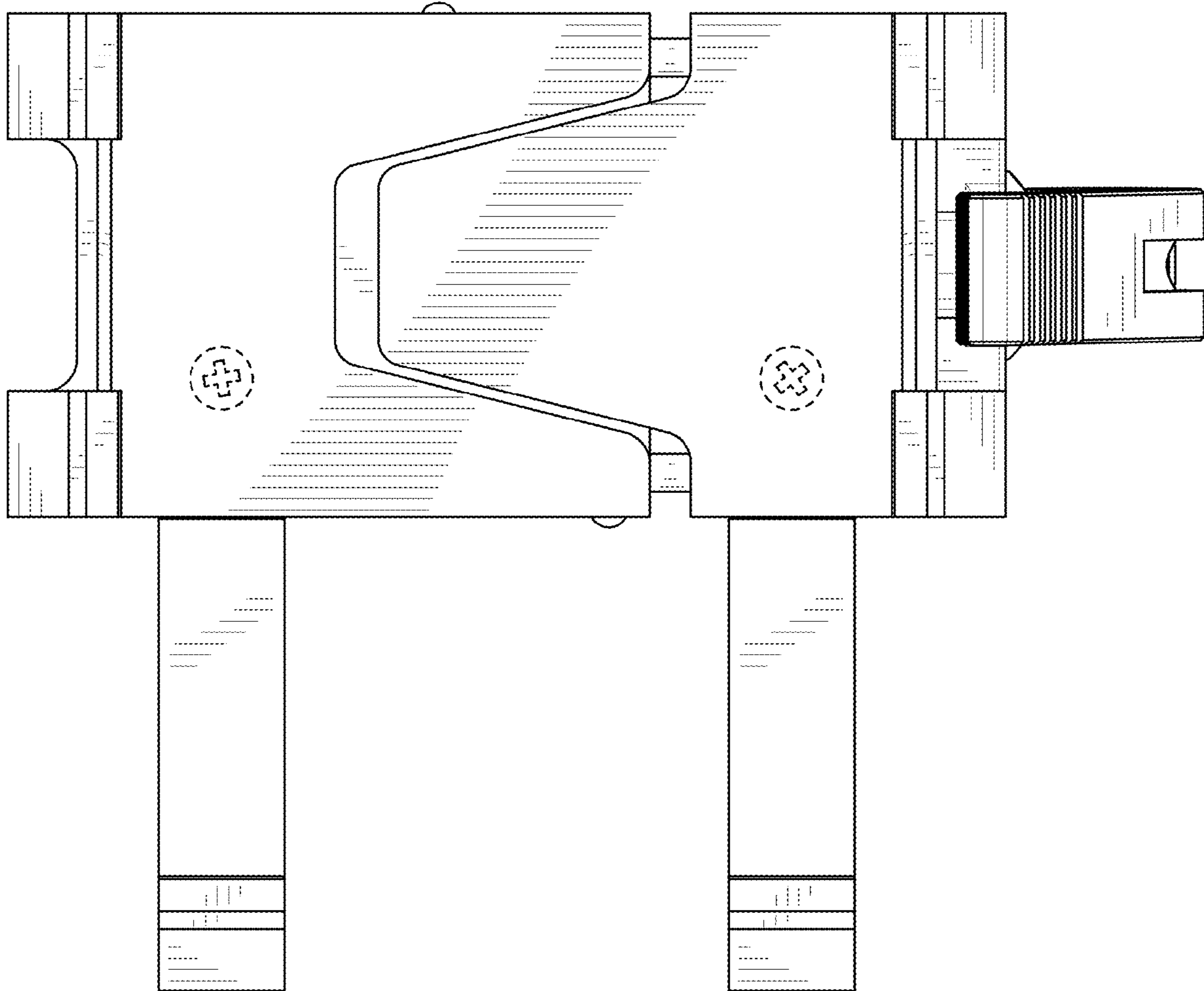


FIG. 3

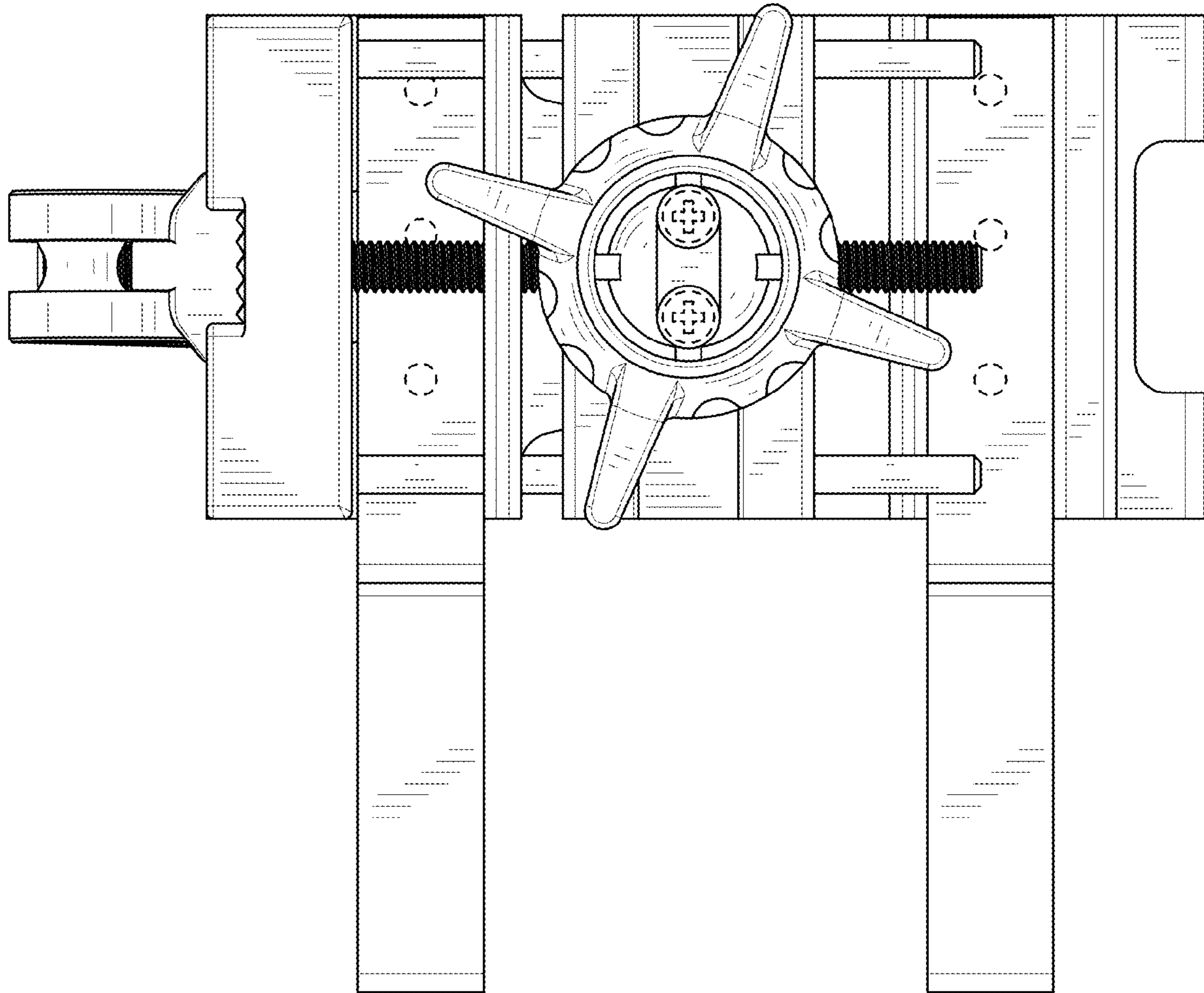


FIG. 4

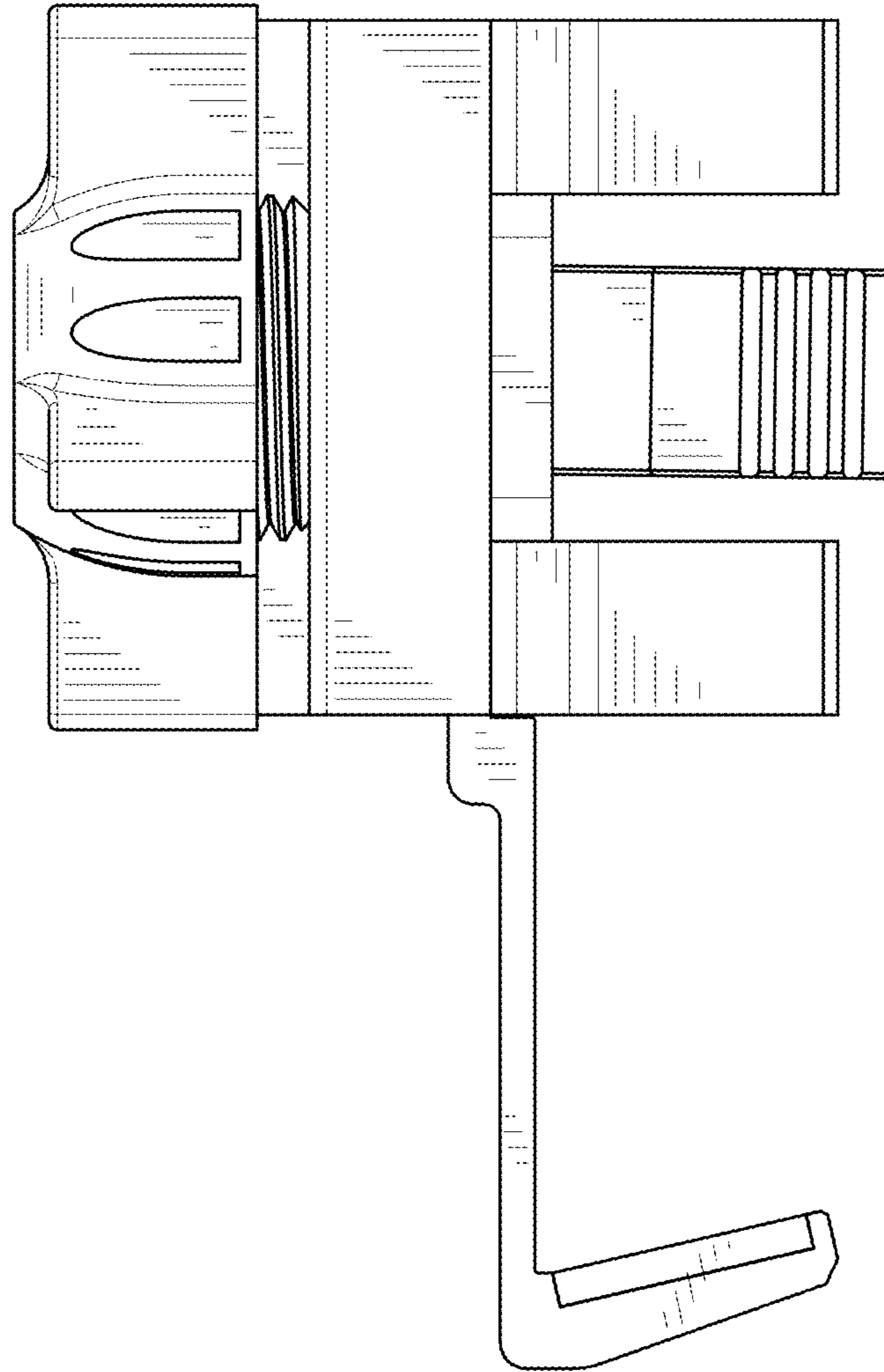


FIG. 5

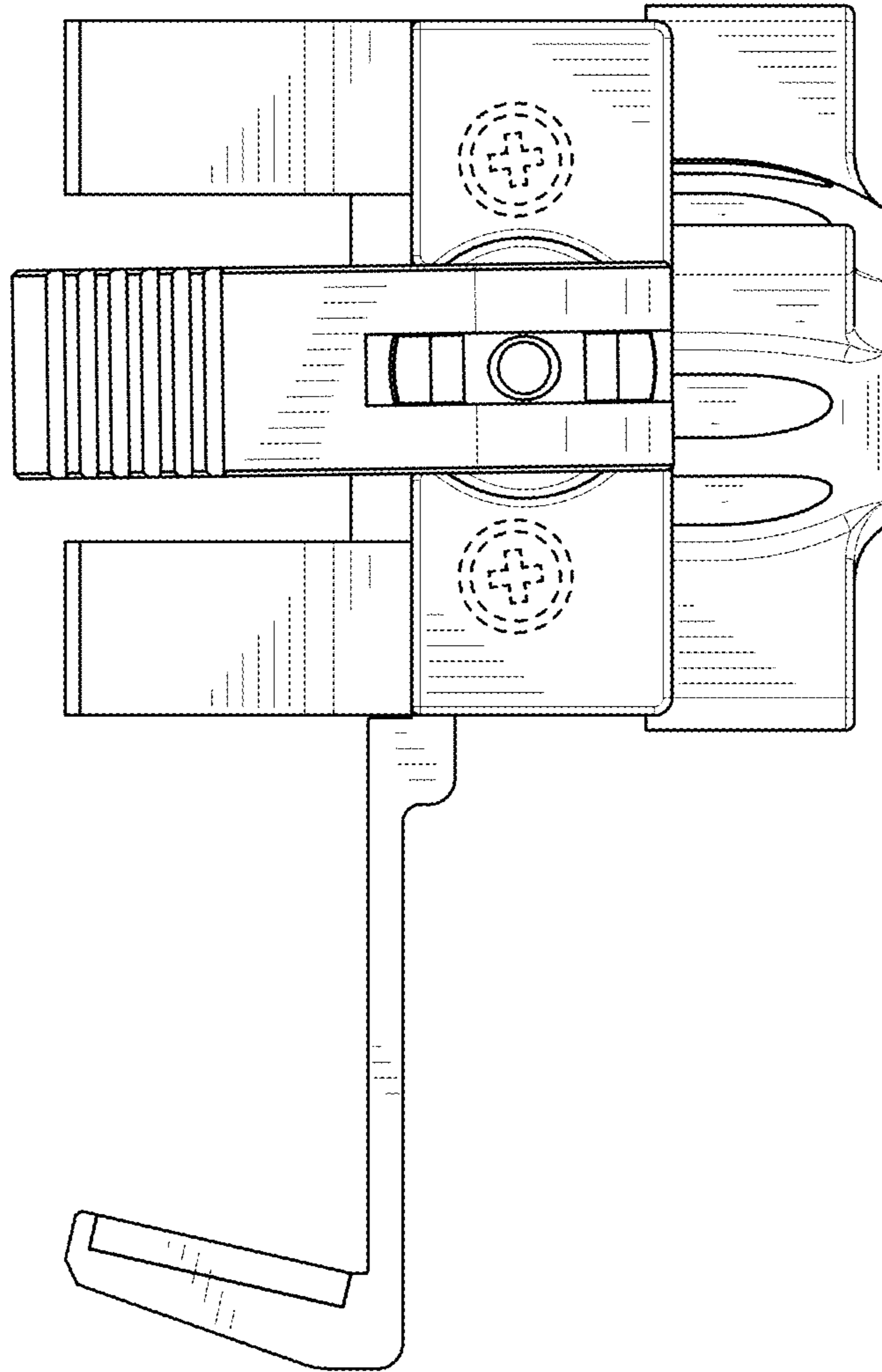


FIG. 6



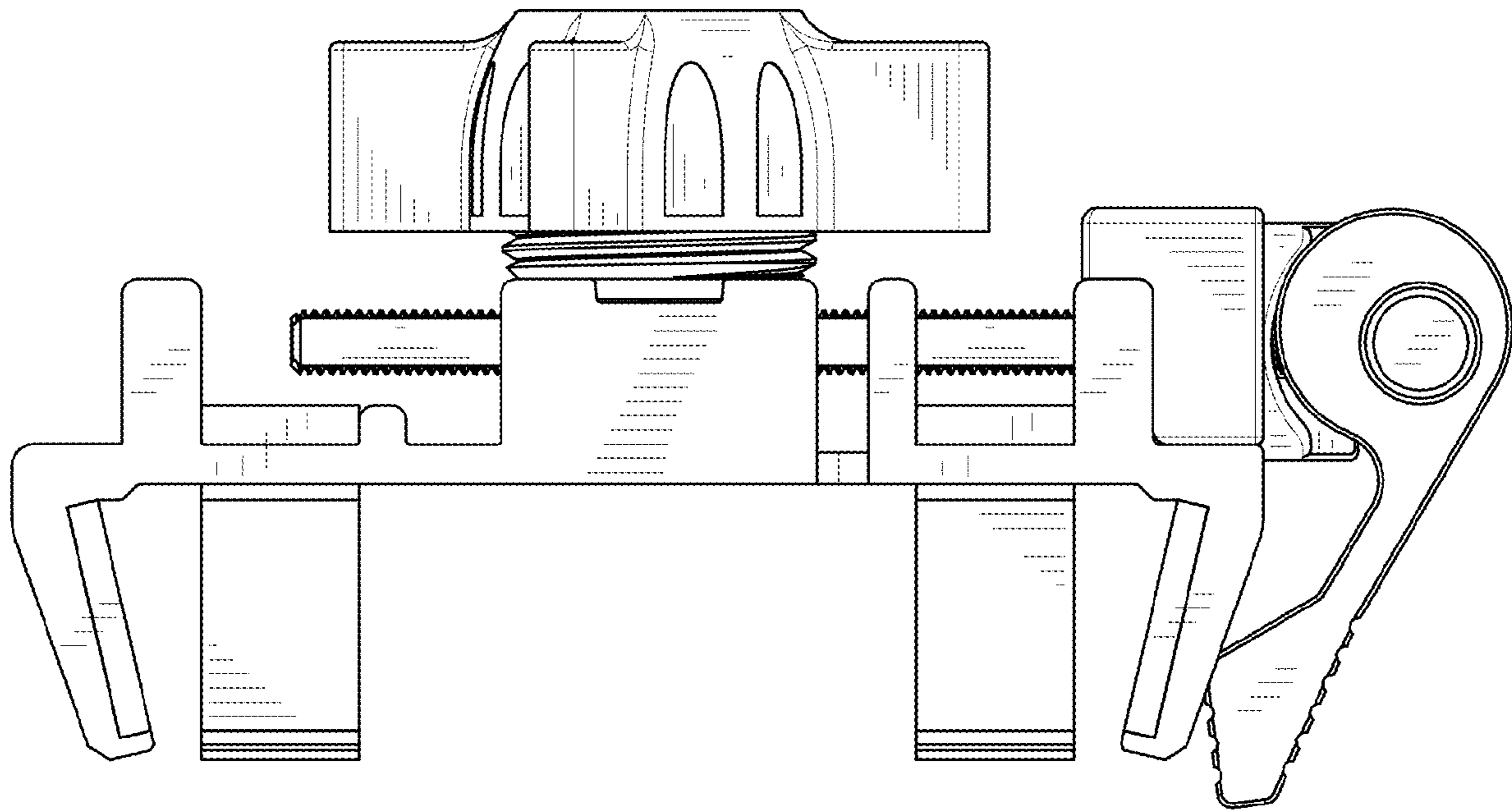


FIG. 7

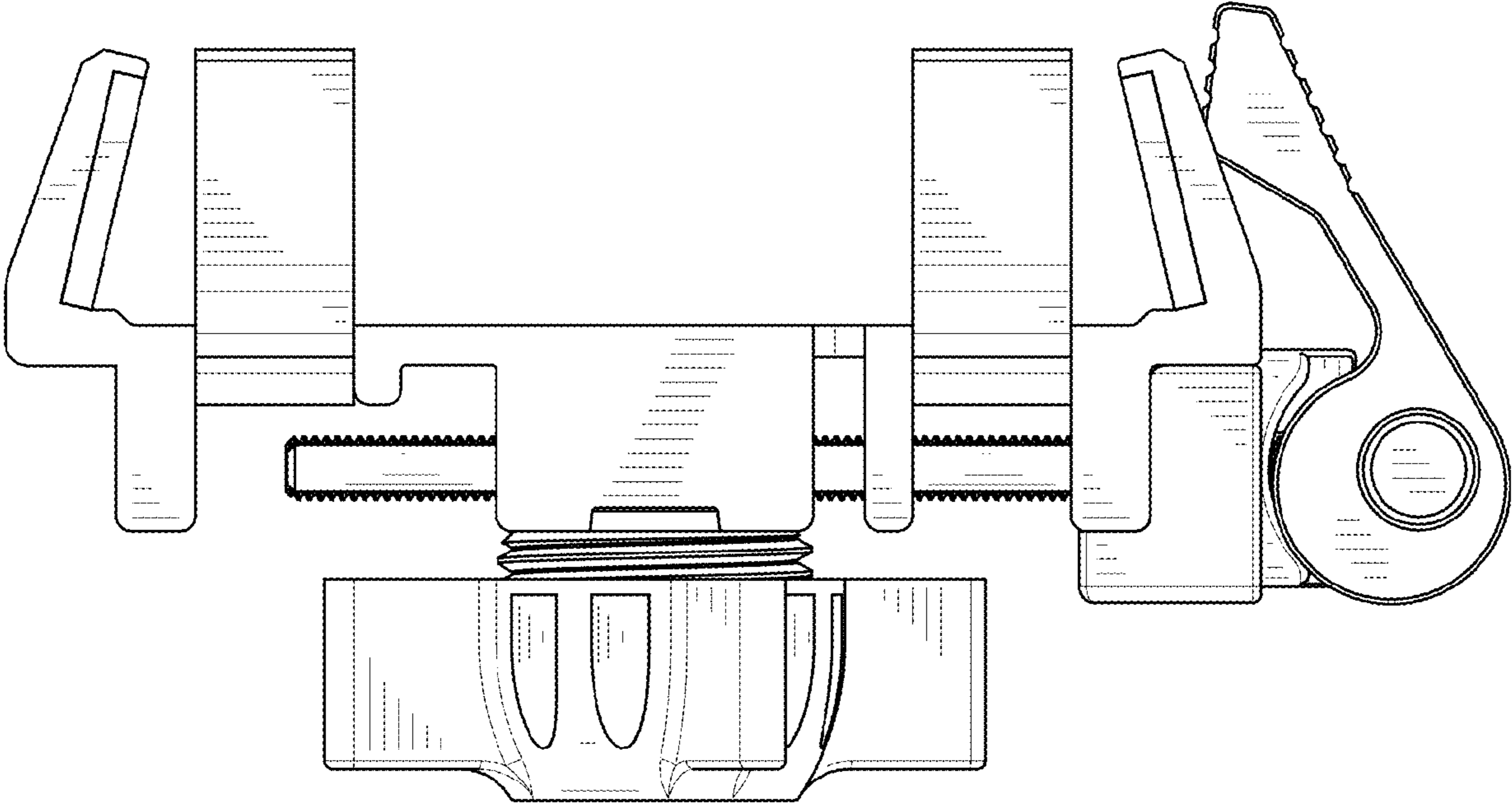


FIG. 8

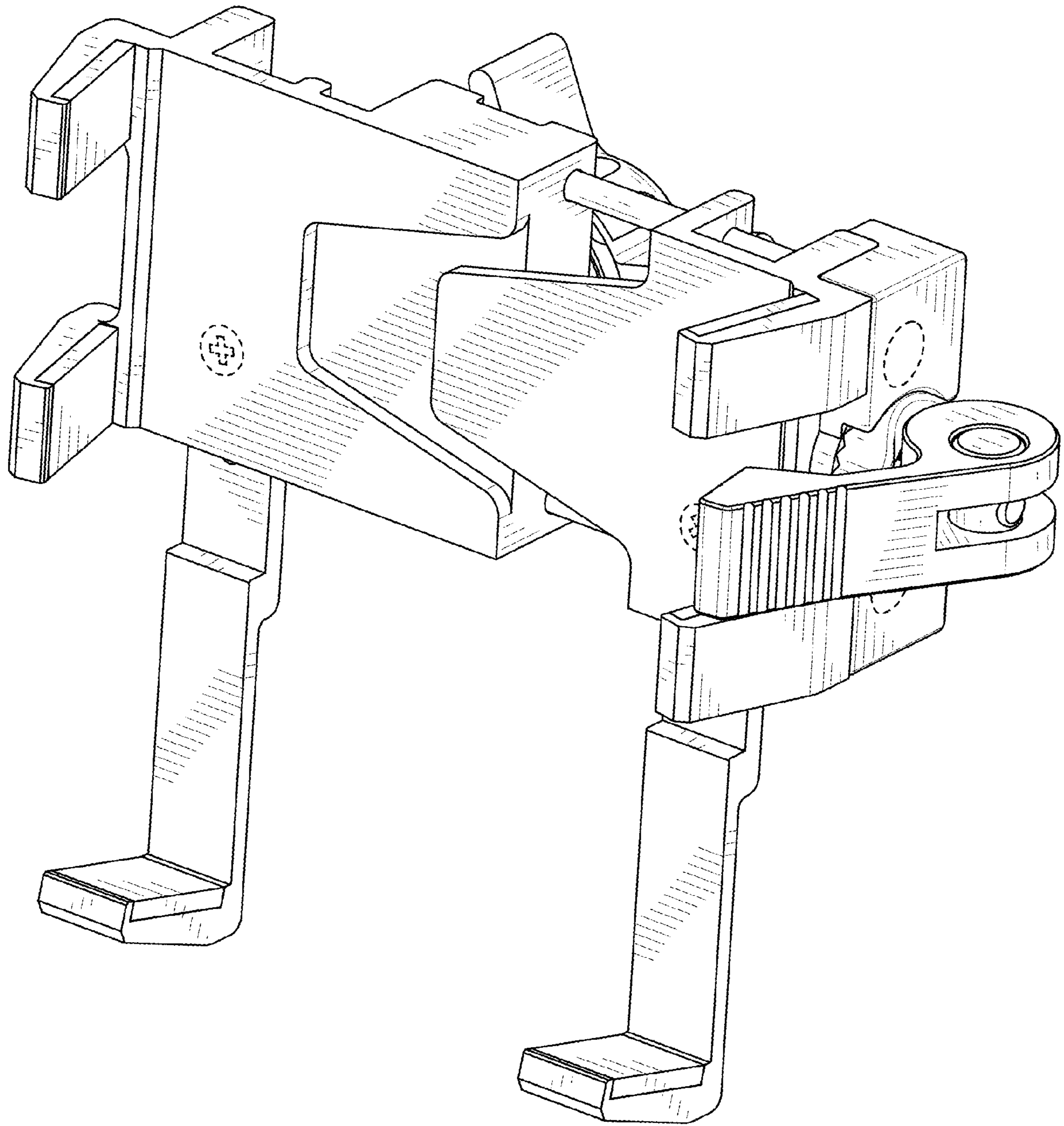


FIG. 9