



US00D963634S

(12) **United States Design Patent** (10) **Patent No.:** **US D963,634 S**
Lee (45) **Date of Patent:** **** Sep. 13, 2022**

(54) **COVER FOR ELECTRONIC COMMUNICATIONS DEVICE**
(71) Applicant: **ELAGO COMPANY CO., LTD.**,
Goyang-si (KR)
(72) Inventor: **Chanwoo Lee**, Goyang-si (KR)
(73) Assignee: **ELAGO COMPANY CO., LTD.**,
Goyang-si (KR)
(**) Term: **15 Years**
(21) Appl. No.: **29/804,154**
(22) Filed: **Aug. 18, 2021**
(51) **LOC (13) Cl.** **14-03**
(52) **U.S. Cl.**
USPC **D14/250**
(58) **Field of Classification Search**
USPC **D14/250**
(Continued)

(56) **References Cited**
U.S. PATENT DOCUMENTS
D716,784 S * 11/2014 Wen D14/250
D747,708 S 1/2016 Roberts et al.
(Continued)

FOREIGN PATENT DOCUMENTS
CN 303941405 11/2016
CN 304429413 12/2017
(Continued)

OTHER PUBLICATIONS
ELago phone cases, article date Sep. 2021, site visited Jul. 20, 2022,
<https://9to5toys.com/2021/09/16/elago-iphone-13-cases-magsafe/>.*

Primary Examiner — John R Yeh
(74) *Attorney, Agent, or Firm* — Paratus Law Group,
PLLC

(57) **CLAIM**
The ornamental design for a cover for electronic communi-
cations device, as shown and described.

DESCRIPTION
FIG. 1 is a front, top, and right side perspective view of a cover for electronic communications device, showing a first embodiment of my new design;
FIG. 2 is a front view of the first embodiment;
FIG. 3 is a back view of the first embodiment;
FIG. 4 is a left side view of the first embodiment;
FIG. 5 is a right side view of the first embodiment;
FIG. 6 is a top view of the first embodiment;
FIG. 7 is a bottom view of the first embodiment;
FIG. 8 is a front, top, and left side perspective view of the first embodiment;
FIG. 9 is a back, top, and left side perspective view of the first embodiment;
FIG. 10 is a back, bottom, and right side perspective view of the first embodiment;
FIG. 11 is a front, top, and right side perspective view of a cover for electronic communications device, showing a second embodiment of my new design;
FIG. 12 is a front view of the second embodiment;
FIG. 13 is a back view of the second embodiment;
FIG. 14 is a left side view of the second embodiment;
FIG. 15 is a right side view of the second embodiment;
FIG. 16 is a top view of the second embodiment;
FIG. 17 is a bottom view of the second embodiment;
FIG. 18 is a front, top, and left side perspective view of the second embodiment;
FIG. 19 is a back, top, and left side perspective view of the second embodiment;
FIG. 20 is a back, bottom, and right side perspective view of the second embodiment;
FIG. 21 is a front, top, and right side perspective view of a cover for electronic communications device, showing a third embodiment of my new design;
FIG. 22 is a front view of the third embodiment;
FIG. 23 is a back view of the third embodiment;
FIG. 24 is a left side view of the third embodiment;
FIG. 25 is a right side view of the third embodiment;
FIG. 26 is a top view of the third embodiment;

(Continued)

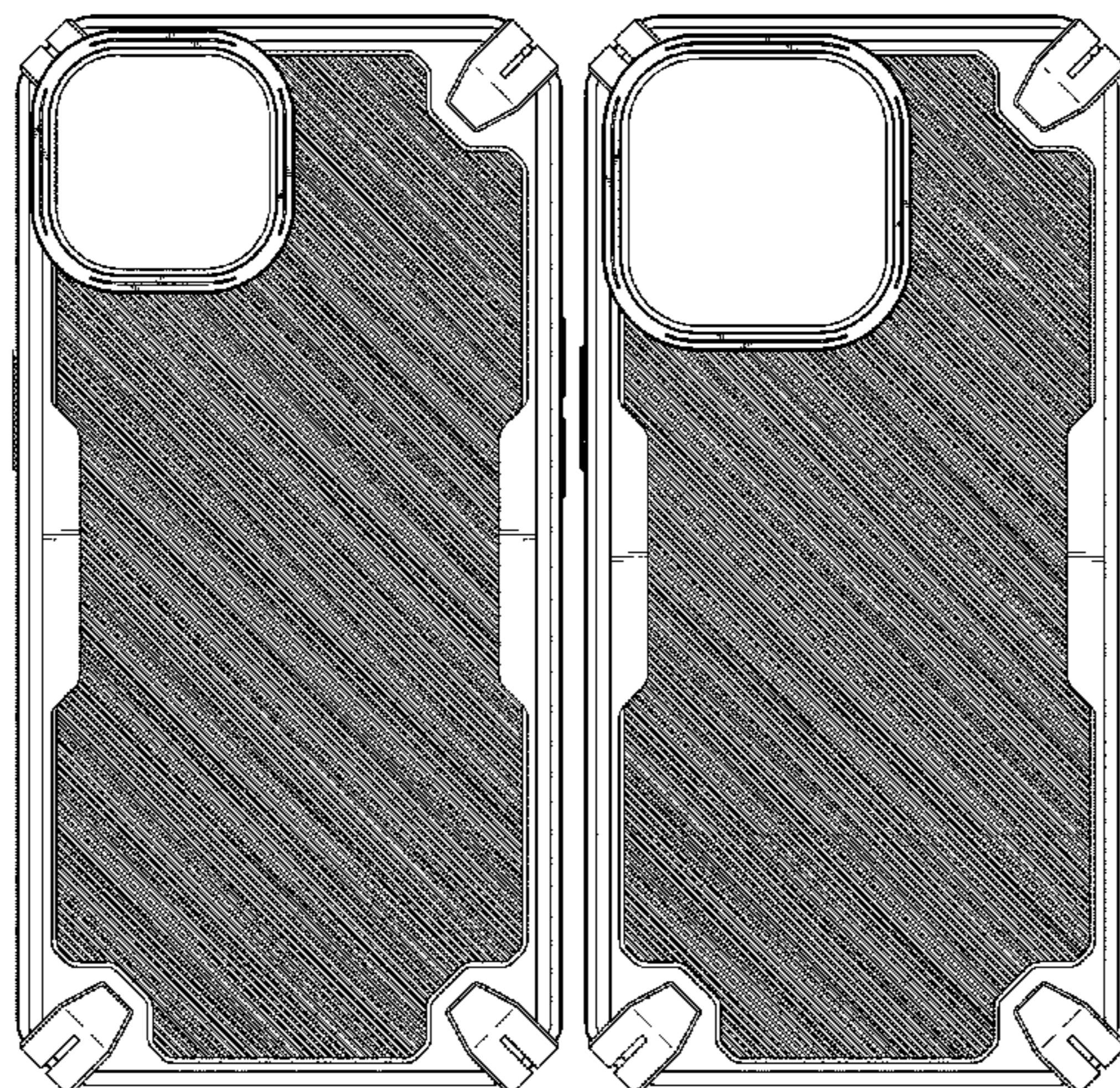


FIG. 27 is a bottom view of the third embodiment;
 FIG. 28 is a front, top, and left side perspective view of the third embodiment;
 FIG. 29 is a back, top, and left side perspective view of the third embodiment; and,
 FIG. 30 is a back, bottom, and right side perspective view of the third embodiment.

1 Claim, 24 Drawing Sheets

(58) **Field of Classification Search**

CPC A45C 11/00; H04B 1/3888; H04M 1/18
 See application file for complete search history.

(56) **References Cited**

U.S. PATENT DOCUMENTS

D750,610 S * 3/2016 Chen D14/250
 D754,652 S * 4/2016 Roberts D14/250
 D755,772 S 5/2016 Sasaki et al.
 D767,552 S 9/2016 Sasaki et al.
 D802,551 S 11/2017 Hunt
 D806,082 S 12/2017 Armstrong et al.
 D820,820 S 6/2018 Ahn
 D824,893 S 8/2018 Ahn
 10,084,502 B2 9/2018 Gandhi et al.
 D842,292 S 3/2019 Ahn
 D842,293 S 3/2019 Ahn
 D843,364 S 3/2019 Sasaki et al.
 D884,690 S * 5/2020 Kim D14/250
 D891,414 S 7/2020 Kim
 D896,212 S * 9/2020 Wang D14/250

D904,385 S * 12/2020 Weng D14/250
 D905,679 S * 12/2020 Kim D14/250
 D907,623 S * 1/2021 Kwon D14/250
 D909,359 S * 2/2021 Kim D14/250
 D912,035 S 3/2021 Lee
 D915,379 S * 4/2021 Kim D14/250
 D915,384 S * 4/2021 Kim D14/250
 D917,445 S 4/2021 Li
 D940,698 S * 1/2022 Qu D14/250
 D948,494 S * 4/2022 Huang D14/250
 D954,695 S * 6/2022 Deng D14/250
 2016/0080022 A1 * 3/2016 Radmard H04B 1/3888
 455/575.8
 2016/0173158 A1 * 6/2016 Day A45C 11/00
 455/575.8
 2020/0015558 A1 * 1/2020 Kane A45C 11/00
 2021/0119660 A1 * 4/2021 Yu A45C 13/008
 2021/0409058 A1 * 12/2021 Johnson A45C 1/06
 2022/0209809 A1 * 6/2022 Wright H04M 1/035

FOREIGN PATENT DOCUMENTS

CN 107877002 A * 4/2018
 CN 305729999 4/2020
 CN 305770045 5/2020
 CN 305814987 6/2020
 CN 305815096 6/2020
 CN 305881748 6/2020
 CN 305899910 7/2020
 CN 305899936 7/2020
 CN 307326601 * 5/2022
 EM EU 006589206-0002 7/2019
 EM EU 007242276-0001 11/2019
 EM EU 007409727-0002 1/2020
 EM EU 008010573-0001 7/2020

* cited by examiner

FIG. 1

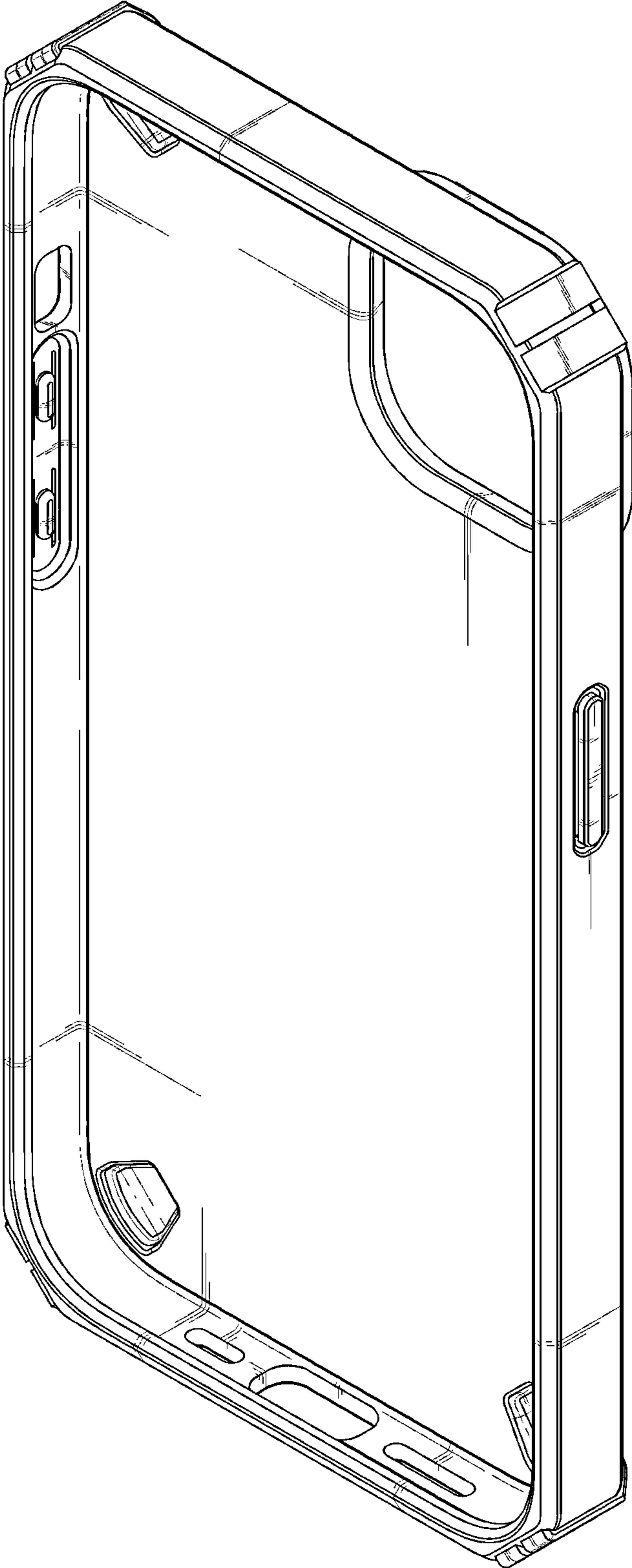


FIG. 2

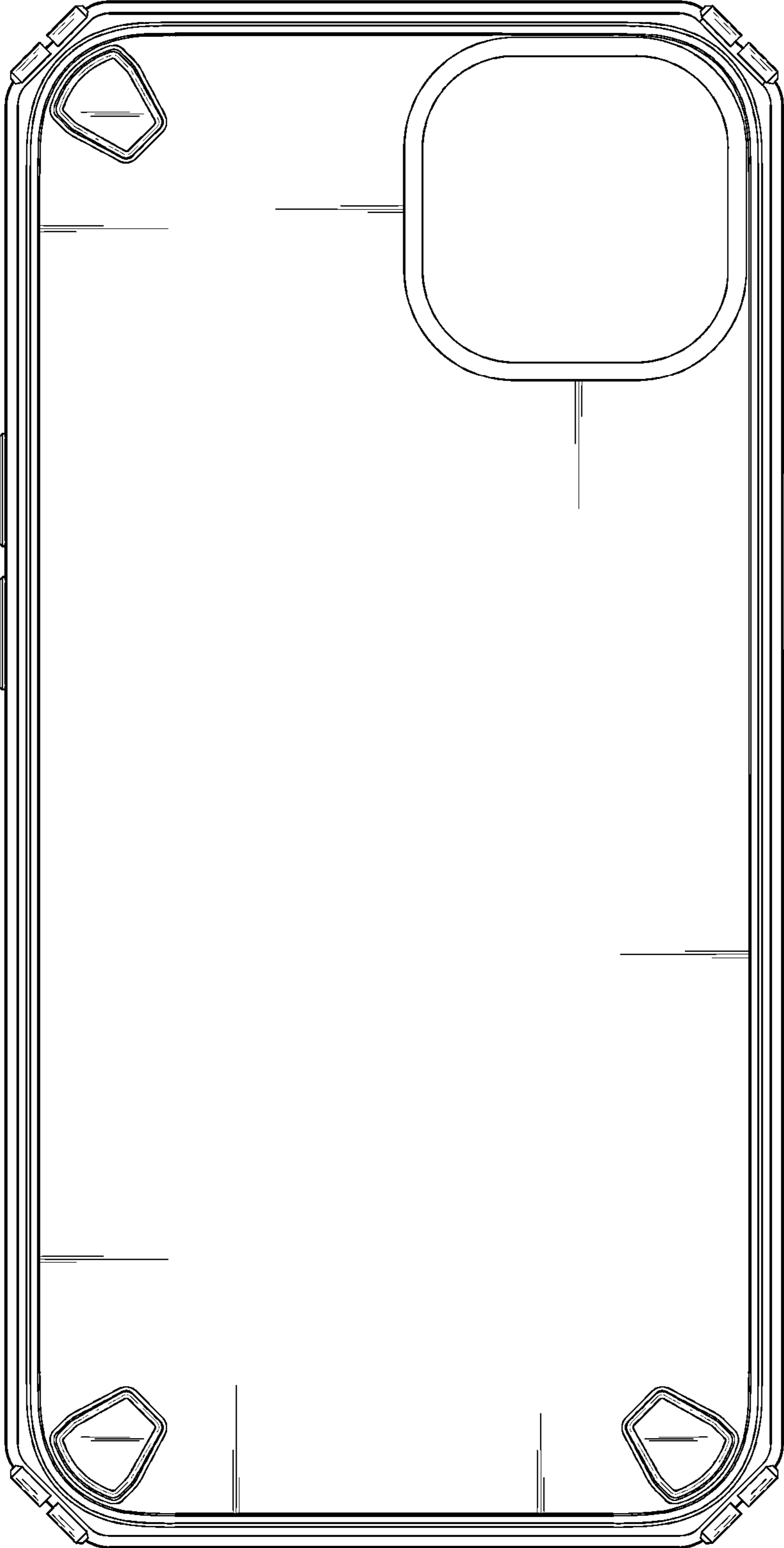


FIG. 3

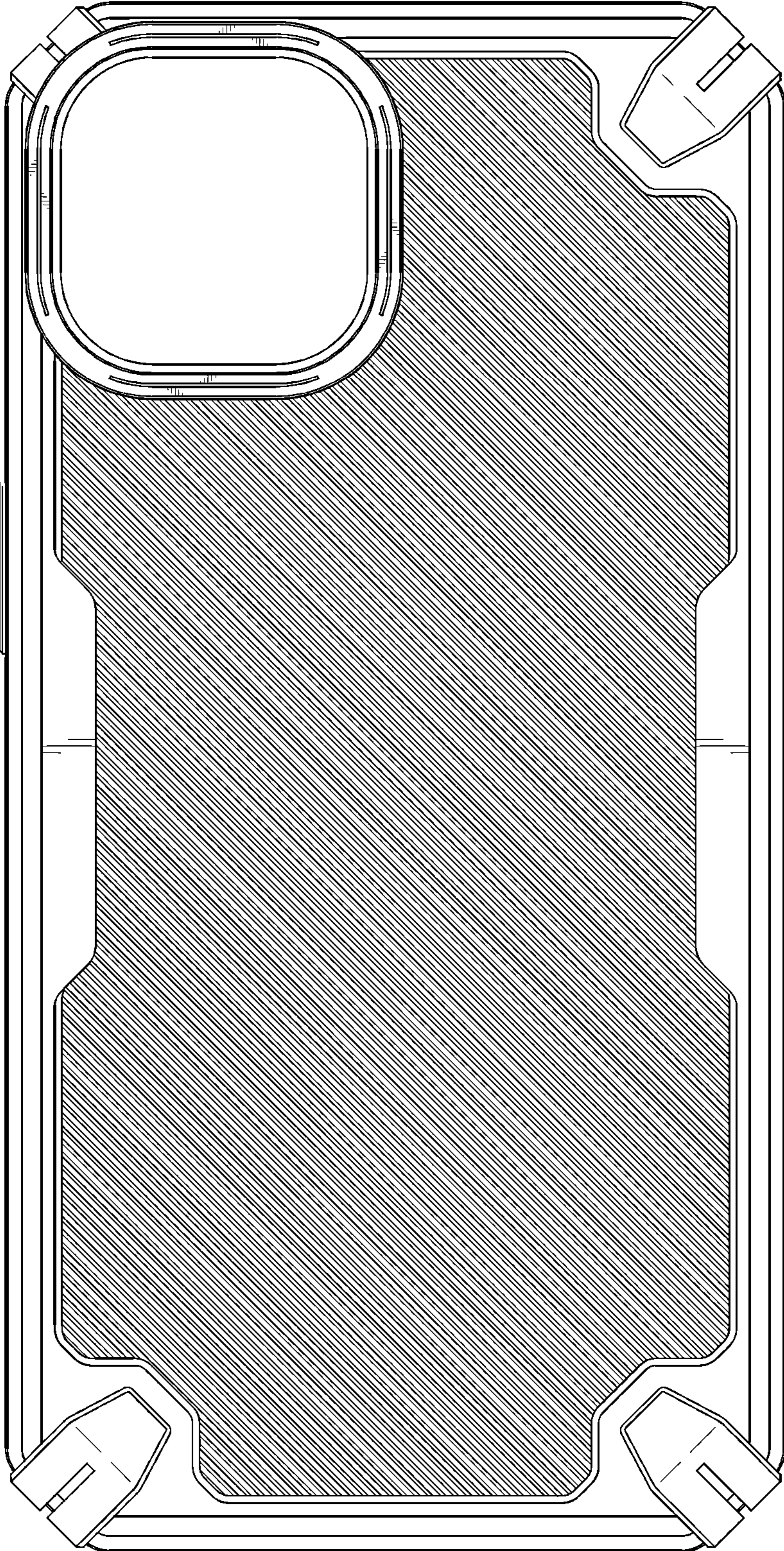


FIG. 4

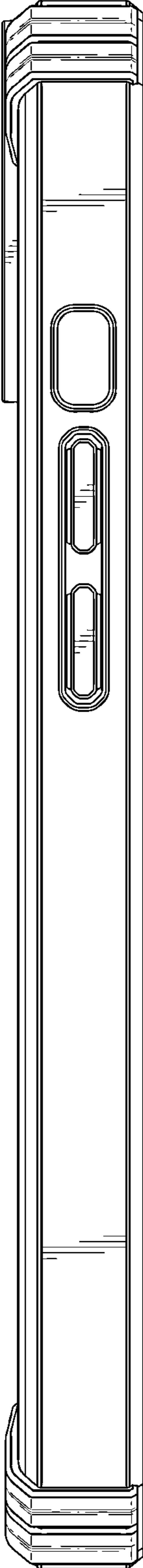


FIG. 5

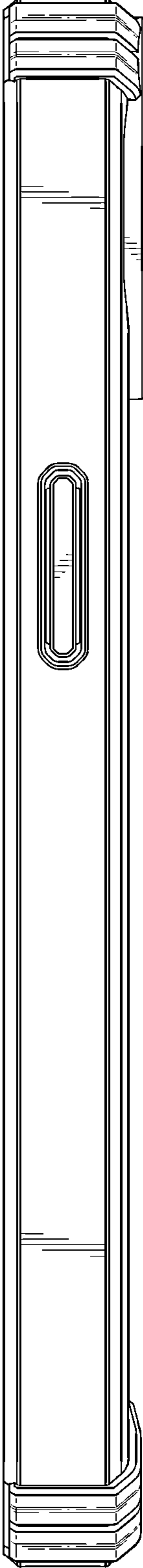


FIG. 6

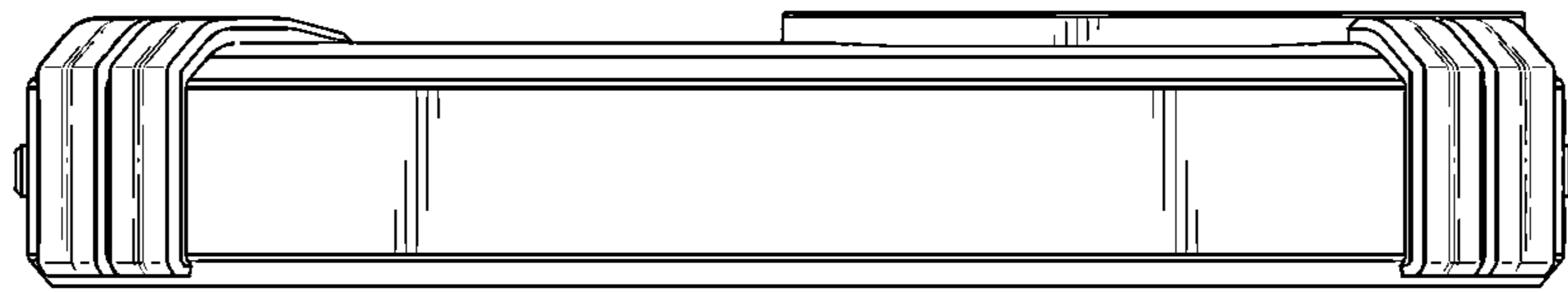


FIG. 7

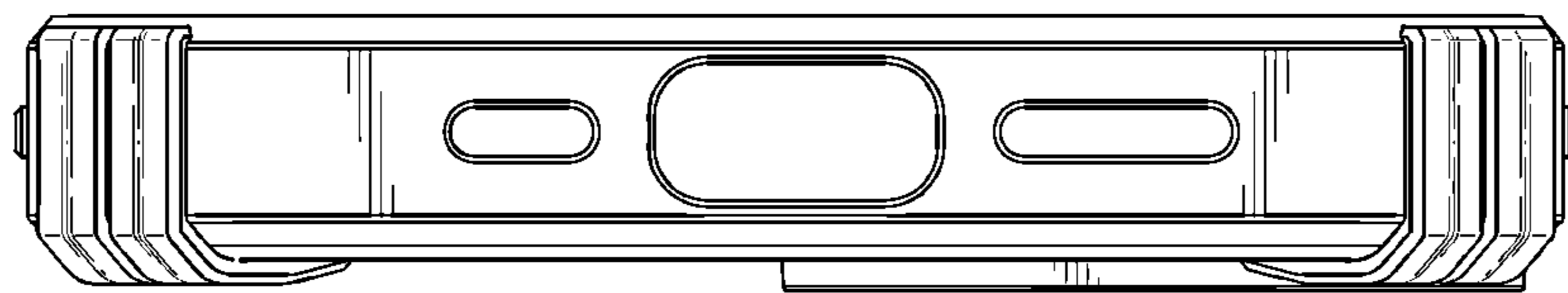


FIG. 8

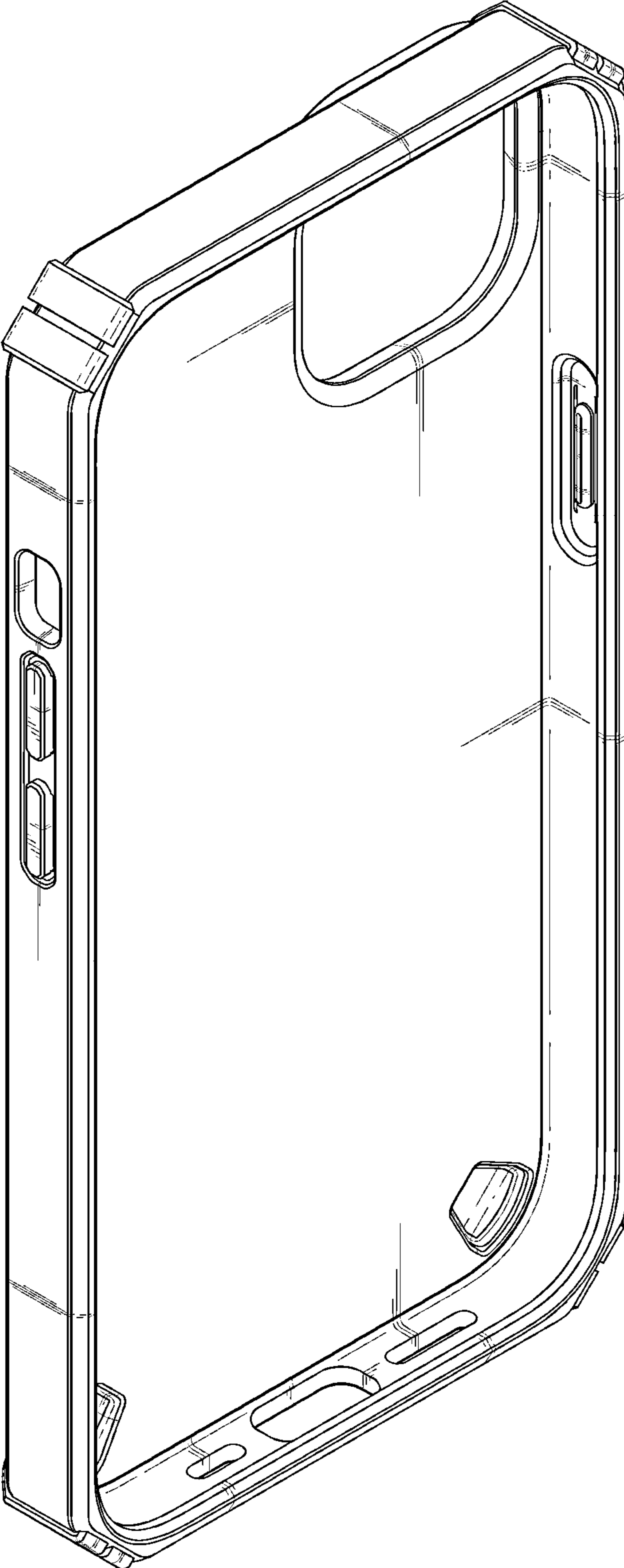


FIG. 9

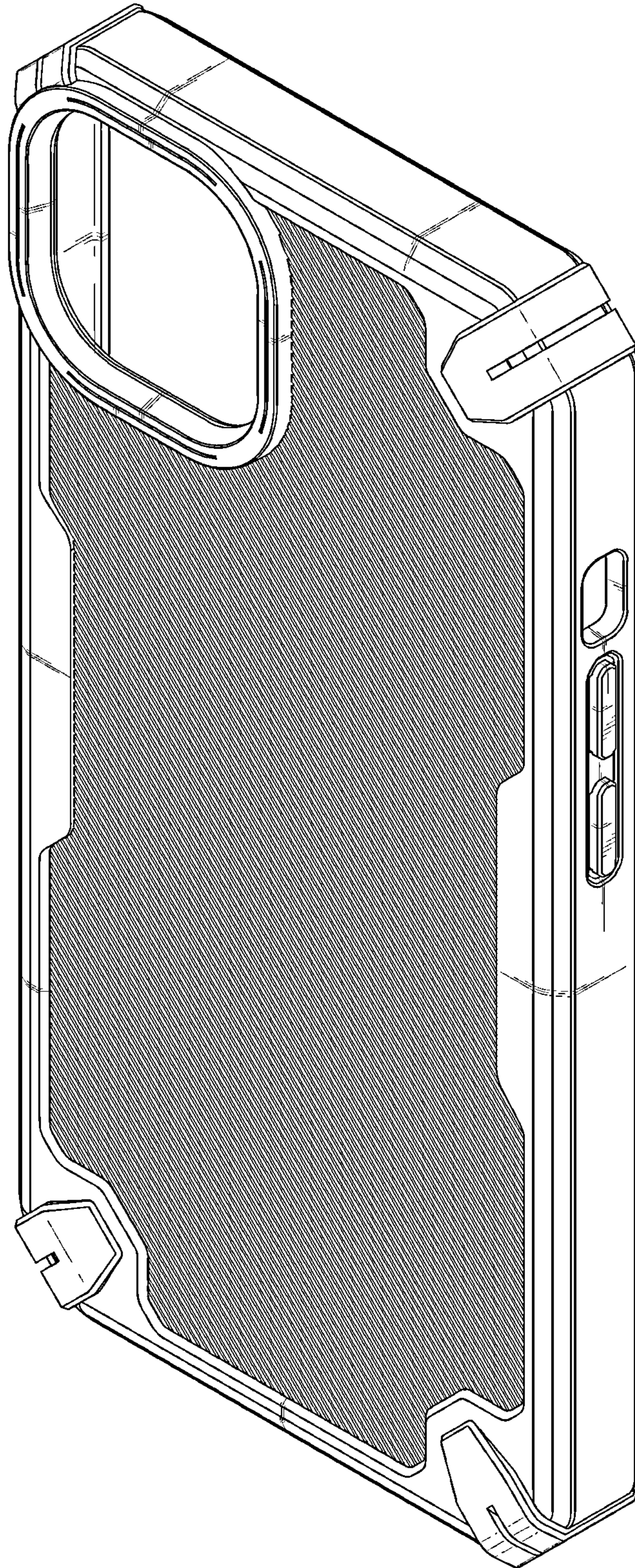


FIG. 10

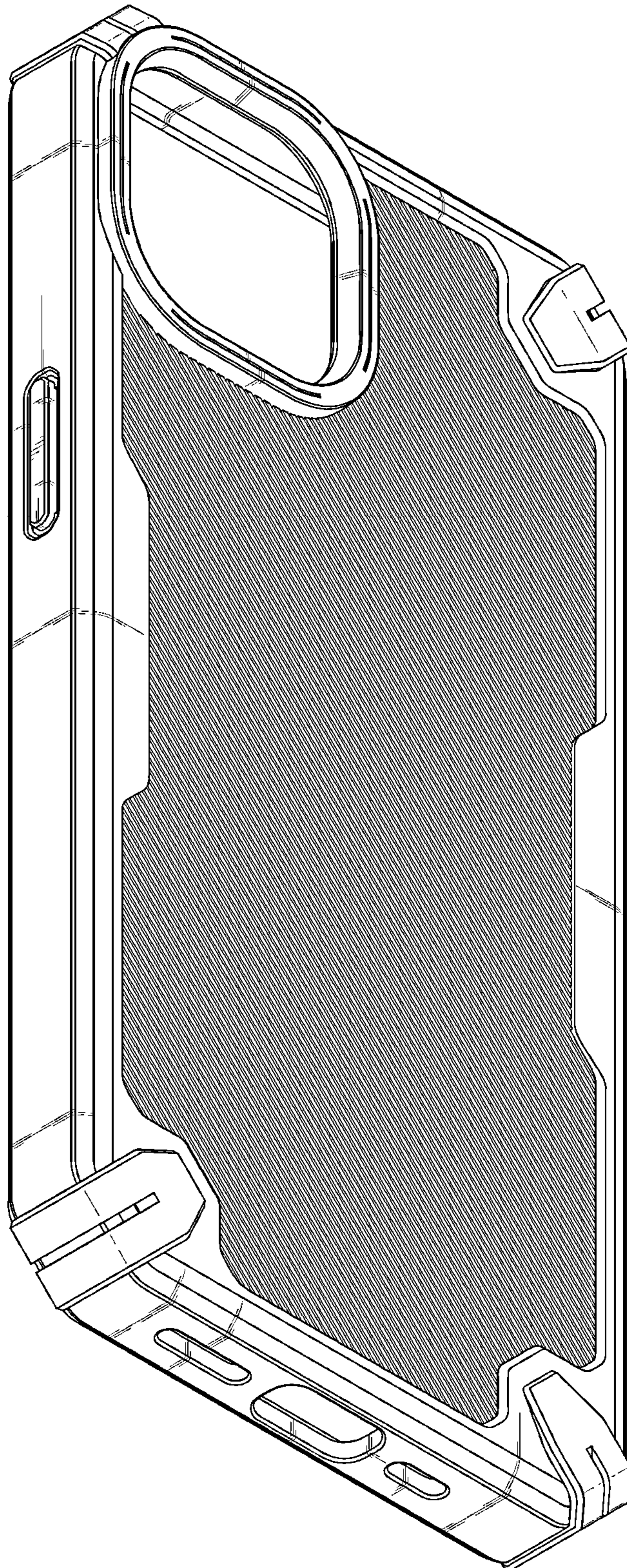


FIG. 11

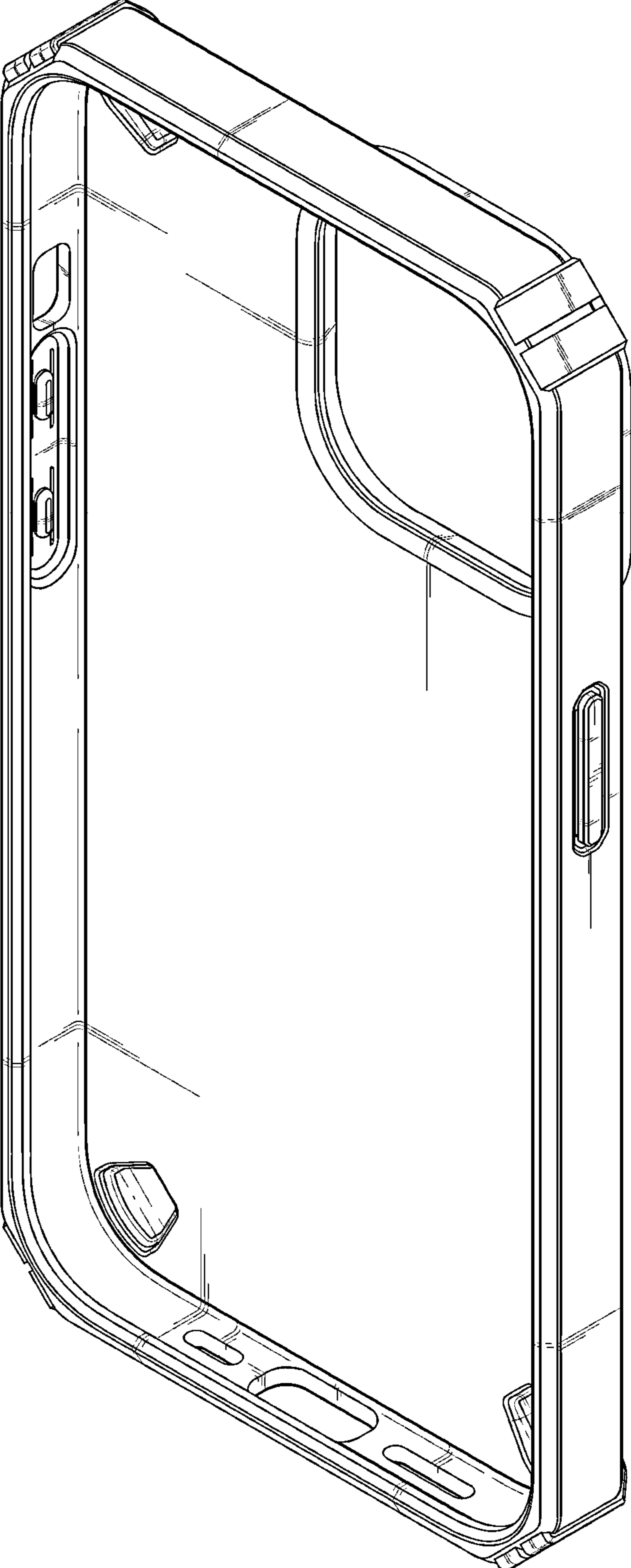


FIG. 12

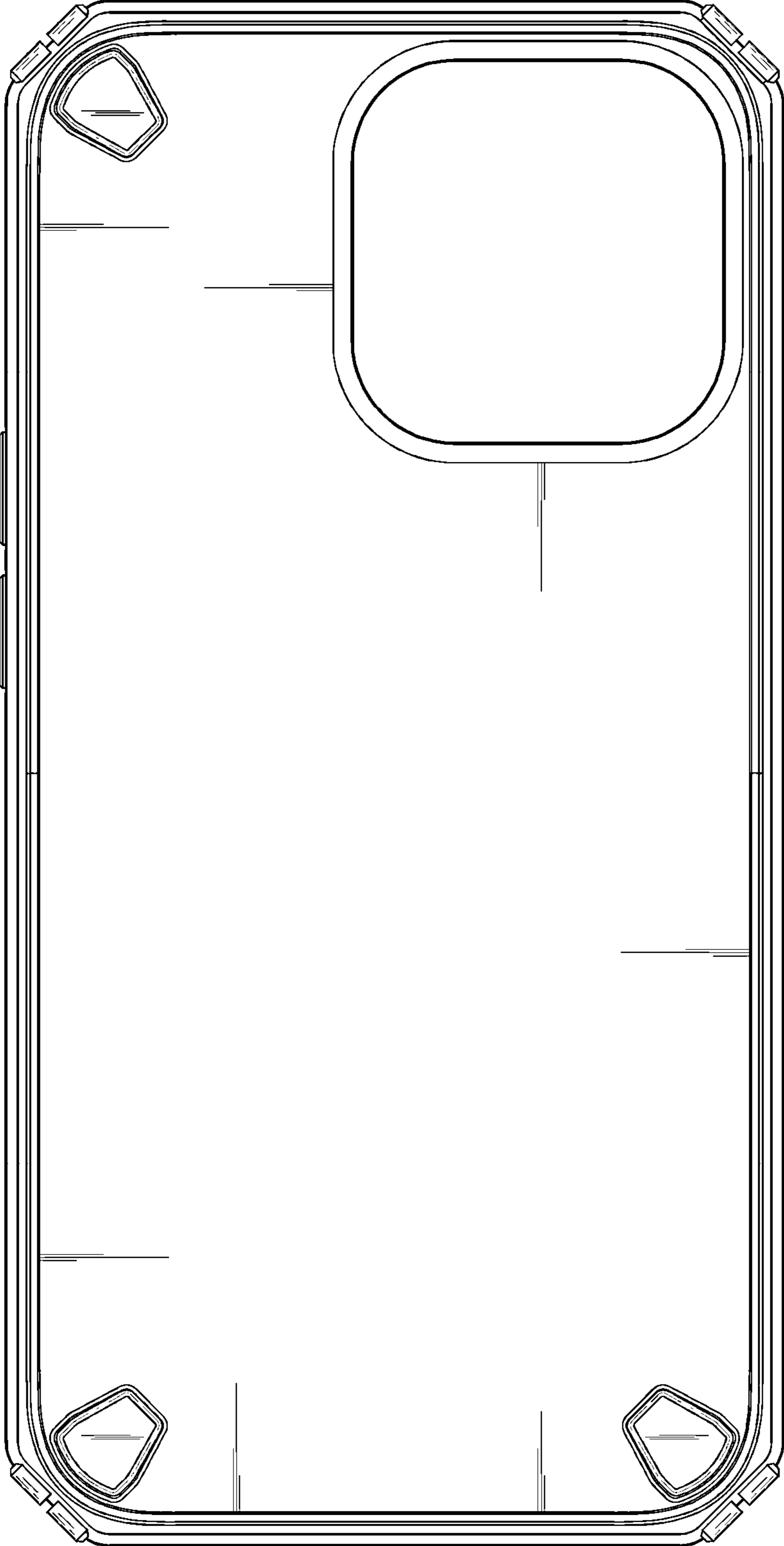


FIG. 13

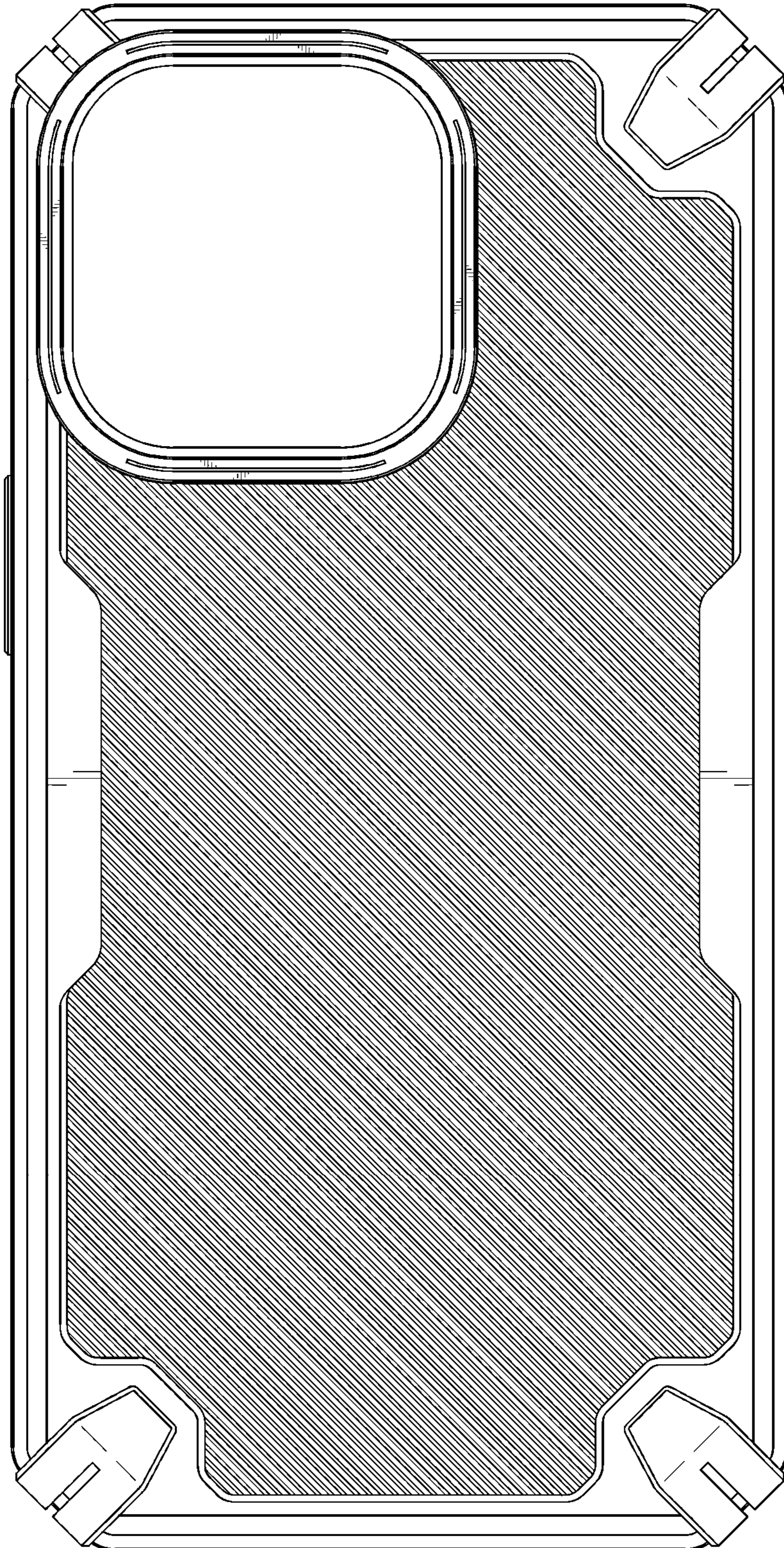


FIG. 14

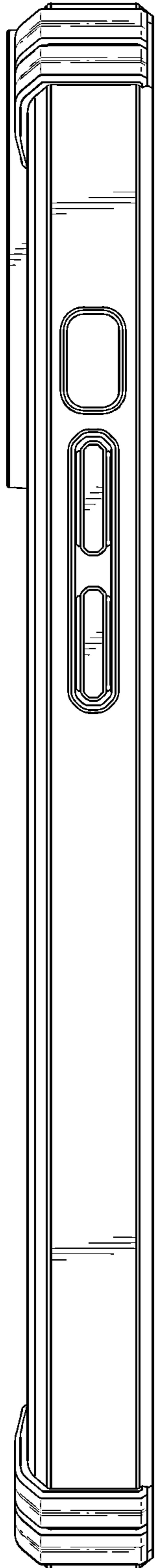


FIG. 15

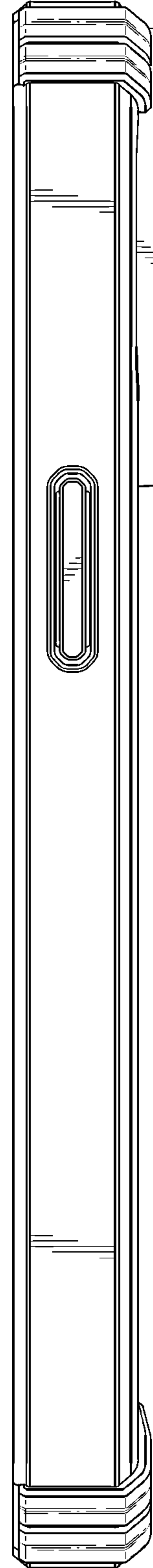


FIG. 16



FIG. 17

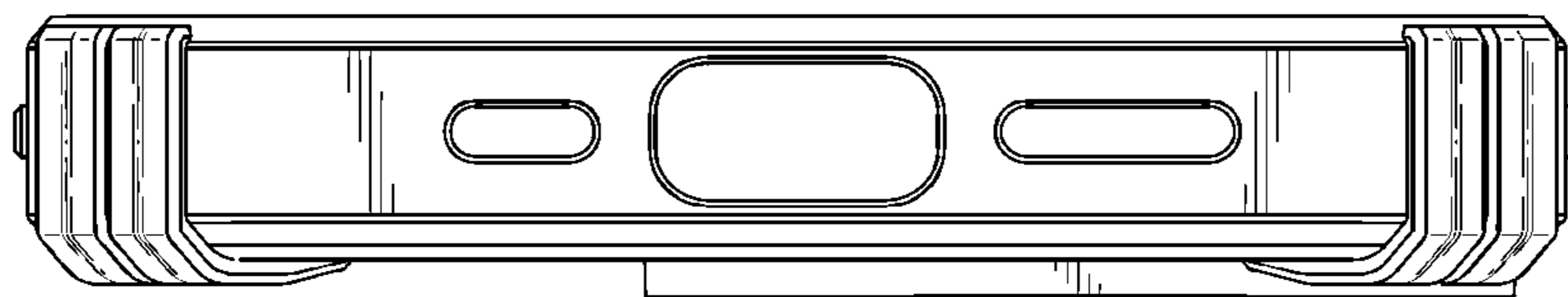


FIG. 18

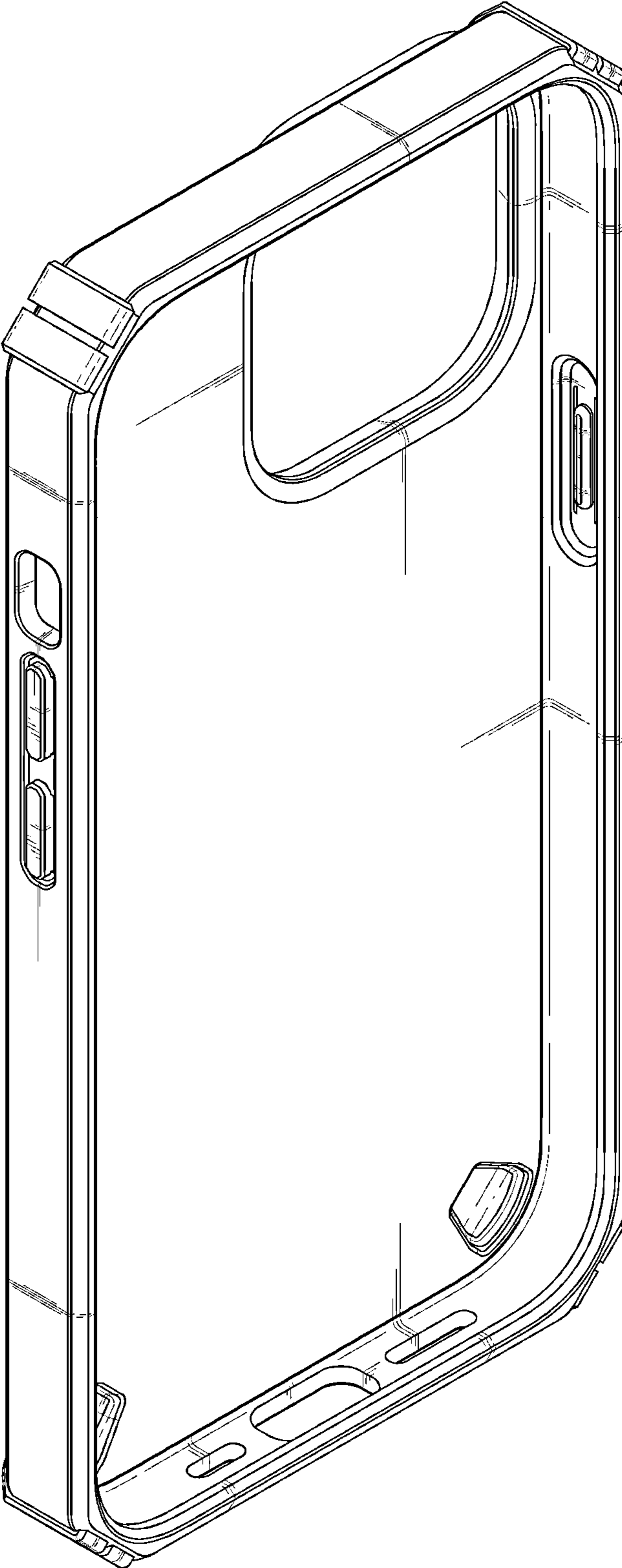


FIG. 19

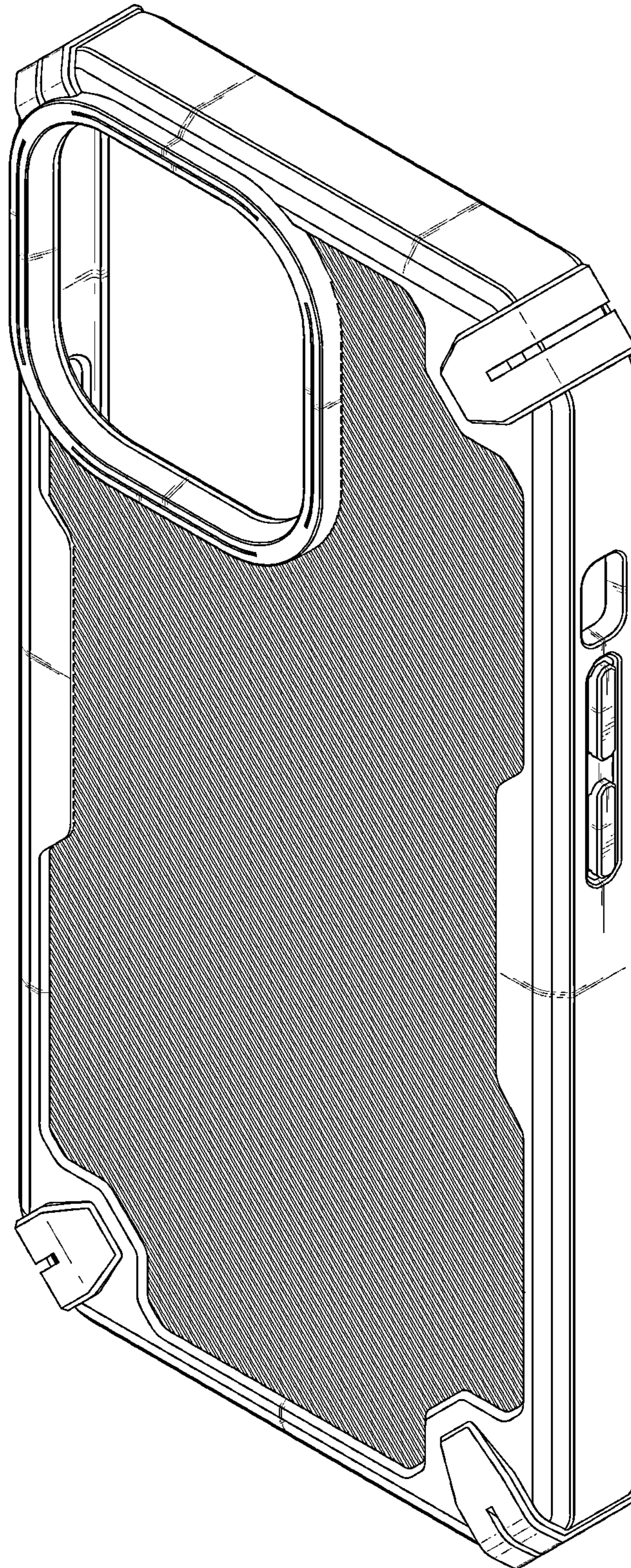


FIG. 20

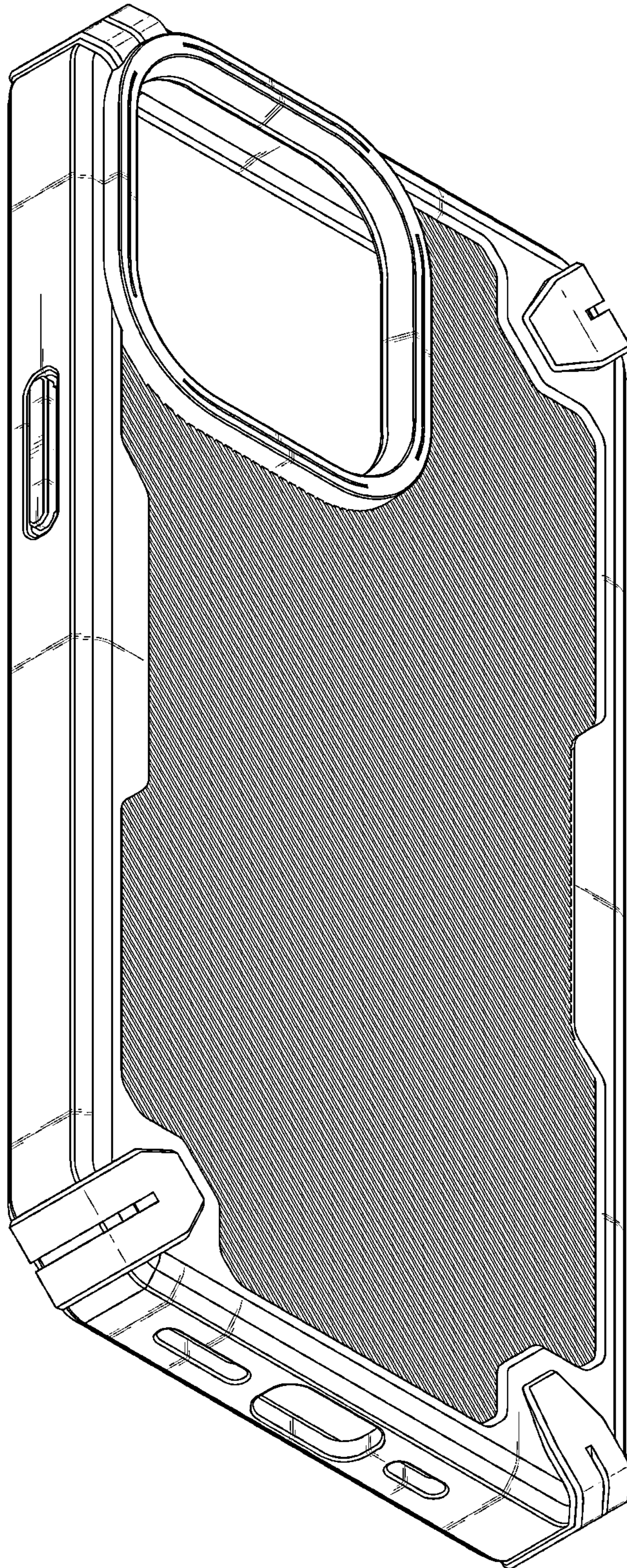


FIG. 21

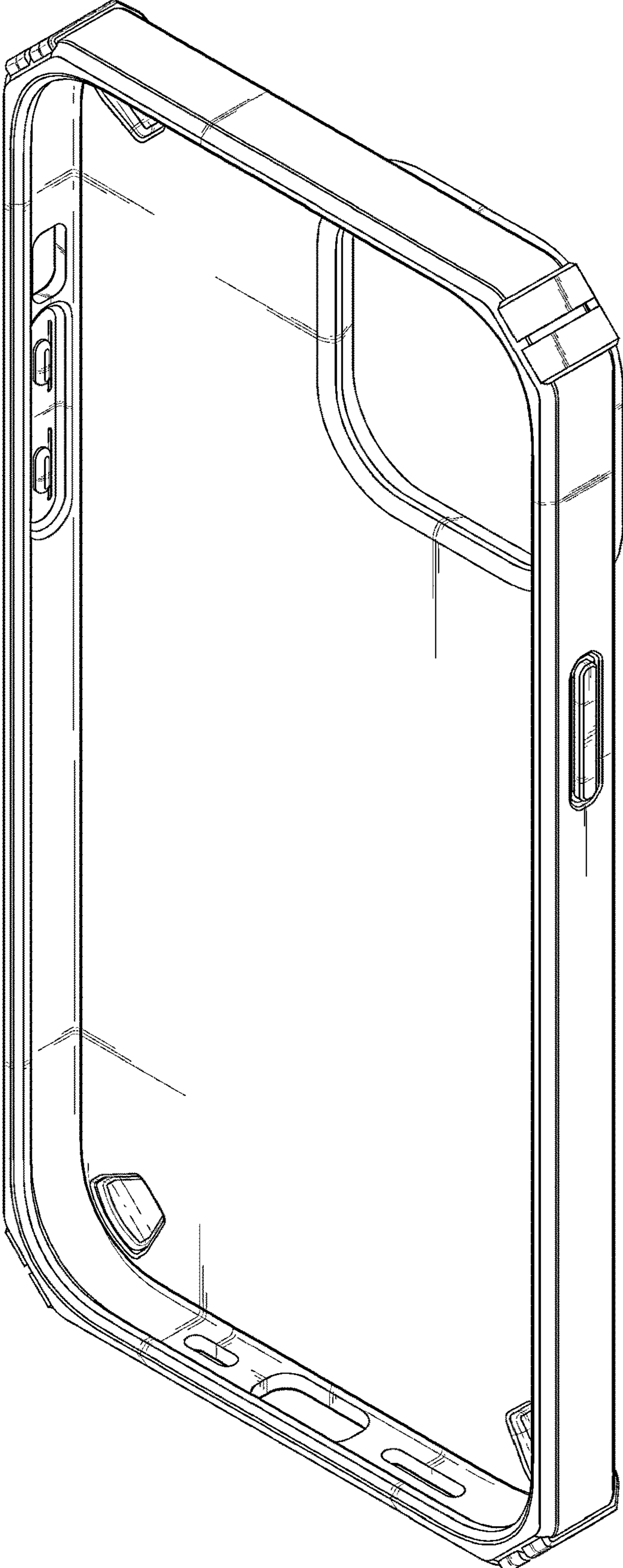


FIG. 22

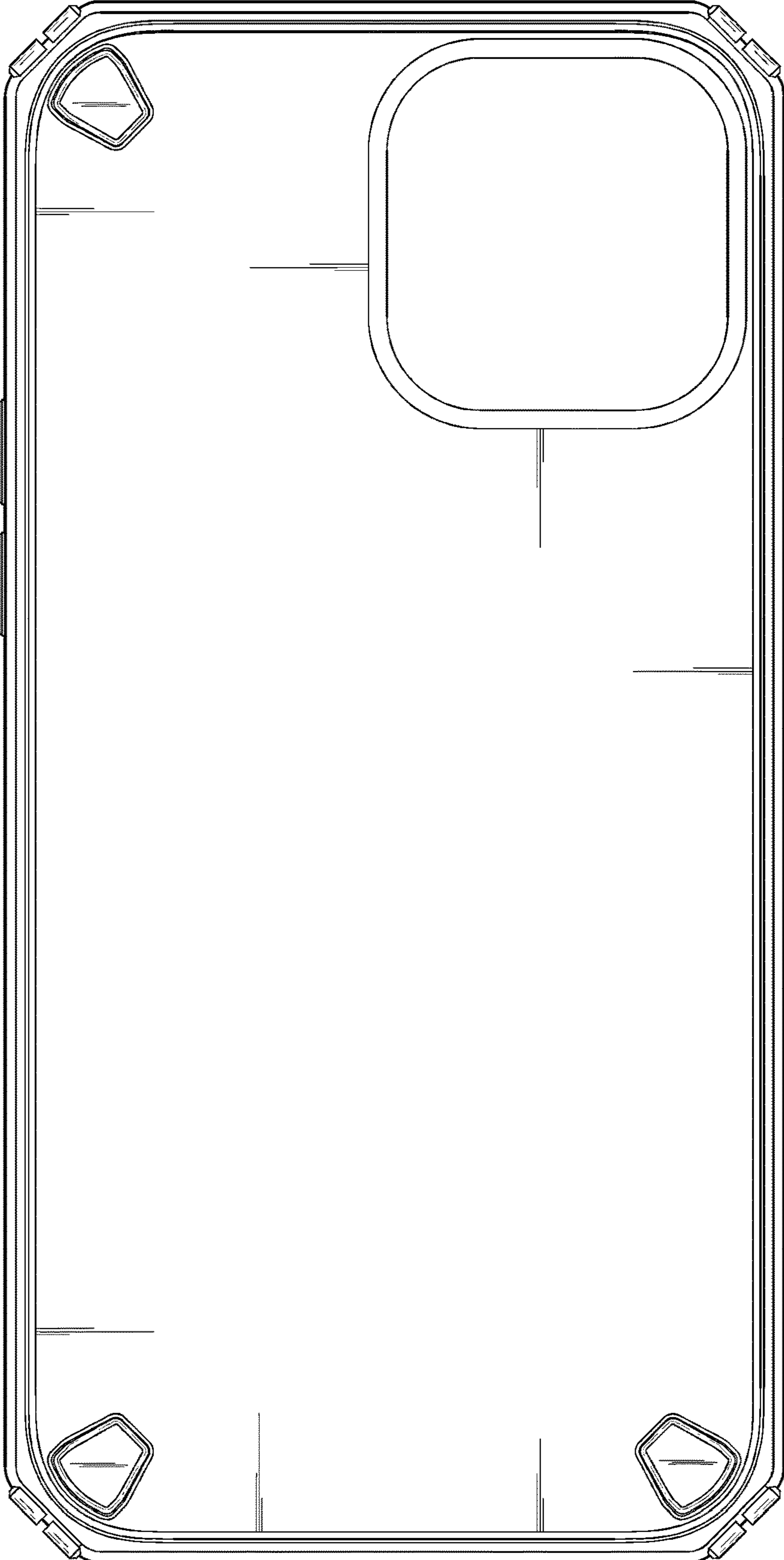


FIG. 23

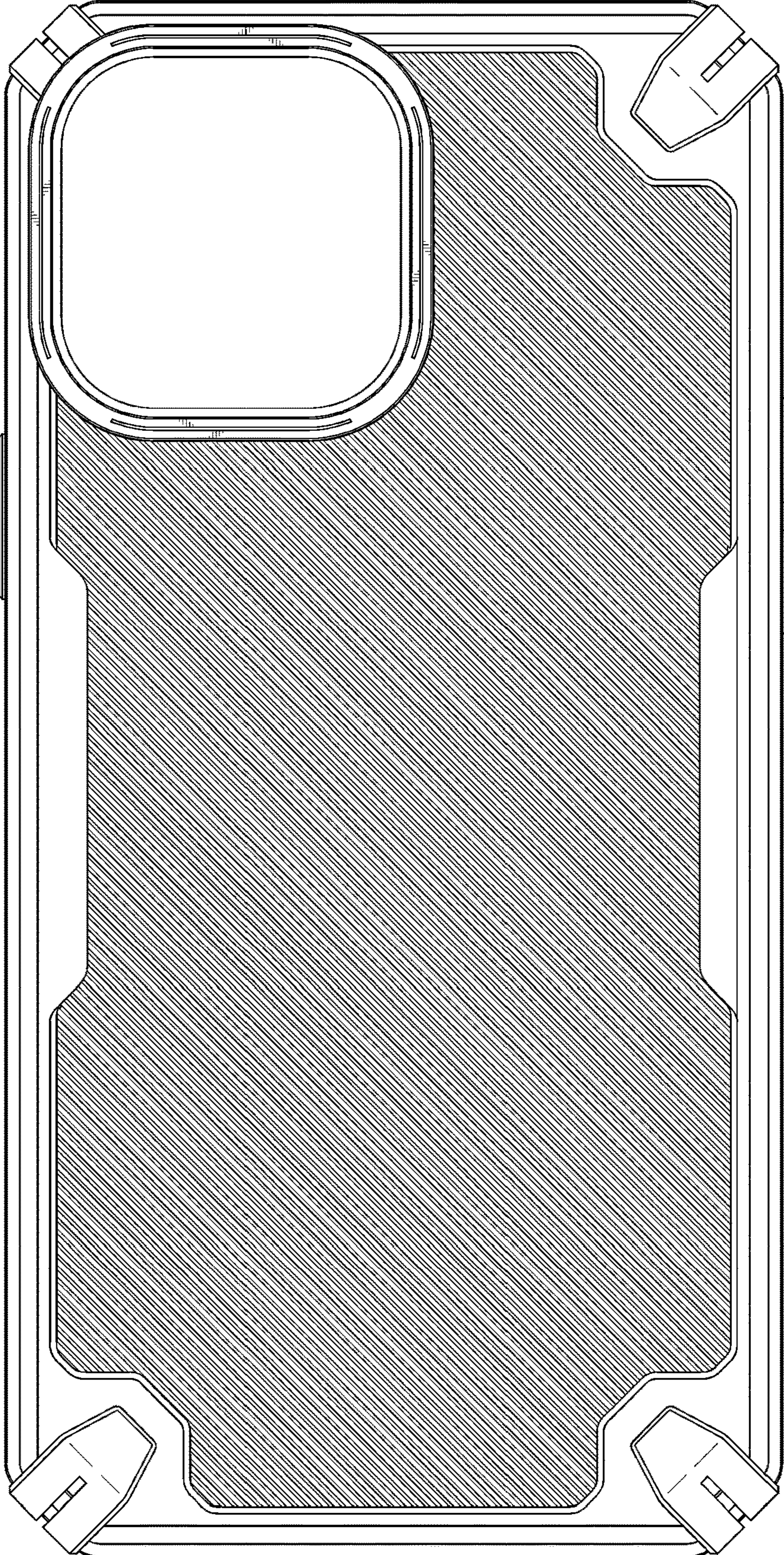


FIG. 24

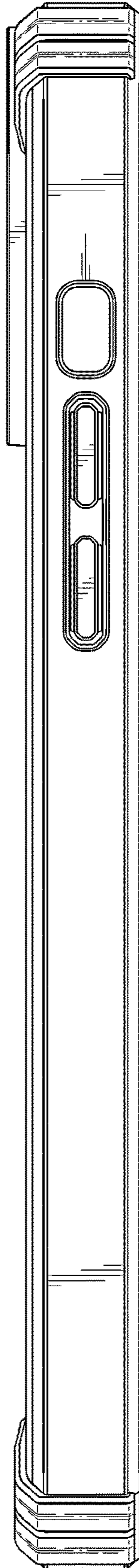


FIG. 25

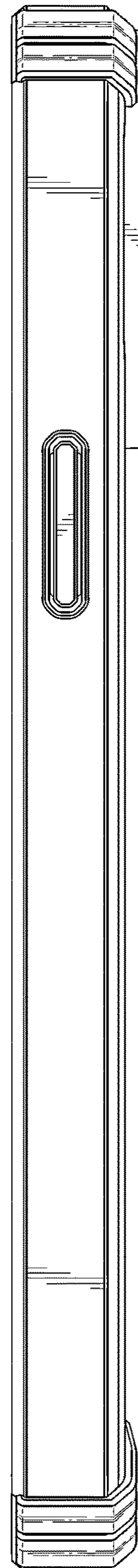


FIG. 26

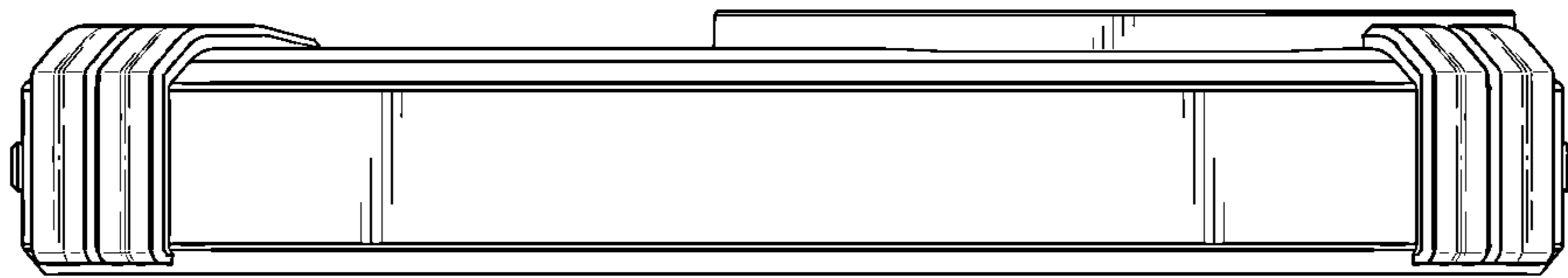


FIG. 27

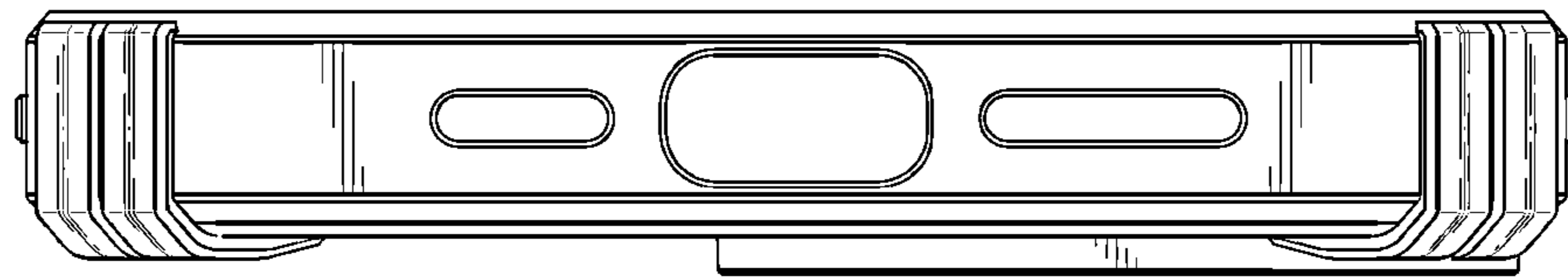


FIG. 28

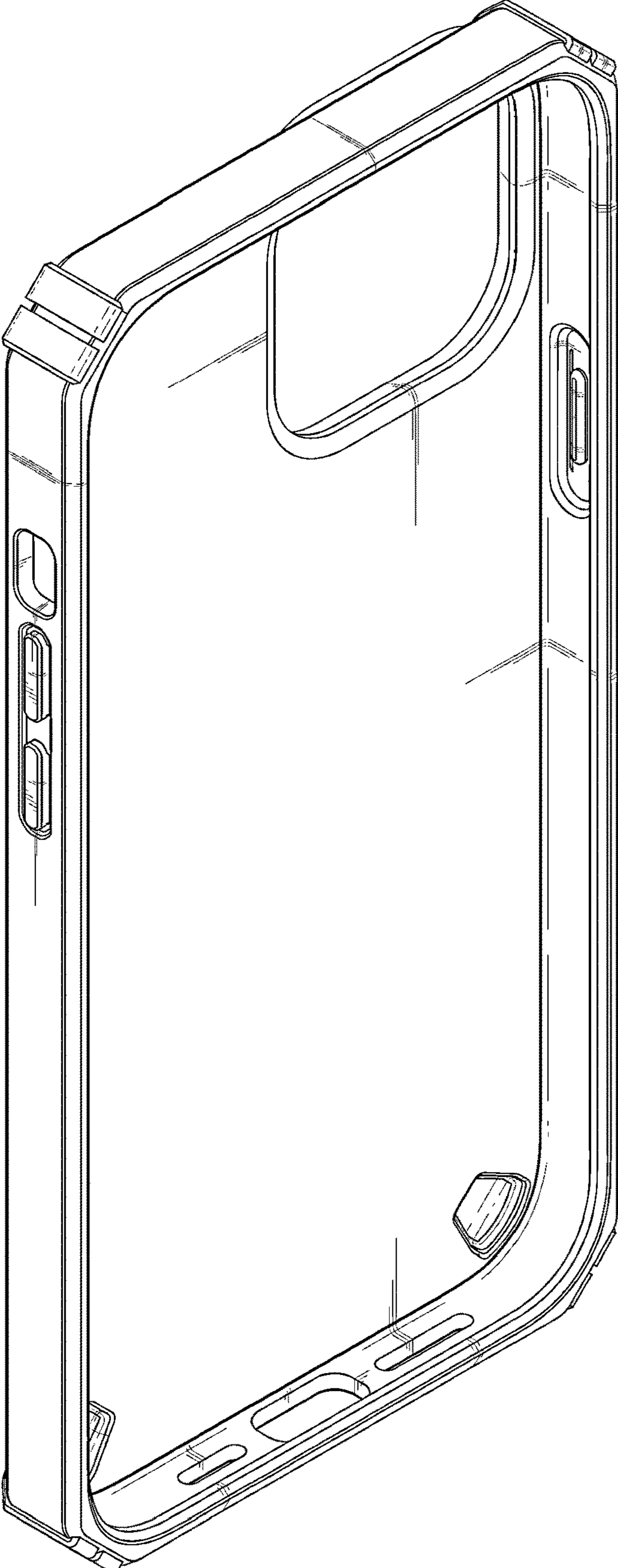


FIG. 29

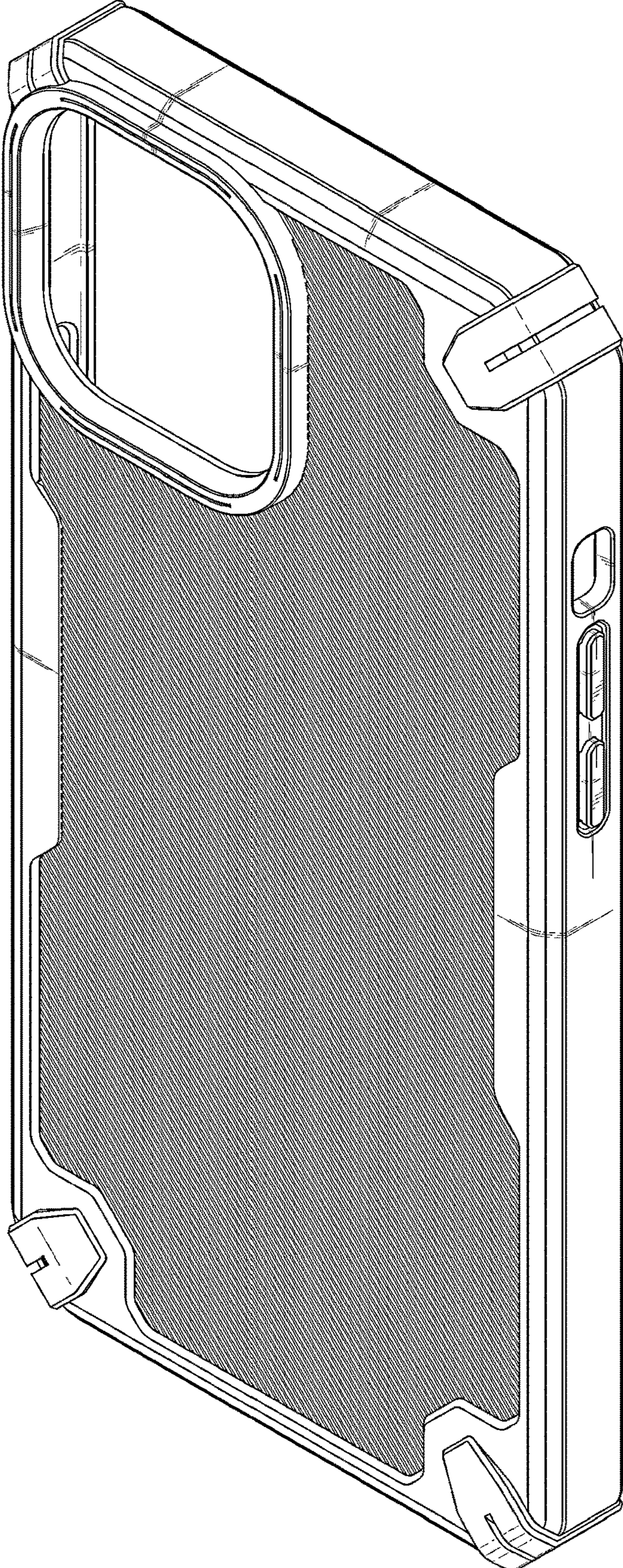


FIG. 30

