

US00D963630S

(12) **United States Design Patent**  
**Koo et al.**

(10) **Patent No.:** **US D963,630 S**

(45) **Date of Patent:** **\*\* \*Sep. 13, 2022**

(54) **ROUTER**

D379,799 S \* 6/1997 Widmayer ..... D13/179  
D548,629 S 8/2007 Rhine et al.  
D551,650 S 9/2007 DiPasquale  
D693,798 S 11/2013 Chuang et al.

(Continued)

(71) Applicant: **Samsung Electronics Co., Ltd.**,  
Suwon-si (KR)

(72) Inventors: **Hyungjun Koo**, Suwon-si (KR);  
**Eunuae Lee**, Suwon-si (KR);  
**Moonjung Jang**, Suwon-si (KR)

**FOREIGN PATENT DOCUMENTS**

GB 8202809000-1000 \* 8/2019  
IN 320988-001-0001 \* 8/2020

(Continued)

(73) Assignee: **SAMSUNG ELECTRONICS CO., LTD.**,  
Suwon-si (KR)

*Primary Examiner* — Bridget L Eland

(\*) Notice: This patent is subject to a terminal disclaimer.

(74) *Attorney, Agent, or Firm* — McAndrews Held & Malloy, Ltd.

(\*\*) Term: **15 Years**

(57) **CLAIM**

The ornamental design for a router, as shown and described.

(21) Appl. No.: **29/770,666**

**DESCRIPTION**

(22) Filed: **Feb. 15, 2021**

(30) **Foreign Application Priority Data**

Oct. 22, 2020 (KR) ..... 30-2020-0050585

(51) **LOC (13) Cl.** ..... **14-03**

(52) **U.S. Cl.**  
USPC ..... **D14/242**

(58) **Field of Classification Search**  
USPC .... D14/240, 242, 357, 358, 140-140.9, 155,  
D14/125, 137, 139, 243, 348, 349, 351,  
D14/354, 355, 433, 435.1  
CPC ..... H04L 12/00; H03K 17/00; H04W 88/00;  
H04W 88/005; H04W 88/02; H04W  
88/08; H04W 88/085; H04W 88/10;  
H04W 88/12; H04W 88/14; H04B 1/38  
See application file for complete search history.

FIG. 1 is a front perspective view of a router showing our new design;

FIG. 2 is a front view thereof;

FIG. 3 is a rear view thereof;

FIG. 4 is a left side view thereof;

FIG. 5 is a right side view thereof;

FIG. 6 is a top view thereof; and

FIG. 7 is a bottom view thereof.

FIG. 8 is an enlarged view of the portion 8 encircled in FIG. 1;

FIG. 9 is an enlarged view of the portion 9 encircled in FIG. 1;

FIG. 10 is an enlarged view of the portion 10 encircled in FIG. 3; and,

FIG. 11 is an enlarged view of the portion 11 encircled in FIG. 6.

The dashed broken lines in the figures illustrate portions of the router that form no part of the claimed design.

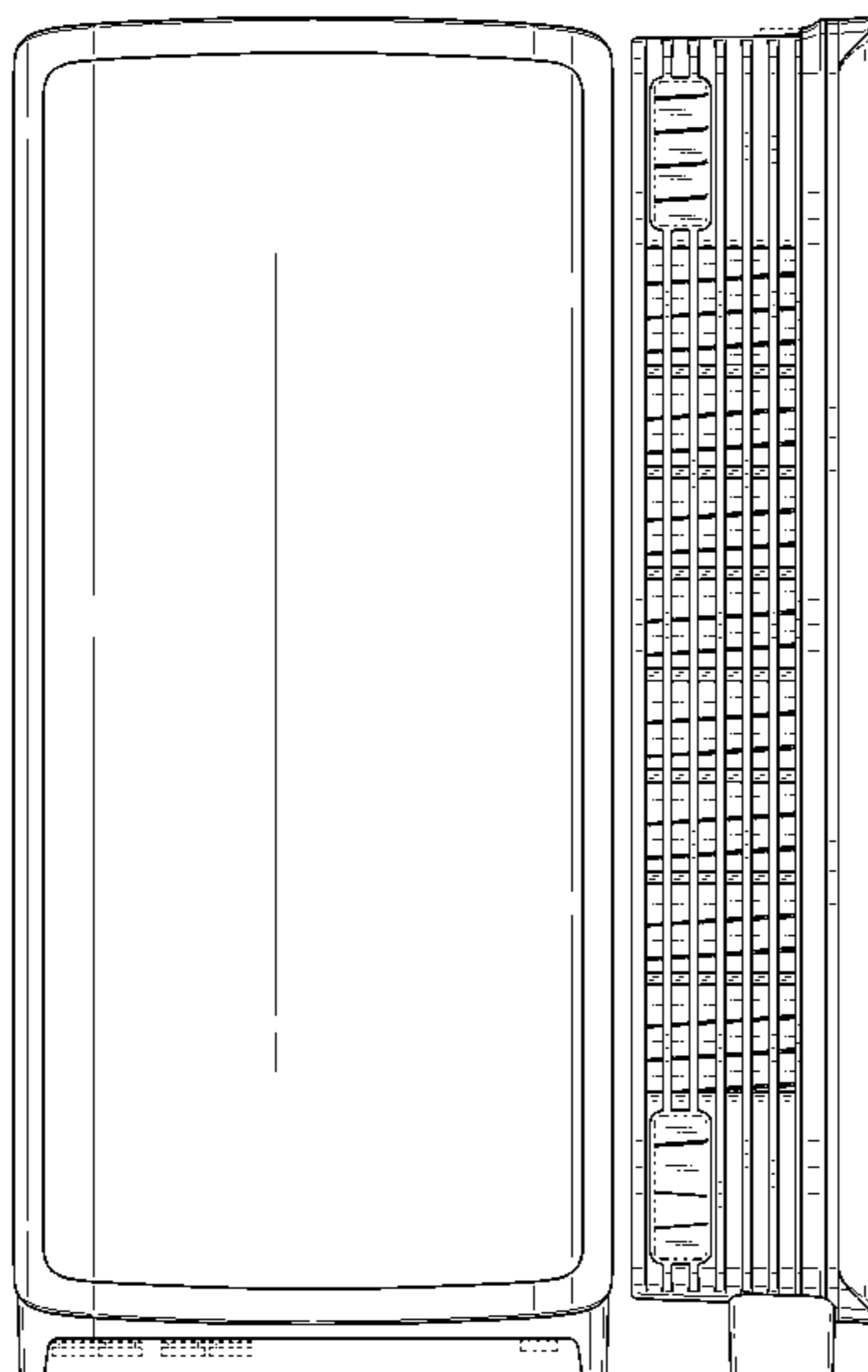
The dot-dot-dash broken lines in the drawings encircling portions of the claimed design that are illustrated in enlargements form no part of the claimed design.

(56) **References Cited**

**U.S. PATENT DOCUMENTS**

D292,914 S \* 11/1987 Moeller ..... D13/184  
D378,915 S \* 4/1997 Widmayer ..... D13/179

**1 Claim, 10 Drawing Sheets**



(56)

**References Cited**

U.S. PATENT DOCUMENTS

D742,864 S	11/2015	Kurosawa	
D843,359 S	3/2019	Moon	
D886,086 S *	6/2020	Jang .....	D14/240
D891,408 S *	7/2020	Kwak .....	D14/240
D891,409 S *	7/2020	Jeon .....	D14/240
D892,778 S *	8/2020	Jang .....	D14/240
D903,641 S *	12/2020	Moon .....	D14/240
D903,642 S *	12/2020	Moon .....	D14/242
D928,131 S *	8/2021	Jang .....	D14/242

FOREIGN PATENT DOCUMENTS

IN	347026-001-0001	*	9/2021
JP	D1684324	*	4/2021
JP	D1697807	*	10/2021
KR	301015901.0000	*	7/2019
KR	301015902.0000	*	7/2019
KR	301015903.0000	*	7/2019
KR	301088239.0000	*	12/2020
KR	301126931.0000	*	9/2021
KR	301126935.0000	*	9/2021
KR	301126936.0000	*	9/2021
KR	301126937.0000	*	9/2021
KR	301132243.0000	*	10/2021
KR	301132247.0000	*	10/2021
WO	D202809-001	*	3/2020
WO	D211477-002	*	5/2021
WO	D211477-004	*	5/2021

\* cited by examiner

FIG. 1

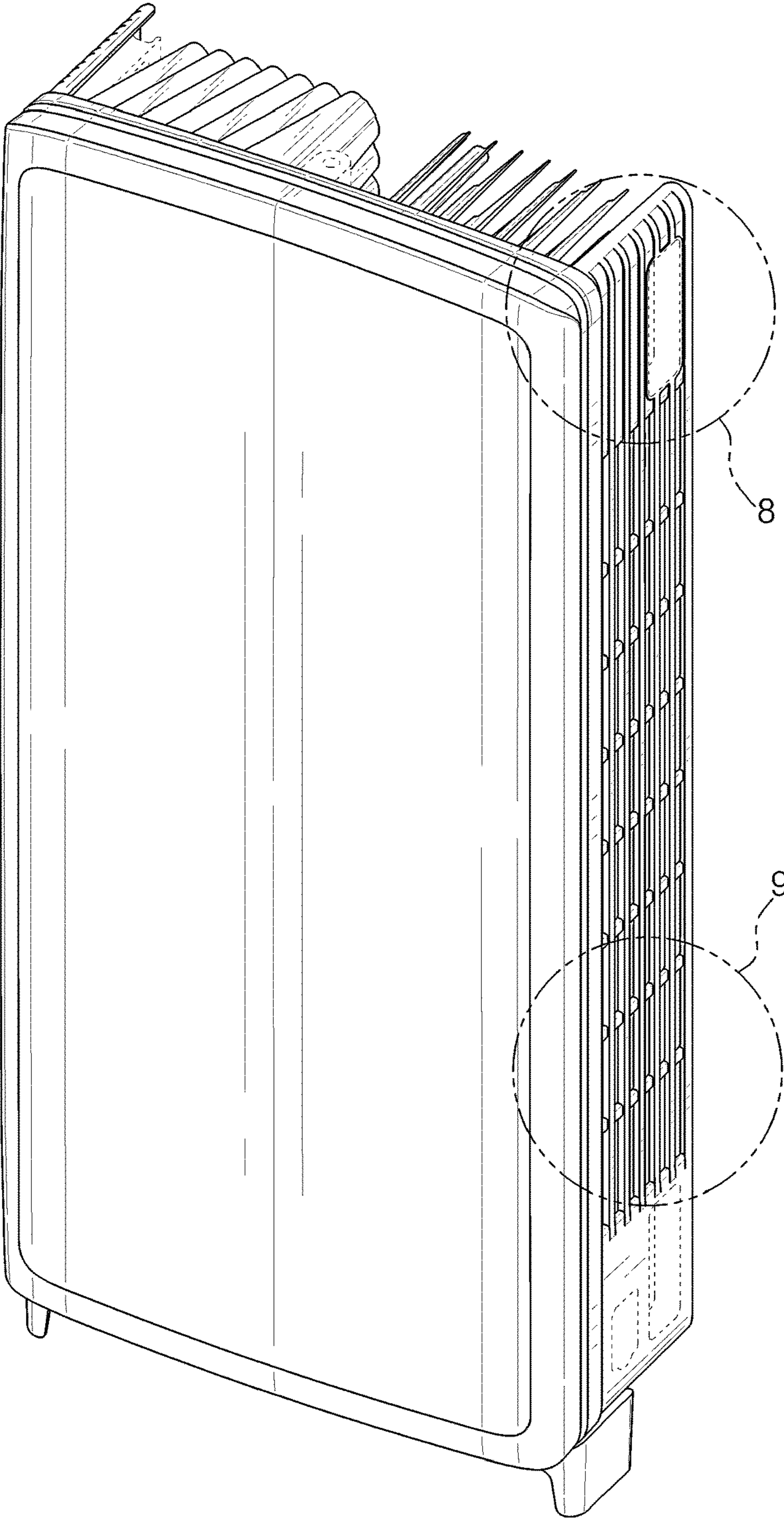


FIG. 2

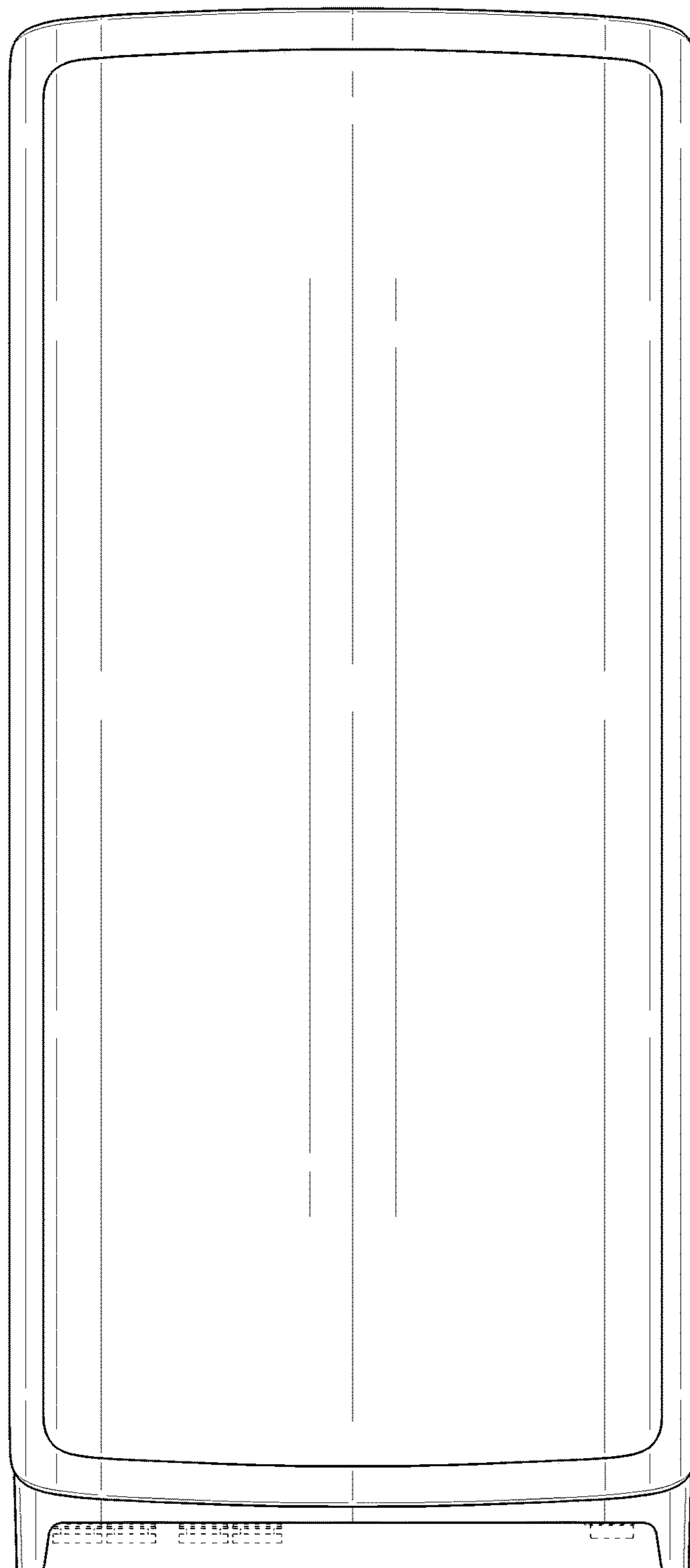


FIG. 3

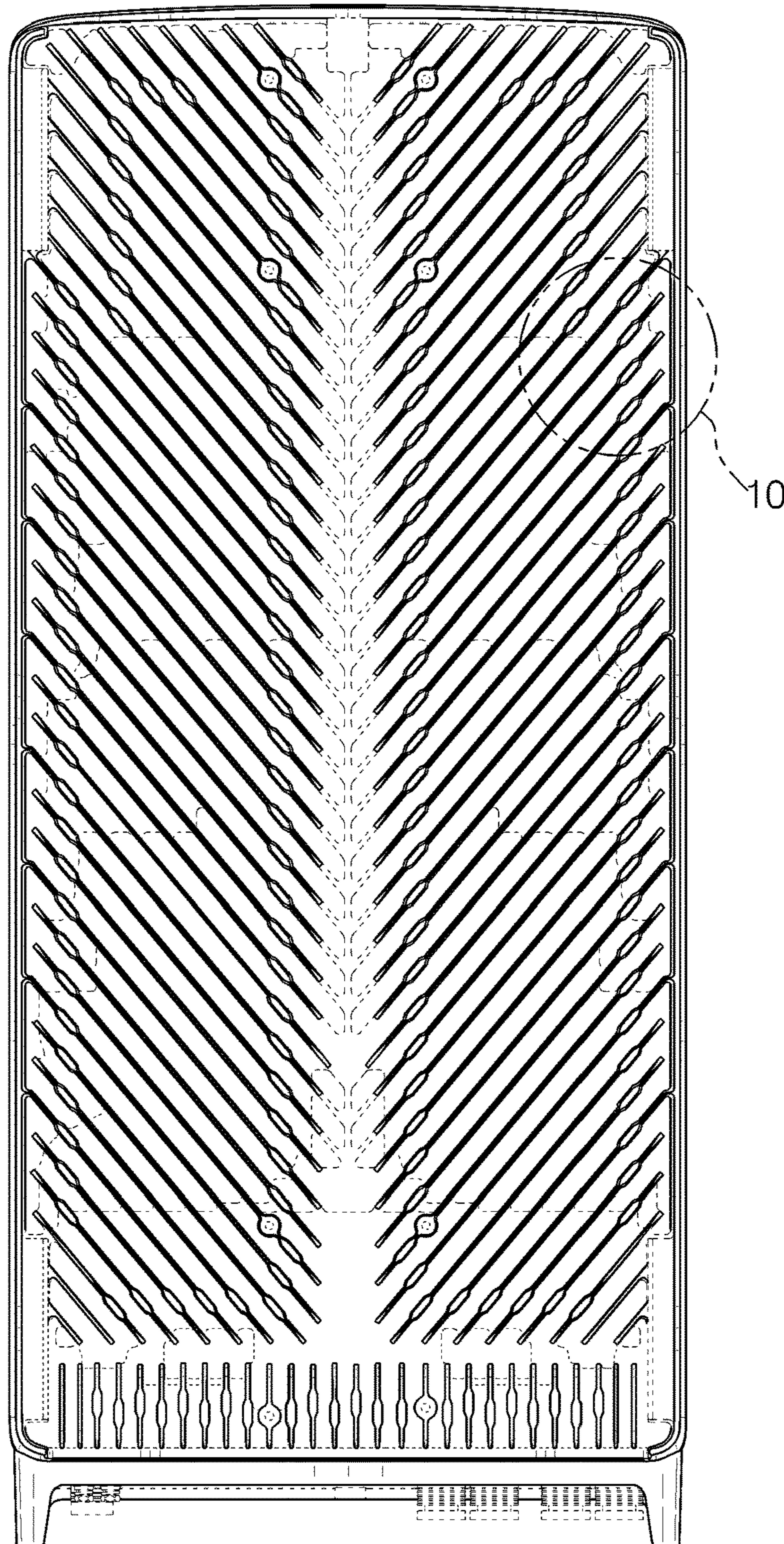


FIG. 4

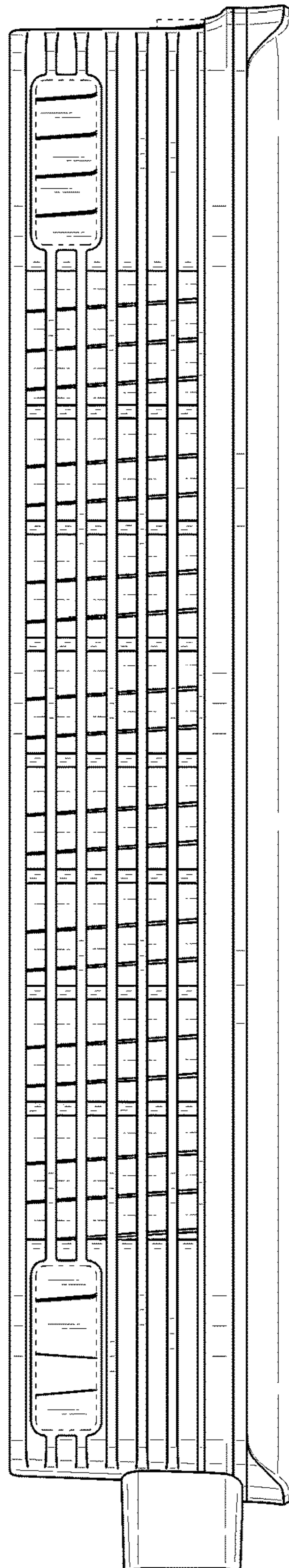


FIG. 5

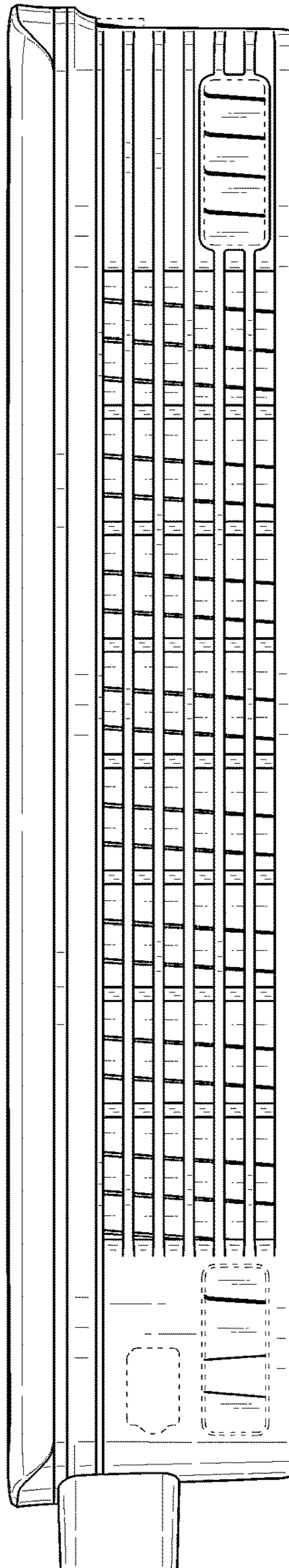


FIG. 6

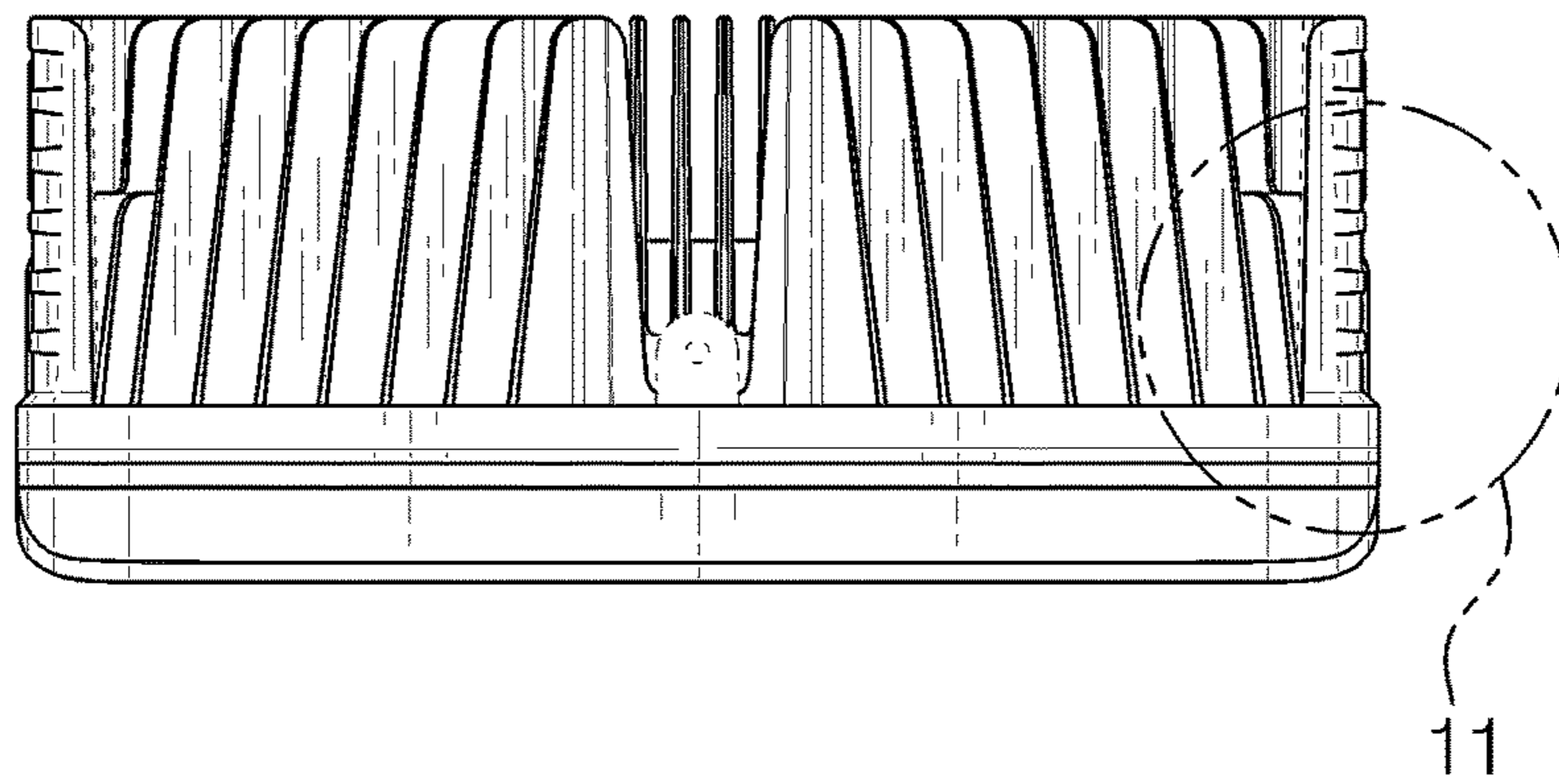


FIG. 7

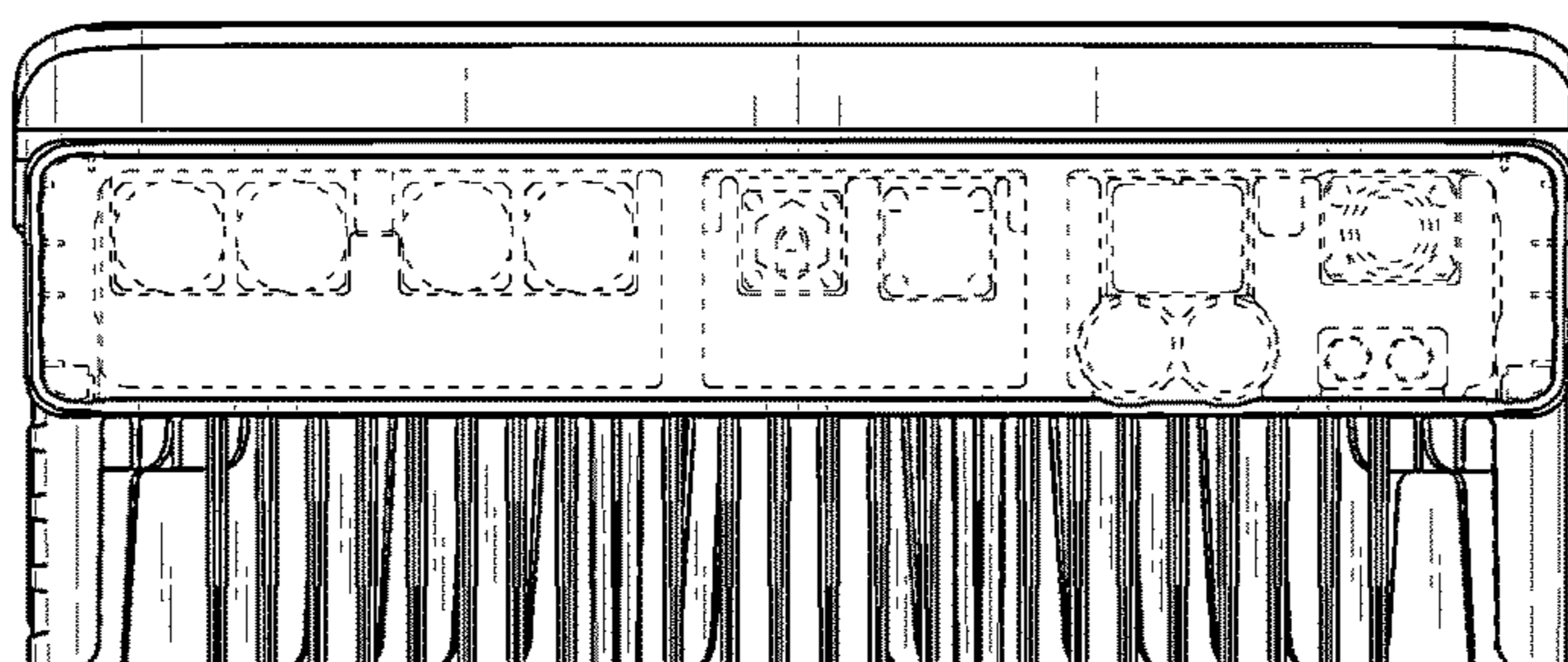




FIG. 8

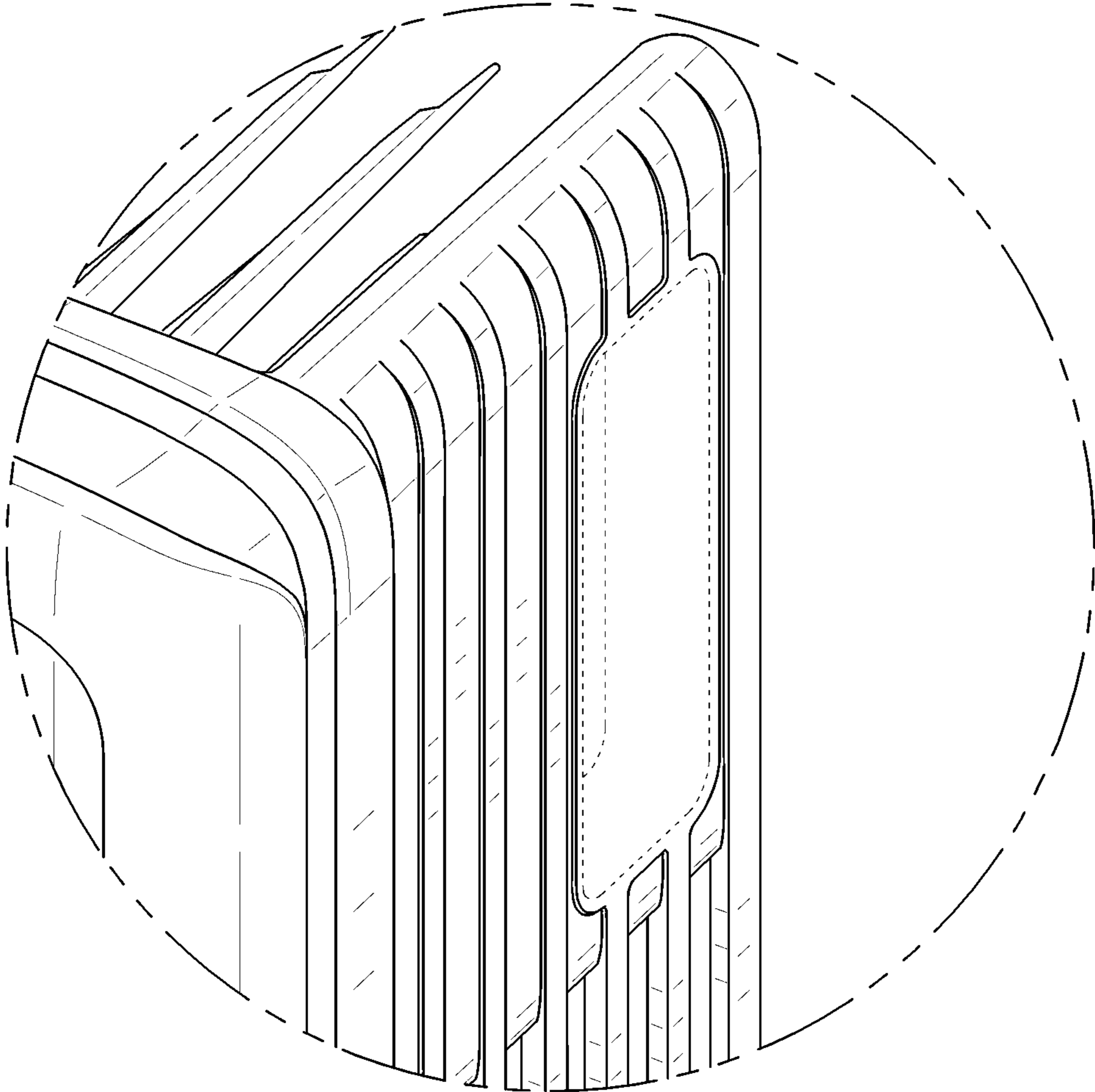


FIG. 9

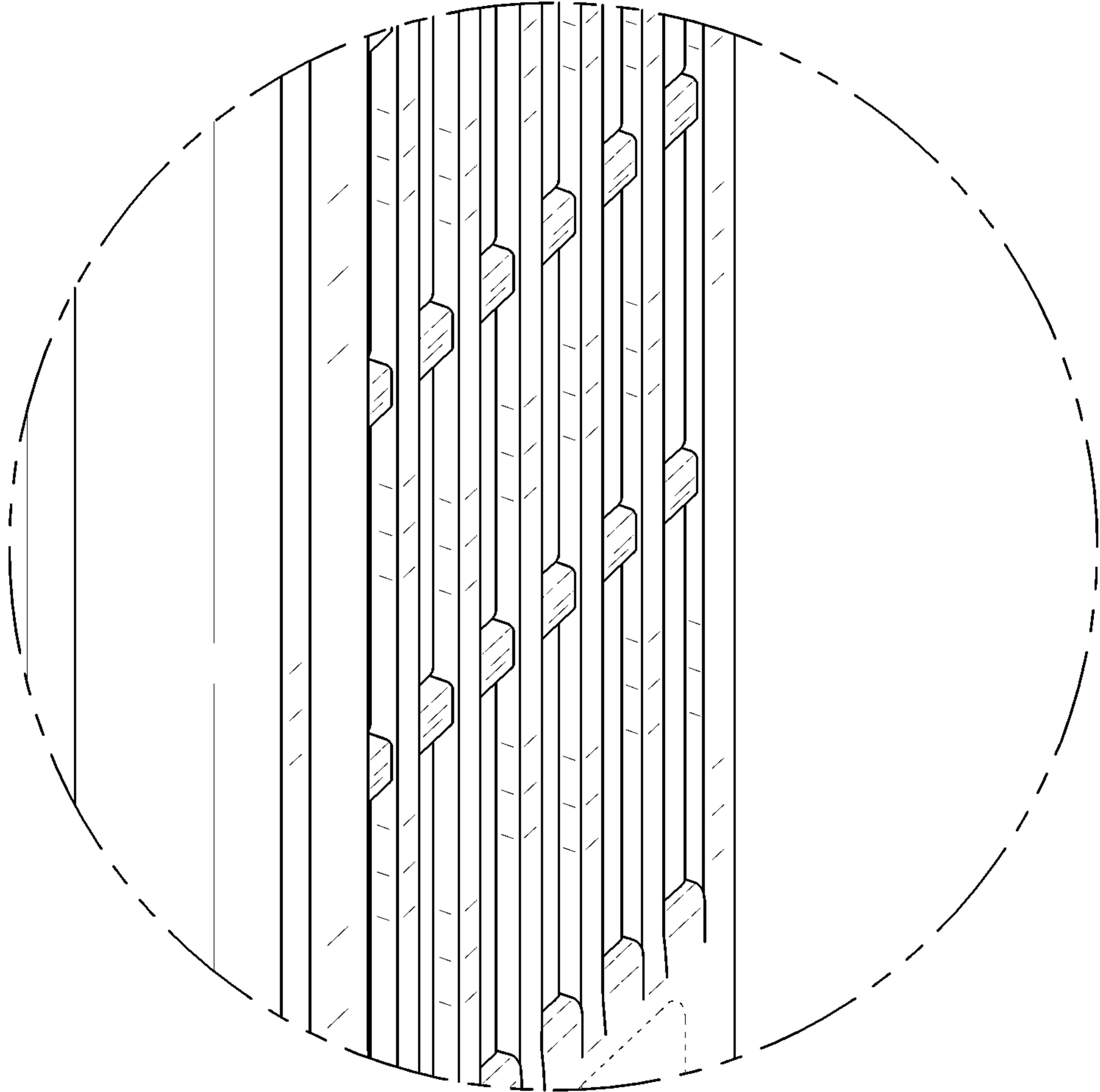


FIG. 10

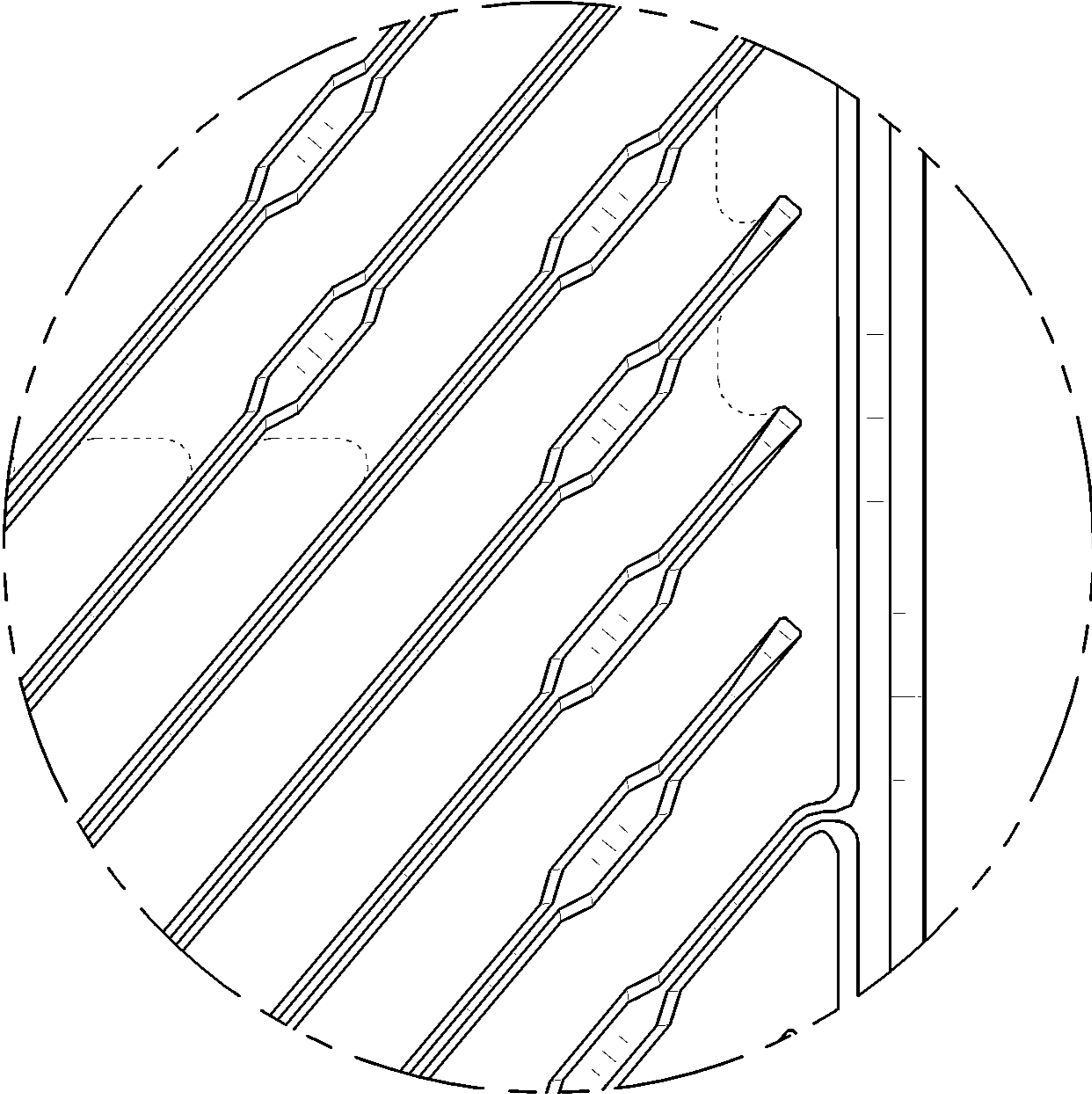


FIG. 11

