



US00D963629S

(12) **United States Design Patent**
Moon

(10) **Patent No.:** **US D963,629 S**

(45) **Date of Patent:** **** Sep. 13, 2022**

(54) **ROUTER**

(71) Applicant: **Samsung Electronics Co., Ltd.**,
Suwon-si (KR)

(72) Inventor: **Jihyun Moon**, Suwon-si (KR)

(73) Assignee: **SAMSUNG ELECTRONICS CO., LTD.**,
Suwon-si (KR)

(**) Term: **15 Years**

(21) Appl. No.: **29/770,664**

(22) Filed: **Feb. 15, 2021**

(30) **Foreign Application Priority Data**

Oct. 13, 2020 (KR) 30-2020-0048932

(51) **LOC (13) Cl.** **14-03**

(52) **U.S. Cl.**
USPC **D14/242**

(58) **Field of Classification Search**

USPC D14/240, 242, 357, 358, 140-140.9, 155,
D14/125, 137, 139, 243, 348, 349, 351,
D14/354, 355, 433, 435.1

CPC H04L 12/00; H03K 17/00; H04W 88/00;
H04W 88/005; H04W 88/02; H04W
88/08; H04W 88/085; H04W 88/10;
H04W 88/12; H04W 88/14; H04B 1/38

See application file for complete search history.

(56) **References Cited**

U.S. PATENT DOCUMENTS

D368,261 S * 3/1996 Shushurin D14/188
D390,235 S * 2/1998 Tucker D13/184
D478,061 S * 8/2003 Abe D14/188
D490,805 S * 6/2004 Lee D14/312
D651,200 S * 12/2011 Sugime D14/240
D759,648 S * 6/2016 Ting D14/313
D766,222 S * 9/2016 Chen D14/240

D798,856 S * 10/2017 Menendez D14/313
D900,796 S * 11/2020 Wang D14/242
D904,362 S * 12/2020 Menendez D14/240
D914,679 S * 3/2021 Tsai D14/328
D918,882 S * 5/2021 Andersson D14/240
2019/0104644 A1* 4/2019 Shoji H04B 7/26

FOREIGN PATENT DOCUMENTS

CN 307203295 * 3/2022
EM 002235960-0001 5/2013
EM 002633321-0001 9/2017

(Continued)

Primary Examiner — Bridget L Eland

(74) *Attorney, Agent, or Firm* — McAndrews Held & Malloy, Ltd.

(57) **CLAIM**

The ornamental design for an router, as shown and described.

DESCRIPTION

FIG. 1 is a front perspective view of an router showing my new design;

FIG. 2 is a front view thereof;

FIG. 3 is a rear view thereof;

FIG. 4 is a left side view thereof;

FIG. 5 is a right side view thereof;

FIG. 6 is a top view thereof;

FIG. 7 is a bottom view thereof;

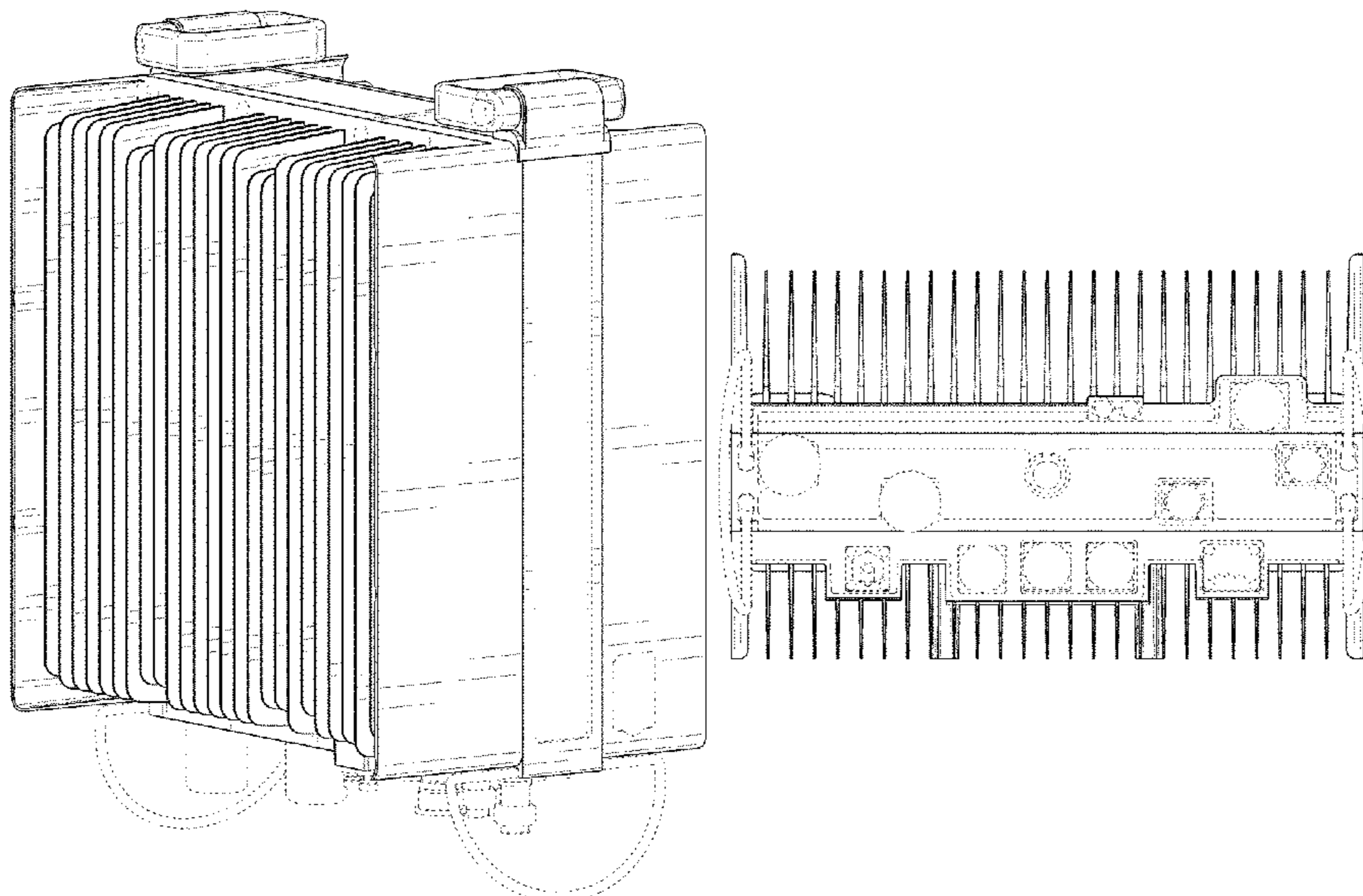
FIG. 8 is an enlarged view of the portion 8 encircled in FIG. 2; and,

FIG. 9 is an enlarged view of the portion 9 encircled in FIG. 3.

The dashed broken lines in the figures illustrate portions of the router that form no part of the claimed design.

The dot-dot-dash broken lines in the drawings encircling portions of the claimed design that are illustrated in enlargements form no part of the claimed design.

1 Claim, 9 Drawing Sheets



(56)

References Cited

FOREIGN PATENT DOCUMENTS

EM	005618295-0004	9/2018
JP	D1698461	* 11/2021
KR	30-0467523	11/2007
KR	30-0757450	8/2014
KR	301079479.0000	* 10/2020
KR	301126933.0000	* 9/2021
KR	301135296.0000	* 11/2021
KR	301140405.0000	* 12/2021
WO	D215030-001	* 12/2021

* cited by examiner

FIG. 1

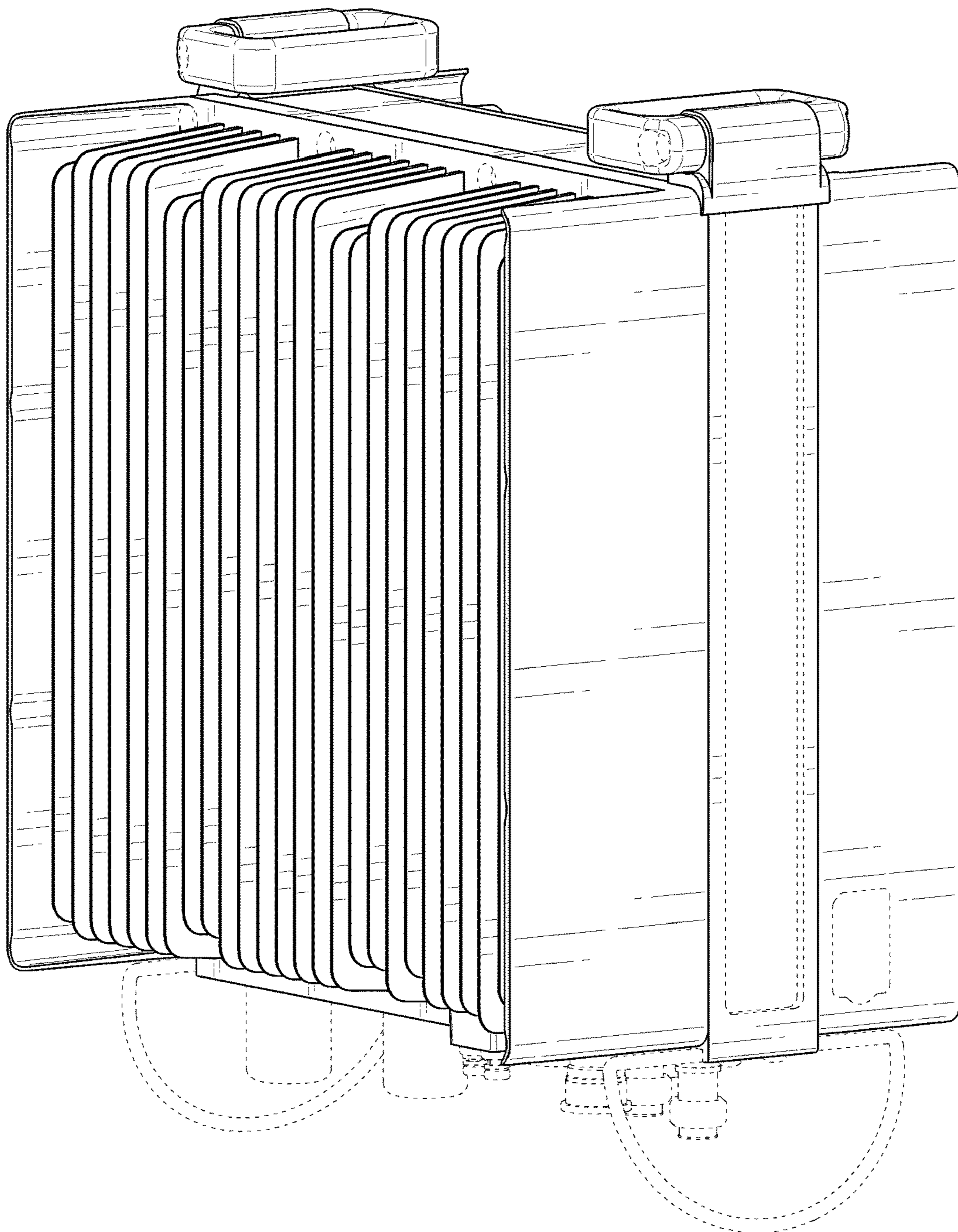


FIG. 2

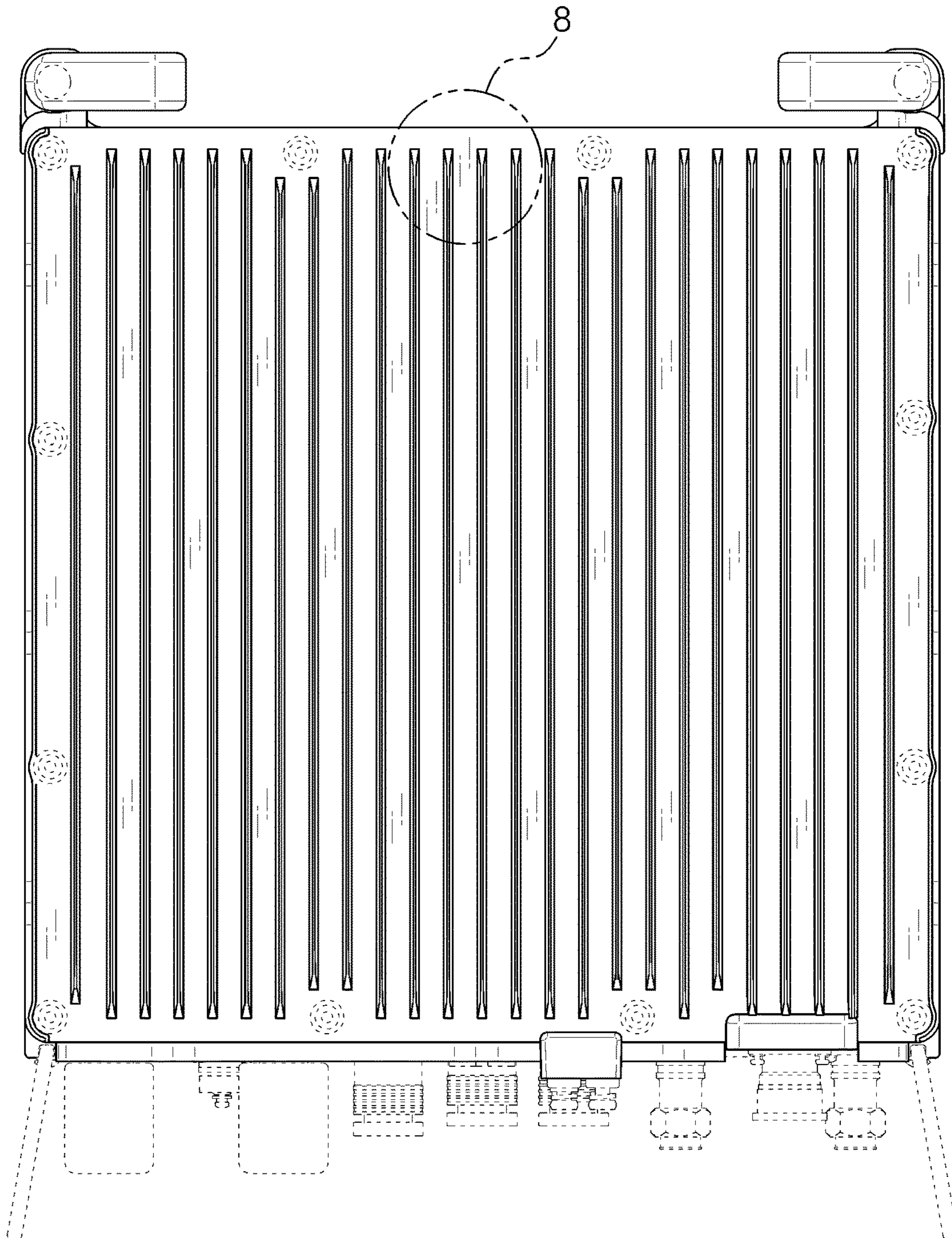


FIG. 3

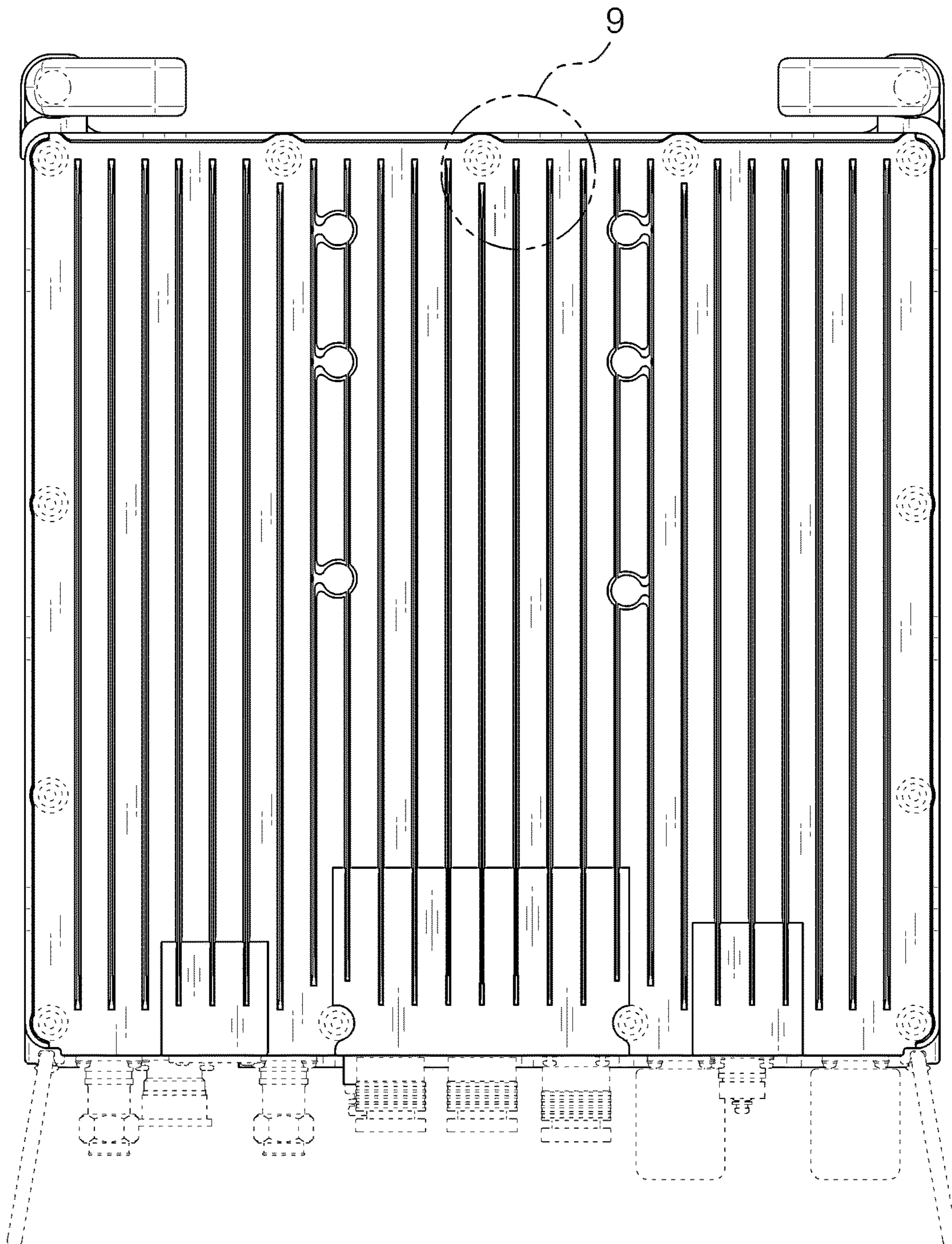


FIG. 4

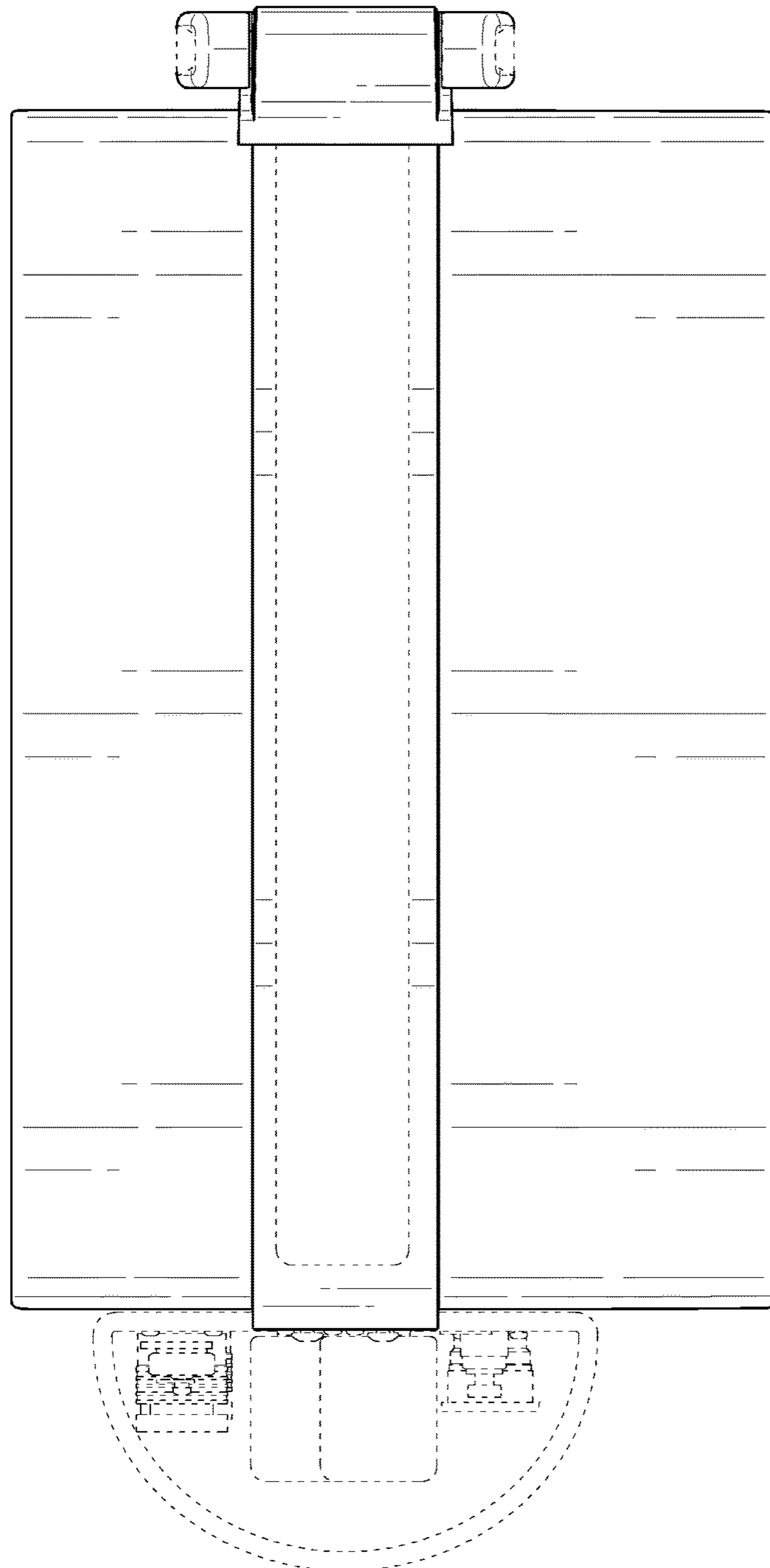


FIG. 5

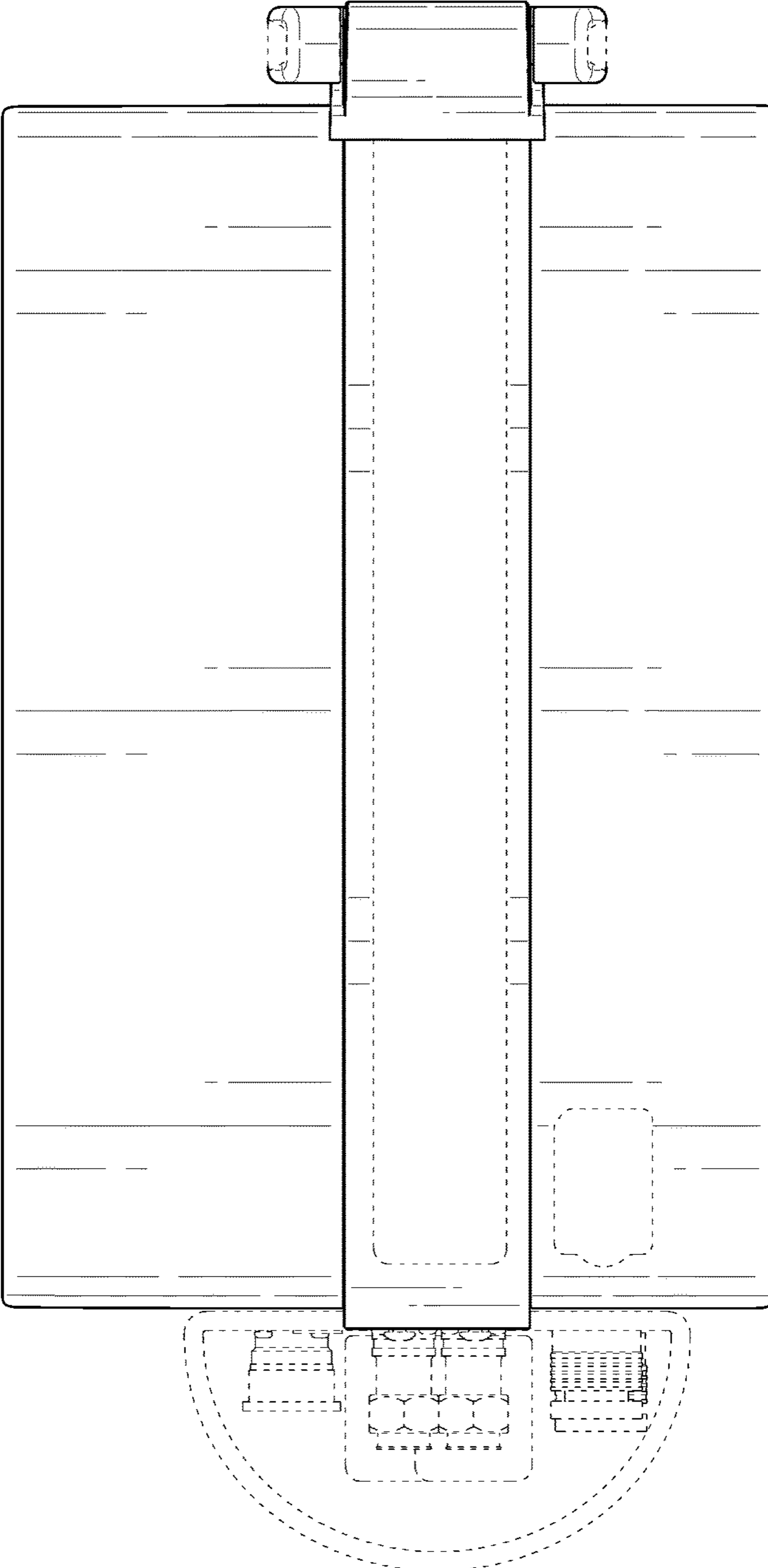


FIG. 6

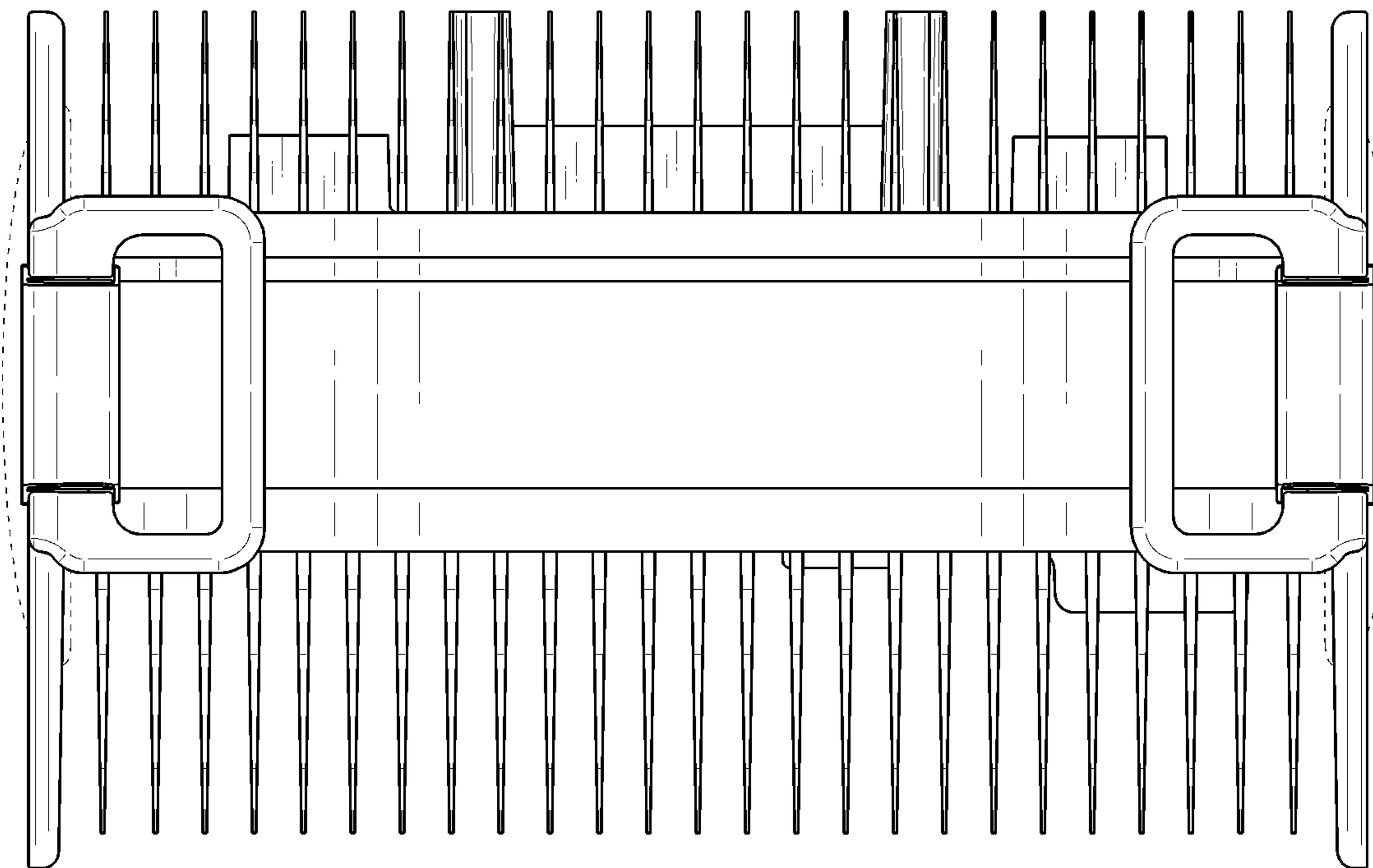


FIG. 7

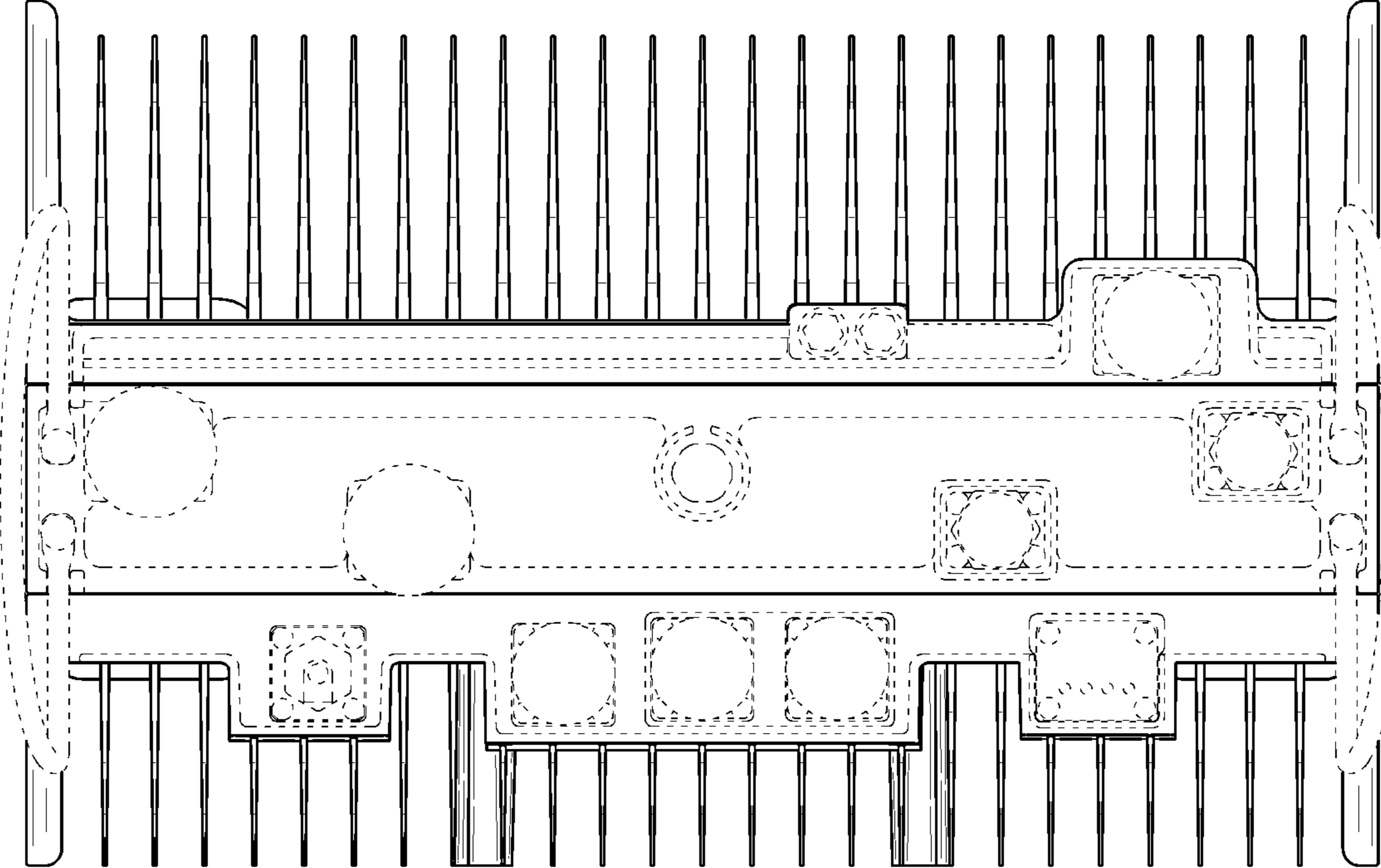


FIG. 8

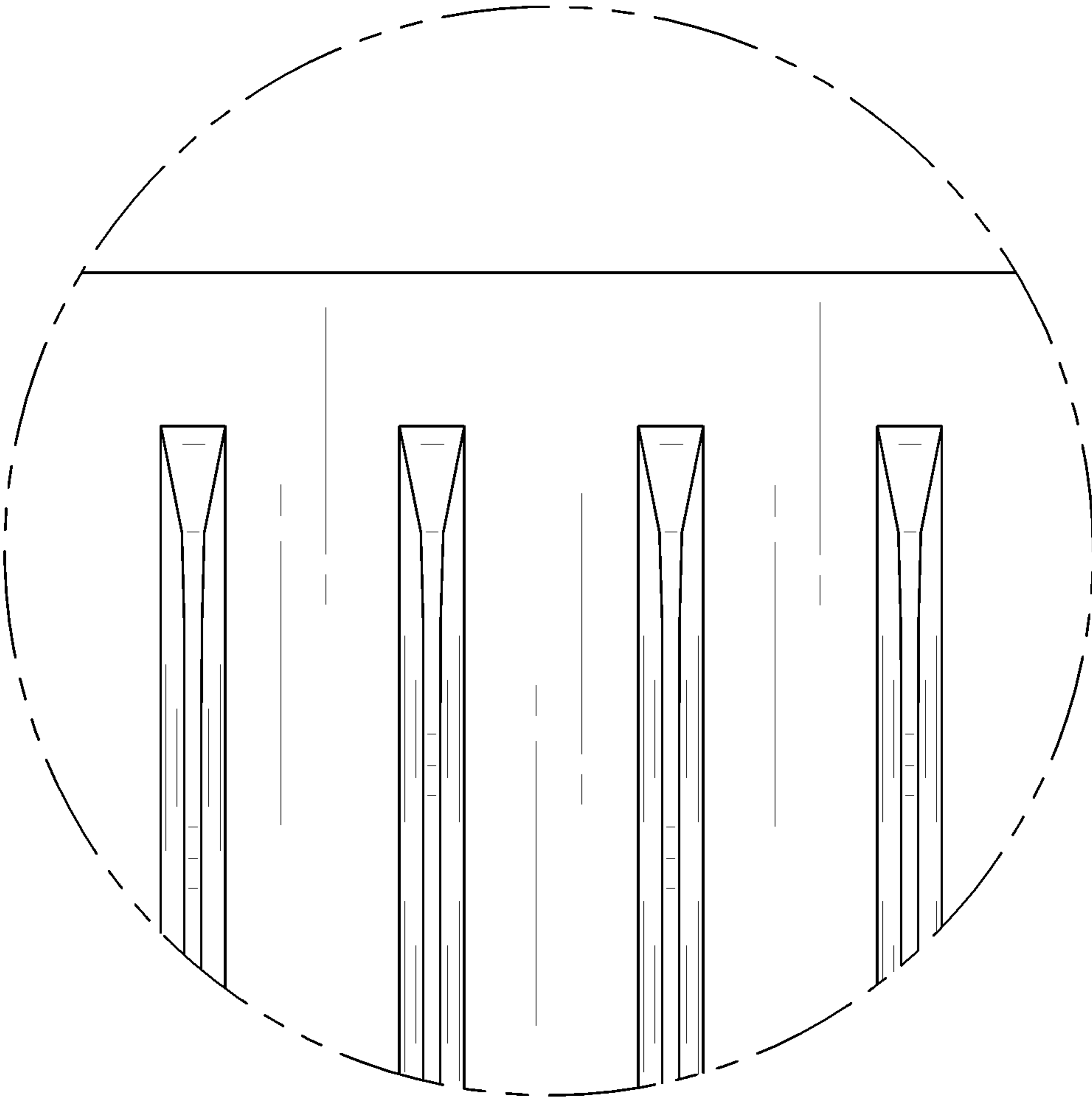


FIG. 9

