



US00D963628S

(12) **United States Design Patent** (10) **Patent No.:** **US D963,628 S**  
**McManigal et al.** (45) **Date of Patent:** **\*\* Sep. 13, 2022**

- (54) **ELECTRONICS DEVICE MOUNT**
- (71) Applicant: **Arlo Technologies, Inc.**, Carlsbad, CA (US)
- (72) Inventors: **Scott McManigal**, Newport Beach, CA (US); **Christopher Fonzo**, Carlsbad, CA (US); **David Tong**, San Diego, CA (US); **Glen Oross**, San Diego, CA (US)
- (73) Assignee: **Arlo Technologies, Inc.**, Carlsbad, CA (US)

D824,985 S \* 8/2018 Teachworth ..... D16/203  
 D841,716 S \* 2/2019 Teachworth ..... D16/203  
 10,419,649 B2 9/2019 Gilbert  
 (Continued)

(\*\*) Term: **15 Years**

(21) Appl. No.: **29/747,595**

(22) Filed: **Aug. 24, 2020**

(51) **LOC (13) Cl.** ..... **14-03**

(52) **U.S. Cl.**  
USPC ..... **D14/238**

(58) **Field of Classification Search**  
USPC ..... D14/238; D16/203; D22/108  
CPC ..... F16M 11/04; G03B 17/561  
See application file for complete search history.

(56) **References Cited**

**U.S. PATENT DOCUMENTS**

D225,221 S	11/1972	Sikorski et al.	
D231,536 S	4/1974	Finke et al.	
D261,768 S	11/1981	Metz	
D320,603 S	10/1991	Jones	
D321,886 S	11/1991	Metivier	
D329,433 S	9/1992	Wilson	
D373,769 S	9/1996	Whitehouse	
D399,847 S	10/1998	Seifert	
D634,308 S	3/2011	Bliss et al.	
D758,230 S	6/2016	Hojmose	
D773,443 S	12/2016	Sano	
D775,612 S	1/2017	Sano	
D806,691 S	1/2018	Andersson	
D823,840 S *	7/2018	Gilbert	..... D14/238
10,038,829 B2	7/2018	Gilbert	

**OTHER PUBLICATIONS**

[Arlo Certified Accessory], available in Amazon.com, date first available Apr. 8, 2020 [online], [site visited Oct. 6, 2021], Available from the internet URL: [https://www.amazon.com/Arlo-Certified-Accessory-Compatible-VMA5100-10000S/dp/B086WPRYBY/ref=sr\\_1\\_24](https://www.amazon.com/Arlo-Certified-Accessory-Compatible-VMA5100-10000S/dp/B086WPRYBY/ref=sr_1_24) (Year: 2020).\*

(Continued)

*Primary Examiner* — Khawaja Anwar  
*Assistant Examiner* — Megan Tiana Rakos  
(74) *Attorney, Agent, or Firm* — Boyle Fredrickson S.C.

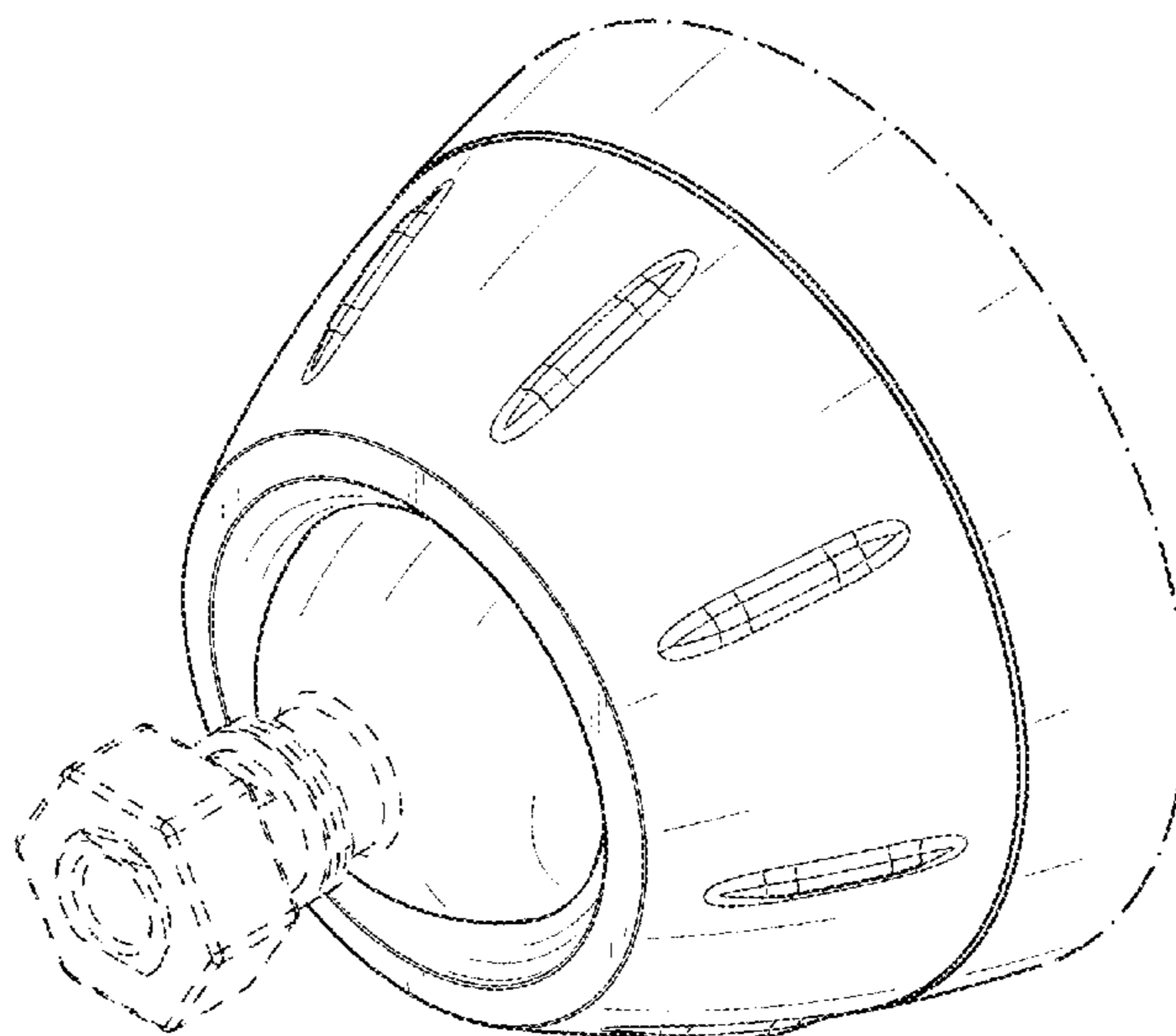
(57) **CLAIM**

The ornamental design for an electronics device mount, as shown and described.

**DESCRIPTION**

FIG. 1 is a top, front, right side perspective view of an electronics device mount our new design in conjunction of an electronics device in the form of a housing;  
 FIG. 2 is a top, front, right side perspective view of an electronics device mount our new design;  
 FIG. 3 is a front elevation view thereof;  
 FIG. 4 is a rear elevation view thereof;  
 FIG. 5 is a right-side elevation view thereof;  
 FIG. 6 is a left-side elevation view thereof;  
 FIG. 7 is a top plan view thereof; and,  
 FIG. 8 is a bottom plan view thereof.  
 The dashed broken lines in the drawings represent unclaimed portions of the design or the environment of the claimed design, and the dash-dot broken lines represent boundaries of the claimed design. All of the broken lines form no part of the claimed design.

**1 Claim, 8 Drawing Sheets**



(56)

**References Cited**

U.S. PATENT DOCUMENTS

D870,096 S \* 12/2019 McSweyn ..... D14/253  
D875,736 S \* 2/2020 Ramones ..... D14/447  
D888,138 S \* 6/2020 Rao ..... D16/242  
D890,158 S \* 7/2020 Alves ..... D14/253  
D891,405 S \* 7/2020 Ramones ..... D14/238  
D902,289 S \* 11/2020 Burns ..... D16/242  
D907,025 S \* 1/2021 Corraliza ..... D14/253  
2005/0110649 A1 5/2005 Fredricks et al.  
2021/0281090 A1\* 9/2021 Stevens ..... G03B 17/561

OTHER PUBLICATIONS

Design U.S. Appl. No. 29/698,618, filed Jul. 18, 2019 (12 pages).

\* cited by examiner

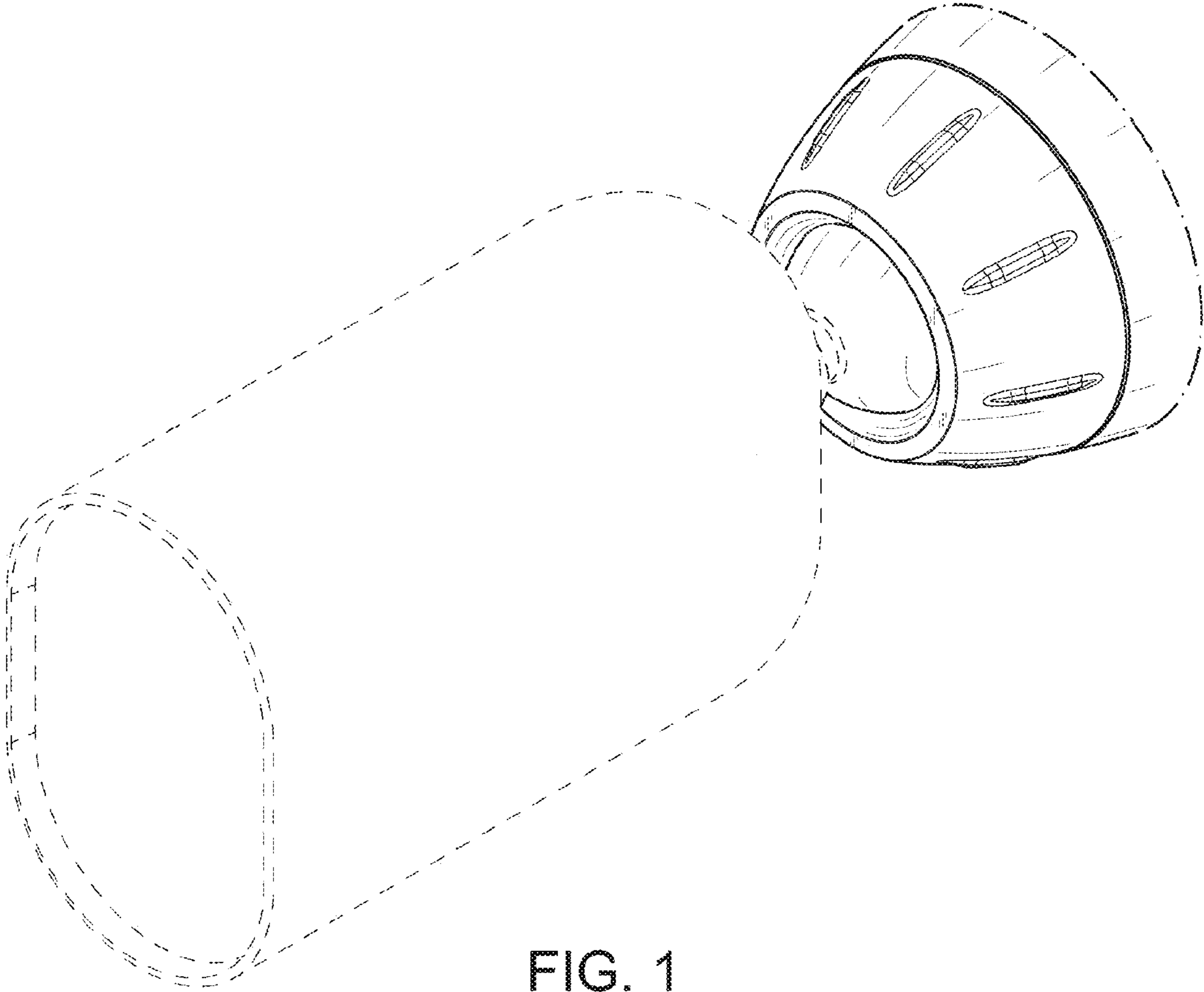


FIG. 1

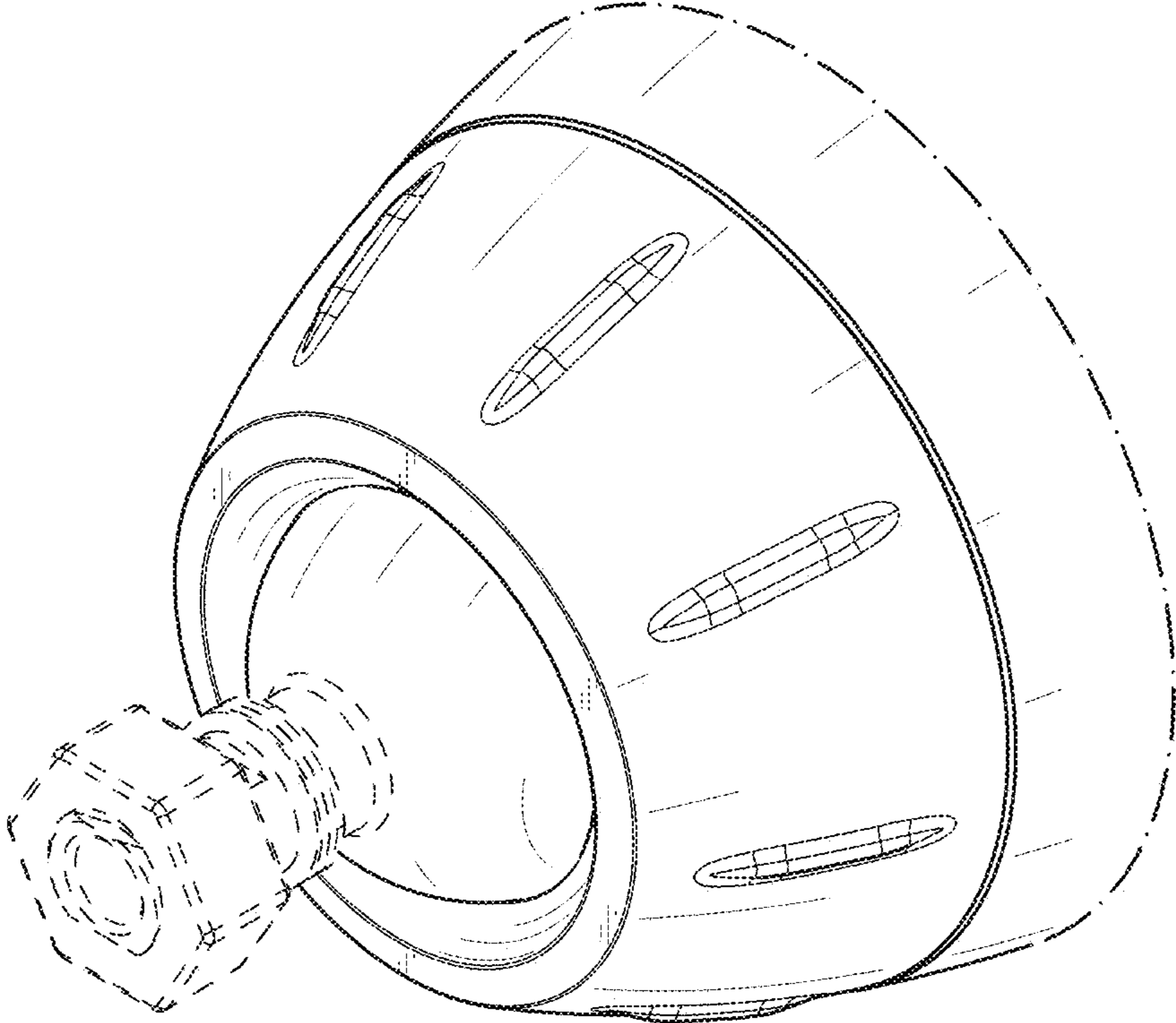


FIG. 2

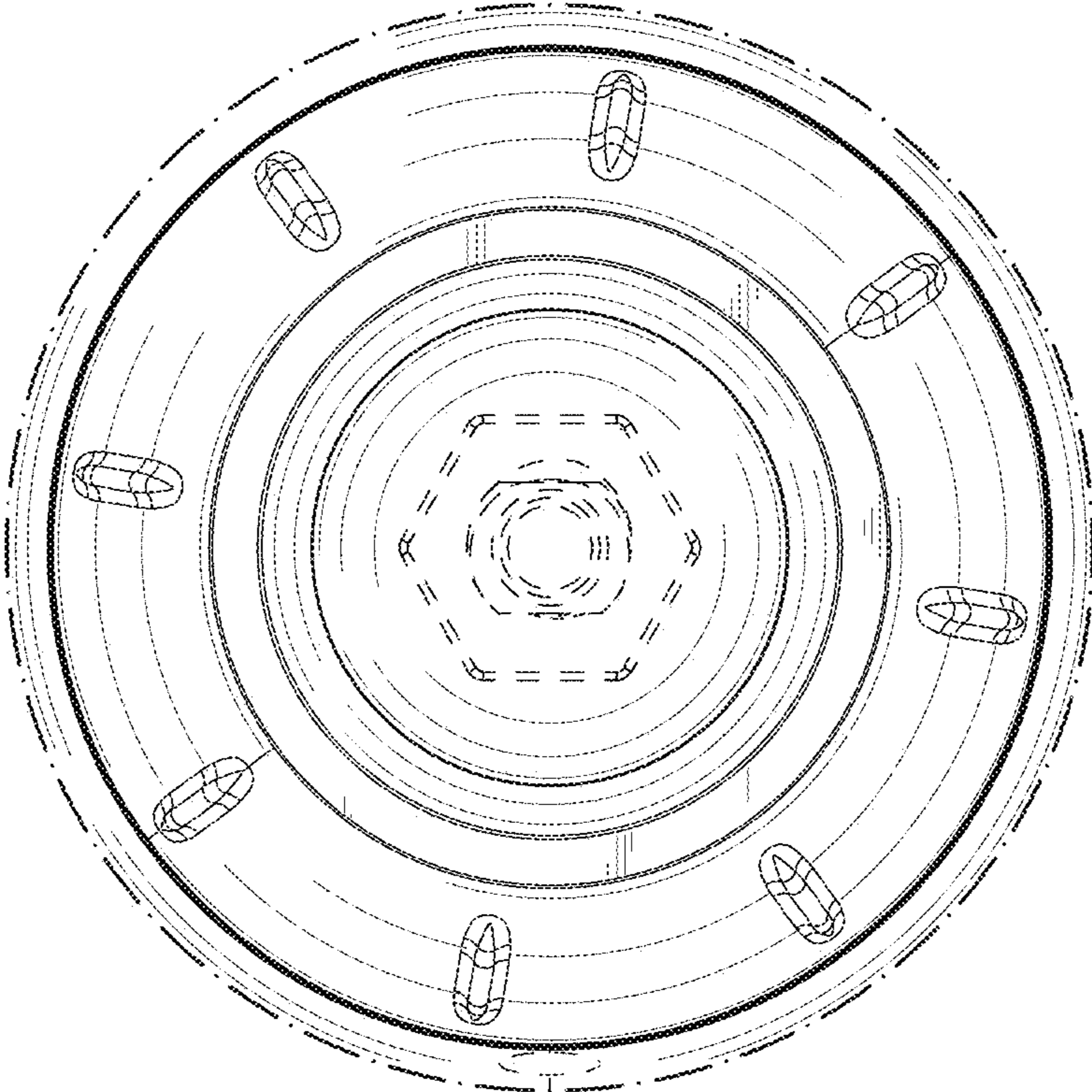


FIG. 3

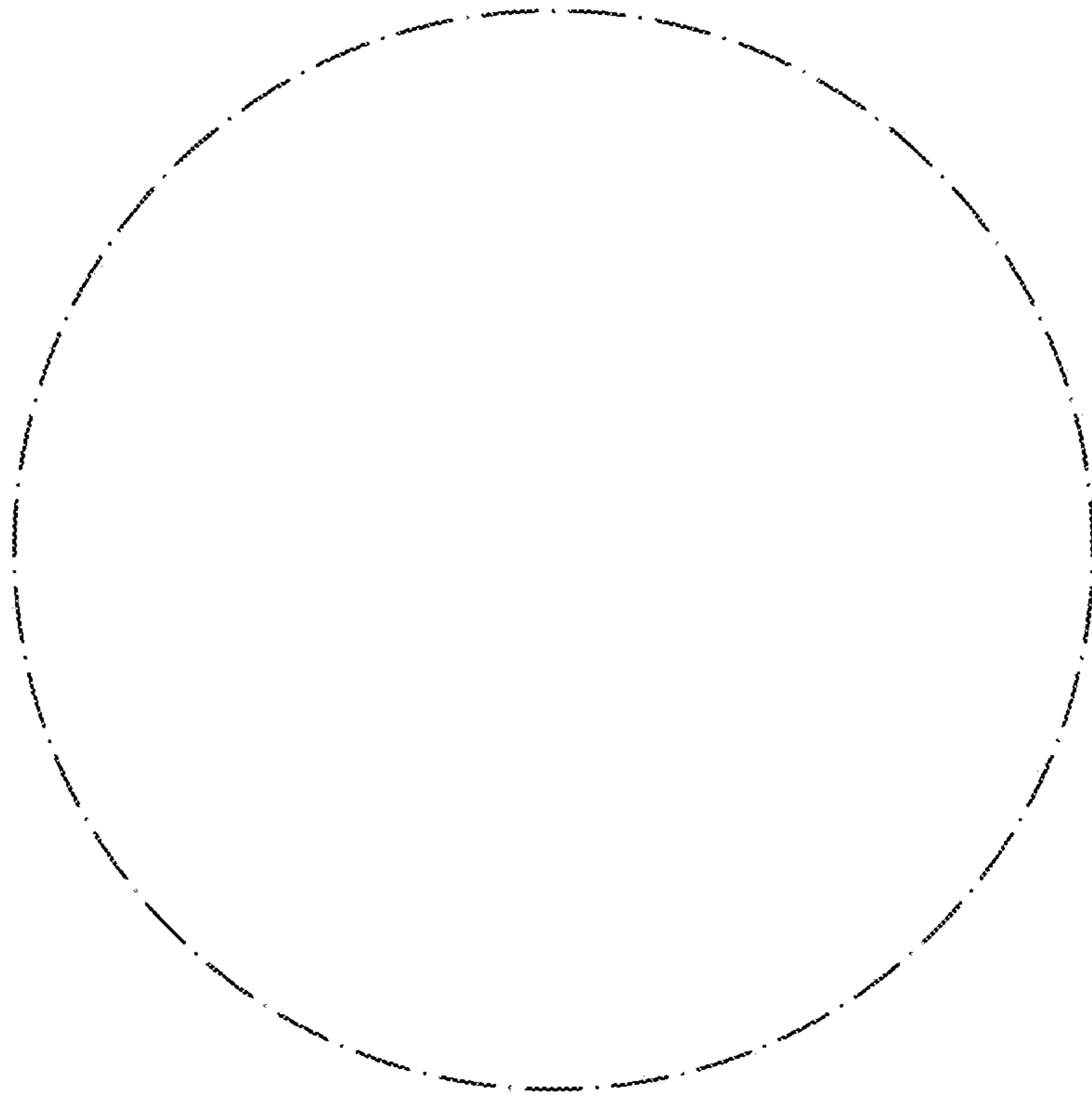


FIG. 4

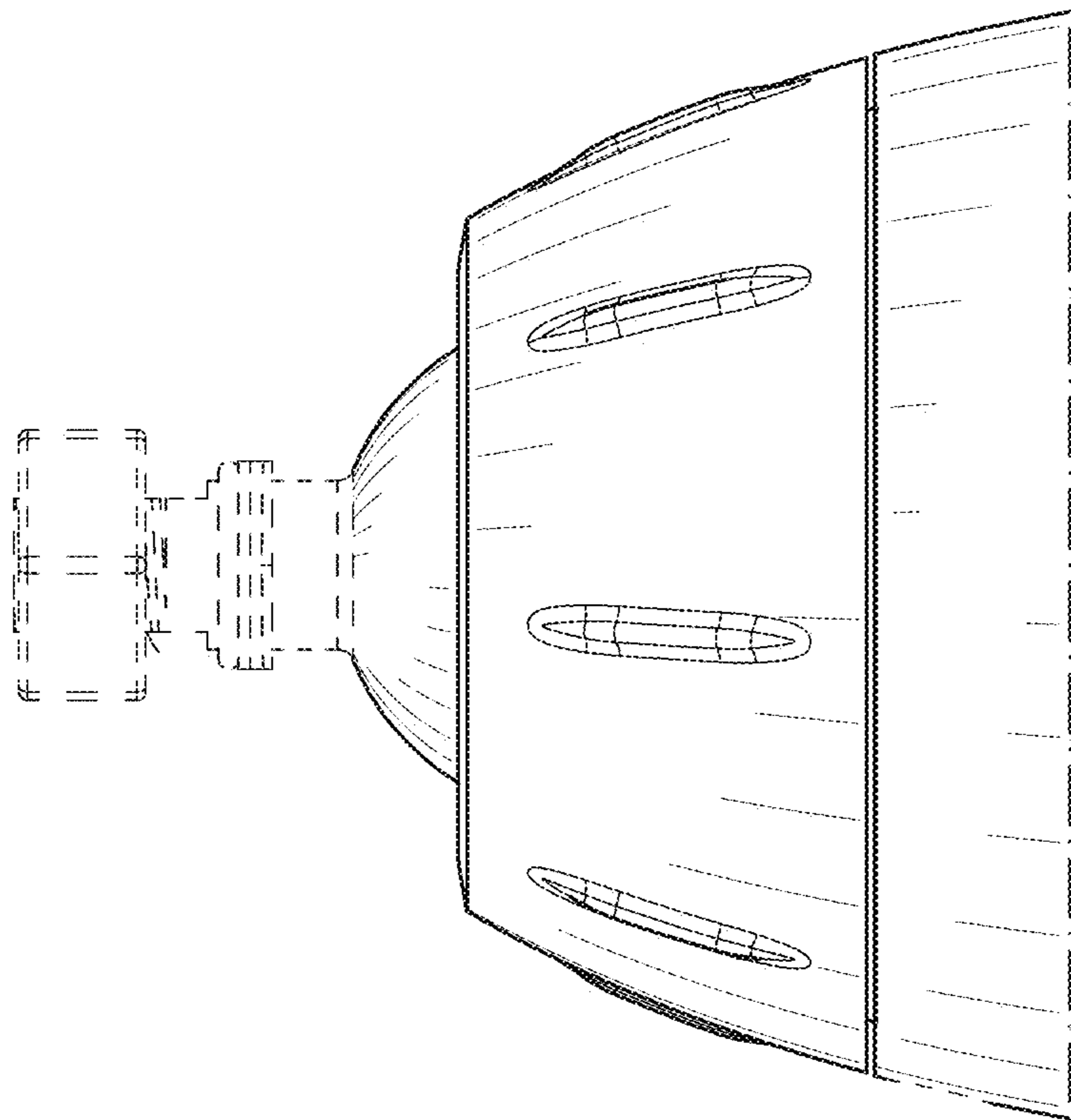


FIG. 5

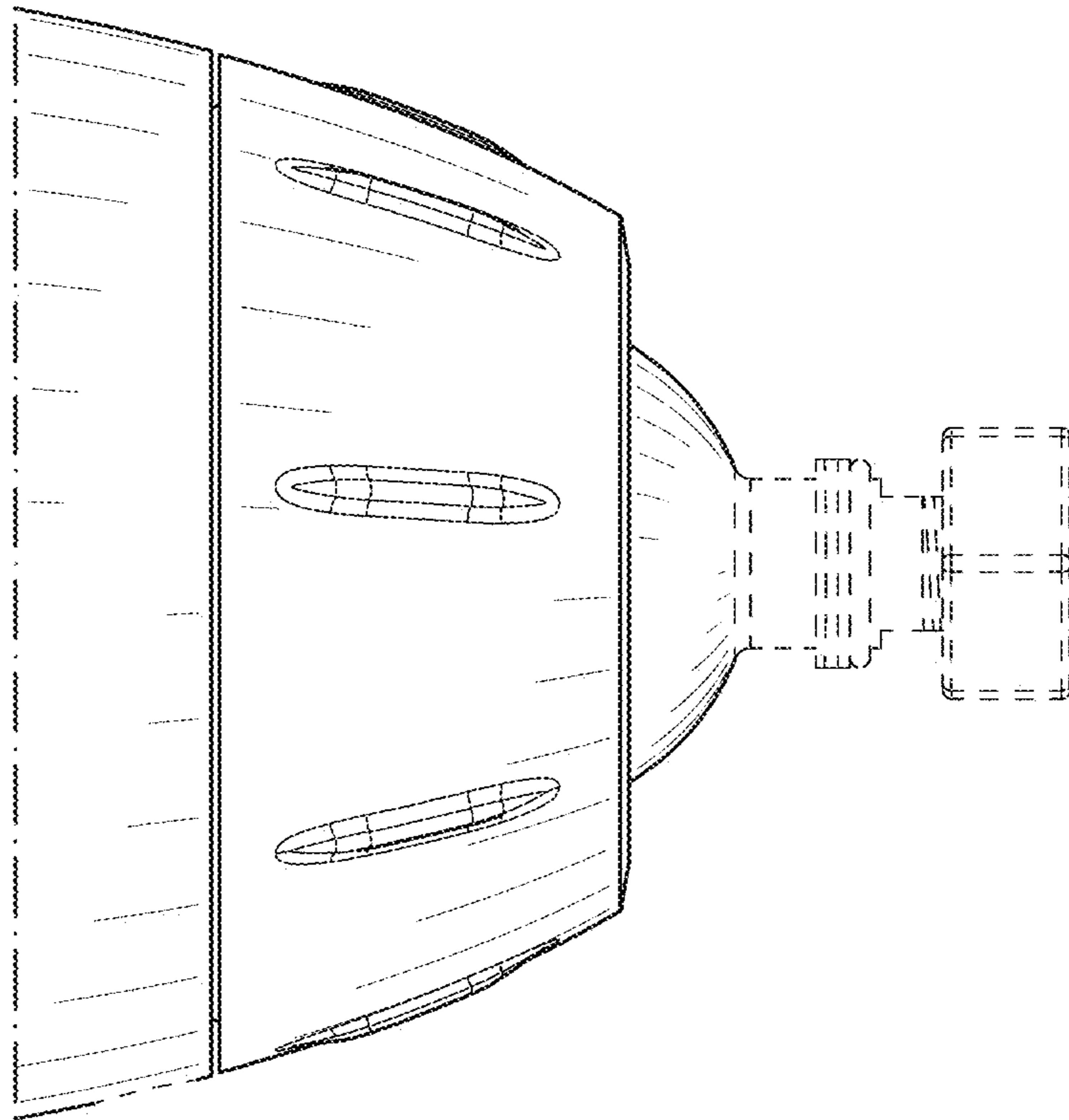


FIG. 6



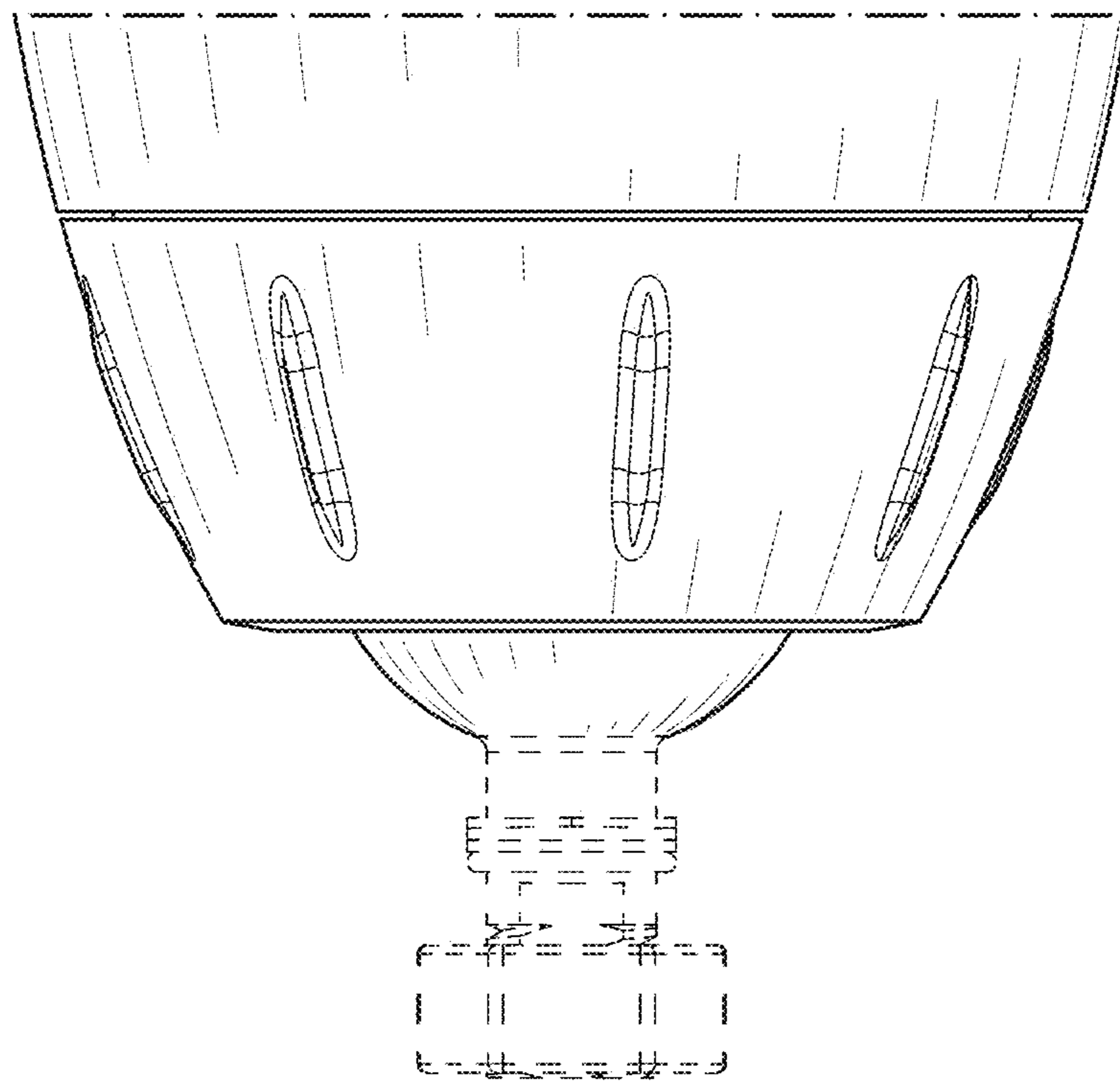


FIG. 7

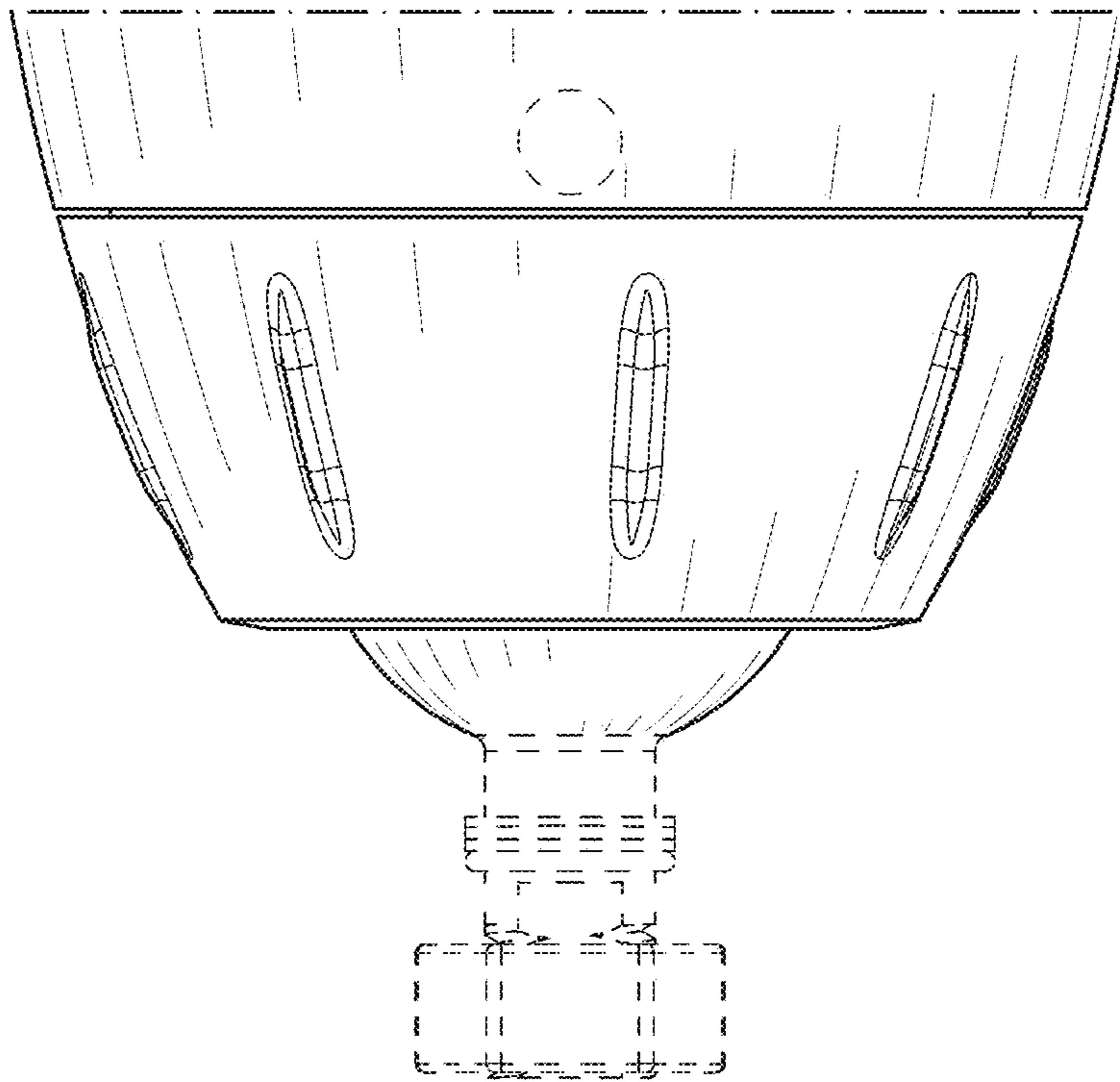


FIG. 8