



US00D963624S

(12) **United States Design Patent**  
**Wang et al.**

(10) **Patent No.:** **US D963,624 S**  
(45) **Date of Patent:** **\*\* Sep. 13, 2022**

(54) **RADAR**

- (71) Applicant: **TRON FUTURE TECH INC.,**  
Hsinchu (TW)
- (72) Inventors: **Yu-Jiu Wang,** Hsinchu (TW); **Yu-Ju Chen,** Hsinchu (TW); **Chien-Cheng Wang,** Hsinchu (TW); **Shu-Chao Hsieh,** Hsinchu (TW)
- (73) Assignee: **TRON FUTURE TECH INC.,**  
Hsinchu (TW)

(\*\*) Term: **15 Years**

(21) Appl. No.: **29/758,585**

(22) Filed: **Nov. 17, 2020**

(51) **LOC (13) Cl.** ..... **14-03**

(52) **U.S. Cl.**

USPC ..... **D14/230**

(58) **Field of Classification Search**

USPC ..... D14/18, 230–239, 299, 358; D10/65–70;  
D22/144; D8/20, 92, 391; D25/27

CPC ..... H01Q 7/00; H01Q 13/01; H01Q 9/285;  
H01Q 19/30; H01Q 19/12; H01Q 1/38;  
H01Q 1/36; H04B 1/0475; H04B 1/034;  
H05K 11/00

See application file for complete search history.

(56) **References Cited**

**U.S. PATENT DOCUMENTS**

D326,097 S *	5/1992	Ferrario	.....	D14/230
D470,837 S *	2/2003	Tourres	.....	D14/230
D527,378 S *	8/2006	Raymond	.....	D14/230
D554,110 S *	10/2007	Whiteside	.....	D14/230
D561,744 S *	2/2008	Whiteside	.....	D14/230

(Continued)

**FOREIGN PATENT DOCUMENTS**

CN	304333153	*	10/2017
CN	305071393	*	3/2019

(Continued)

**OTHER PUBLICATIONS**

Ottlite, “13 Watt Magnifying Task Lamp . . .”, available at walmart.com, oldest review date Nov. 11, 2015, date visited Jul. 13, 2022, Available at URL: <https://bit.ly/3P7yqOL> (Year: 2015).\*

(Continued)

*Primary Examiner* — Daniel J Domino

*Assistant Examiner* — Samina Vieth

(74) *Attorney, Agent, or Firm* — Birch, Stewart, Kolasch & Birch, LLP

(57) **CLAIM**

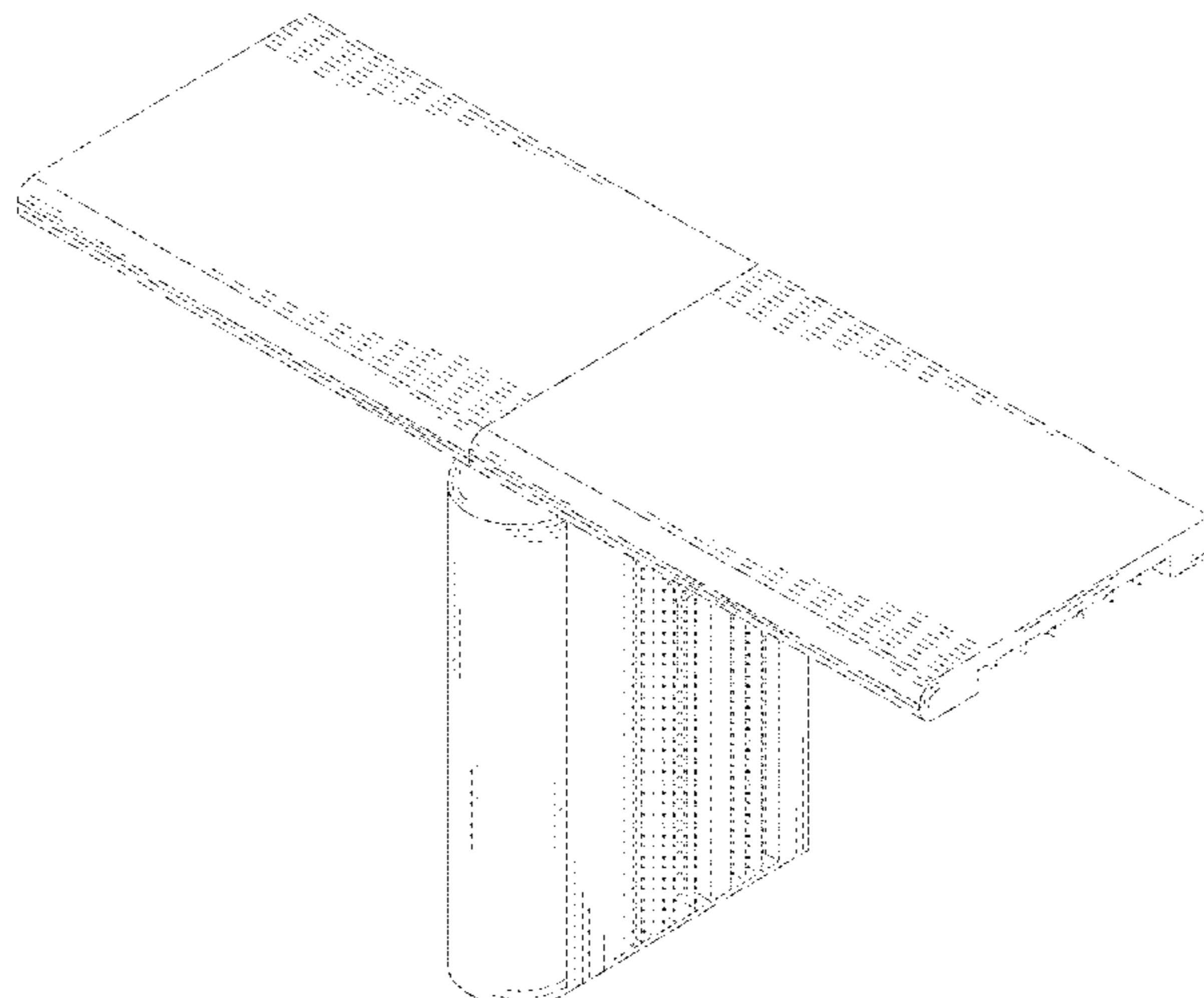
The ornamental design for a radar, substantially as shown and described.

**DESCRIPTION**

FIG. 1 is a top, front, and right side perspective view of a radar showing the new design;  
 FIG. 2 is a front view thereof;  
 FIG. 3 is a rear view thereof;  
 FIG. 4 is a left side view thereof;  
 FIG. 5 is a right side view thereof;  
 FIG. 6 is a top view thereof;  
 FIG. 7 is a bottom view thereof;  
 FIG. 8 is a bottom, front, and left side perspective view thereof;  
 FIG. 9 is a top, rear, and left side perspective view thereof;  
 FIG. 10 is a bottom, rear, and right side perspective view thereof;  
 FIG. 11 is a top, front, and right side perspective view showing the radar in a folded state; and,  
 FIG. 12 is a top, rear, and left side perspective view showing the radar in a folded state.

The broken lines shown in the figures illustrate portions of the article, and form no part of the claimed design.

**1 Claim, 12 Drawing Sheets**



(56)

**References Cited**

U.S. PATENT DOCUMENTS

D571,793 S \* 6/2008 Wu ..... D14/230  
D619,126 S \* 7/2010 Lee ..... D14/230  
D670,272 S \* 11/2012 Suzuki ..... D14/240  
D738,868 S \* 9/2015 Scott ..... D14/230  
D743,943 S \* 11/2015 Kim ..... D14/218  
D810,059 S \* 2/2018 Weber ..... D14/230  
D843,357 S \* 3/2019 Young ..... D14/230  
D886,805 S \* 6/2020 Yang ..... D14/230  
D930,628 S \* 9/2021 Wang ..... D14/230

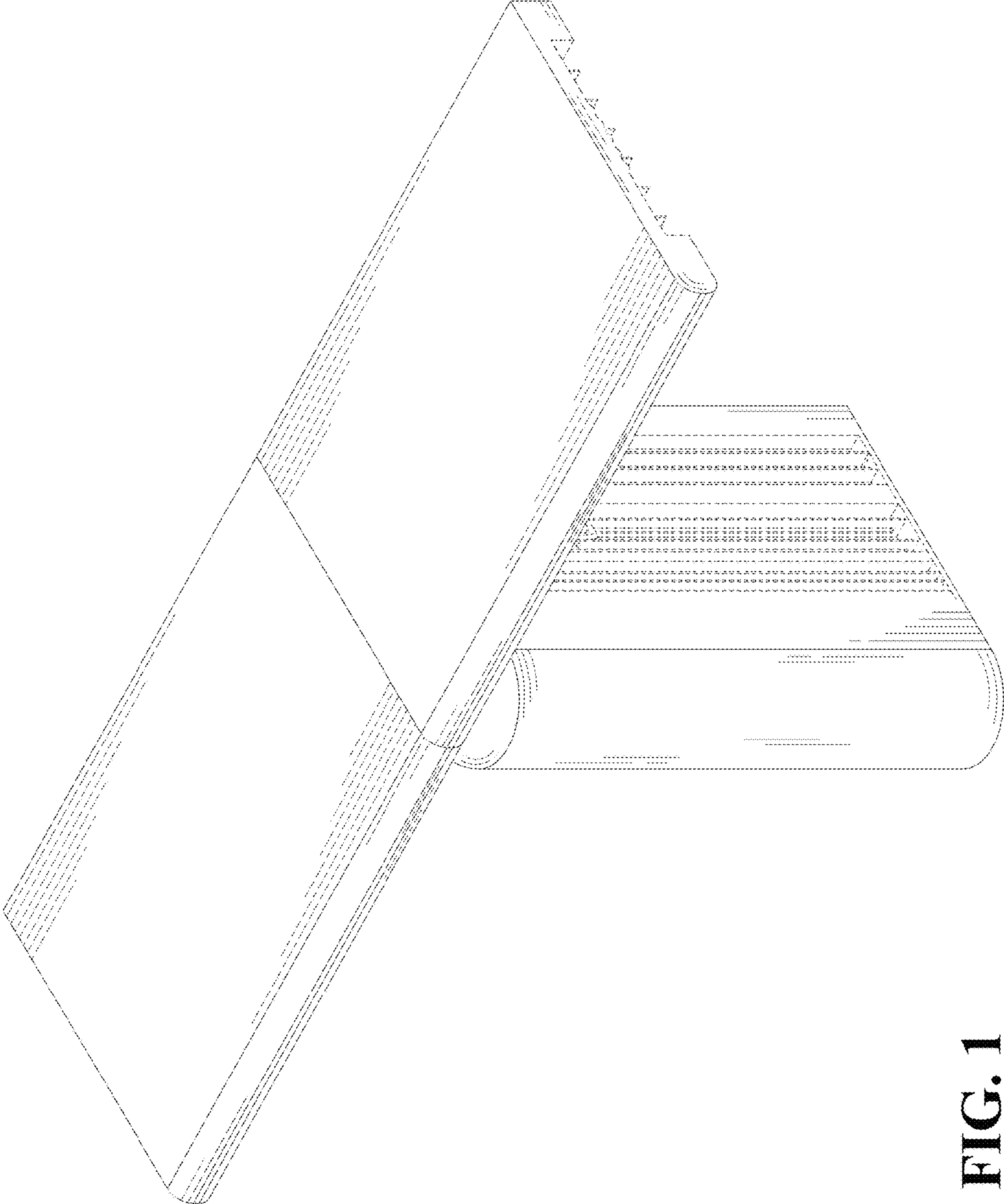
FOREIGN PATENT DOCUMENTS

JP D1544634 \* 2/2016  
JP D1576793 \* 5/2017  
JP D1146939 \* 7/2020  
KR 300753512.0000 \* 7/2014

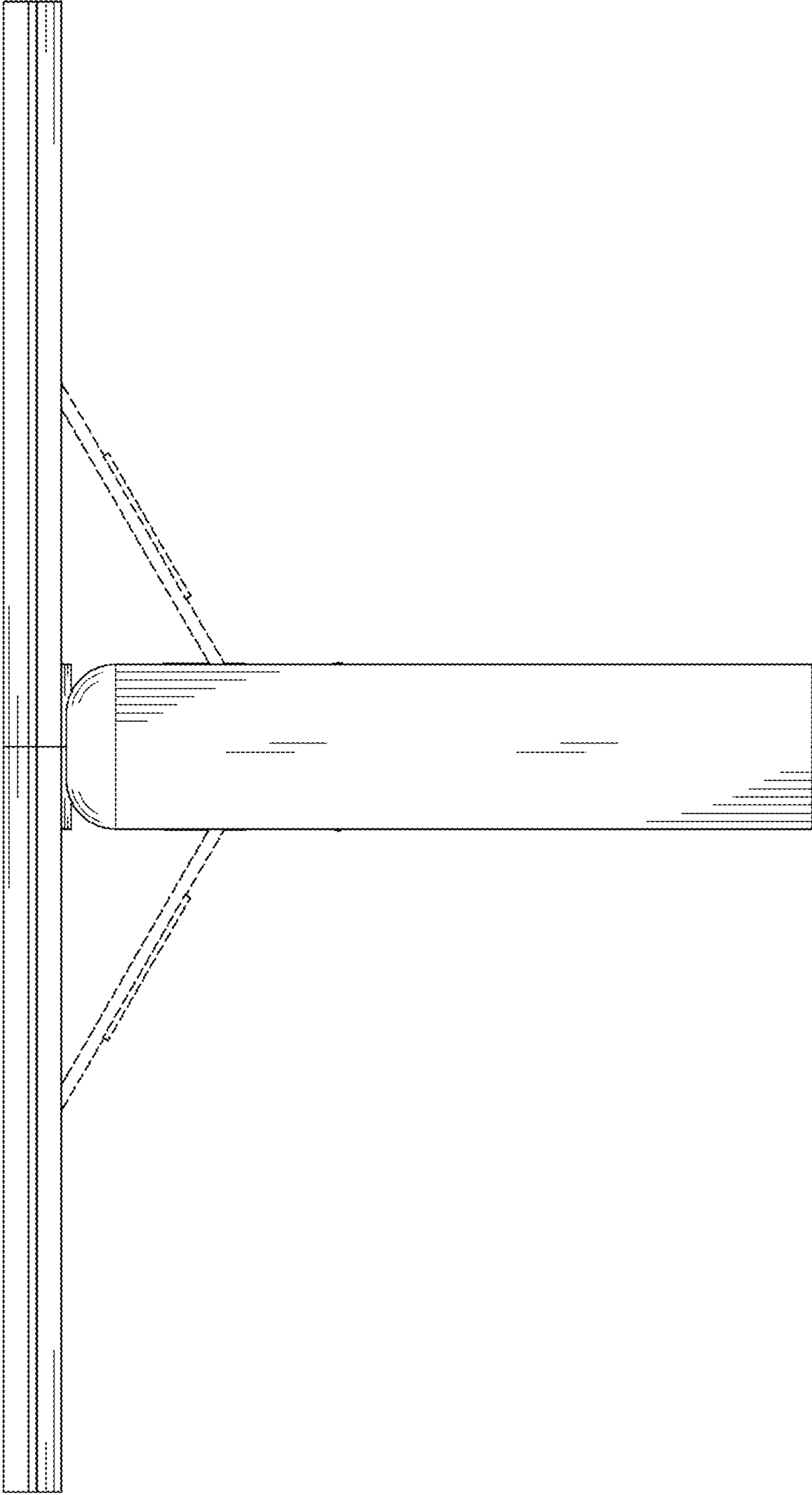
OTHER PUBLICATIONS

Garmin, "Garmin GMR 1224xHD2" available at g.factoryoutletstore.com, oldest review date Mar. 29, 2020, site visited Jul. 13, 2022, Available at URL: [https://g.factoryoutletstore.com/details/155034/garmin-gmr-1224-hd2.html?category\\_id=100436&catalogitemid=138102#reviews](https://g.factoryoutletstore.com/details/155034/garmin-gmr-1224-hd2.html?category_id=100436&catalogitemid=138102#reviews) (Year: 2020).\*

\* cited by examiner



**FIG. 1**



**FIG. 2**

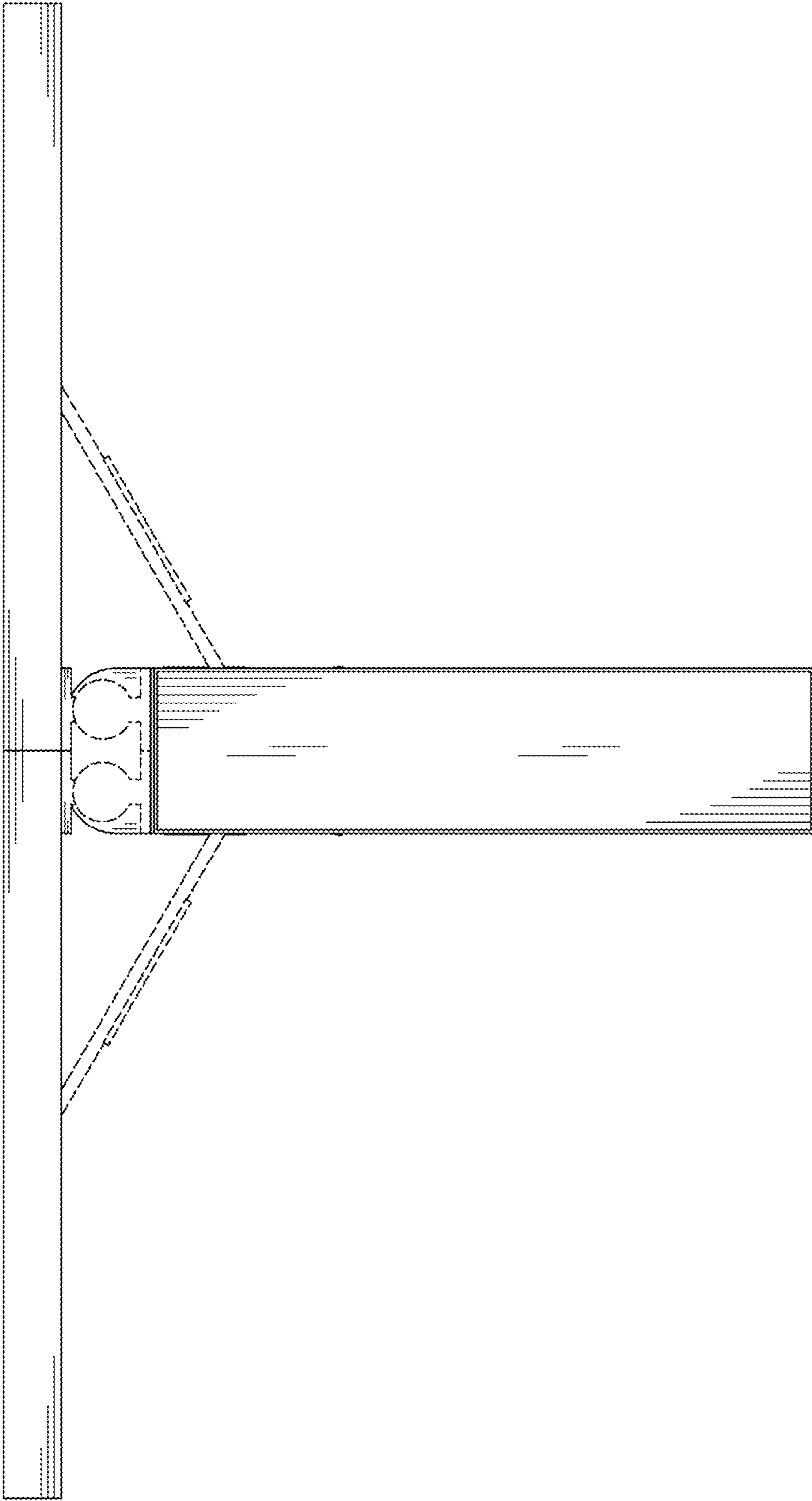
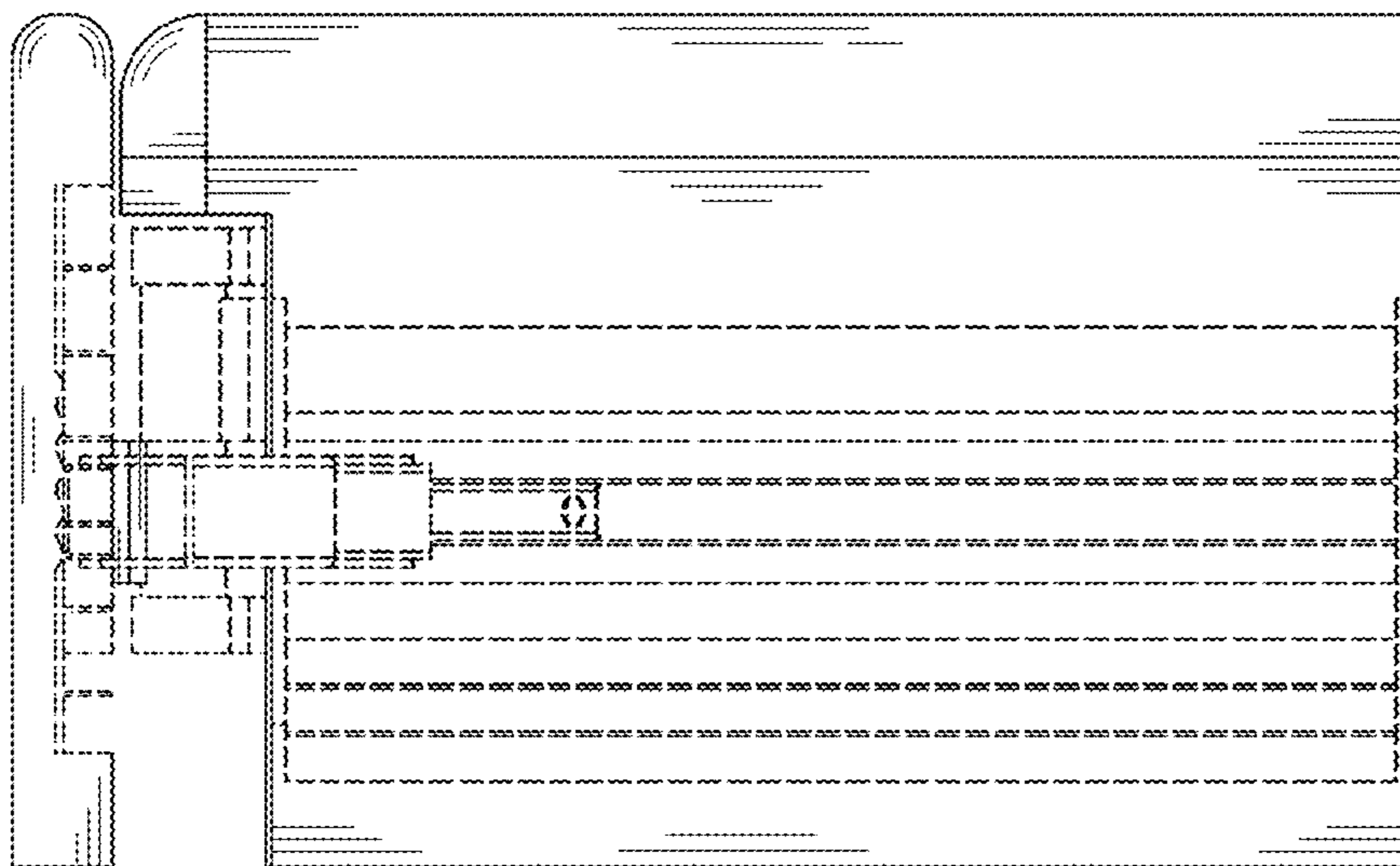
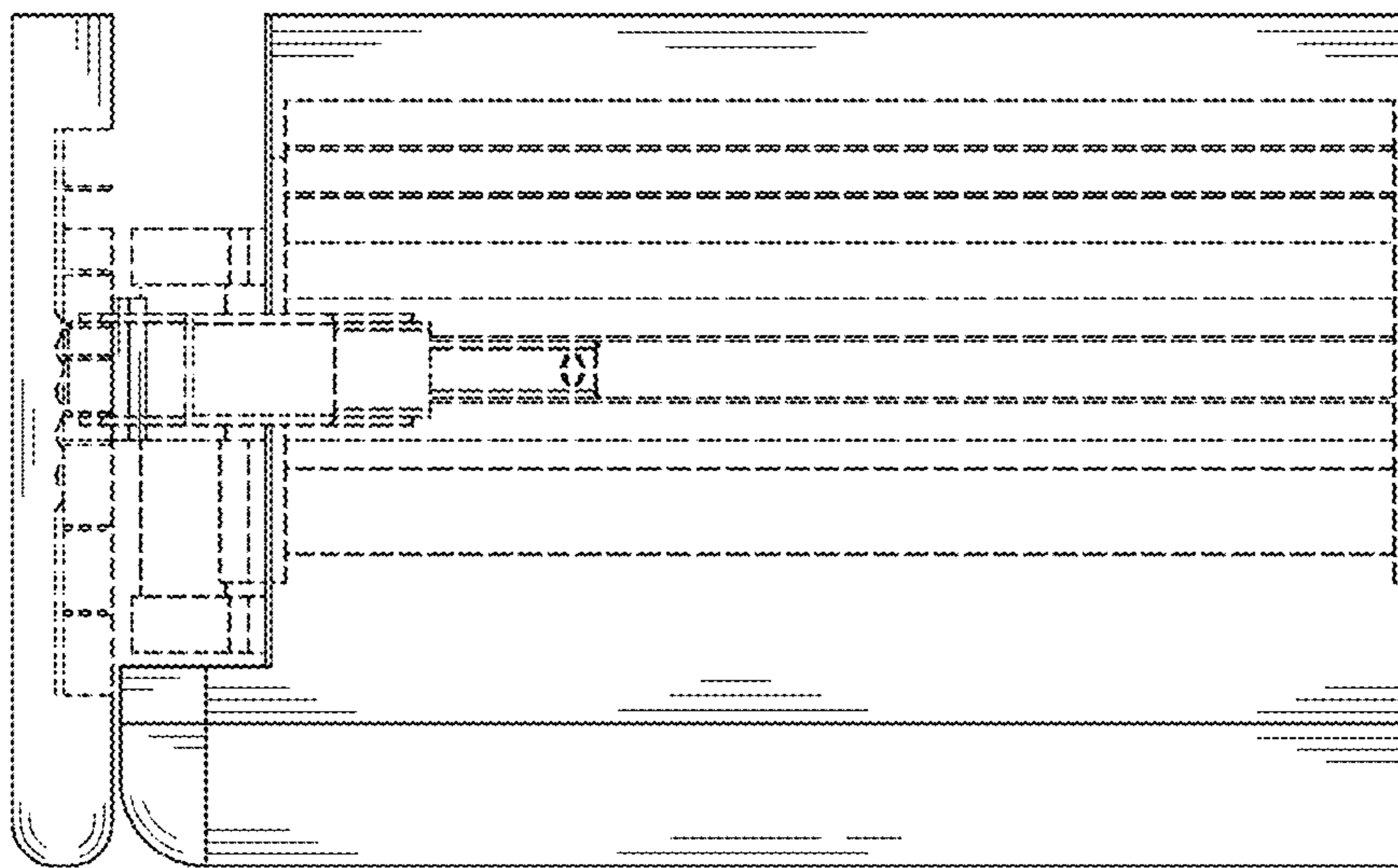


FIG. 3



**FIG. 4**



**FIG. 5**

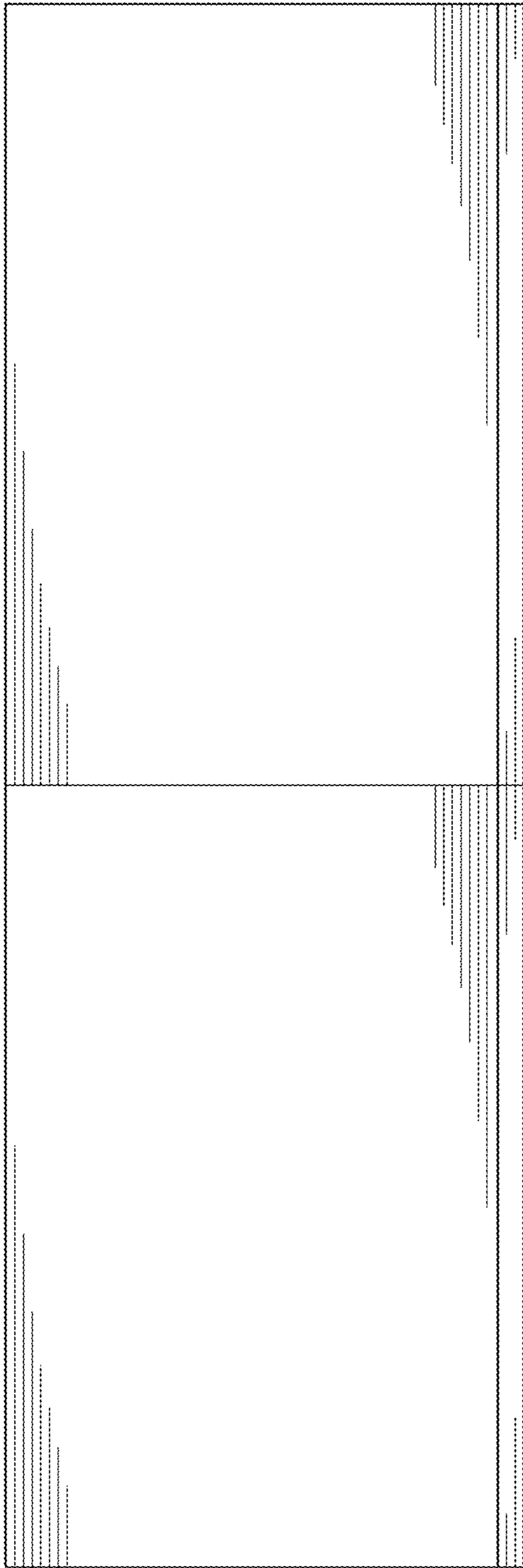


FIG. 6



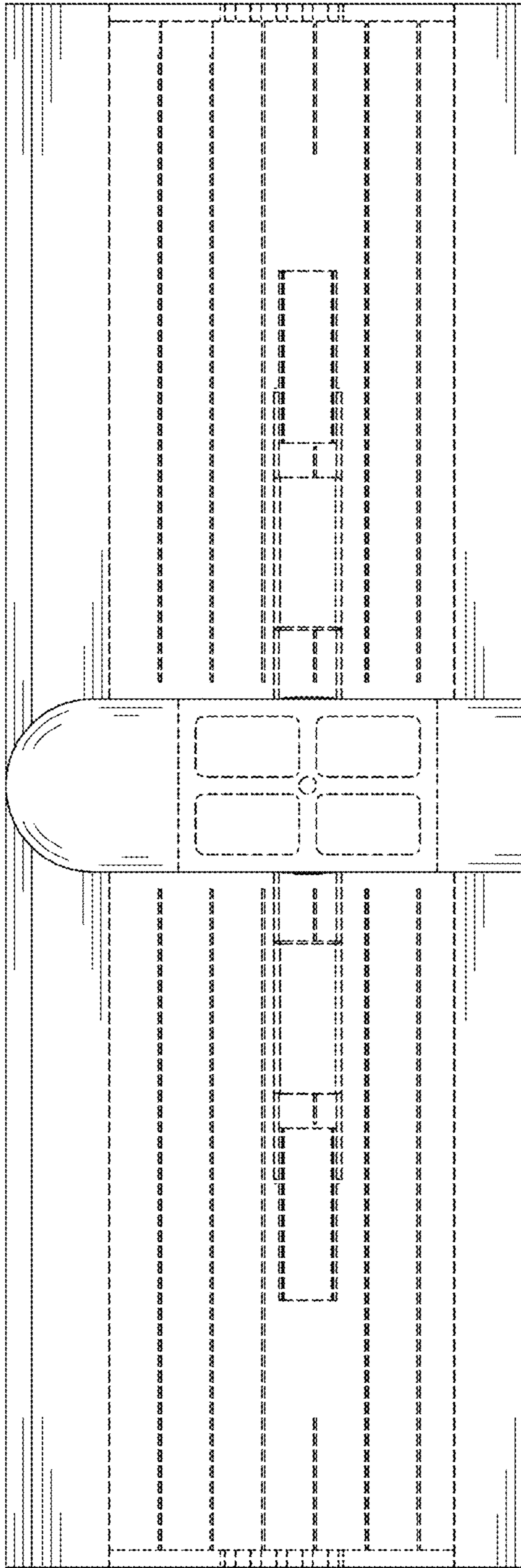
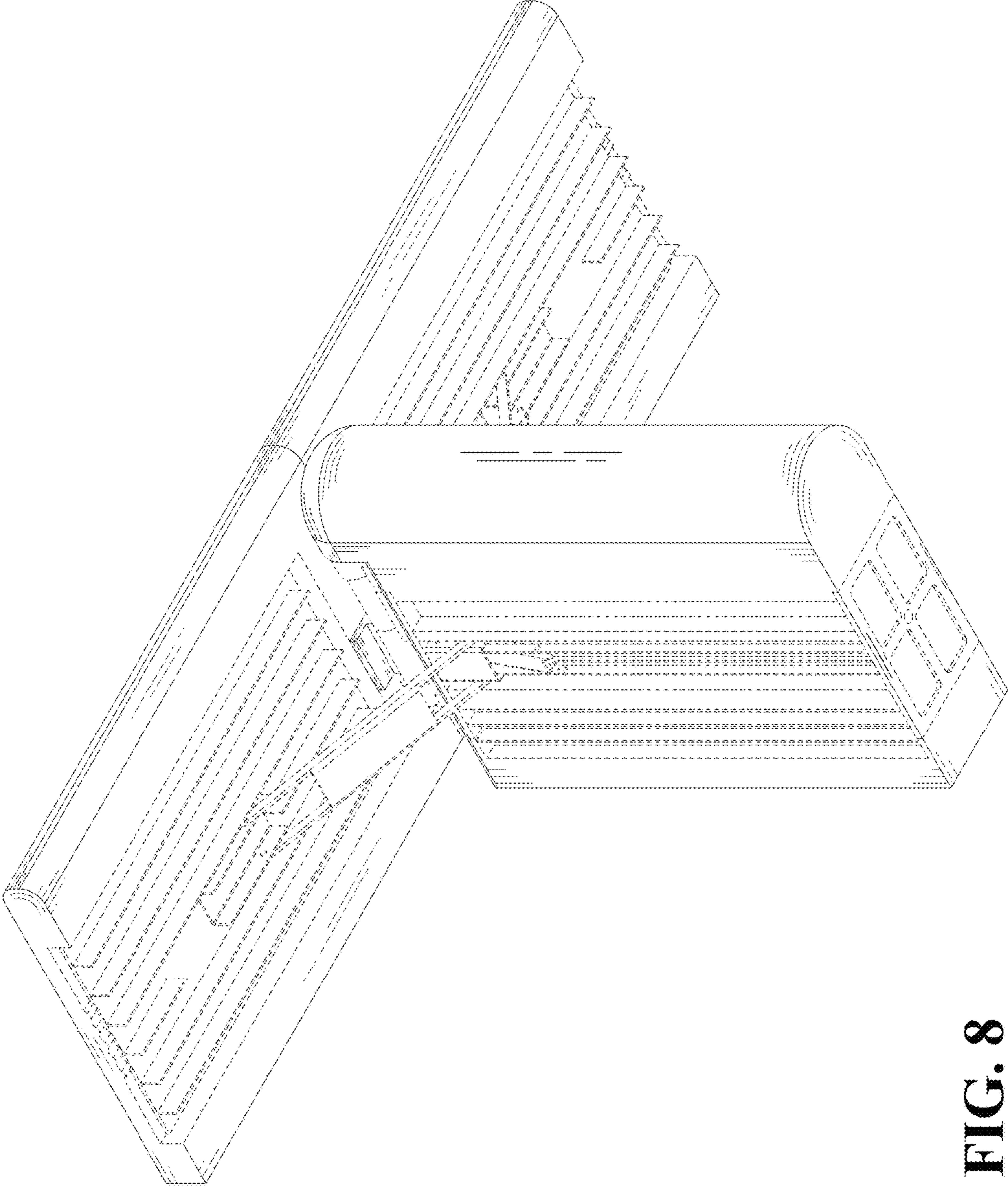
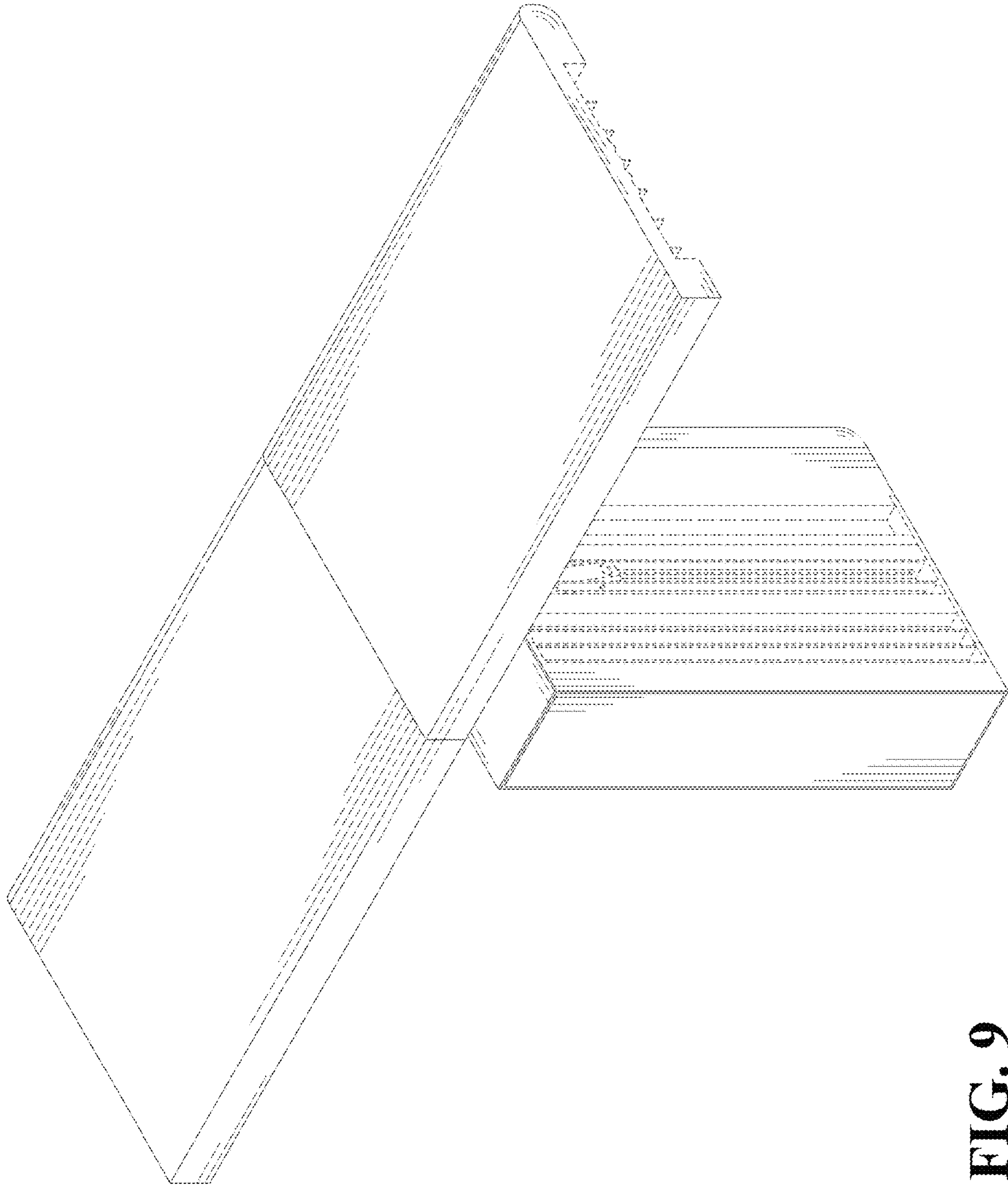


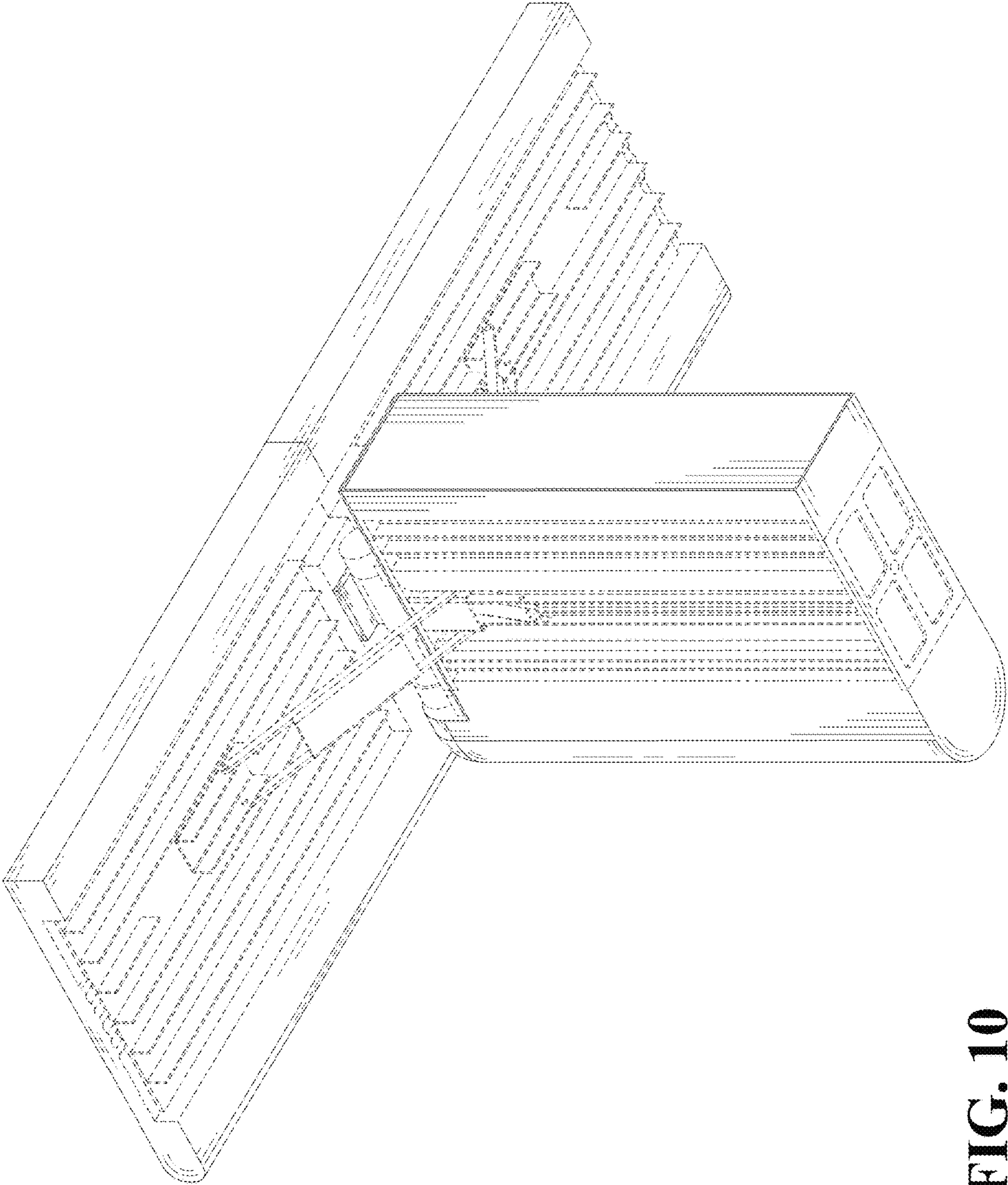
FIG. 7



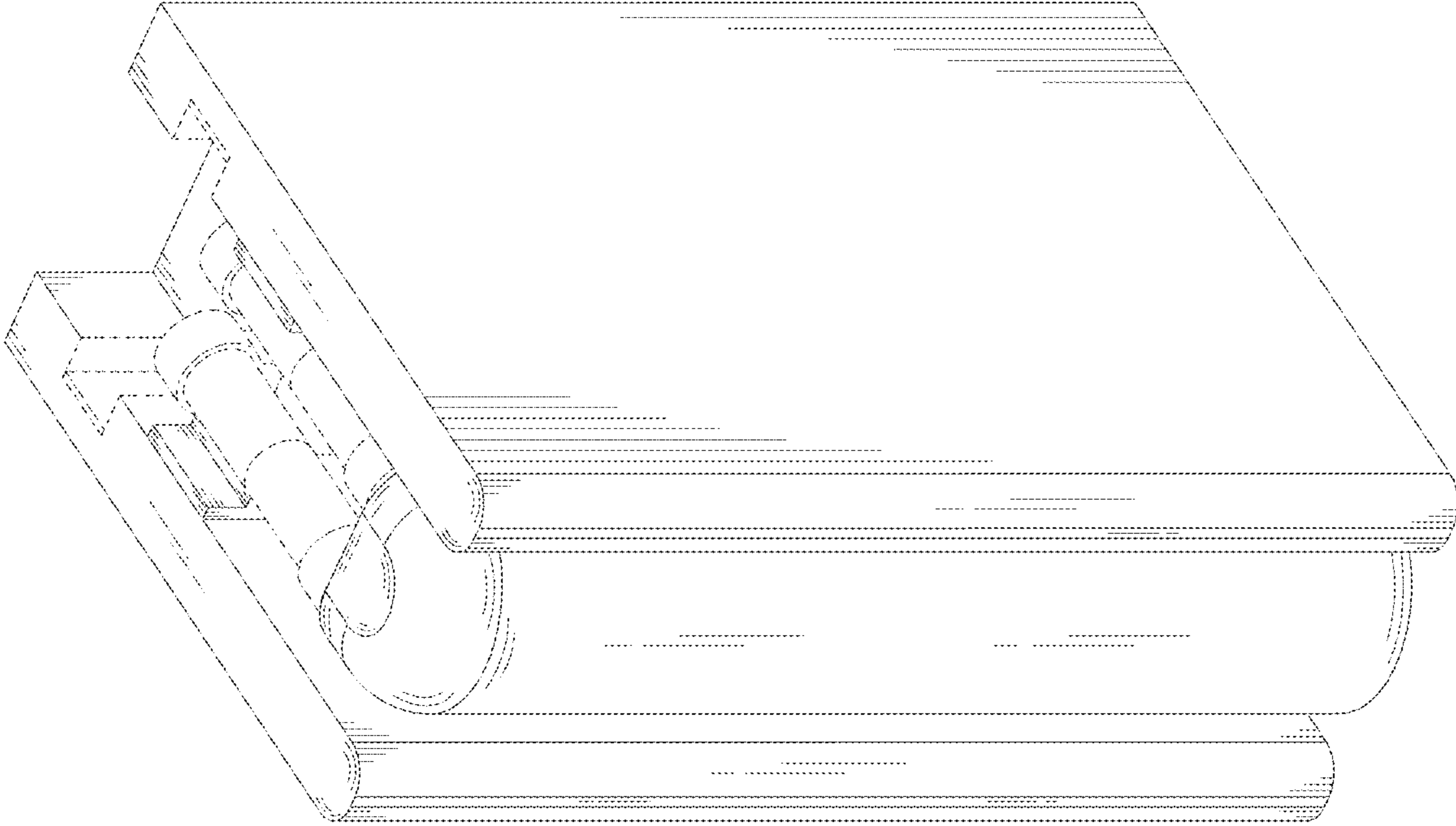
**FIG. 8**



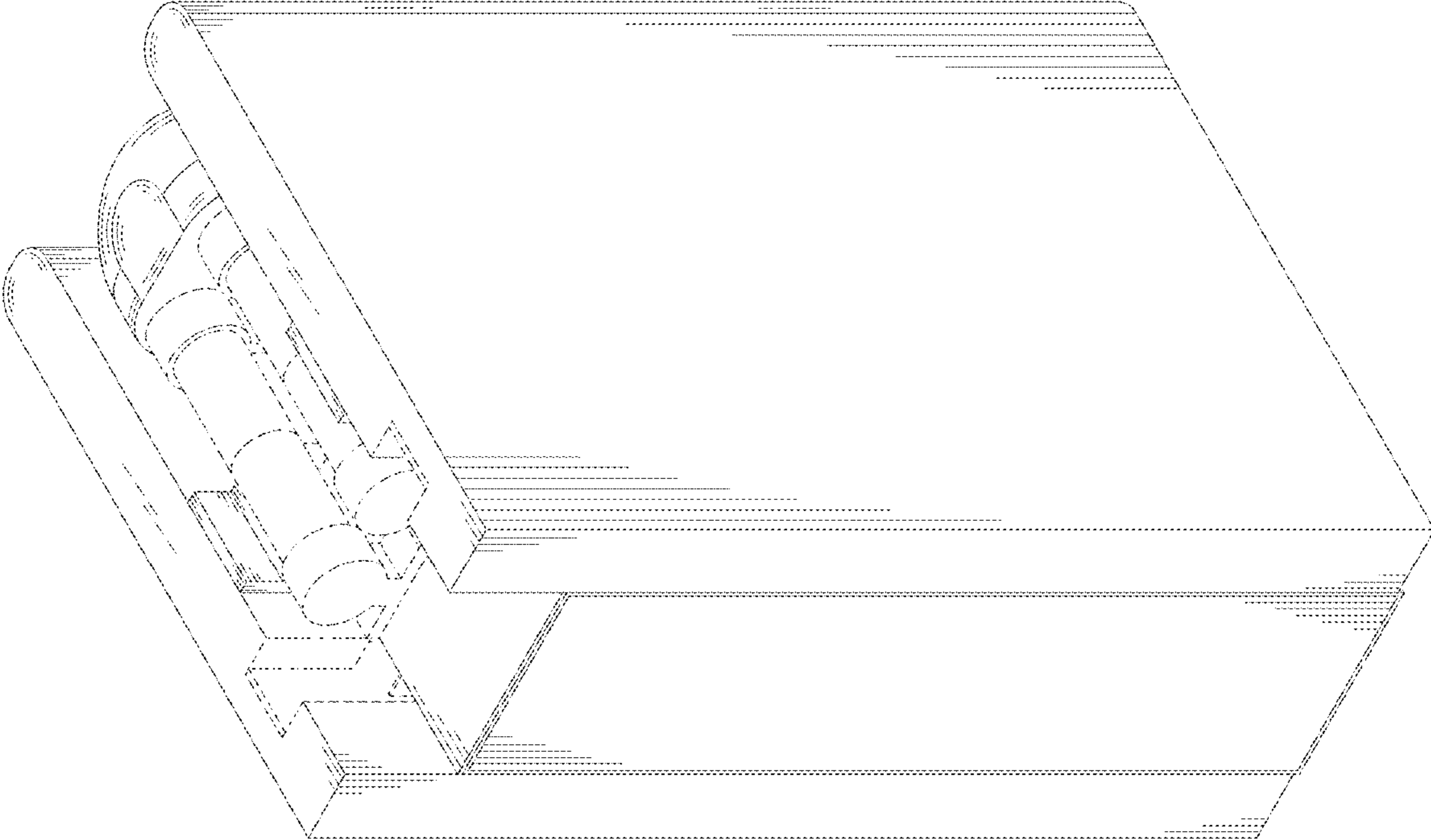
**FIG. 9**



**FIG. 10**



**FIG. 11**



**FIG. 12**