



US00D963620S

(12) **United States Design Patent** (10) **Patent No.:** **US D963,620 S**  
**Yang** (45) **Date of Patent:** **\*\* Sep. 13, 2022**

(54) **ANTENNA**

FOREIGN PATENT DOCUMENTS

(71) Applicant: **Shenzhen Antop Technology Co., Ltd.**,  
Guangdong (CN)

CN 307119080 \* 2/2022  
KR 301143385.0000 \* 12/2021

(72) Inventor: **Ruidian Yang**, Guangdong (CN)

OTHER PUBLICATIONS

(\*\*) Term: **15 Years**

Antop, Flat-Panel Mini Tower HDTV Smartpass . . . , available at  
samsclub.com, oldest review date 2020, site visited May 16, 2022,  
Available at URL: <https://www.samsclub.com/p/antop-flat-panel-amplified-antenna/prod24733438> (Year: 2020).\*

(21) Appl. No.: **29/706,249**

(22) Filed: **Sep. 19, 2019**

(Continued)

(51) **LOC (13) Cl.** ..... **14-03**

(52) **U.S. Cl.**  
USPC ..... **D14/230**

(58) **Field of Classification Search**  
USPC ..... D14/230, 218, 204, 207, 209–216;  
D12/42, 204, 43, 231  
CPC ..... H01Q 7/00; H01Q 13/10; H01Q 19/30;  
H01Q 19/12; H01Q 1/38; H01Q 1/36;  
H01Q 9/285; H04B 1/0475; H05K 11/00  
See application file for complete search history.

*Primary Examiner* — Daniel J Domino

*Assistant Examiner* — Samina Vieth

(74) *Attorney, Agent, or Firm* — Prakash Nama; Global  
IP Services, PLLC

(57) **CLAIM**

The ornamental design for an antenna, as shown and  
described.

(56) **References Cited**

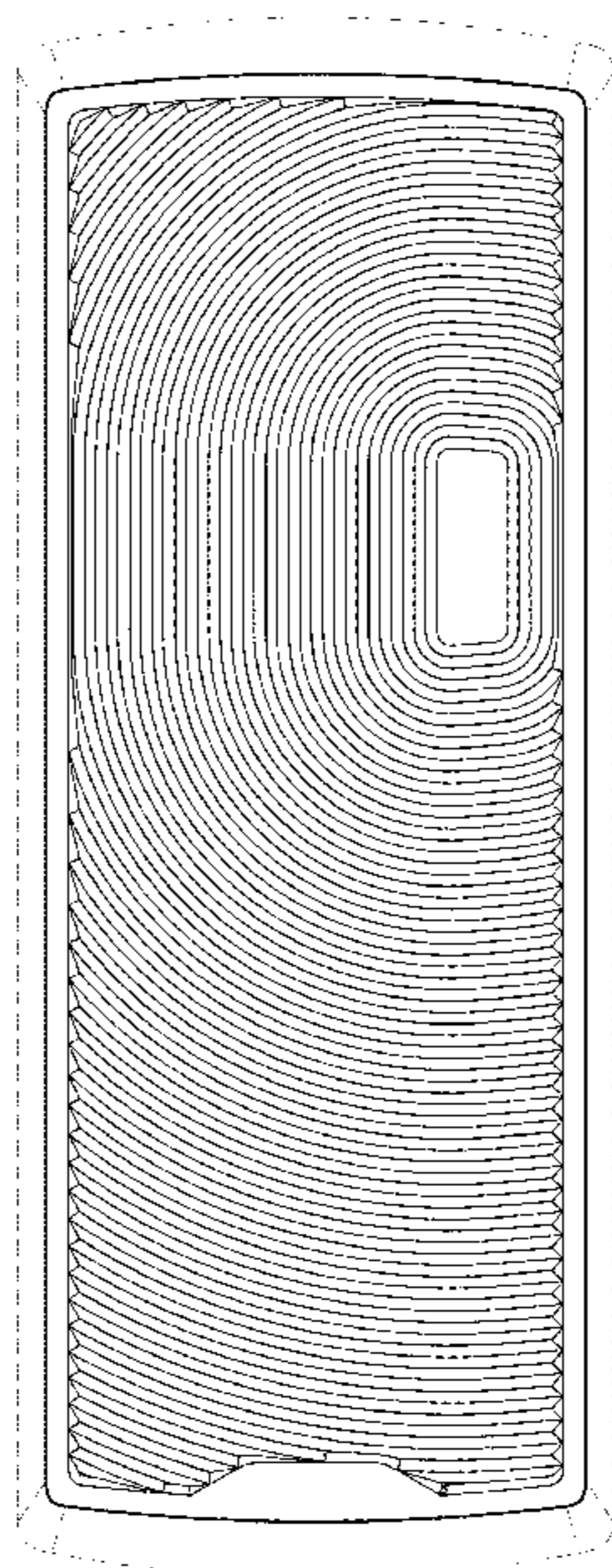
**DESCRIPTION**

U.S. PATENT DOCUMENTS

D287,848 S *	1/1987	Keely	.....	D13/110
D391,963 S *	3/1998	Wong	.....	D14/214
D422,999 S *	4/2000	Overton	.....	D14/230
D427,182 S *	6/2000	Andrew	.....	D14/230
D550,617 S *	9/2007	Wang	.....	D13/101
7,535,716 B2 *	5/2009	Fischer	.....	H04Q 1/10 174/50.54
D628,191 S *	11/2010	Ohno	.....	D14/214
D645,029 S *	9/2011	Yakubo	.....	D14/230
D662,880 S *	7/2012	Scott	.....	D13/110
D715,274 S *	10/2014	Callas	.....	D14/230
D749,062 S *	2/2016	Callas	.....	D14/230
D896,208 S *	9/2020	Howard	.....	D14/230
D896,795 S *	9/2020	Howard	.....	D14/230
D902,189 S *	11/2020	Yang	.....	D14/230
D938,388 S *	12/2021	Song	.....	D14/210

FIG. 1 is a front elevational view of an antenna showing the  
first embodiment of my new design;  
FIG. 2 is a rear elevational view thereof;  
FIG. 3 is a perspective view thereof;  
FIG. 4 is another perspective view thereof;  
FIG. 5 is a front elevational view of an antenna showing the  
second embodiment of my new design;  
FIG. 6 is a rear elevational view thereof;  
FIG. 7 is a perspective view thereof; and,  
FIG. 8 is another perspective view thereof.  
The broken lines shown in antenna form no part of the  
claimed design.

**1 Claim, 8 Drawing Sheets**



(56)

**References Cited**

OTHER PUBLICATIONS

Antop, Outdoor/Indoor HDTV Antenna . . . , available at amazon.com, date first available Oct. 15, 2019, site visited May 16, 2022, Available at URL: [https://www.amazon.com/dp/B07Z3KYCVD/ref=cm\\_sw\\_em\\_r\\_mt\\_dp\\_AASH6QRK5TEMVYR3Z0KP](https://www.amazon.com/dp/B07Z3KYCVD/ref=cm_sw_em_r_mt_dp_AASH6QRK5TEMVYR3Z0KP) (Year: 2019).\*

Antop, HDTV Outdoor Indoor Flat Panel TV Antenna, available at amazon.com, date first available Jan. 9, 2018, site visited May 16, 2022, Available at URL: [https://www.amazon.com/dp/B078WQDYDQ/ref=cm\\_sw\\_em\\_r\\_mt\\_dp\\_97905QX6KE3RWWH6WEET](https://www.amazon.com/dp/B078WQDYDQ/ref=cm_sw_em_r_mt_dp_97905QX6KE3RWWH6WEET) (Year: 2018).\*

\* cited by examiner

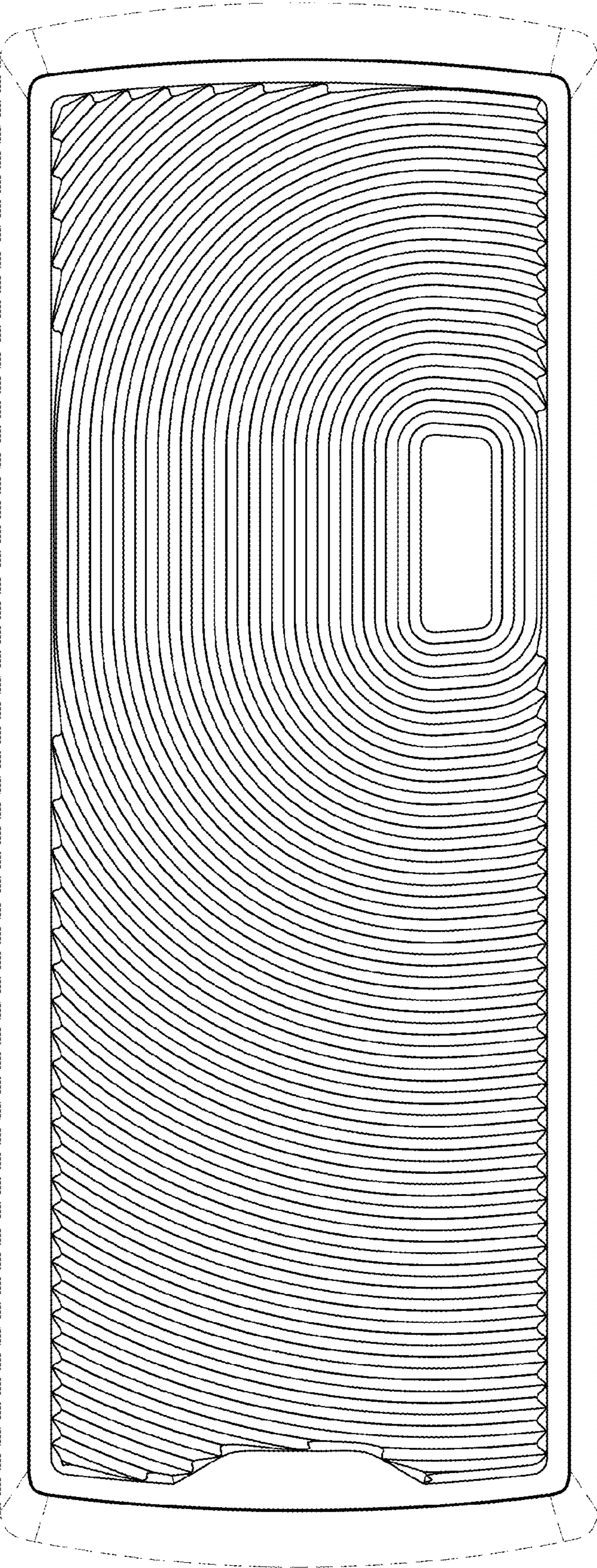


Fig. 1

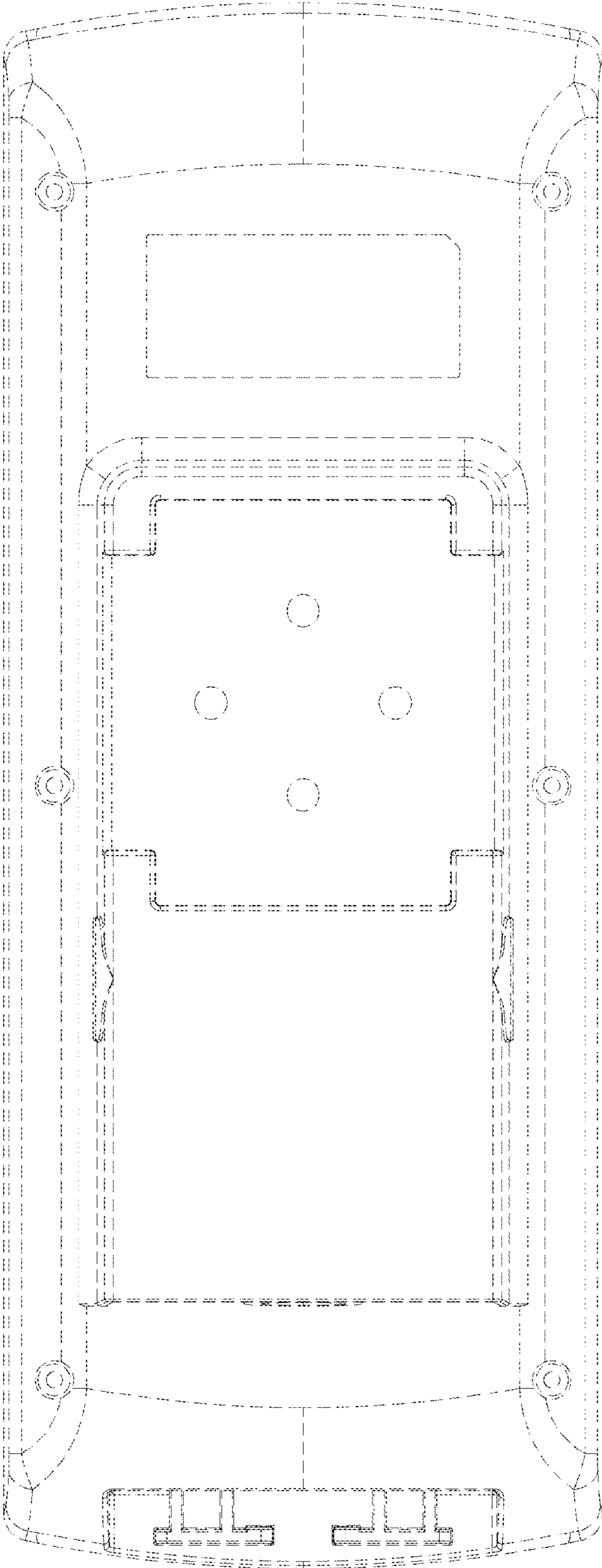


Fig. 2

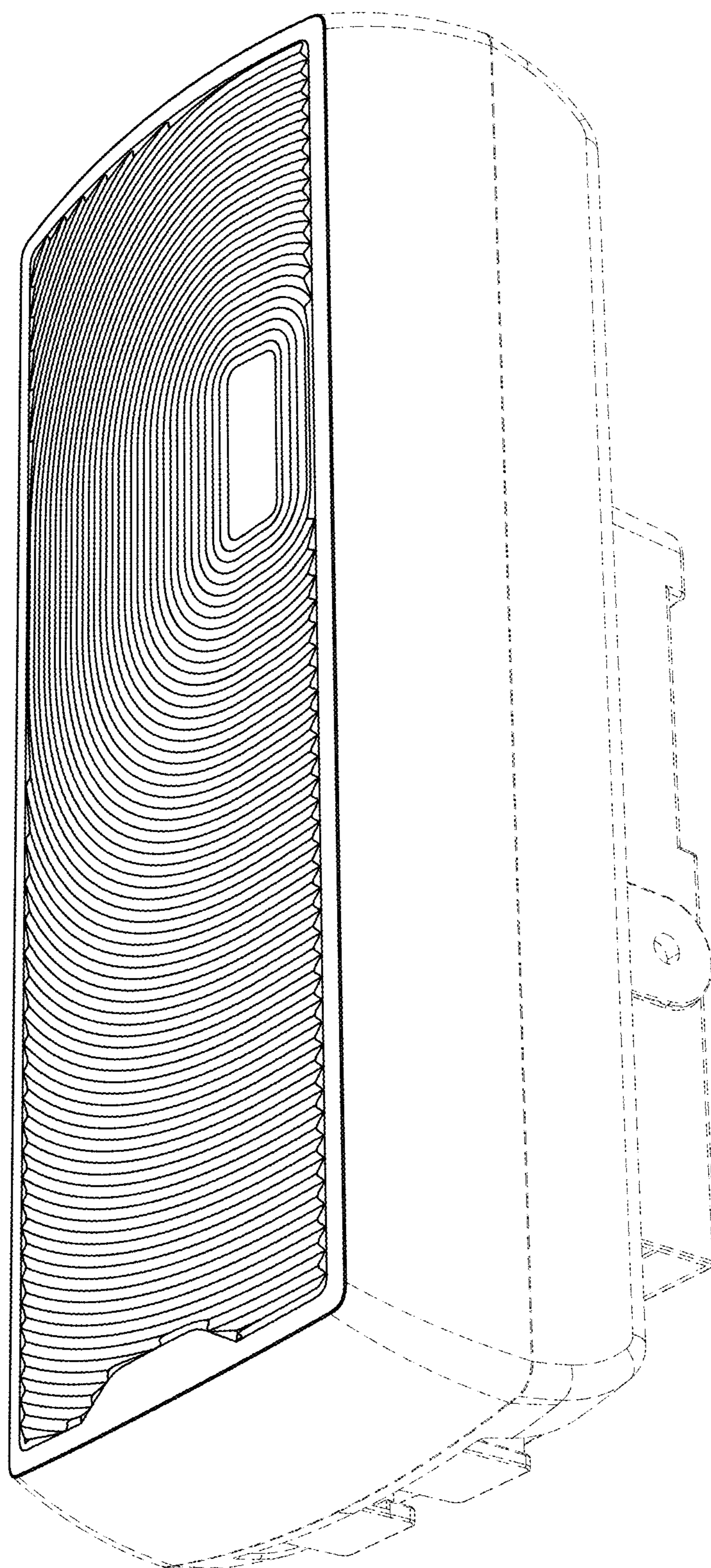


Fig. 3

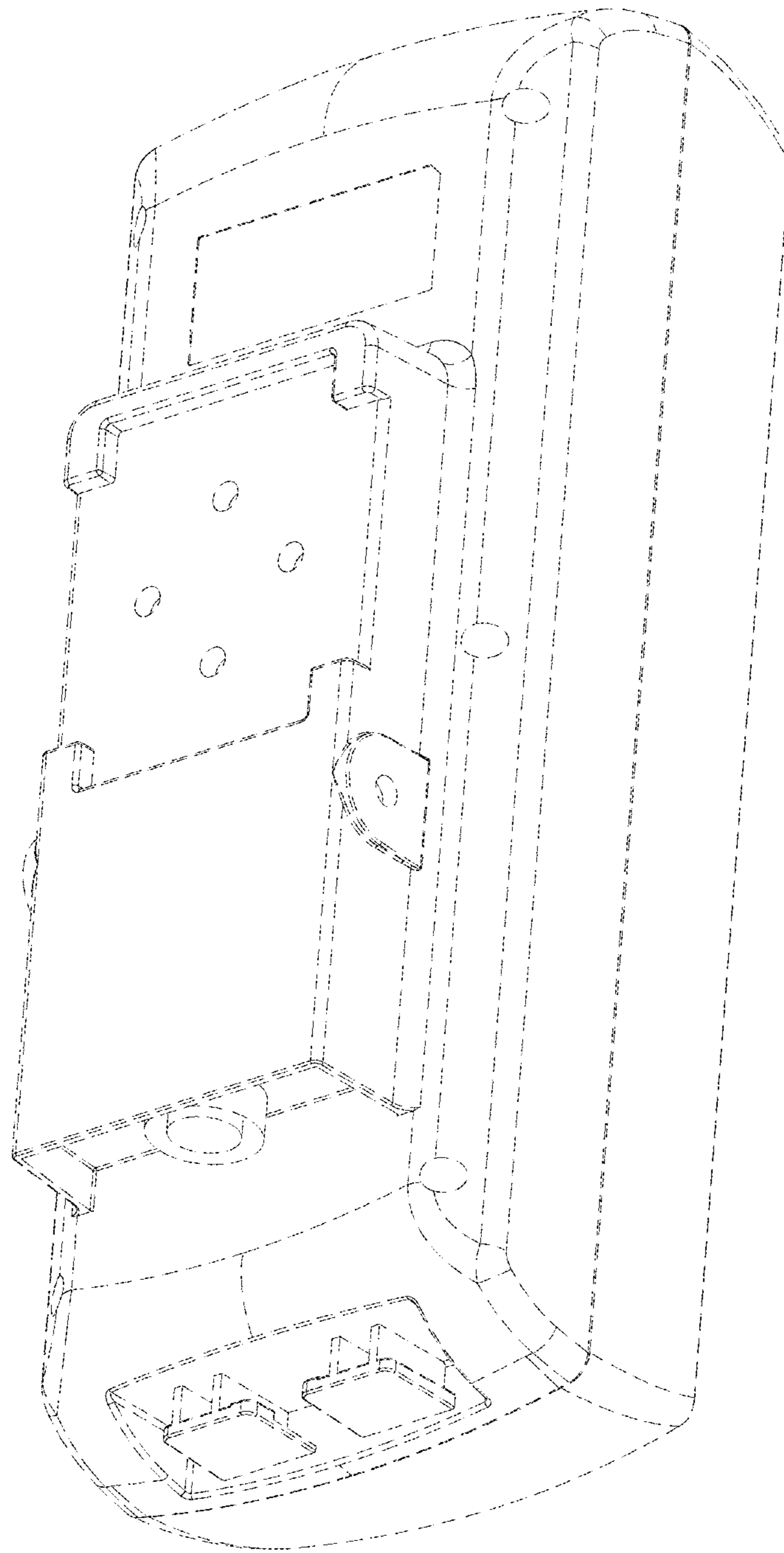


Fig. 4

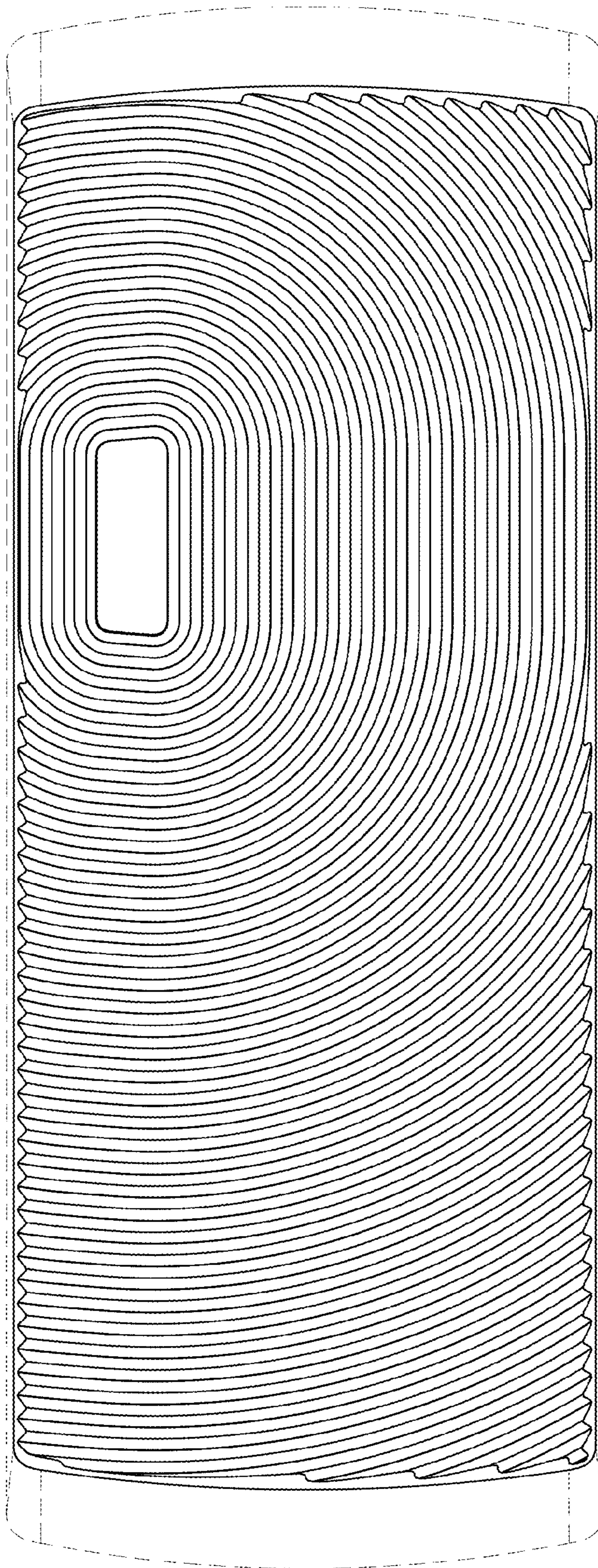


Fig. 5

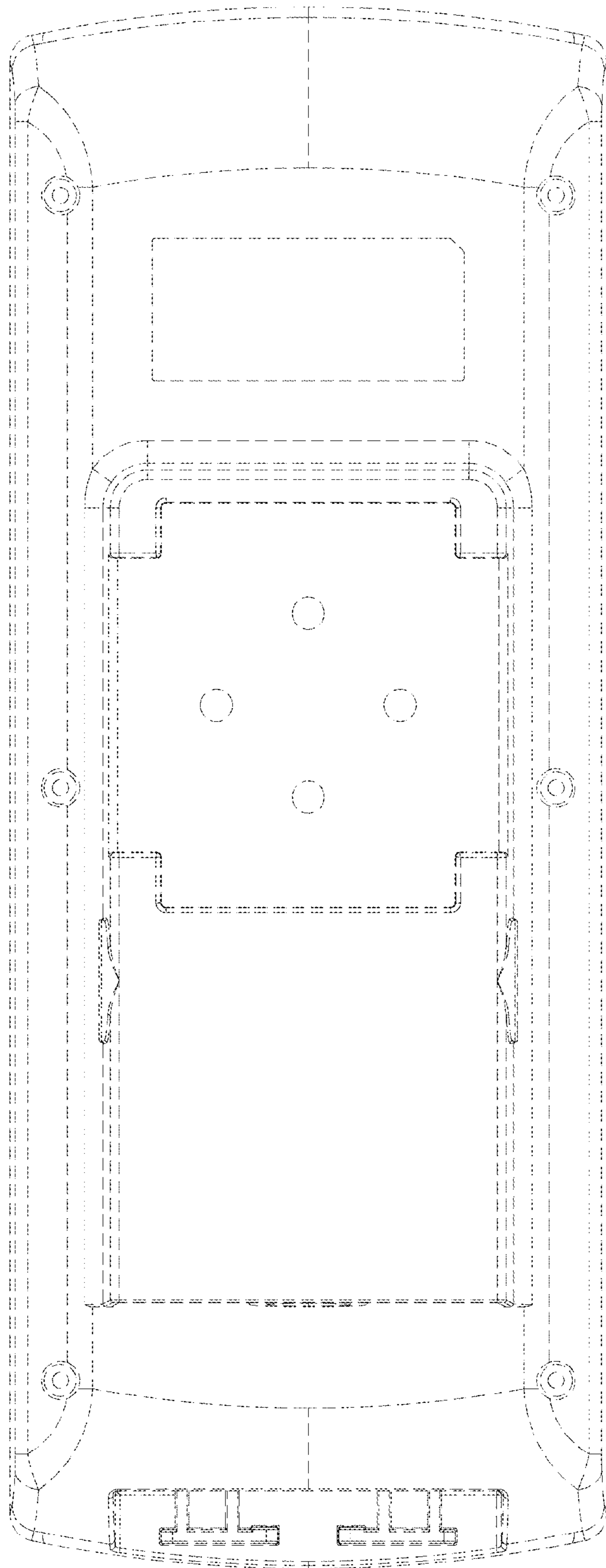


Fig. 6



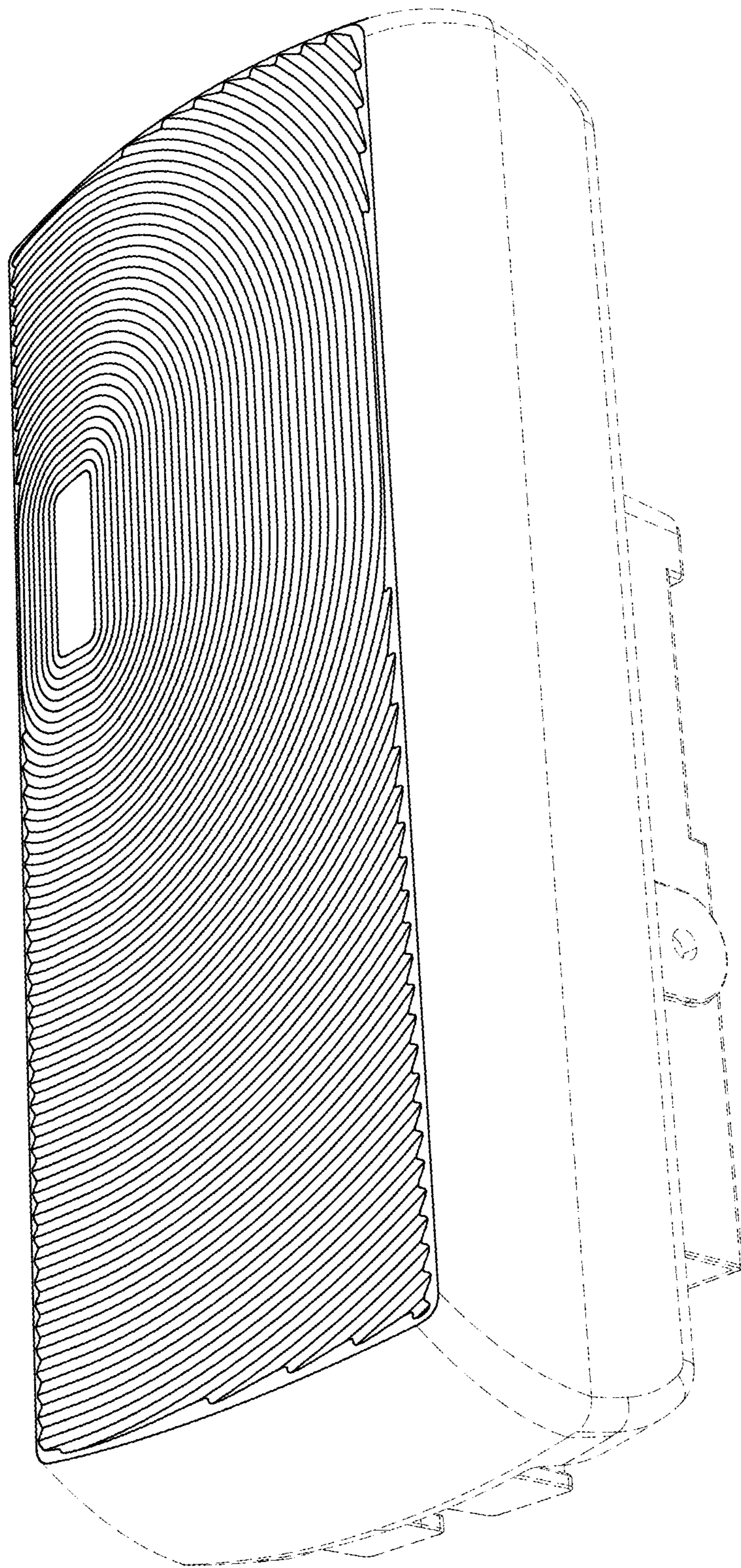


Fig. 7

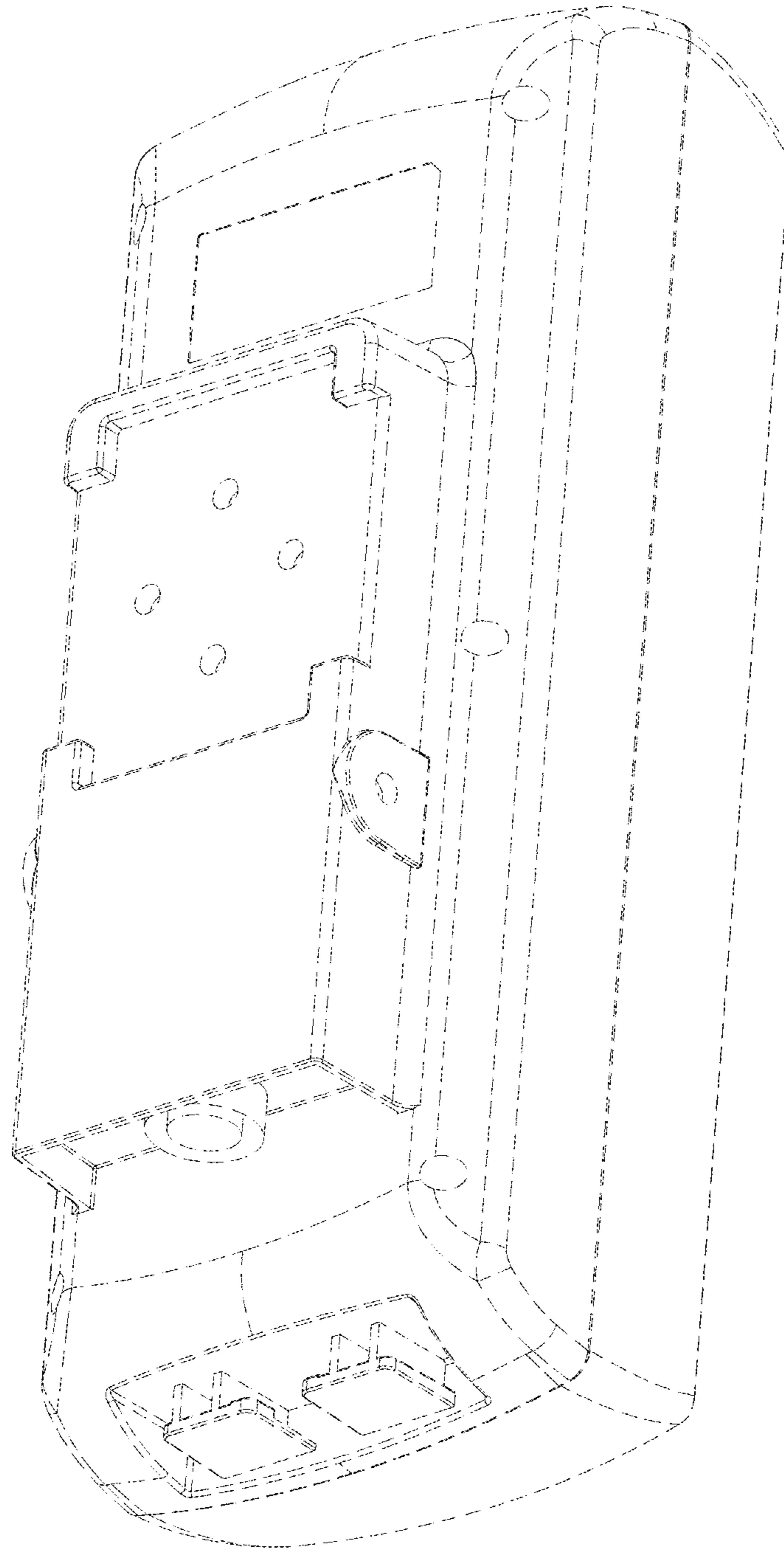


Fig. 8