



US00D963619S

(12) **United States Design Patent**
Joo et al.

(10) **Patent No.:** **US D963,619 S**
(45) **Date of Patent:** **** Sep. 13, 2022**

(54) **BASKET FOR A WALL WITH BUILT-IN HOME APPLIANCES**

CPC H05B 2203/026; H05B 1/0236; H05B 1/0275; H05B 45/10; H05B 45/20
See application file for complete search history.

(71) Applicant: **LG ELECTRONICS INC.**, Seoul (KR)

(56) **References Cited**

(72) Inventors: **Junghyun Joo**, Seoul (KR); **Junghan Ryu**, Seoul (KR); **Yunjoo Kim**, Seoul (KR); **Taeho Kim**, Seoul (KR); **Kisang Jung**, Seoul (KR); **Hwasuk Shim**, Seoul (KR); **Youngyoung Kim**, Seoul (KR); **Jipyong Hong**, Seoul (KR); **Chulmin Lim**, Seoul (KR); **Bumsang Lee**, Seoul (KR); **Mijin Jung**, Seoul (KR); **Jaemyo Shim**, Seoul (KR); **Junki Kim**, Seoul (KR)

U.S. PATENT DOCUMENTS

D255,234 S * 6/1980 Wellward 181/150
D303,391 S * 9/1989 Stallings, Jr. D14/209
D669,075 S * 10/2012 Seo D14/371
D865,723 S * 11/2019 Cho H04R 31/00 D14/225

(Continued)

Primary Examiner — Michael C Stout
Assistant Examiner — Fritzgerald L Butac
(74) *Attorney, Agent, or Firm* — Birch, Stewart, Kolasch & Birch, LLP

(73) Assignee: **LG ELECTRONICS INC.**, Seoul (KR)

(57) **CLAIM**

(**) Term: **15 Years**

The ornamental design for a basket for a wall with built-in home appliances, as shown and described.

(21) Appl. No.: **29/732,723**

DESCRIPTION

(22) Filed: **Apr. 27, 2020**

(30) **Foreign Application Priority Data**

Oct. 28, 2019 (KR) 30-2019-0051137

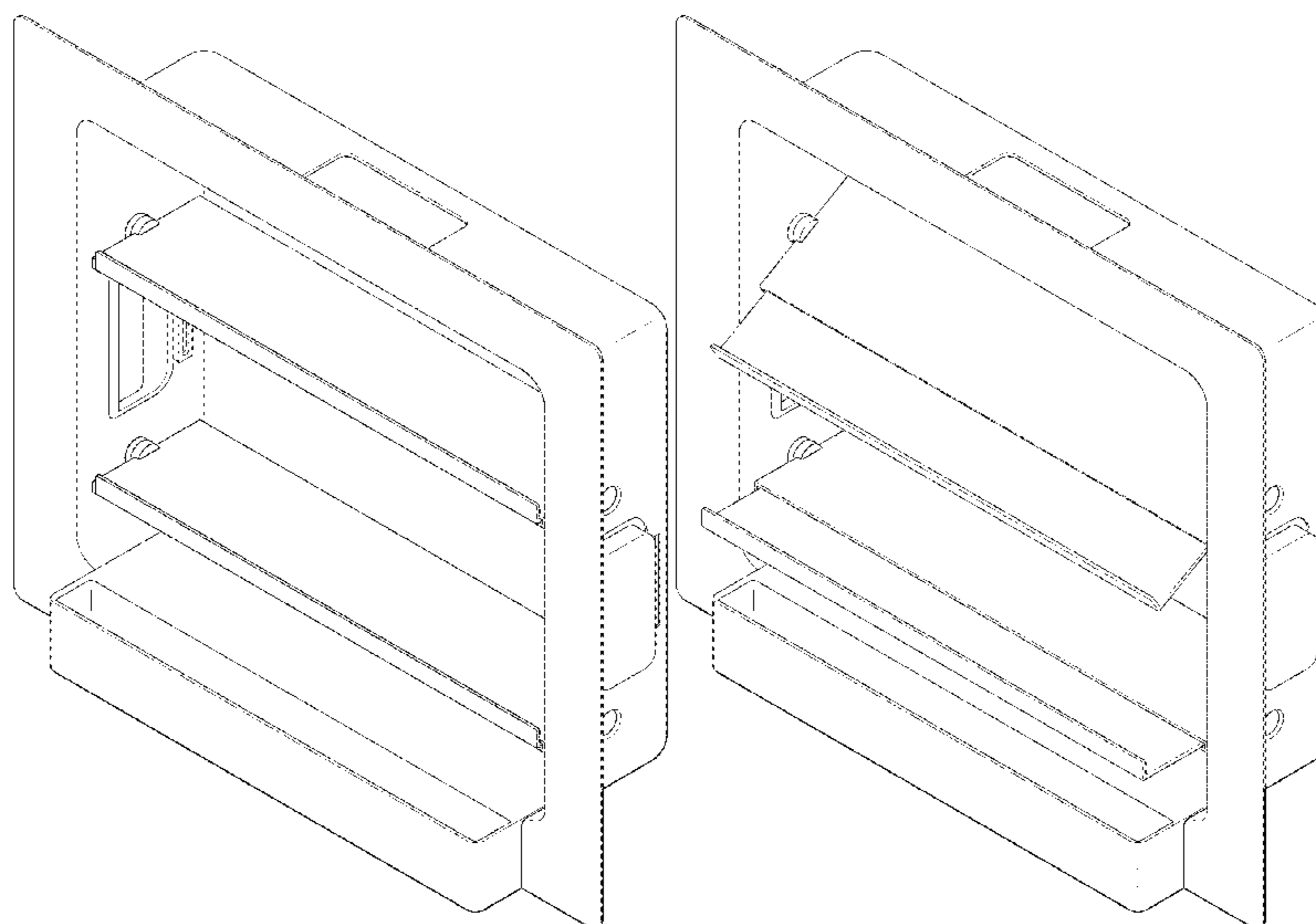
(51) **LOC (13) Cl.** **14-01**

(52) **U.S. Cl.**
USPC **D14/229**; D14/209

(58) **Field of Classification Search**
USPC D8/349, 354, 355, 374, 381, 400, 499;
D13/162, 164, 171, 177, 199;
D14/125–129, 133, 140, 217, 224, 224.1,
D14/229, 238, 238.1, 239, 299, 317, 331,
D14/336, 337, 341, 371–376, 389, 432,
D14/433, 434, 496, 511; D15/138;
D23/217, 351–355, 357, 361, 385;
D25/61, 118, 126, 131, 141, 156, 161,
D25/162, 199

FIG. 1 is a front perspective view of the basket for a wall with built-in home appliances showing our new design; FIG. 2 is a front view thereof; FIG. 3 is a rear view thereof; FIG. 4 is a left side view thereof where the right side view is a mirror image; FIG. 5 is a top plan view thereof; FIG. 6 is a bottom plan view thereof; FIG. 7 is another front perspective view, with the upper internal element being in an alternate position thereof; FIG. 8 is a front view of FIG. 7; FIG. 9 is a rear view of FIG. 7; FIG. 10 is a left side view of FIG. 7 where the right view is a mirror image; FIG. 11 is a top plan view of FIG. 7; and, FIG. 12 is a bottom plan view of FIG. 7.

1 Claim, 12 Drawing Sheets



(56)

References Cited

U.S. PATENT DOCUMENTS

D900,070 S * 10/2020 Lantz D14/229
D900,071 S * 10/2020 Lantz D14/229
D900,072 S * 10/2020 Lantz D14/229
10,874,028 B2 * 12/2020 Joo H04N 5/645
2020/0344910 A1 * 10/2020 Joo E04C 2/46

* cited by examiner

FIG. 1

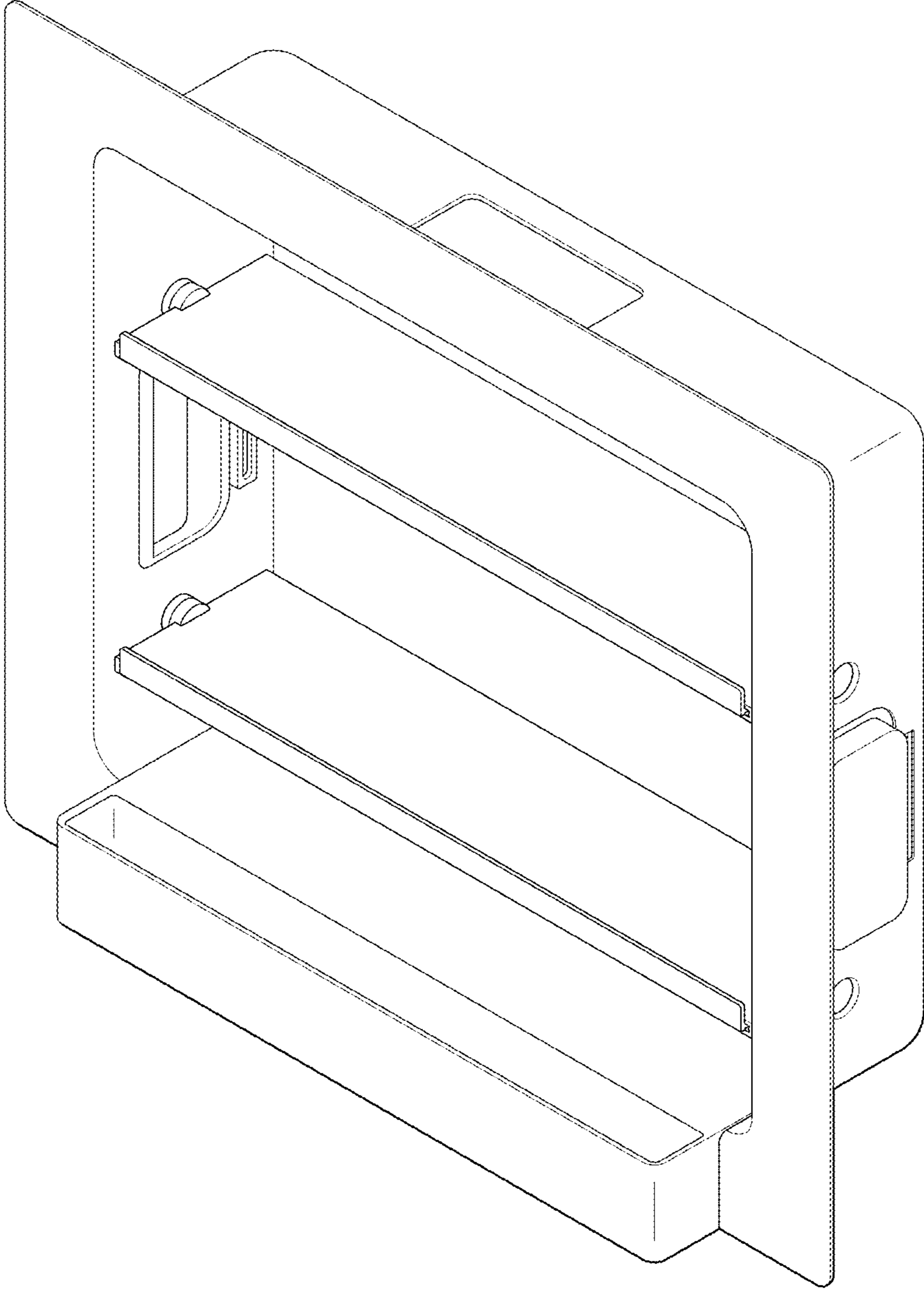


FIG. 2

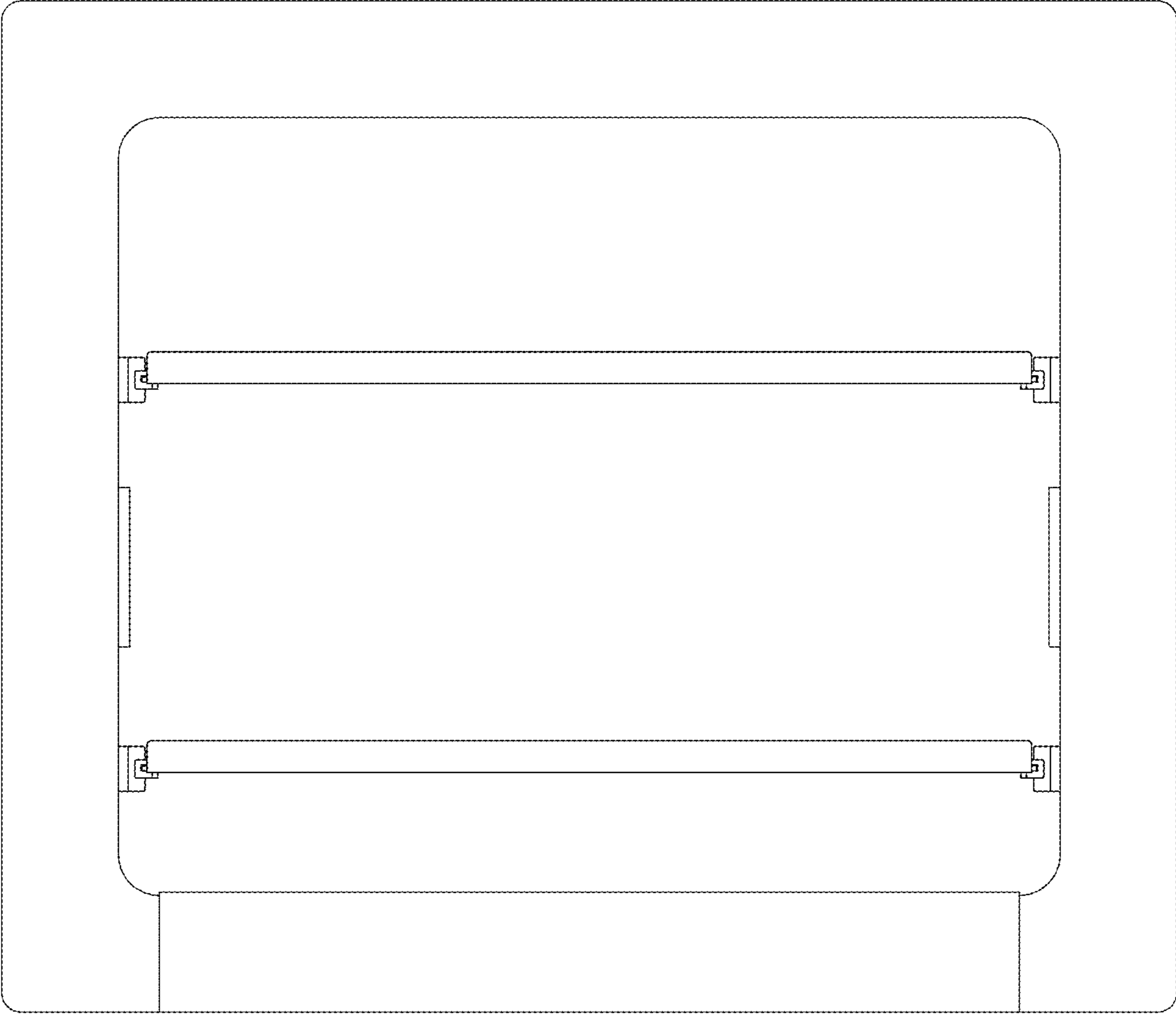


FIG. 3

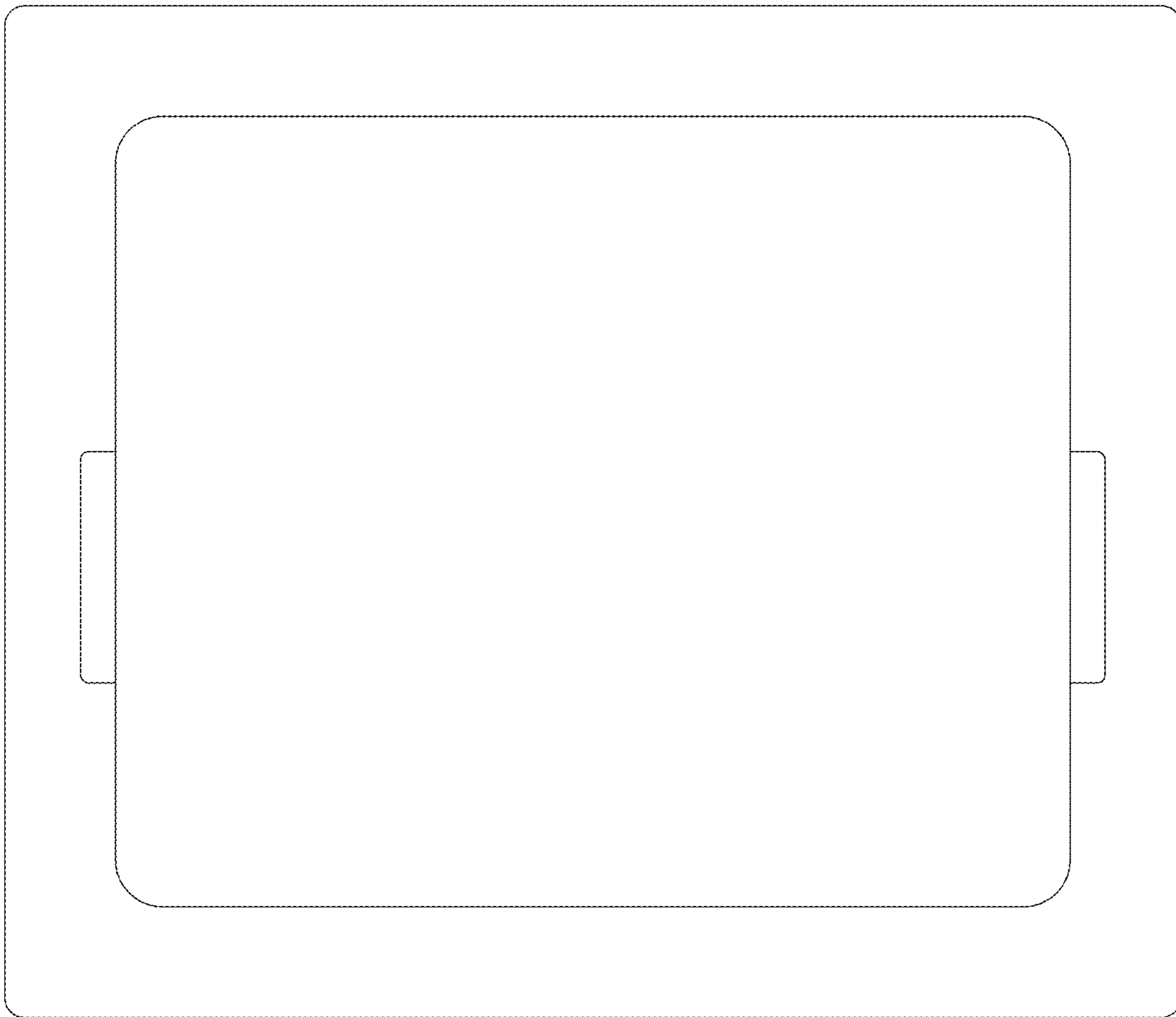


FIG. 4

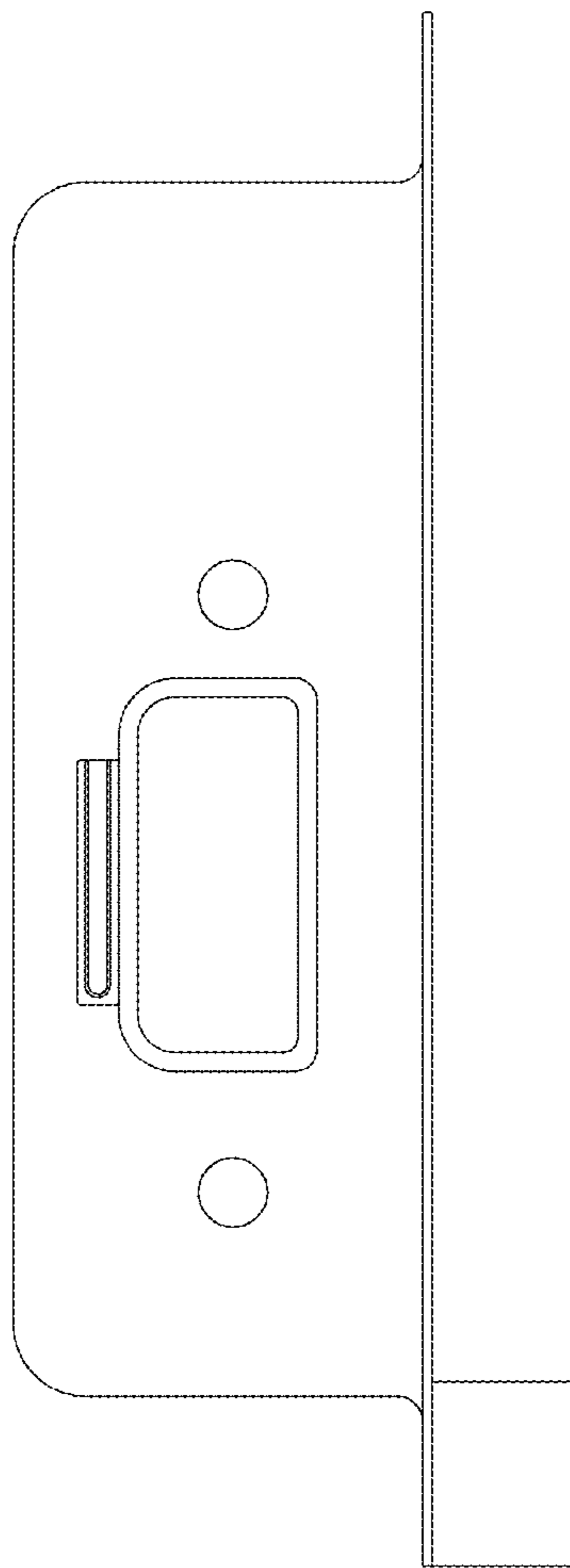


FIG. 5

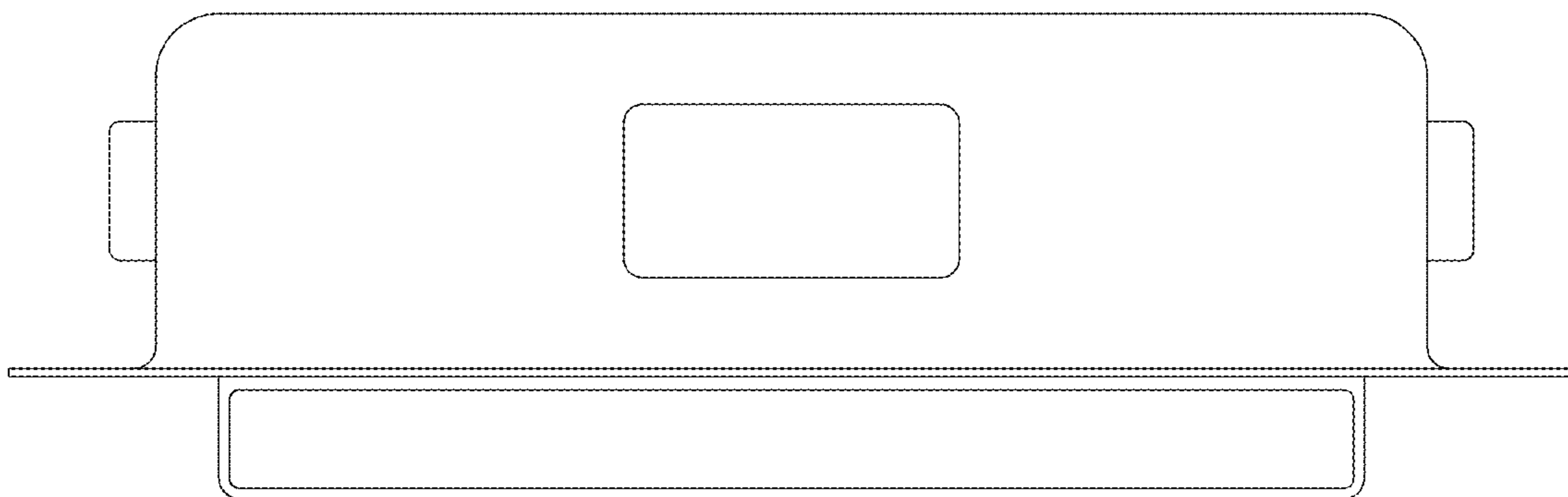


FIG. 6

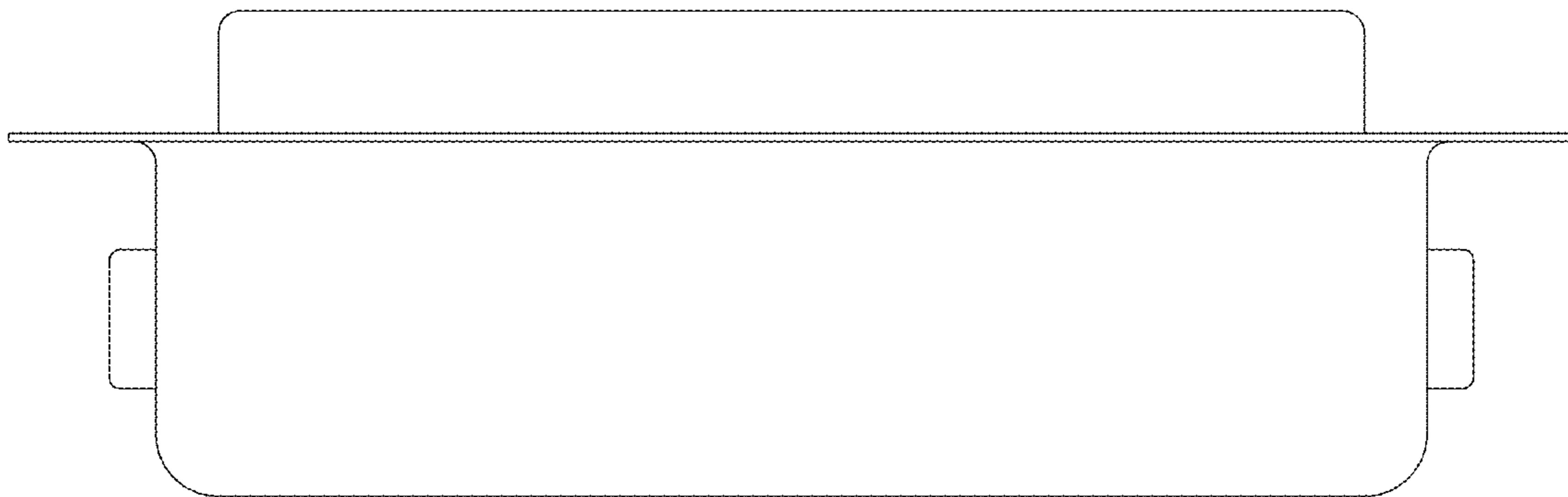


FIG. 7

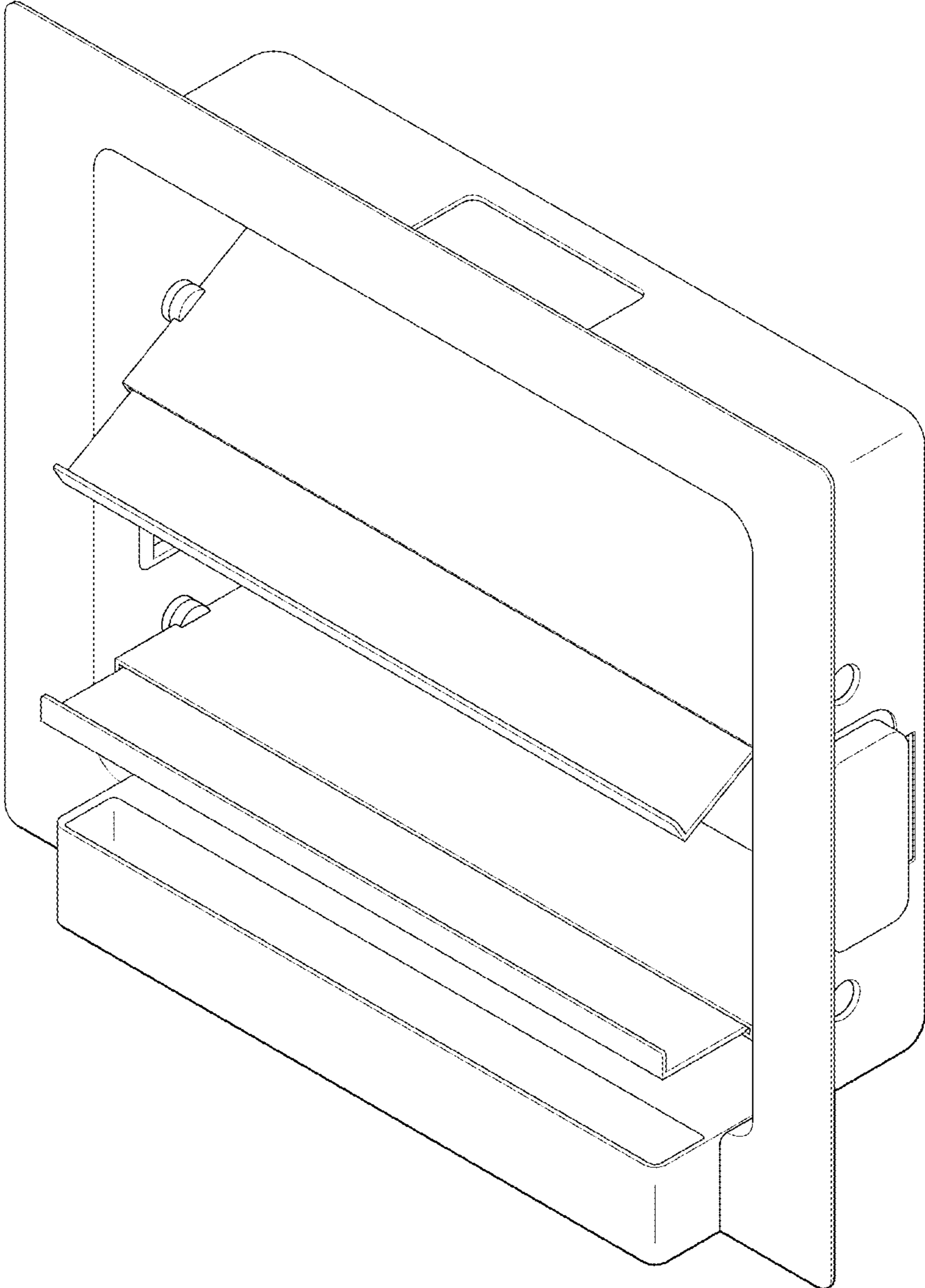


FIG. 8

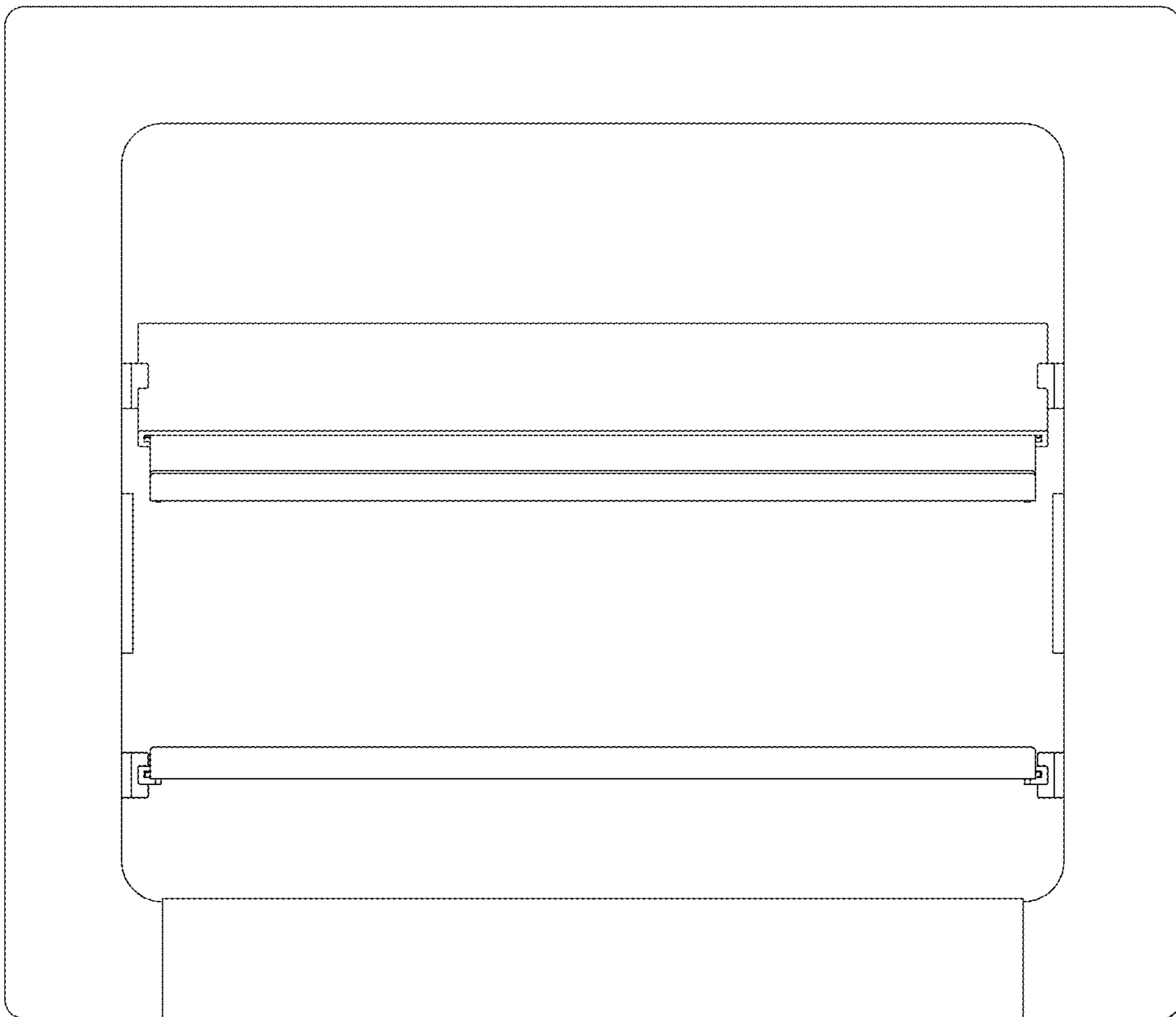


FIG. 9

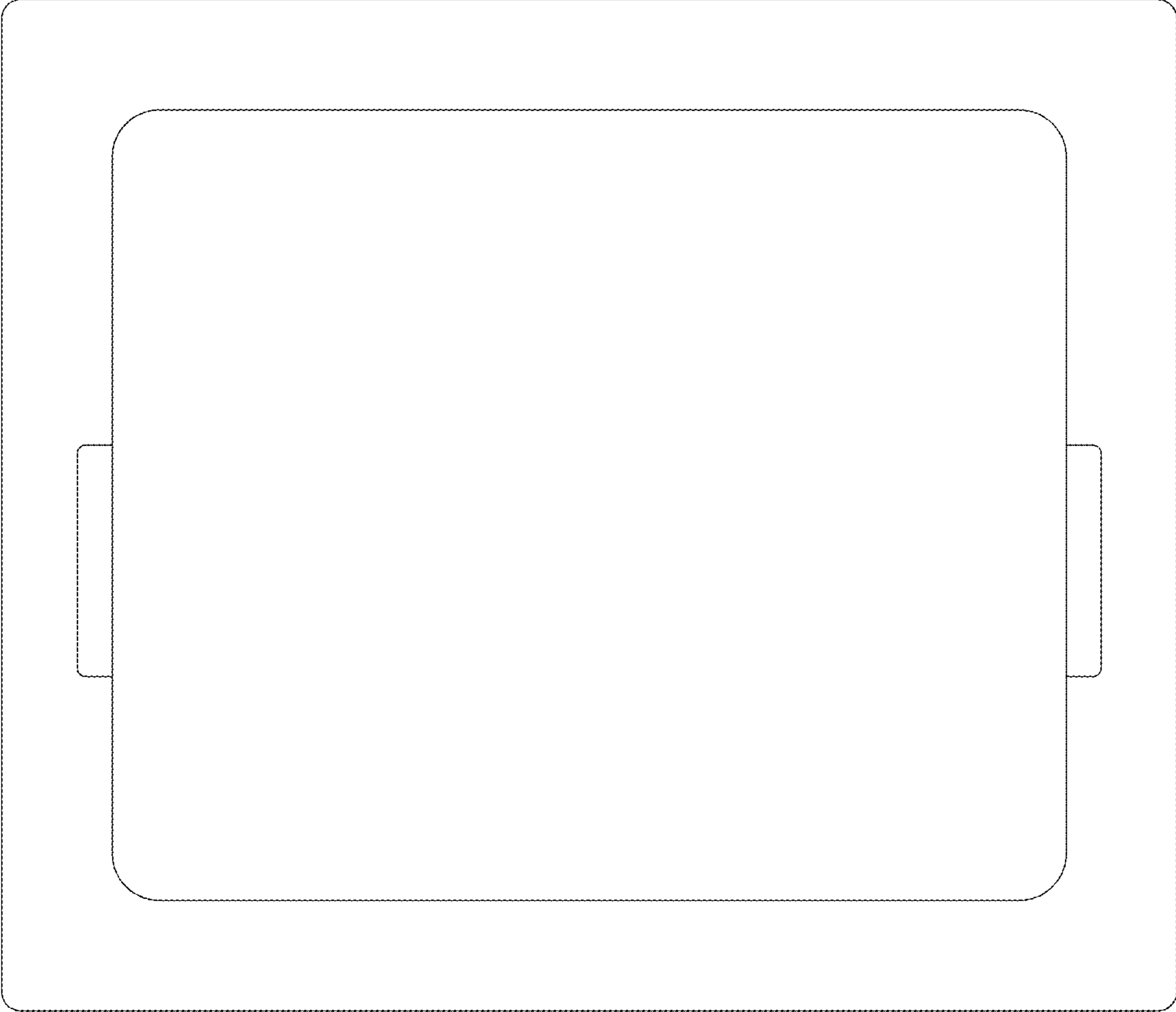


FIG. 10

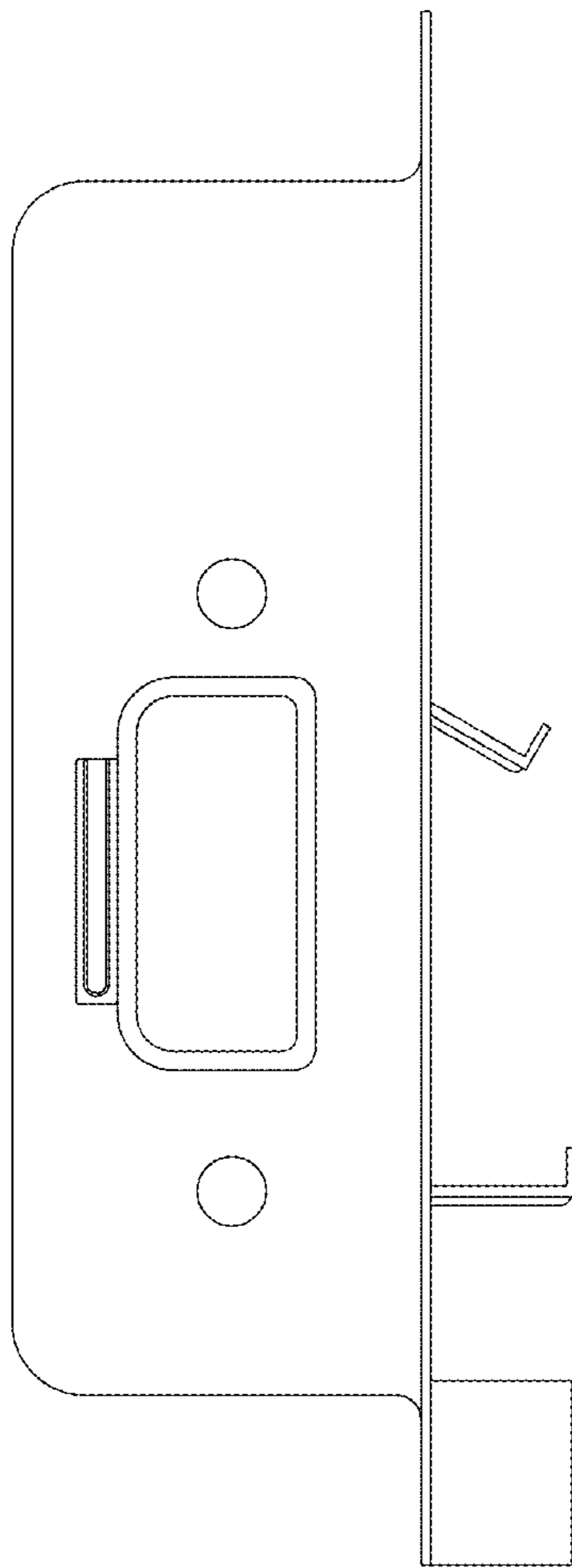


FIG. 11

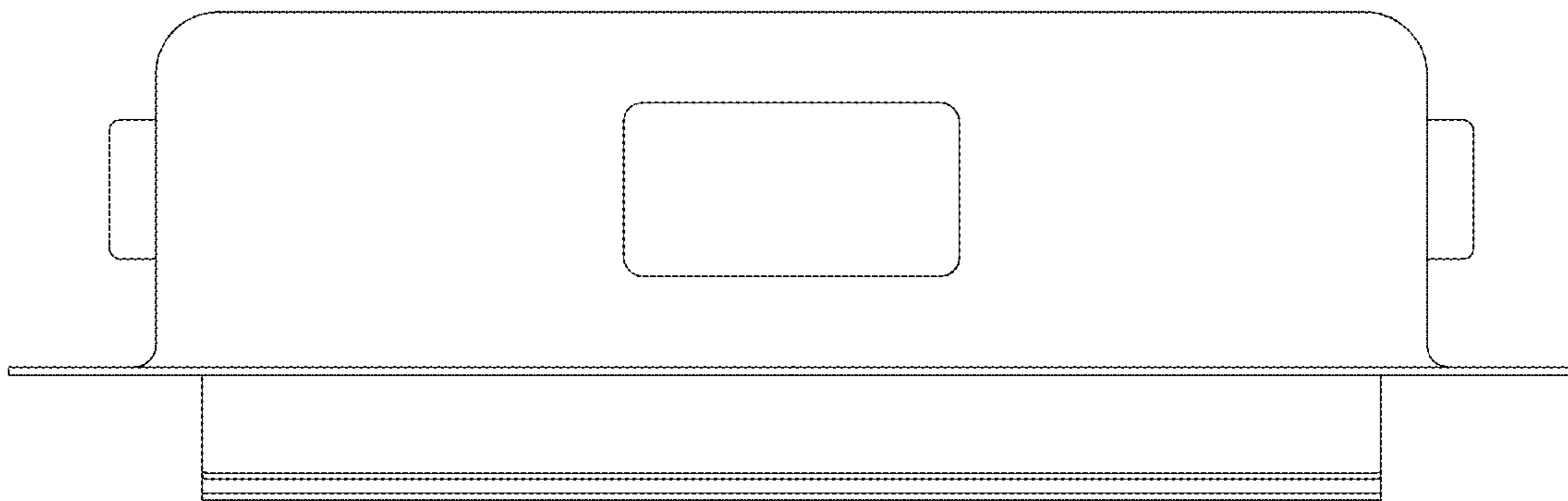


FIG. 12

