



US00D963617S

(12) **United States Design Patent**
Liu

(10) **Patent No.: US D963,617 S**
(45) **Date of Patent: ** Sep. 13, 2022**

(54) **HEADSET HOLDER**

FOREIGN PATENT DOCUMENTS

(71) Applicant: **Shen Zhen Yaan Energy Technology Co., Ltd.**, Shenzhen (CN)

EM 008818512-0001 * 1/2022

(72) Inventor: **Dingxiang Liu**, Shenzhen (CN)

OTHER PUBLICATIONS

(**) Term: **15 Years**

Teedor RGB Gaming Headset Holder, Amazon.com, May 10, 2021. <https://www.amazon.com/dp/B094HX5JBJ/ref=cm_sw_em_r_mt_dp_KC5GD8TNABQZ2GY39XTT> (Year: 2021).*

(21) Appl. No.: **29/822,114**

New bee RGB Headphone Stand, Amazon.com, Apr. 8, 2022. <https://www.amazon.com/dp/B09XHJBYTJ?ref=cm_sw_r_cp_ud_dp_TVHJ9EVYEA6T7BAJJK5D> (Year: 2022).*

(22) Filed: **Jan. 6, 2022**

* cited by examiner

(51) **LOC (13) Cl. 14-01**

(52) **U.S. Cl.**

USPC **D14/224**

(58) **Field of Classification Search**

USPC D14/205, 206, 223, 224, 250, 251–253, D14/447; D3/218; D12/415; D6/681, D6/682

CPC .. H04R 1/10; H04R 1/1025; H02J 7/00; H02J 7/0045

See application file for complete search history.

Primary Examiner — Janice Hallmark

(57) **CLAIM**

The ornamental design for a headset holder, as shown and described.

(56) **References Cited**

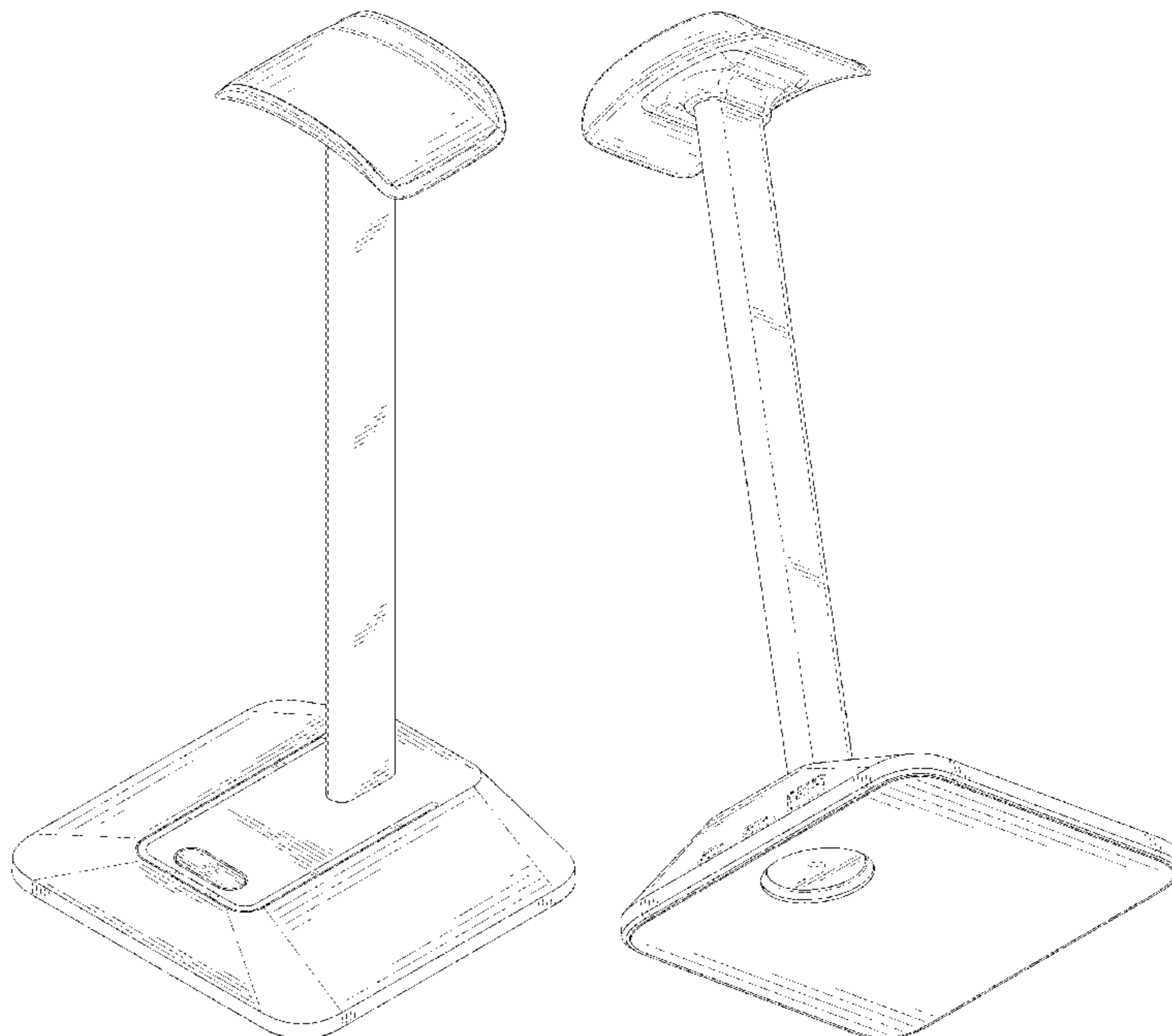
DESCRIPTION

U.S. PATENT DOCUMENTS

D643,419 S	8/2011	Huang	
D723,011 S *	2/2015	Symons	D14/224
D737,606 S *	9/2015	King	D6/682
D785,380 S *	5/2017	King	D6/681
D788,080 S *	5/2017	Turksu	D14/224
D855,038 S *	7/2019	Hu	D14/224
D907,013 S *	1/2021	Lu	D14/224
D922,361 S *	6/2021	Jin	D14/224
D947,160 S *	3/2022	Chong	D14/224
D951,920 S *	5/2022	Turksu	D14/224
2013/0223640 A1 *	8/2013	Urano	H04R 3/00 381/74
2017/0251293 A1 *	8/2017	Green	H02J 7/00
2019/0222916 A1 *	7/2019	Kim	H04R 1/105

FIG. 1 is a front and top perspective view of a headset holder, showing my new design;
FIG. 2 is a rear and bottom perspective view thereof;
FIG. 3 is a front elevation view thereof;
FIG. 4 is a rear elevation view thereof;
FIG. 5 is a left side elevation view thereof;
FIG. 6 is a right side elevation view thereof;
FIG. 7 is a top plan view thereof; and,
FIG. 8 is a bottom plan view thereof.
The broken lines in the figures illustrate portions of the headset holder that form no part of the claimed design.

1 Claim, 8 Drawing Sheets



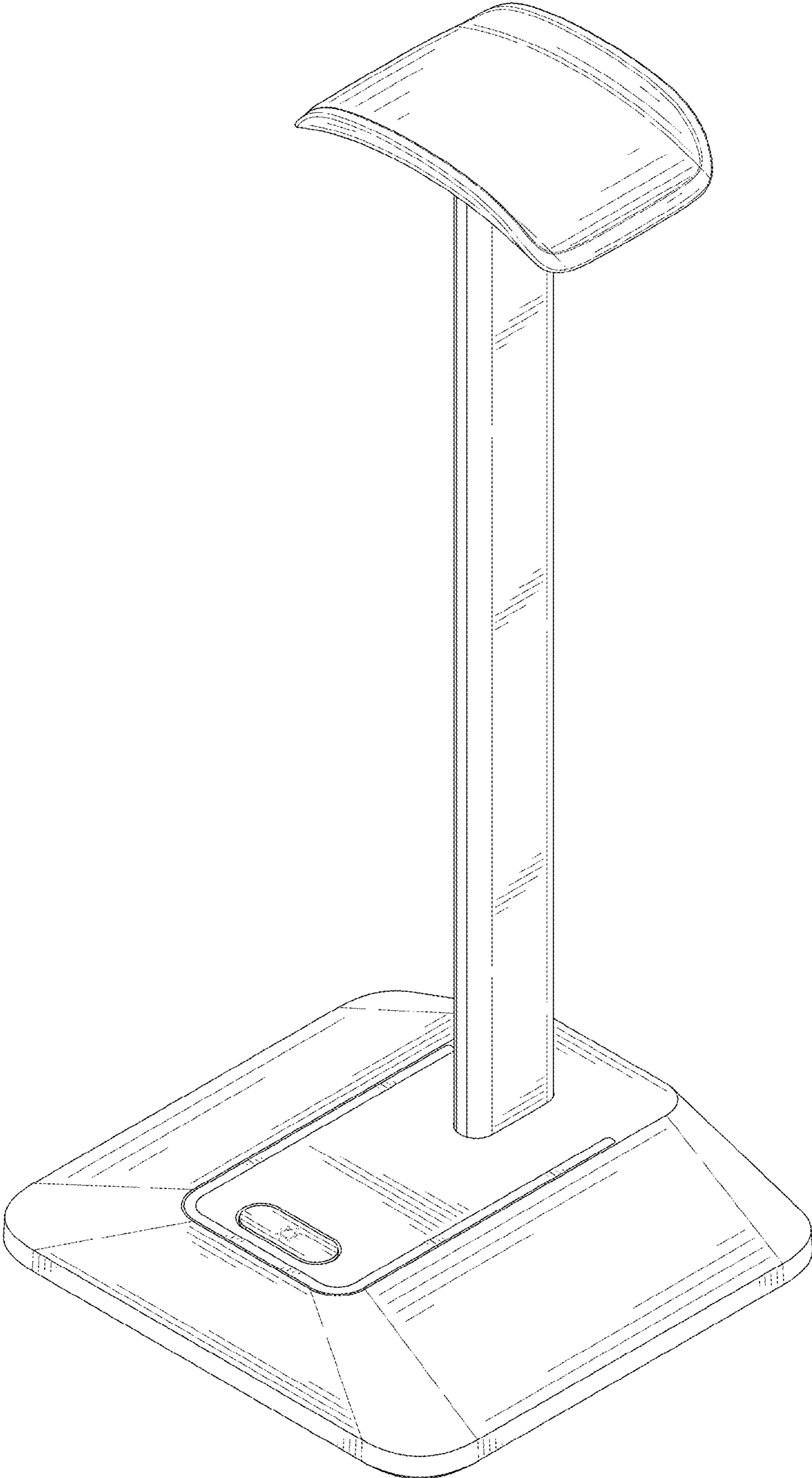


FIG. 1

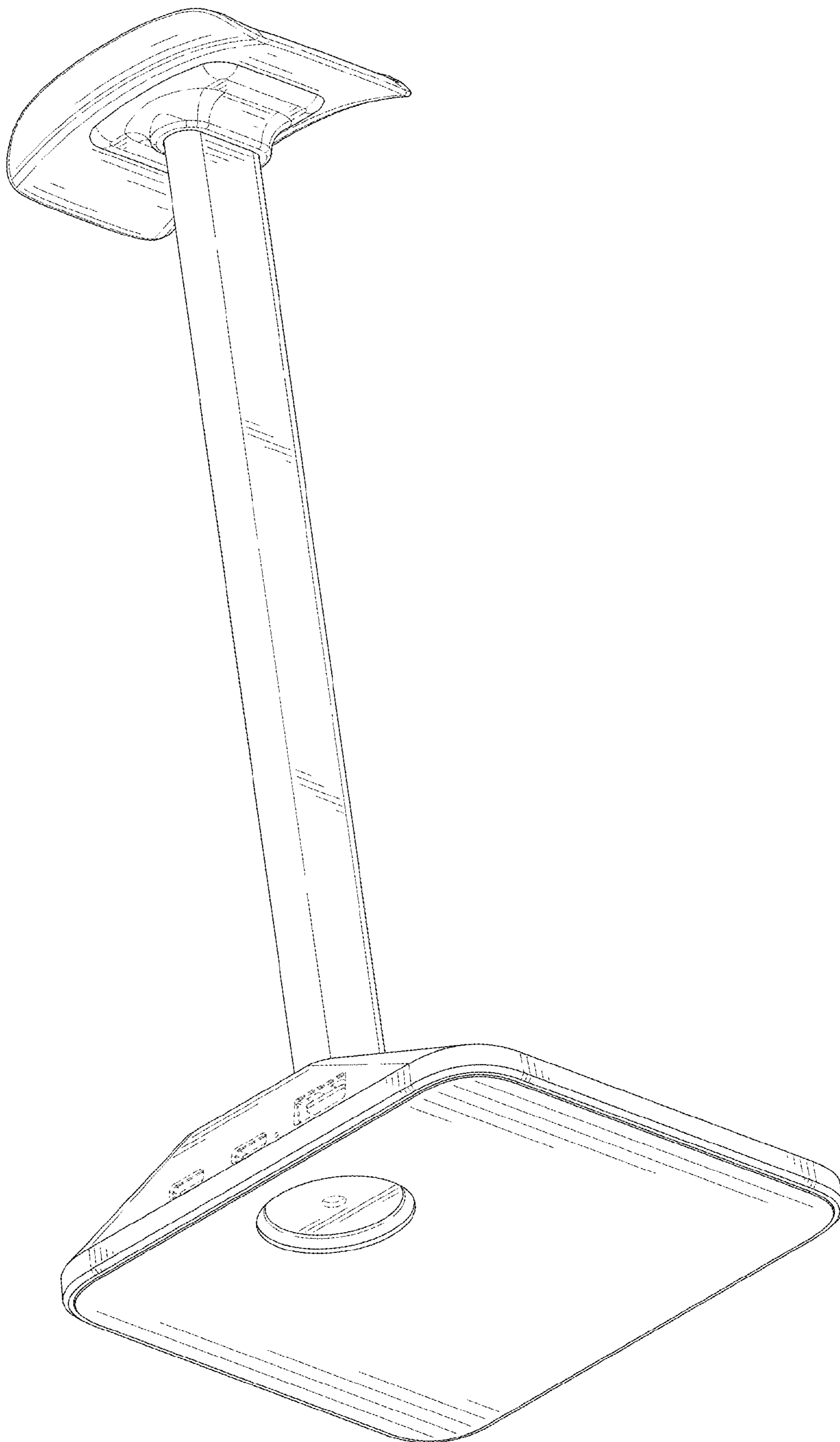


FIG. 2

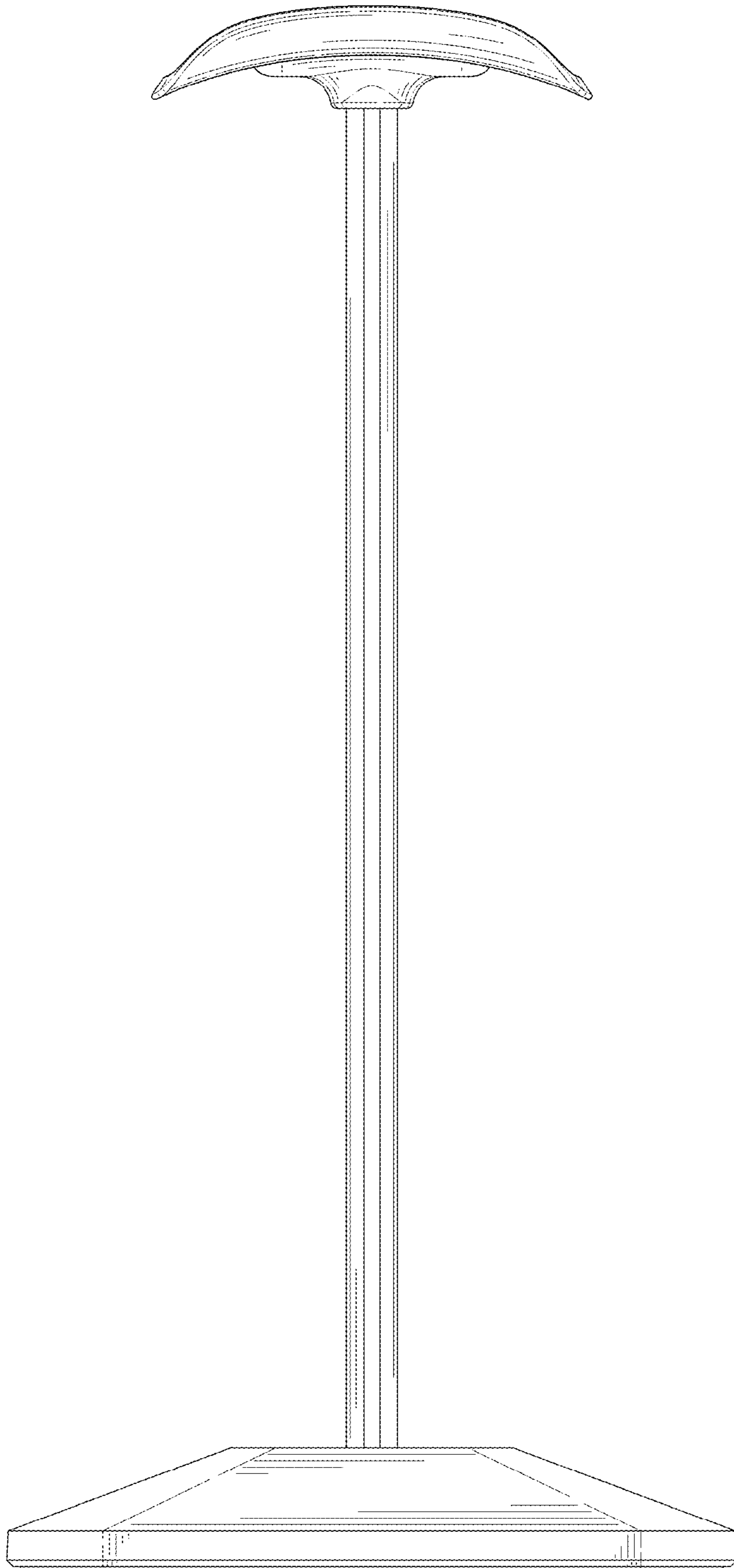


FIG. 3

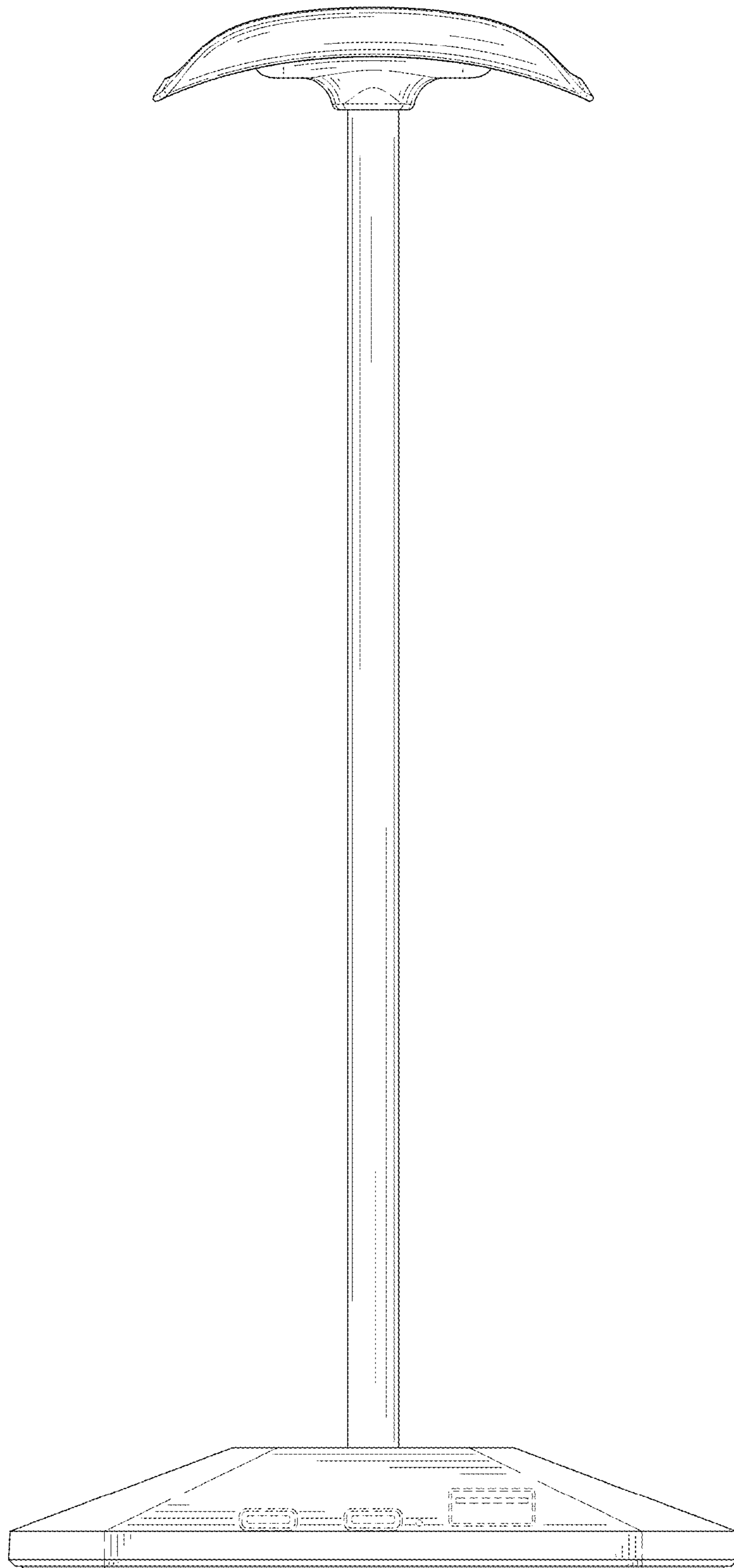


FIG. 4

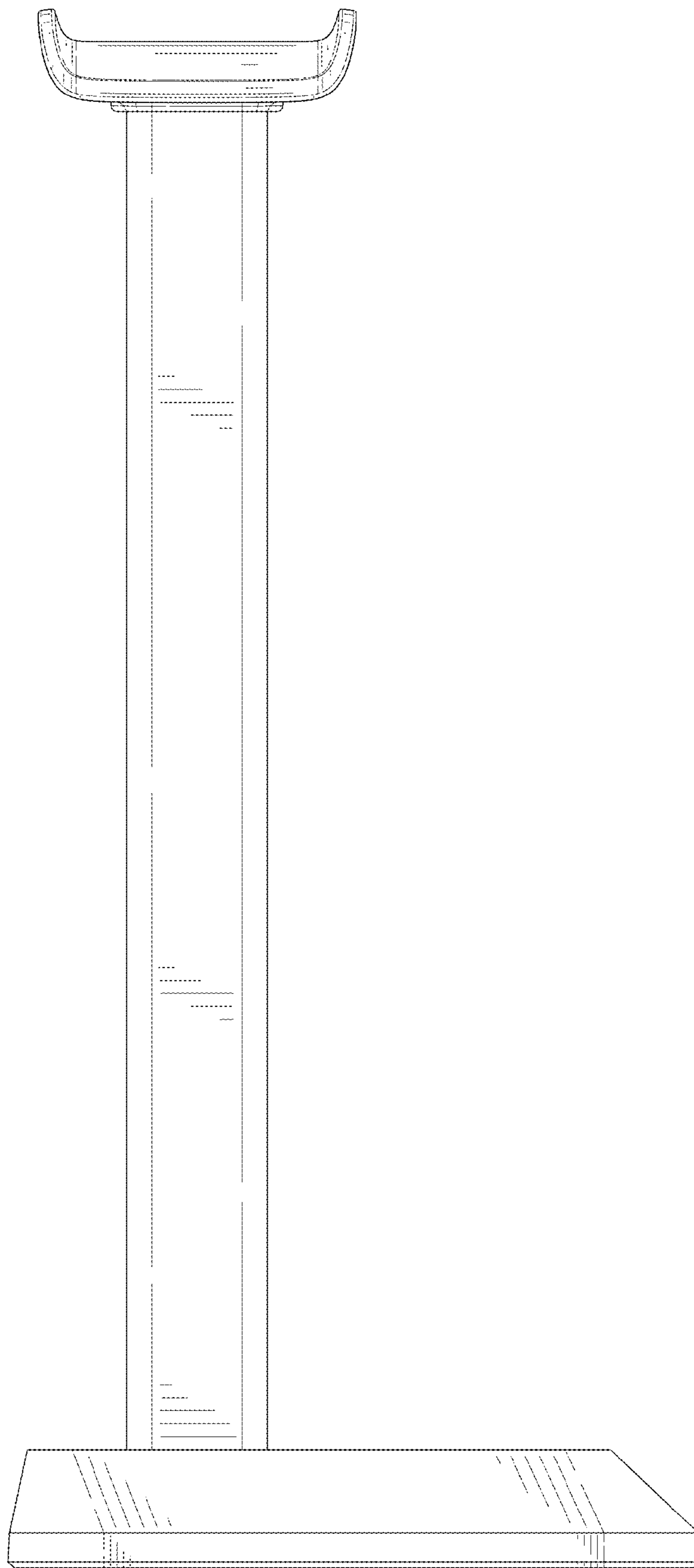


FIG. 5

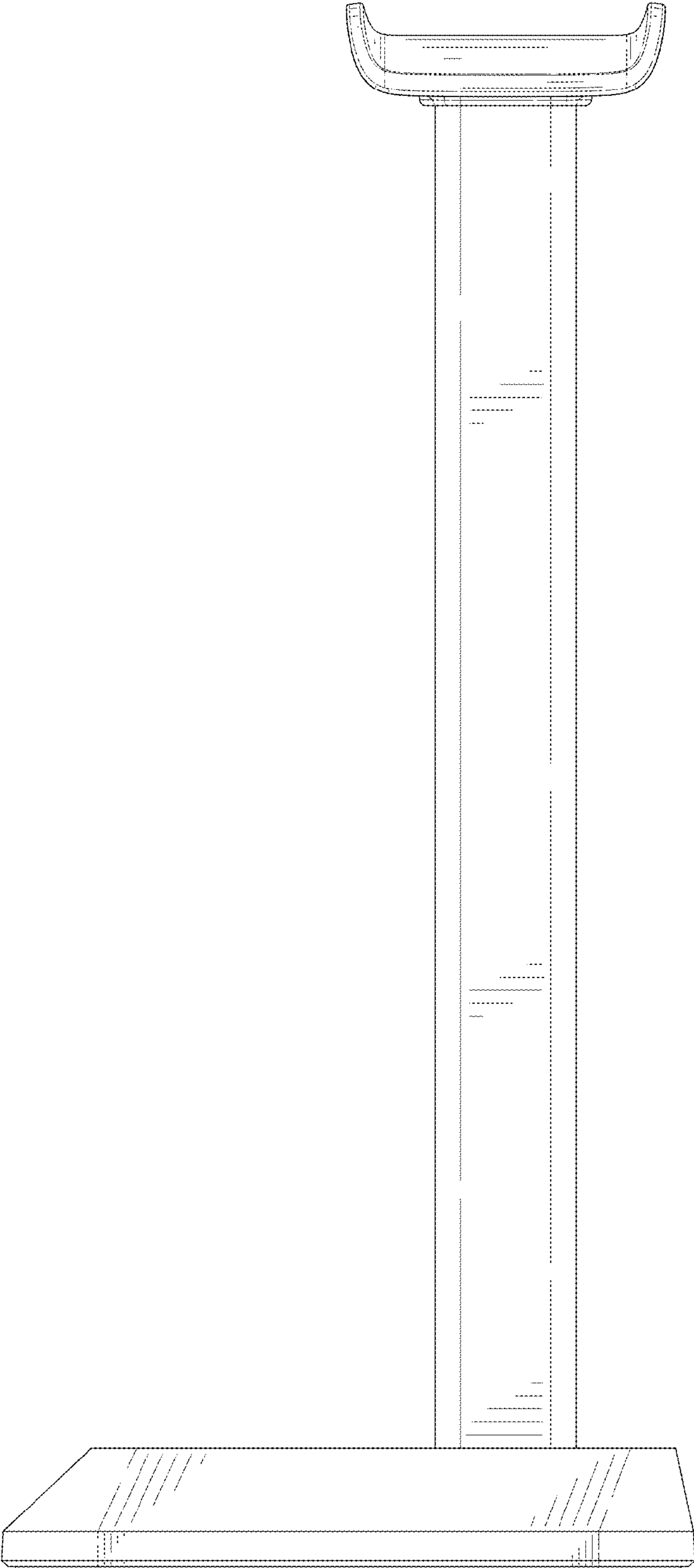


FIG. 6

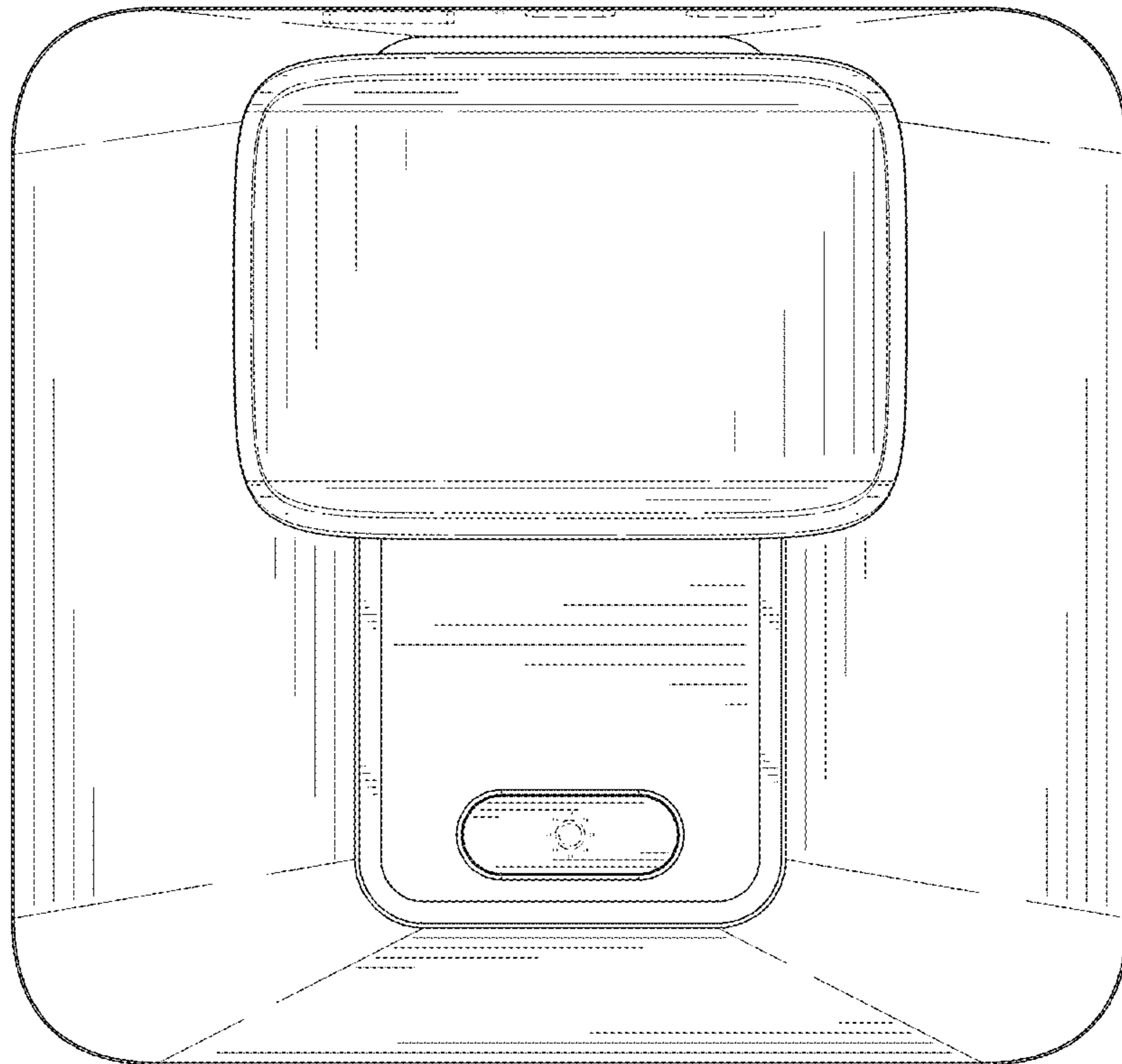


FIG. 7

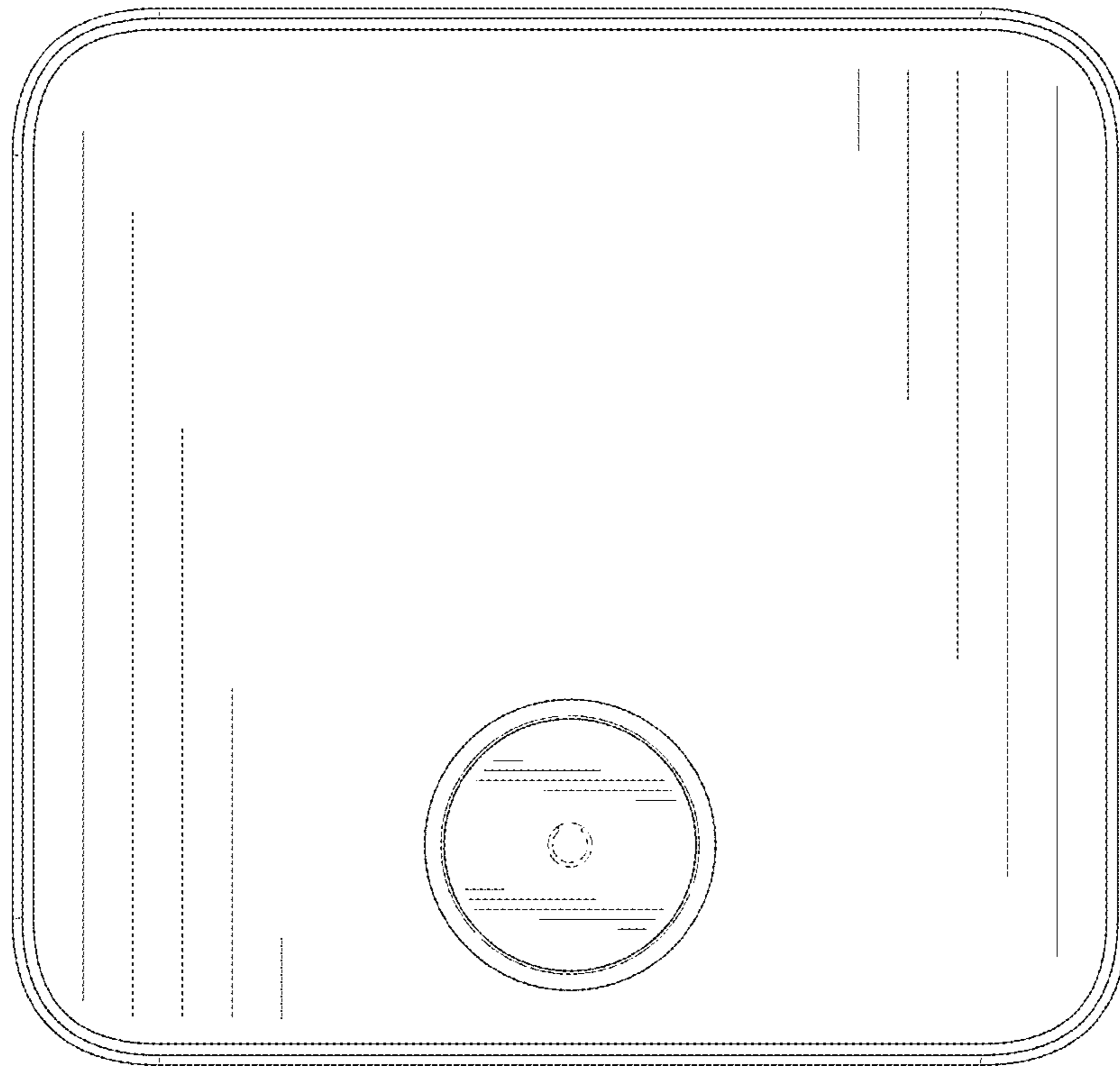


FIG. 8