

US00D963615S

(12) **United States Design Patent**
Xun et al.

(10) **Patent No.:** **US D963,615 S**
(45) **Date of Patent:** **** Sep. 13, 2022**

(54) **EARPHONE**
(71) Applicant: **BEIJING XIAOMI MOBILE SOFTWARE CO., LTD.**, Beijing (CN)
(72) Inventors: **Keliang Xun**, Beijing (CN); **Weiwei Chen**, Beijing (CN); **Qing Li**, Beijing (CN); **Ruijiang Wang**, Beijing (CN); **Bin Liu**, Beijing (CN); **Yifan Huang**, Beijing (CN)
(73) Assignee: **BEIJING XIAOMI MOBILE SOFTWARE CO., LTD.**, Beijing (CN)

D695,721 S * 12/2013 Thompson D14/223
D695,722 S * 12/2013 Thompson D14/223
D701,196 S * 3/2014 Kelly D14/223
D755,759 S * 5/2016 Cai D14/223
D770,412 S * 11/2016 Son D14/223
9,532,126 B1 * 12/2016 Kelly H04R 1/1008
D801,314 S * 10/2017 Akana D14/223
D830,345 S * 10/2018 Cai D14/223
D848,983 S * 5/2019 Kim D14/223
D867,325 S * 11/2019 Akana H04R 1/1016
D14/223

(Continued)

(**) Term: **15 Years**
(21) Appl. No.: **35/512,063**
(22) Filed: **Apr. 9, 2021**

FOREIGN PATENT DOCUMENTS

CN 304072607 S 3/2017

(80) **Hague Agreement Data**
Int. Filing Date: **Apr. 9, 2021**
Int. Reg. No.: **DM/214765**
Int. Reg. Date: **Apr. 9, 2021**
Int. Reg. Pub. Date: **Jun. 25, 2021**

OTHER PUBLICATIONS

Tiksounds Wireless Bluetooth Headphones, publication date Oct. 31, 2020; [online] URL: <https://www.amazon.de/-/en/Tiksounds-Bluetooth-Headphones-Reduction-Waterproof-black/dp/B08LGRK6MT/> (Year: 2020).*

(30) **Foreign Application Priority Data**

Primary Examiner — L. A. Grabenstetter

(74) *Attorney, Agent, or Firm* — Syncoda LLC; Feng Ma

Oct. 26, 2020 (CN) 202030640019.9

(51) **LOC (13) Cl.** **14-01**
(52) **U.S. Cl.**
USPC **D14/223**

(57) **CLAIM**

The ornamental design for an earphone, as shown and described.

(58) **Field of Classification Search**
USPC D14/192, 205, 206, 223, 372; D24/106, D24/174; D13/107-110, 118
CPC G10K 11/1781; G10K 2210/1081; H04R 2420/07; H04R 1/083; H04M 1/6066
See application file for complete search history.

DESCRIPTION

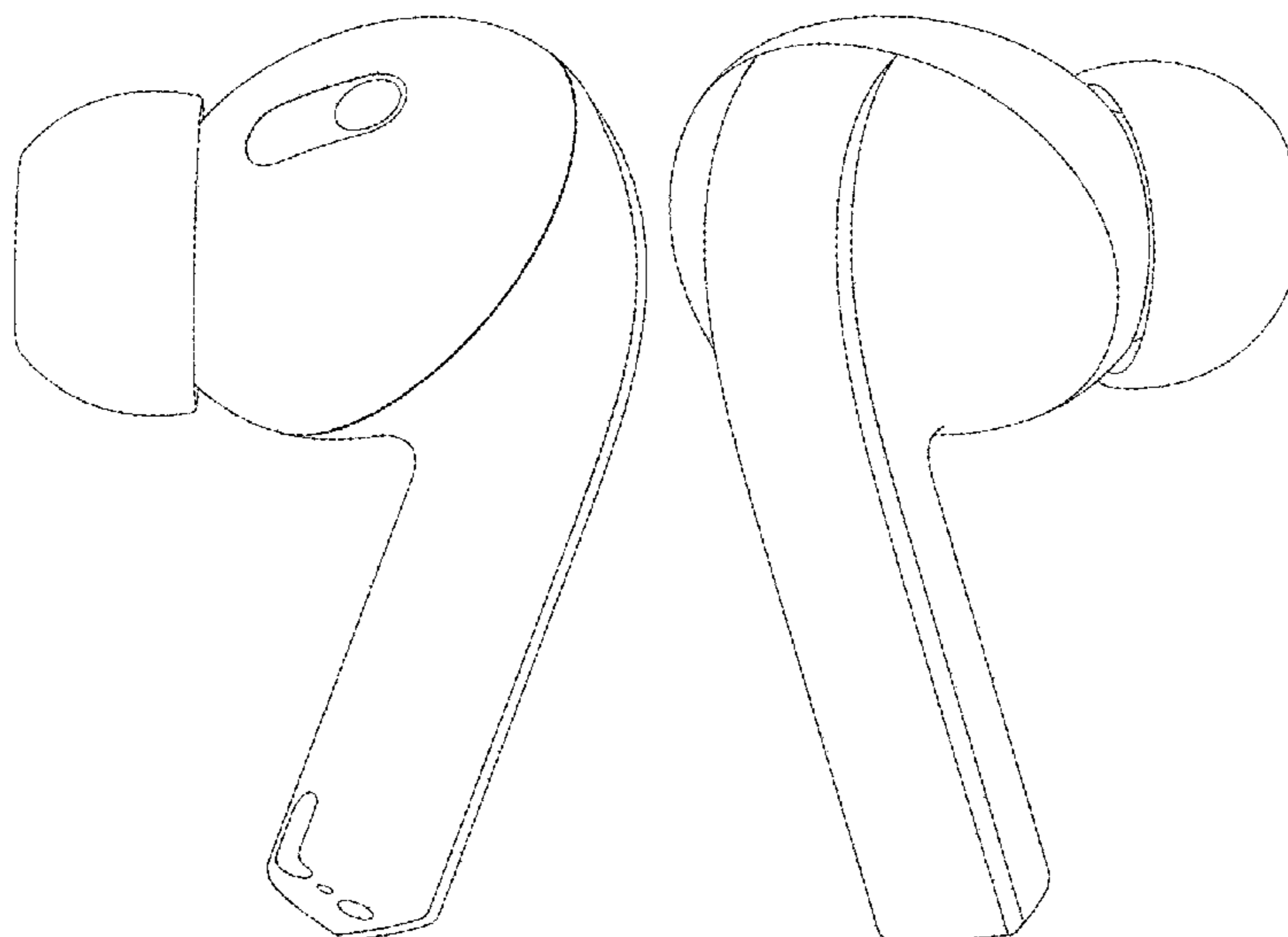
(56) **References Cited**

- 1. Earphone
- 1.1 : Front
- 1.2 : Back
- 1.3 : Left
- 1.4 : Right
- 1.5 : Top
- 1.6 : Bottom
- 1.7 : Front perspective
- 1.8 : Back perspective

U.S. PATENT DOCUMENTS

D652,823 S * 1/2012 Chen H04R 1/1016
D14/223
D657,780 S * 4/2012 Dahlberg D14/223
D688,650 S * 8/2013 Chen D14/223

1 Claim, 8 Drawing Sheets



(56)

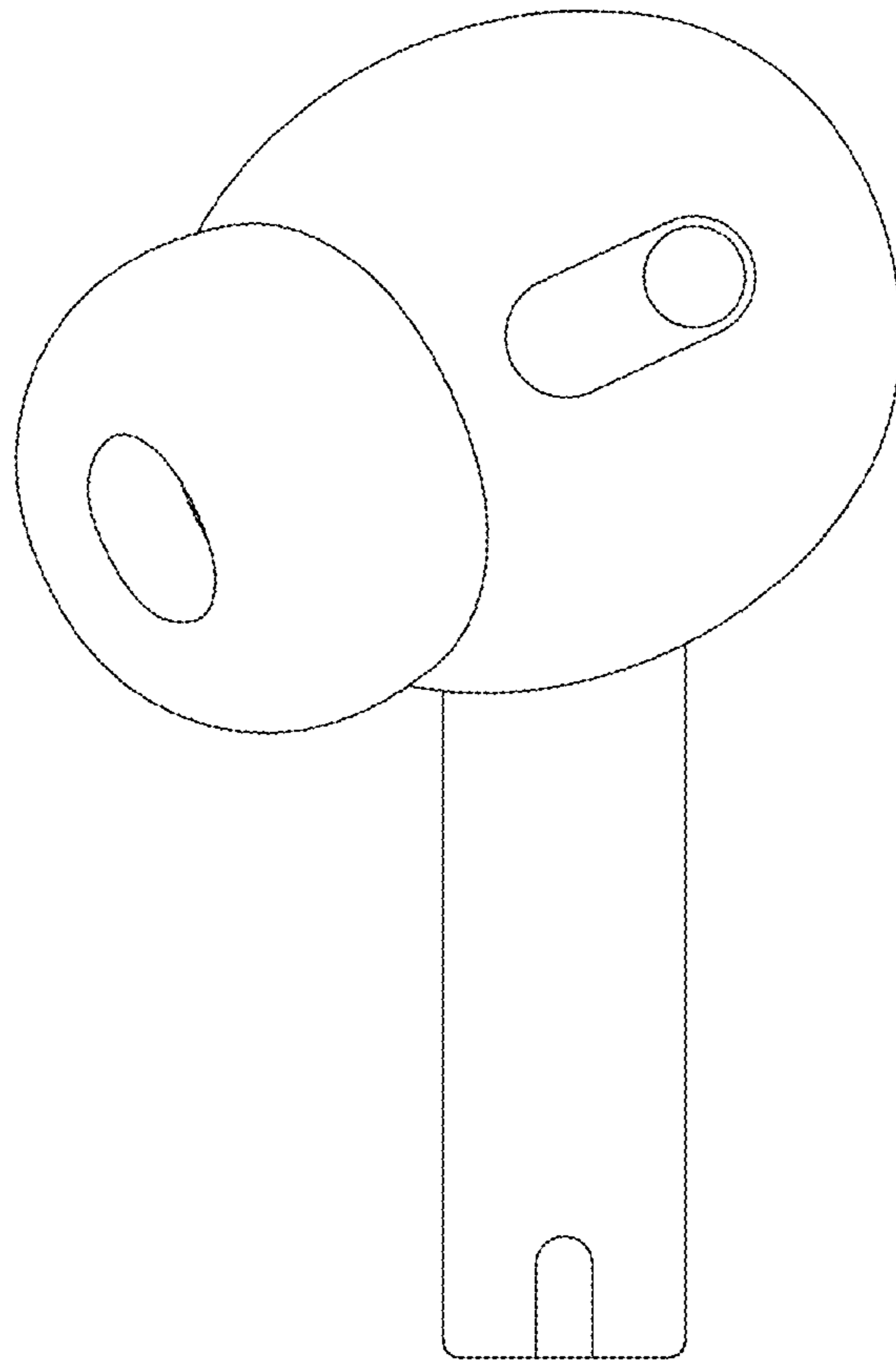
References Cited

U.S. PATENT DOCUMENTS

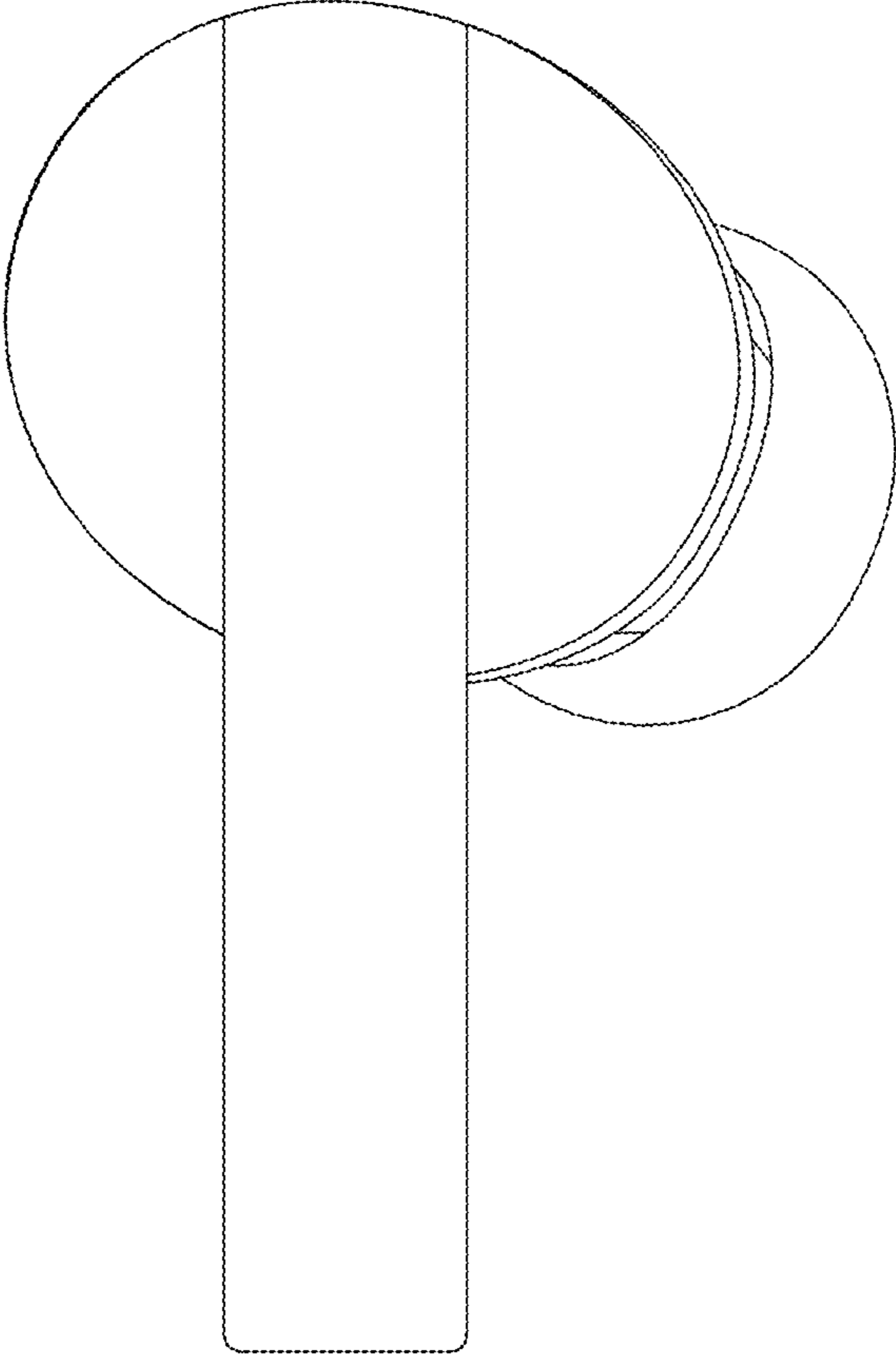
D869,445	S	*	12/2019	Hu	D14/223
D889,436	S	*	7/2020	Zhang	D14/206
D890,724	S	*	7/2020	Li	D14/223
D896,788	S	*	9/2020	Akana	D14/223
D897,998	S	*	10/2020	Ma	D14/223
D901,457	S	*	11/2020	Zhang	D14/223
D904,351	S	*	12/2020	Zhang	D14/223
D905,019	S	*	12/2020	Liu	D14/223
D908,114	S	*	1/2021	Jung	D14/223
D912,017	S	*	3/2021	Chen	D14/223
D916,058	S	*	4/2021	Wu	D14/223
D920,293	S	*	5/2021	Chen	D14/223
D925,499	S	*	7/2021	Xie	D14/223
D929,379	S	*	8/2021	Woo	D14/223
D930,623	S	*	9/2021	Liu	D14/223
D938,400	S	*	12/2021	Du	D14/223
D942,753	S	*	2/2022	Zhou	D3/274
D947,818	S	*	4/2022	Zhang	D14/223
2014/0153767	A1	*	6/2014	Hua	H04R 1/1091 381/380
2018/0310089	A1	*	10/2018	Yun	H04R 1/105

* cited by examiner

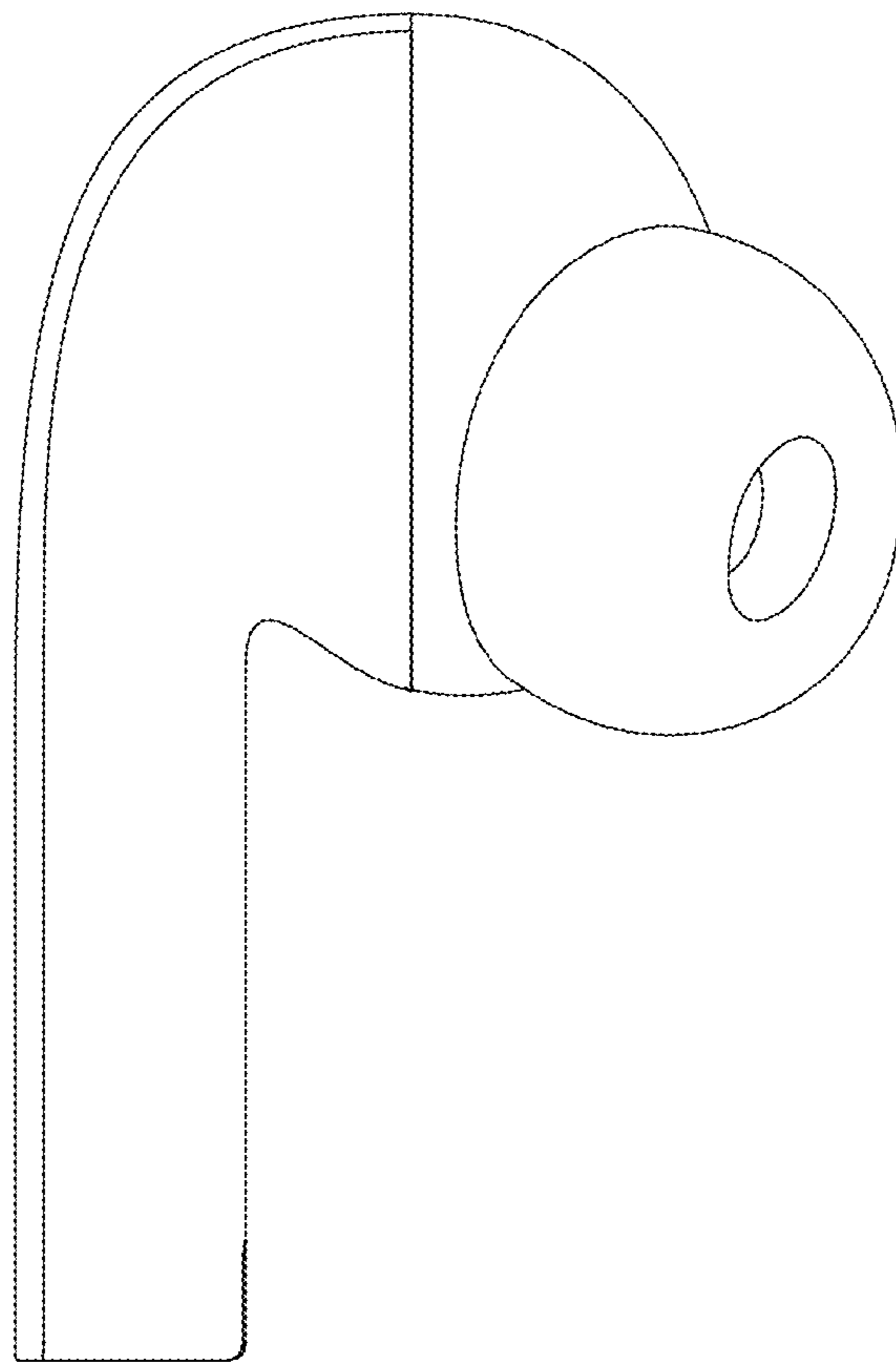
1.1



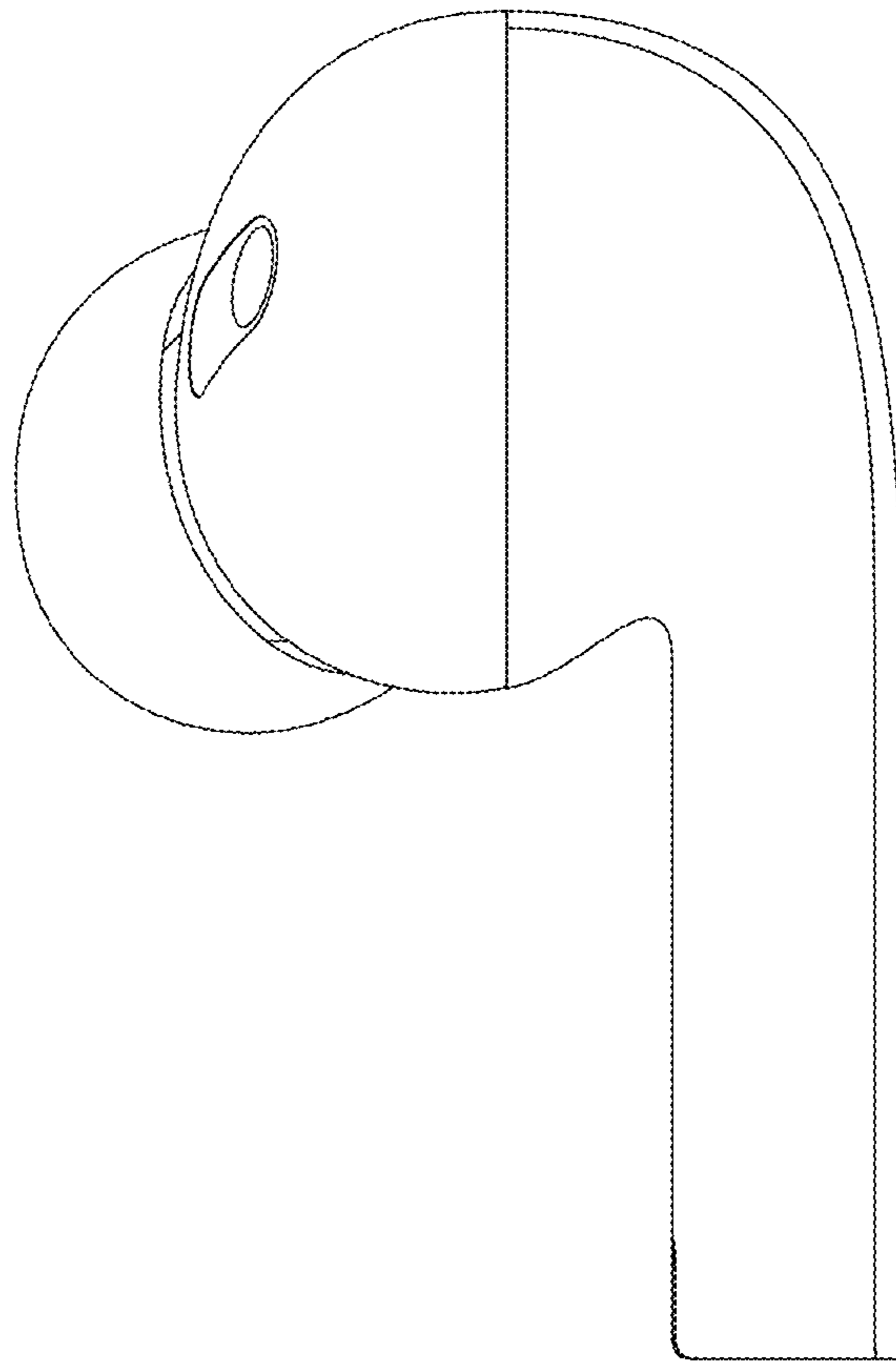
1.2



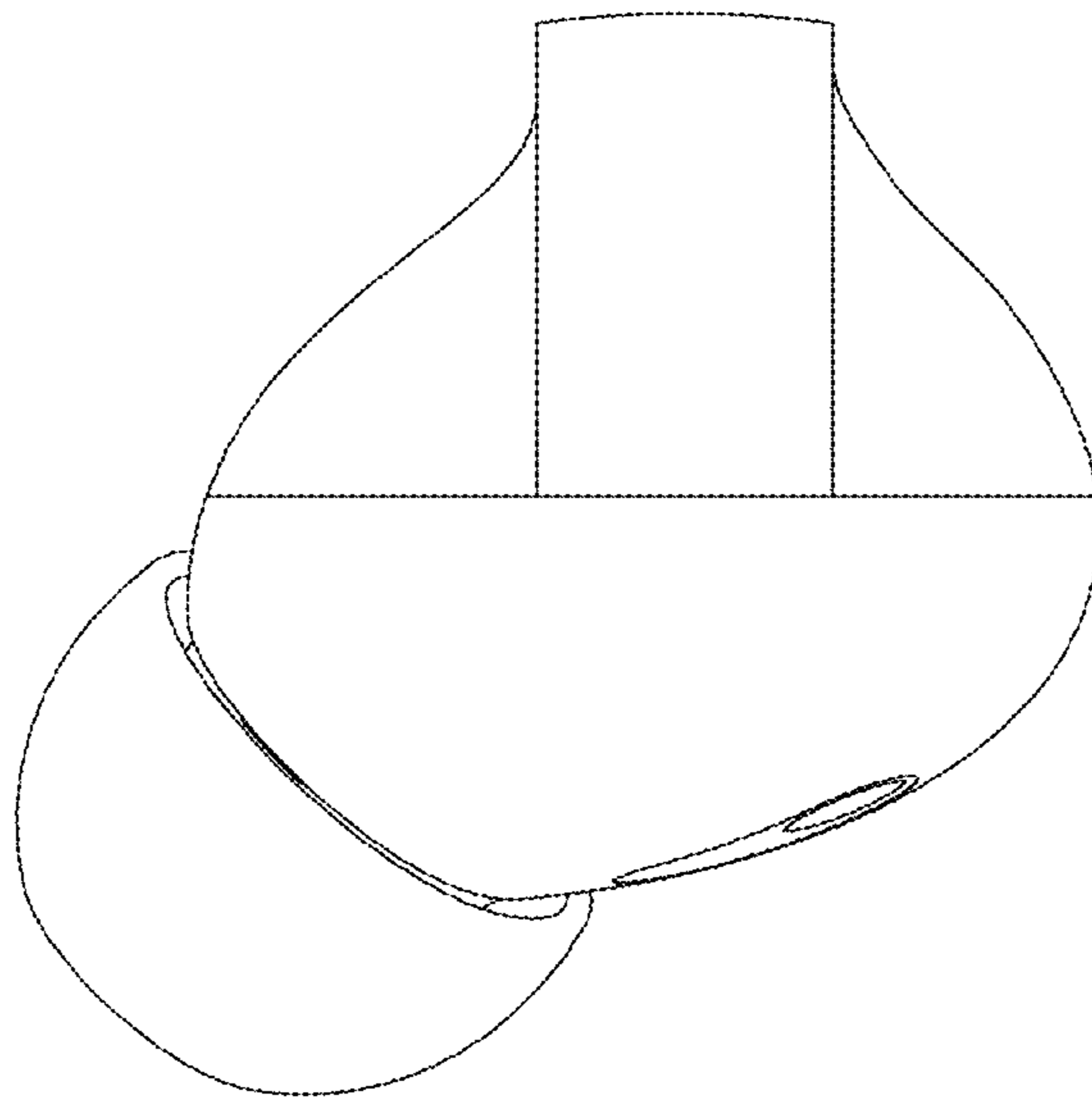
1.3



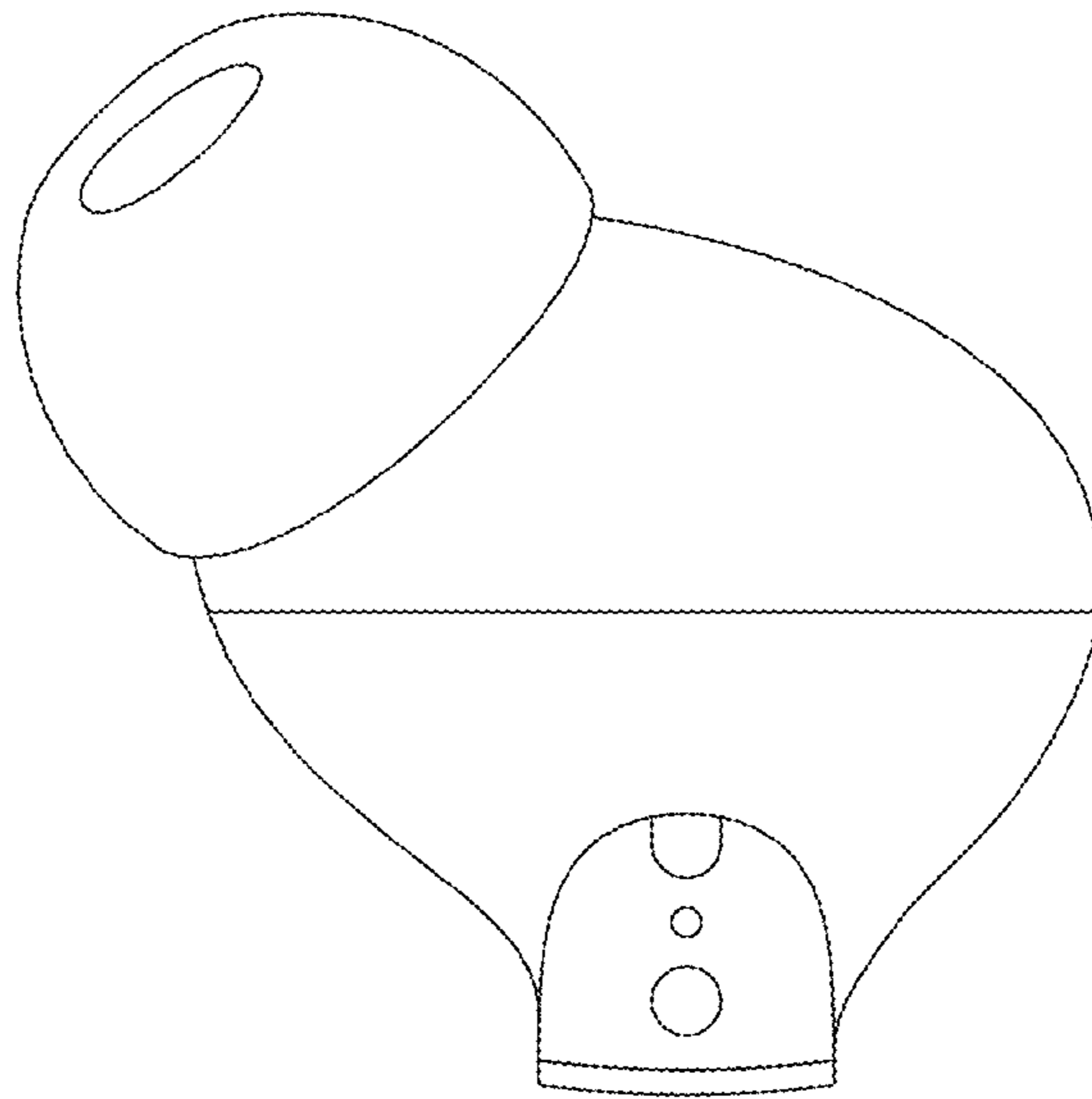
1.4



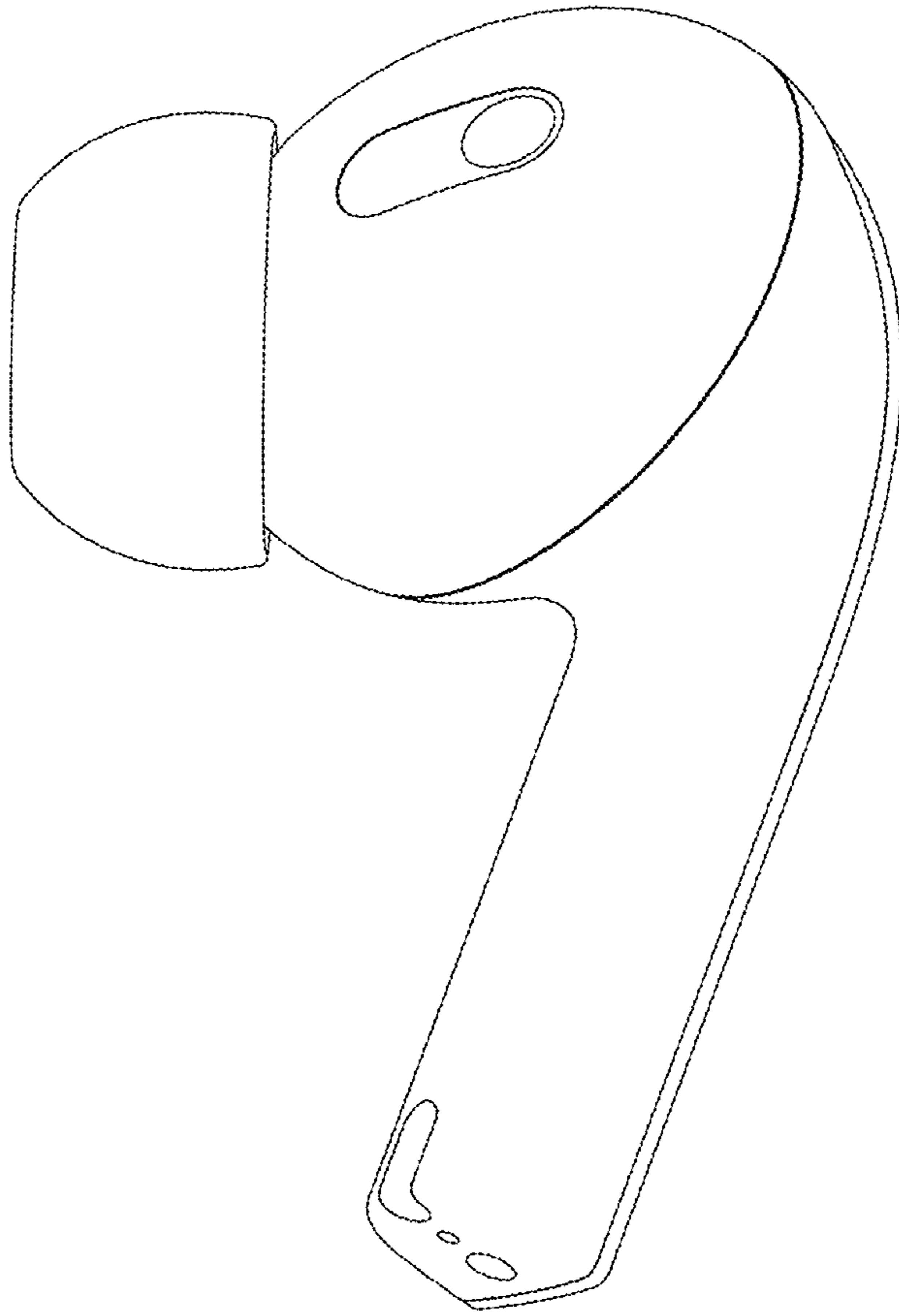
1.5



1.6



1.7



1.8

