



US00D963614S

(12) **United States Design Patent** (10) **Patent No.:** **US D963,614 S**  
**Wu** (45) **Date of Patent:** **\*\* Sep. 13, 2022**

(54) **EARPHONE**  
(71) Applicant: **Shen Zhen Ocen Technology Co. Ltd,**  
Guangdong (CN)  
(72) Inventor: **Zhijun Wu,** Guangdong (CN)  
(73) Assignee: **Shen Zhen Ocen Technology Co. Ltd,**  
Guangdong (CN)

D916,055 S \* 4/2021 Xiao ..... D14/223  
D916,056 S \* 4/2021 Boyd ..... D14/223  
D918,180 S \* 5/2021 Bailey ..... D14/223  
D919,595 S \* 5/2021 Ott ..... D14/223  
D926,152 S \* 7/2021 Yan ..... D14/206  
D926,731 S 8/2021 Deng  
D941,806 S \* 1/2022 Liu ..... D14/223  
2016/0100237 A1\* 4/2016 Blouse ..... H04R 1/105  
381/378

(\*\*) Term: **15 Years**  
(21) Appl. No.: **29/819,735**

FOREIGN PATENT DOCUMENTS  
EM 008862395-0001 \* 2/2022

(22) Filed: **Dec. 16, 2021**  
(51) **LOC (13) Cl.** ..... **14-01**  
(52) **U.S. Cl.**  
USPC ..... **D14/223**  
(58) **Field of Classification Search**  
USPC ..... D14/204-206, 223; D13/108  
CPC .. H04R 1/1083; H04R 1/1041; H04R 1/1016;  
H04R 5/0335; H02J 7/0044  
See application file for complete search history.

OTHER PUBLICATIONS  
AVAZI Bluetooth headphones, cusomter reviews 2019, site visited  
Jul. 11, 2022, [https://www.amazon.com/AVAZI-Headphones-Waterproof-HD-Sweatproof/dp/B07JFPX1GJ/ref=sr\\_1\\_240 . . . \\*](https://www.amazon.com/AVAZI-Headphones-Waterproof-HD-Sweatproof/dp/B07JFPX1GJ/ref=sr_1_240...)  
\* cited by examiner

*Primary Examiner* — John R Yeh  
(74) *Attorney, Agent, or Firm* — JCIP Global Inc.

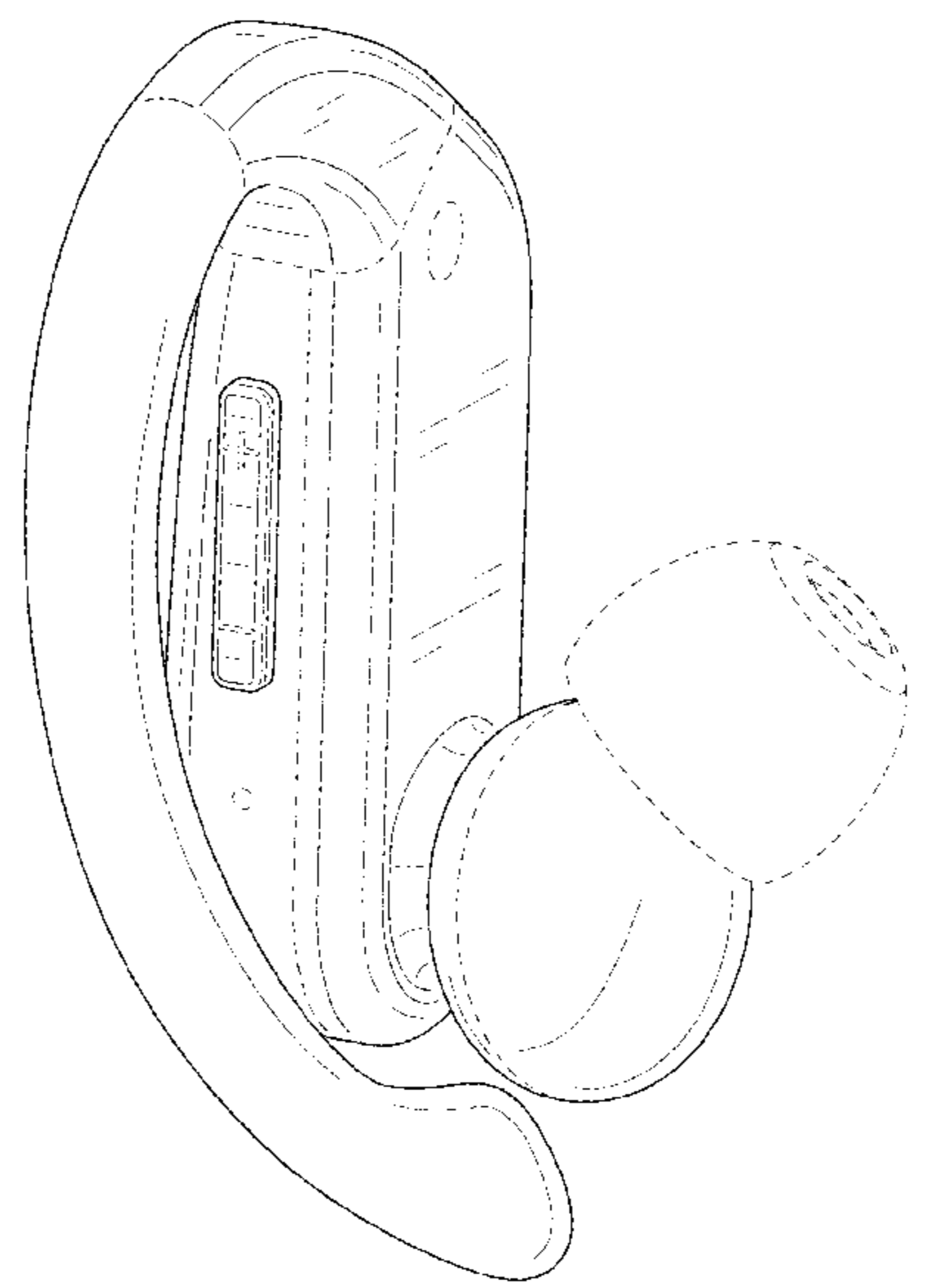
(56) **References Cited**  
U.S. PATENT DOCUMENTS

(57) **CLAIM**  
The ornamental design for an earphone, as shown and described.

- D542,267 S \* 5/2007 Cha ..... D14/206
- D574,367 S \* 8/2008 Jaakkola ..... D14/223
- D625,297 S \* 10/2010 Tseng ..... D14/223
- D647,513 S \* 10/2011 Ha ..... D14/223
- D650,369 S \* 12/2011 Park ..... D14/223
- D761,770 S \* 7/2016 Kanou ..... D14/206
- D821,364 S \* 6/2018 Brunner ..... D14/223
- D863,265 S 10/2019 Hu
- D883,259 S \* 5/2020 Ma ..... D14/206
- D885,370 S \* 5/2020 Hu ..... D14/223
- D886,804 S \* 6/2020 Cho ..... D14/206
- D888,022 S \* 6/2020 McCune ..... D14/223
- D890,137 S \* 7/2020 Ma ..... D14/223
- D897,320 S \* 9/2020 Boyd ..... D14/223
- D907,608 S \* 1/2021 Xie ..... D14/223
- D915,356 S \* 4/2021 Gao ..... D14/223
- D915,357 S \* 4/2021 Gao ..... D14/223

**DESCRIPTION**  
FIG. 1 is a perspective view of an earphone showing my new design;  
FIG. 2 is a front view thereof;  
FIG. 3 is a rear view thereof;  
FIG. 4 is a left side view thereof;  
FIG. 5 is a right side view thereof;  
FIG. 6 is a top view thereof; and,  
FIG. 7 is a bottom view thereof.  
The broken lines depict portions of the earphone that form no part of the claimed design.

**1 Claim, 6 Drawing Sheets**



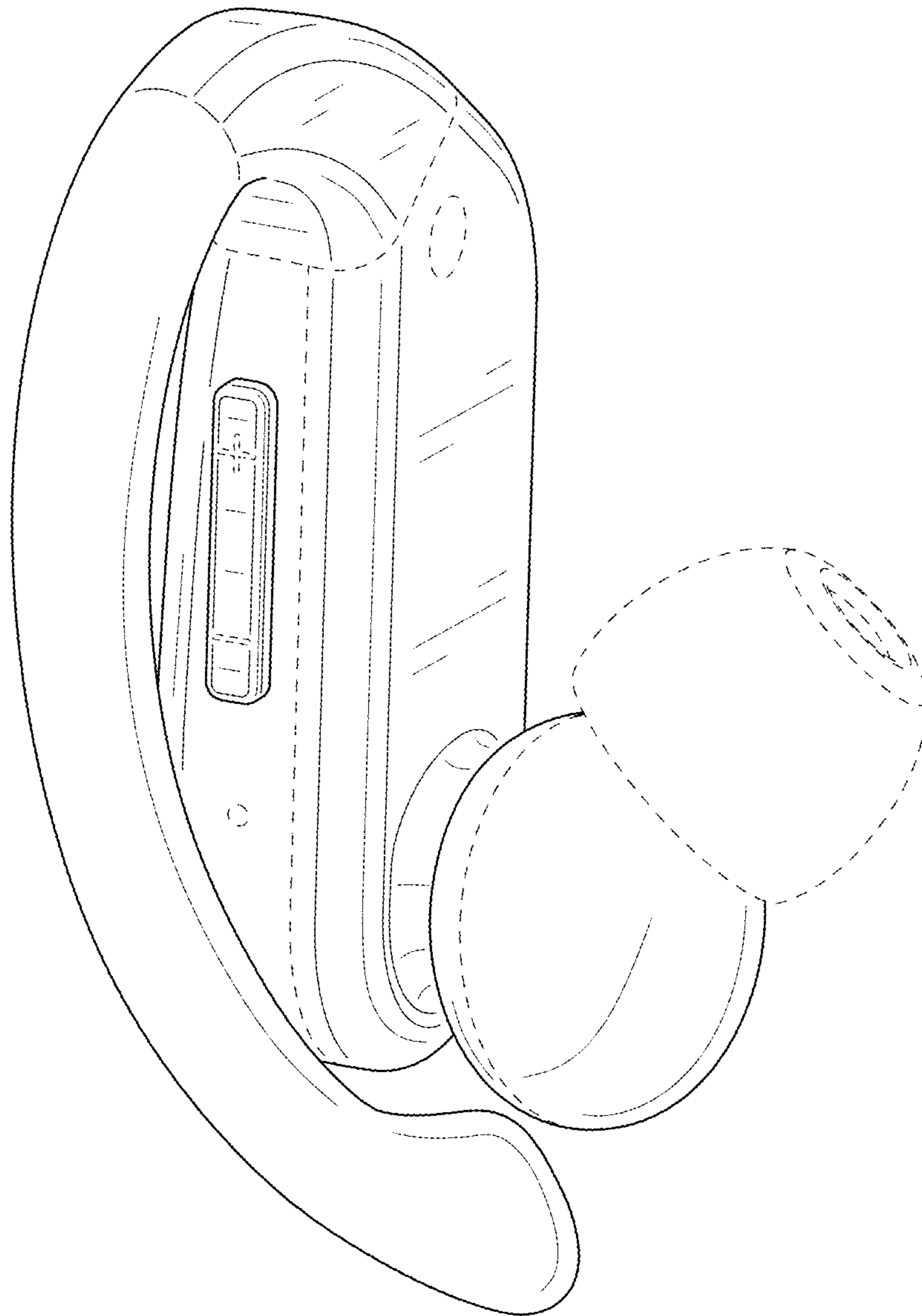


FIG. 1

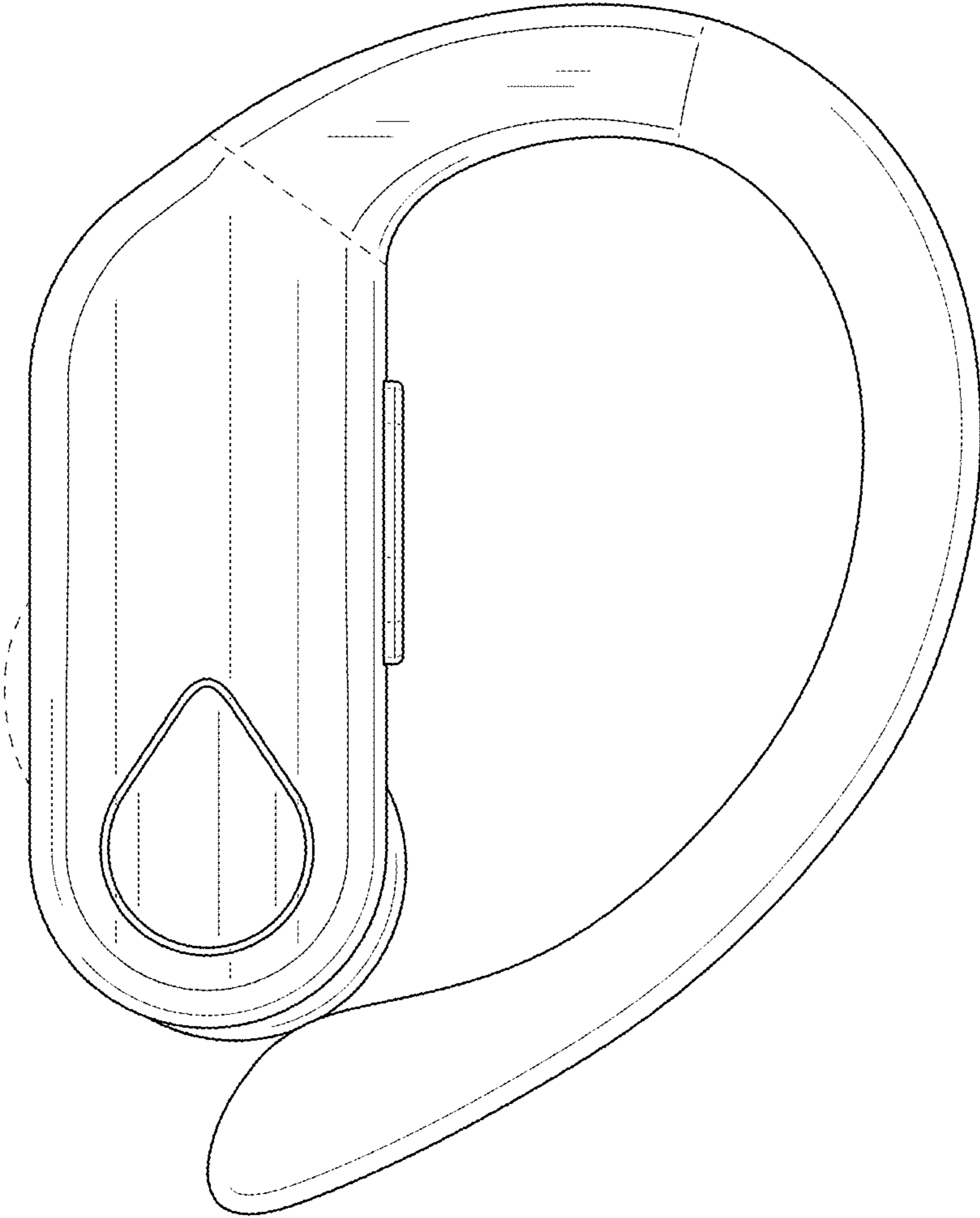


FIG. 2

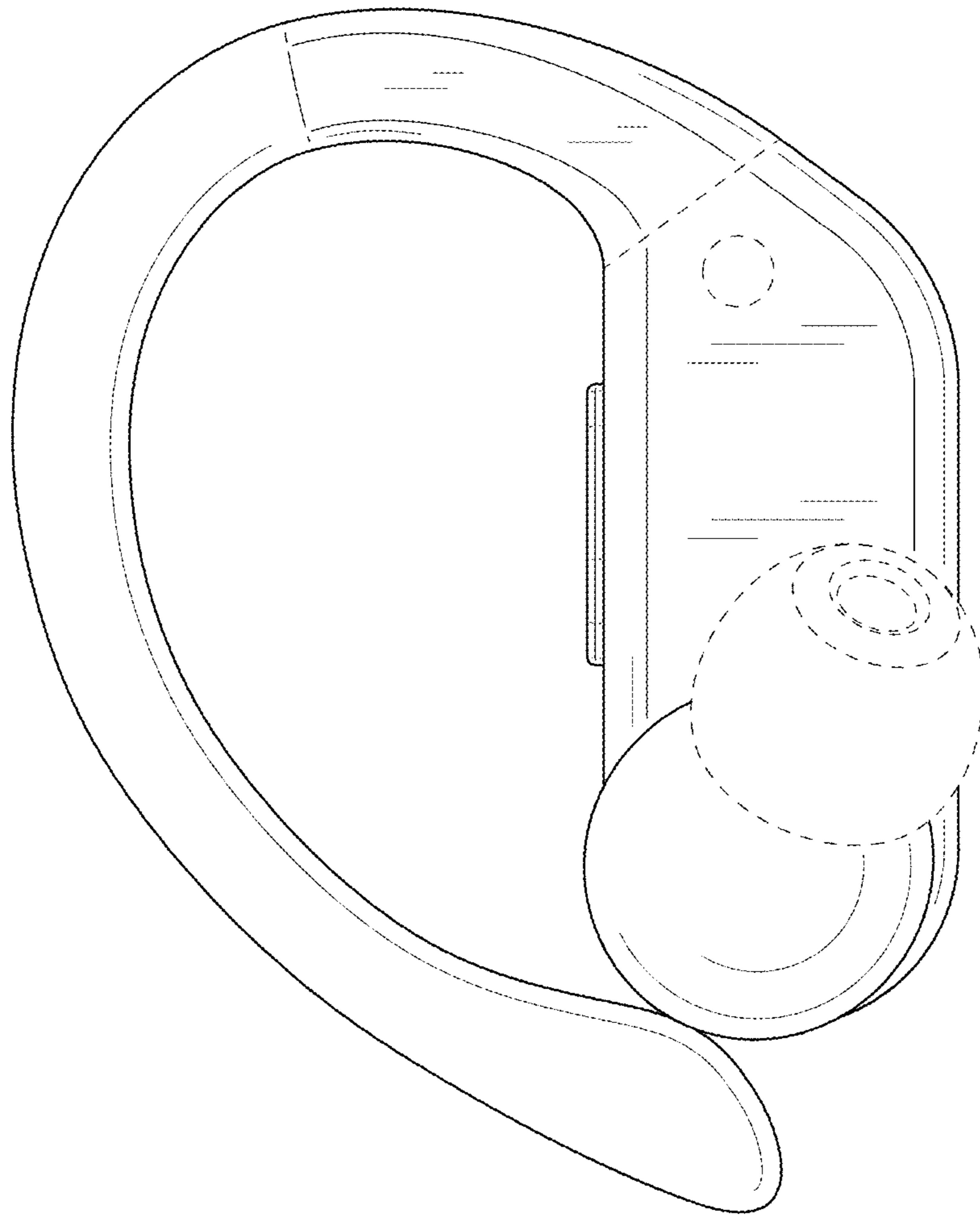


FIG. 3

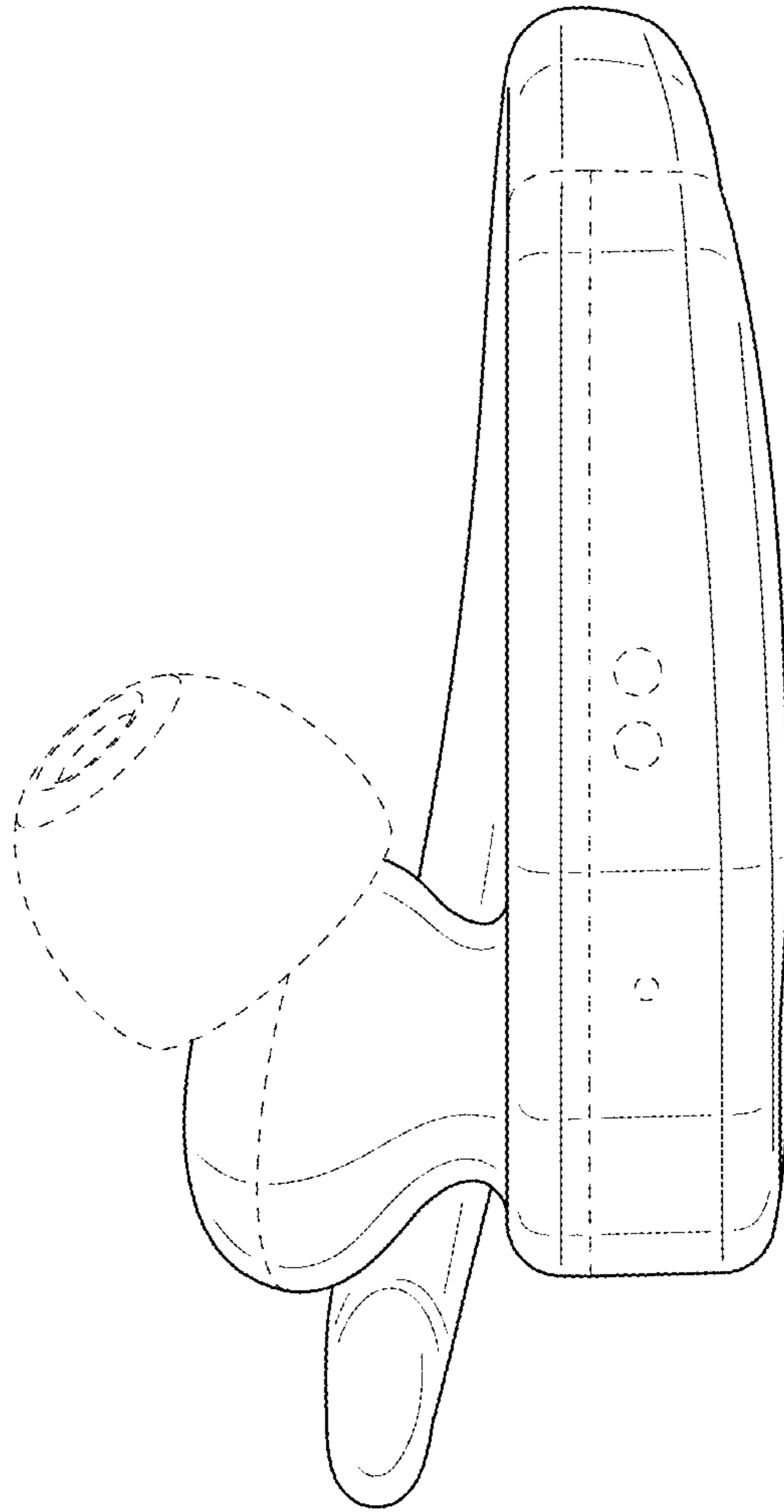


FIG. 4

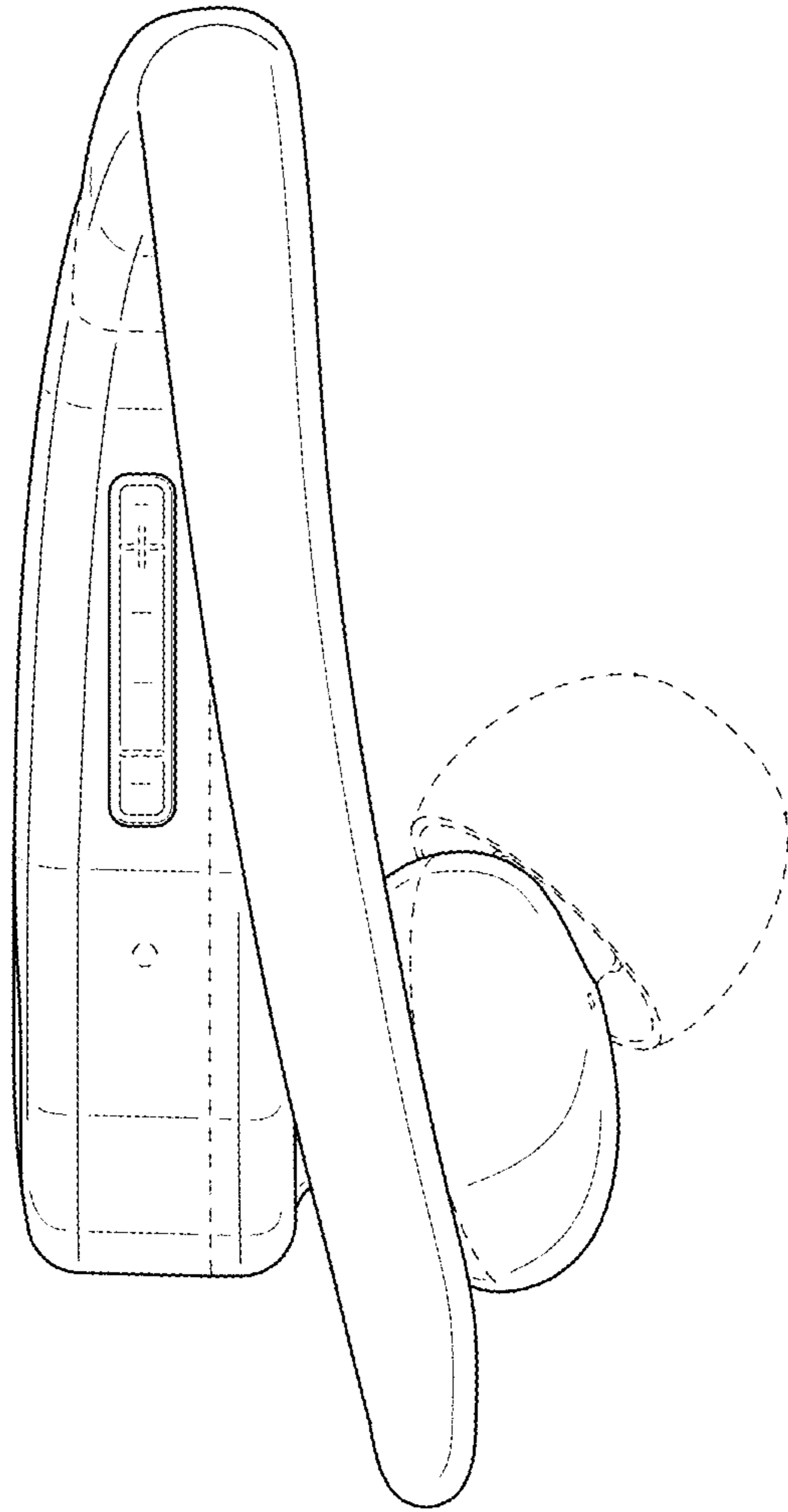


FIG. 5

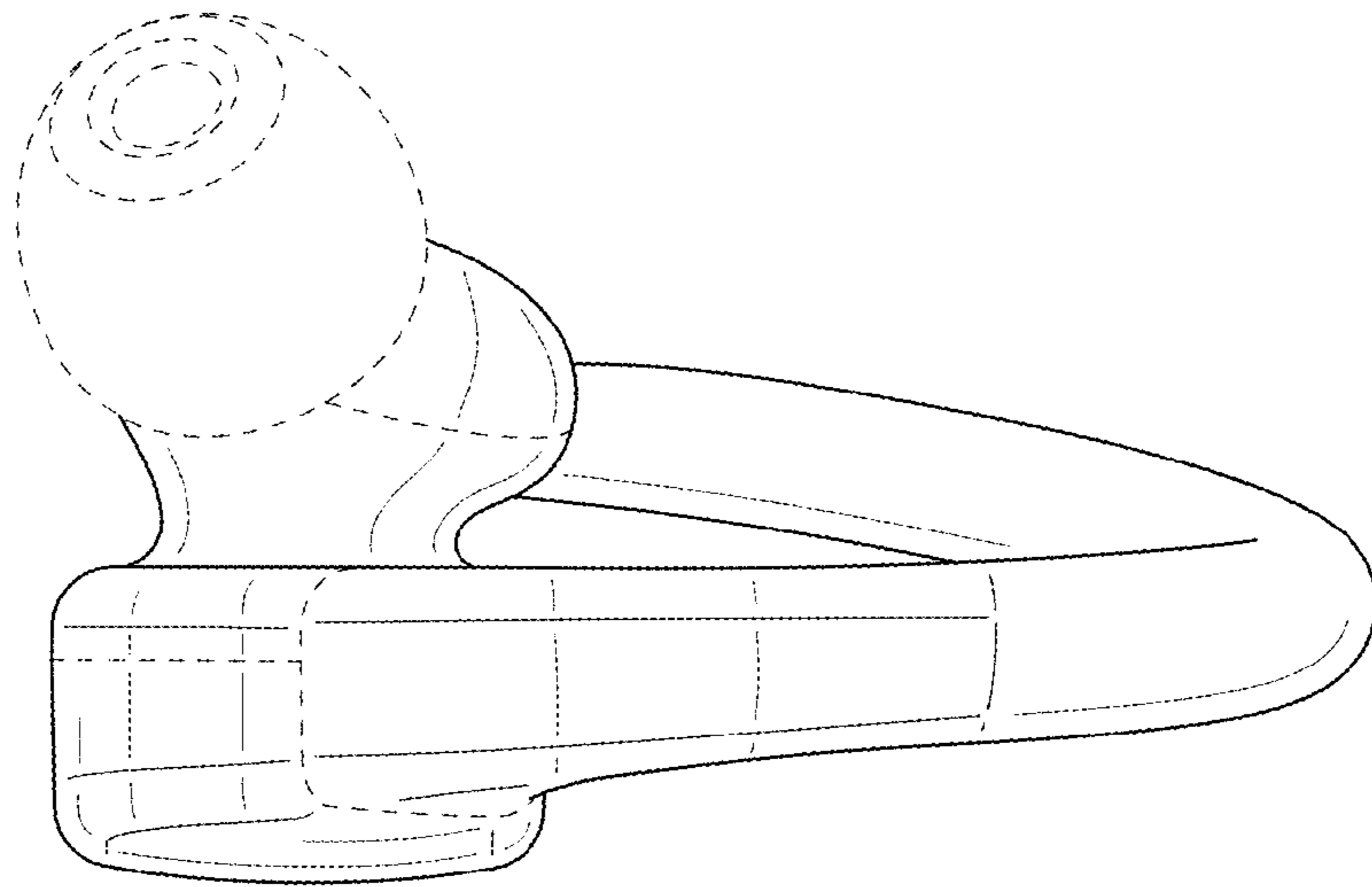


FIG. 6

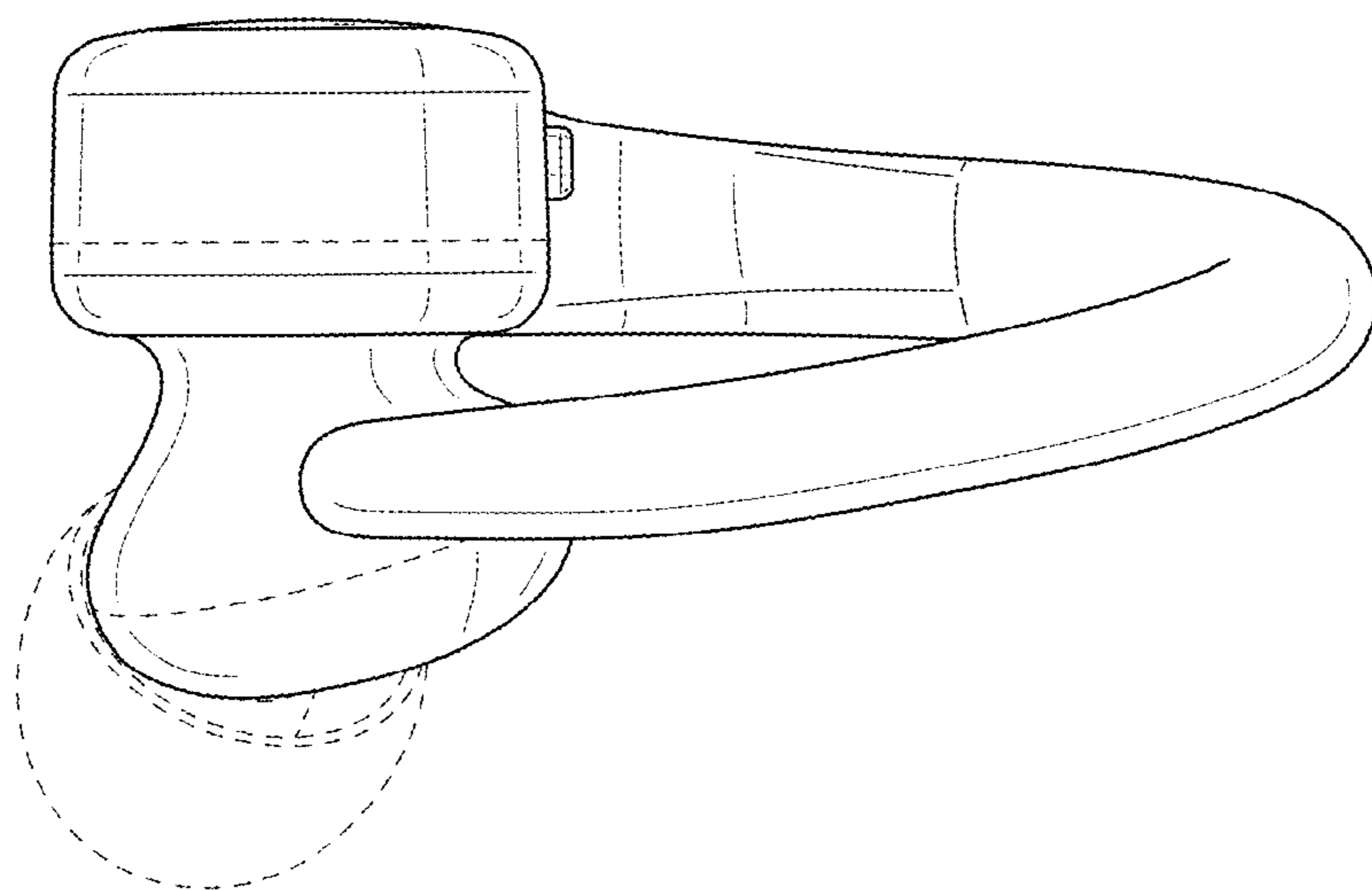


FIG. 7