



US00D963612S

(12) **United States Design Patent**
Lin

(10) **Patent No.:** **US D963,612 S**

(45) **Date of Patent:** **** Sep. 13, 2022**

(54) **EARPHONE**

(71) Applicant: **Shenzhen Taozhi Technology Co., Ltd.**, Shenzhen (CN)

(72) Inventor: **Mian Lin**, Shenzhen (CN)

(**) Term: **15 Years**

(21) Appl. No.: **29/735,290**

(22) Filed: **May 20, 2020**

(51) **LOC (13) Cl.** **14-01**

(52) **U.S. Cl.**
USPC **D14/223**

(58) **Field of Classification Search**

USPC D14/223, 205; D24/174; 128/864, 865,
128/866; 381/380, 381, 322, 324;
455/90.3, 575.1, 569.1

CPC H04R 1/10; H04R 25/00; H04R 1/1016;
H04R 1/1066; H04R 5/033; H04R
5/0335; H04R 1/1058; H04R 1/105;
H04R 1/1083; H04R 1/1091

See application file for complete search history.

(56) **References Cited**

U.S. PATENT DOCUMENTS

- 8,406,448 B2 * 3/2013 Lin H04R 1/1091
381/380
- D711,356 S * 8/2014 Yang D14/223
- D719,139 S * 12/2014 Henry D14/223
- D725,082 S * 3/2015 Palmborg D14/223
- 8,983,108 B2 * 3/2015 Ho H04R 1/1016
381/380
- D726,145 S * 4/2015 Hsieh D14/205
- D727,871 S * 4/2015 Orbach D14/205
- D728,107 S * 4/2015 Torres Martin D24/174
- D733,102 S * 6/2015 Palmborg D14/223
- D733,103 S * 6/2015 Jeong D14/224
- D735,169 S * 7/2015 Shieh D14/223
- D742,861 S * 11/2015 Miyake D14/223

- D764,445 S * 8/2016 Czaniecki D14/223
- D773,439 S * 12/2016 Walker D14/223
- D777,710 S * 1/2017 Palmborg D14/223
- D778,267 S * 2/2017 Hsieh D14/223
- D781,269 S * 3/2017 Choe D14/223
- D782,997 S * 4/2017 Shin D14/205
- D782,998 S * 4/2017 Shin D14/205
- D788,079 S * 5/2017 Son D14/223
- D798,843 S * 10/2017 Valenzuela D14/223
- D800,097 S * 10/2017 Chen D14/223
- D805,060 S * 12/2017 Loermann D14/223
- D806,879 S * 1/2018 Horbinski D24/174
- D810,054 S * 2/2018 Yuan D14/223
- D812,042 S * 3/2018 Xiao D14/223
- D813,206 S * 3/2018 Tang D14/223

(Continued)

FOREIGN PATENT DOCUMENTS

- CN 304908464 * 11/2018
- CN 305412671 * 11/2019

(Continued)

Primary Examiner — Paula Allen Greene

(74) *Attorney, Agent, or Firm* — Rumit Ranjit Kanakia

(57) **CLAIM**

I claim the ornamental design for an earphone, as shown and described.

DESCRIPTION

FIG. 1 is a perspective view of an earphone showing my new design;

FIG. 2 is a front view thereof;

FIG. 3 is a back view thereof;

FIG. 4 is a right-side view thereof;

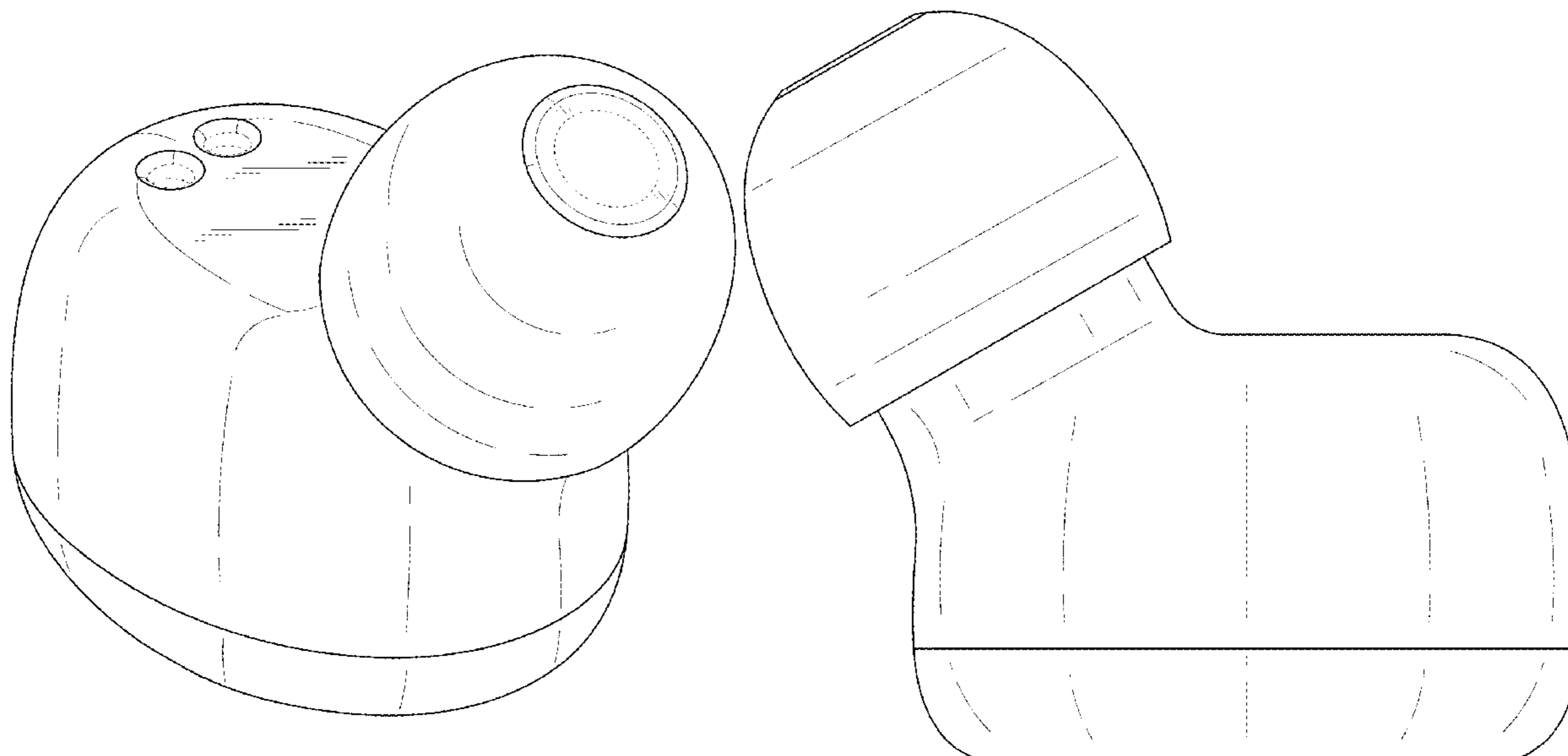
FIG. 5 is a left-side view thereof;

FIG. 6 is a top view thereof; and,

FIG. 7 is a bottom view thereof.

The broken lines depict portions of the earphone that form no part of the claimed design.

1 Claim, 7 Drawing Sheets



(56)

References Cited

U.S. PATENT DOCUMENTS

D817,309 S * 5/2018 Czaniecki D14/223
 10,052,065 B2 * 8/2018 Boesen A61B 5/746
 D841,627 S * 2/2019 Wen D14/223
 D843,354 S * 3/2019 Kumano D14/223
 D845,932 S * 4/2019 Lu D14/223
 D846,532 S * 4/2019 Xiao D14/223
 D847,126 S * 4/2019 Loermann D14/223
 D851,072 S * 6/2019 McNamara D14/223
 D852,782 S * 7/2019 Bergman D14/223
 D855,589 S * 8/2019 Madsen D14/223
 D858,489 S * 9/2019 Hu D14/223
 D863,263 S * 10/2019 Yu D14/223
 D864,167 S * 10/2019 Wu D14/223
 D868,752 S * 12/2019 Zhu D14/223
 D870,707 S * 12/2019 Yang D14/223
 D875,714 S * 2/2020 Kim D14/205
 D880,457 S * 4/2020 Zhu D14/223
 D885,372 S * 5/2020 Wang D14/223
 D887,395 S * 6/2020 Wang D14/223
 D889,441 S * 7/2020 Lin D14/223
 D890,138 S * 7/2020 Peng D14/223
 D892,085 S * 8/2020 Kim D14/223
 D892,769 S * 8/2020 Cai D14/223
 D894,123 S * 8/2020 Xiong D13/108
 D895,580 S * 9/2020 Yu D14/223
 D897,319 S * 9/2020 Wang D14/223
 D897,322 S * 9/2020 Wei D14/223
 D897,996 S * 10/2020 Mei D14/223
 D899,405 S * 10/2020 Vaclavik D14/223
 D900,064 S * 10/2020 Laffon de Mazieres D14/223
 D902,182 S * 11/2020 Wang D14/223
 D902,184 S * 11/2020 Yang D14/223
 10,827,249 B1 * 11/2020 Pine H04R 1/1041
 D903,638 S * 12/2020 Li D14/223
 D908,667 S * 1/2021 He D14/223

D909,995 S * 2/2021 Cai D14/223
 D914,650 S * 3/2021 Hu D14/223
 D917,425 S * 4/2021 Wang D14/223
 D918,181 S * 5/2021 Bailey D14/223
 D918,873 S * 5/2021 Deng D14/223
 D920,288 S * 5/2021 Vautour D14/223
 D920,958 S * 6/2021 Ye D14/223
 D922,985 S * 6/2021 Kataoka D14/223
 D926,159 S * 7/2021 Miyata D14/223
 D927,466 S * 8/2021 Zhang D14/223
 D928,742 S * 8/2021 Liu D14/223
 D929,970 S * 9/2021 Lin D14/223
 D930,620 S * 9/2021 Lindenberger D14/223
 D930,622 S * 9/2021 Lin D14/223
 D939,479 S * 12/2021 Wang D14/223
 D940,107 S * 1/2022 He D14/223
 D940,109 S * 1/2022 Birger D14/223
 2012/0114160 A1 * 5/2012 Lin H04R 1/1091
 381/380
 2017/0264990 A1 * 9/2017 Dragicevic H04R 1/1041
 2017/0366233 A1 * 12/2017 Hviid H04B 5/02
 2018/0060031 A1 * 3/2018 Boesen G10L 15/22
 2019/0069066 A1 * 2/2019 Song H01F 7/02
 2020/0186906 A1 * 6/2020 Birch H04R 1/1041
 2021/0014598 A1 * 1/2021 Pine H04R 1/1025
 2021/0352395 A1 * 11/2021 Wang H04R 1/1016
 2021/0400370 A1 * 12/2021 Pine H04R 1/1025

FOREIGN PATENT DOCUMENTS

CN 305715496 * 4/2020
 EM 008269005-0001 * 11/2020
 EM 008524714-0001 * 5/2021
 EM 008605661-0009 * 7/2021
 EM 008762546-0001 * 11/2021
 GB 9006402434-0001 * 4/2019
 JP D1639772 * 8/2019

* cited by examiner

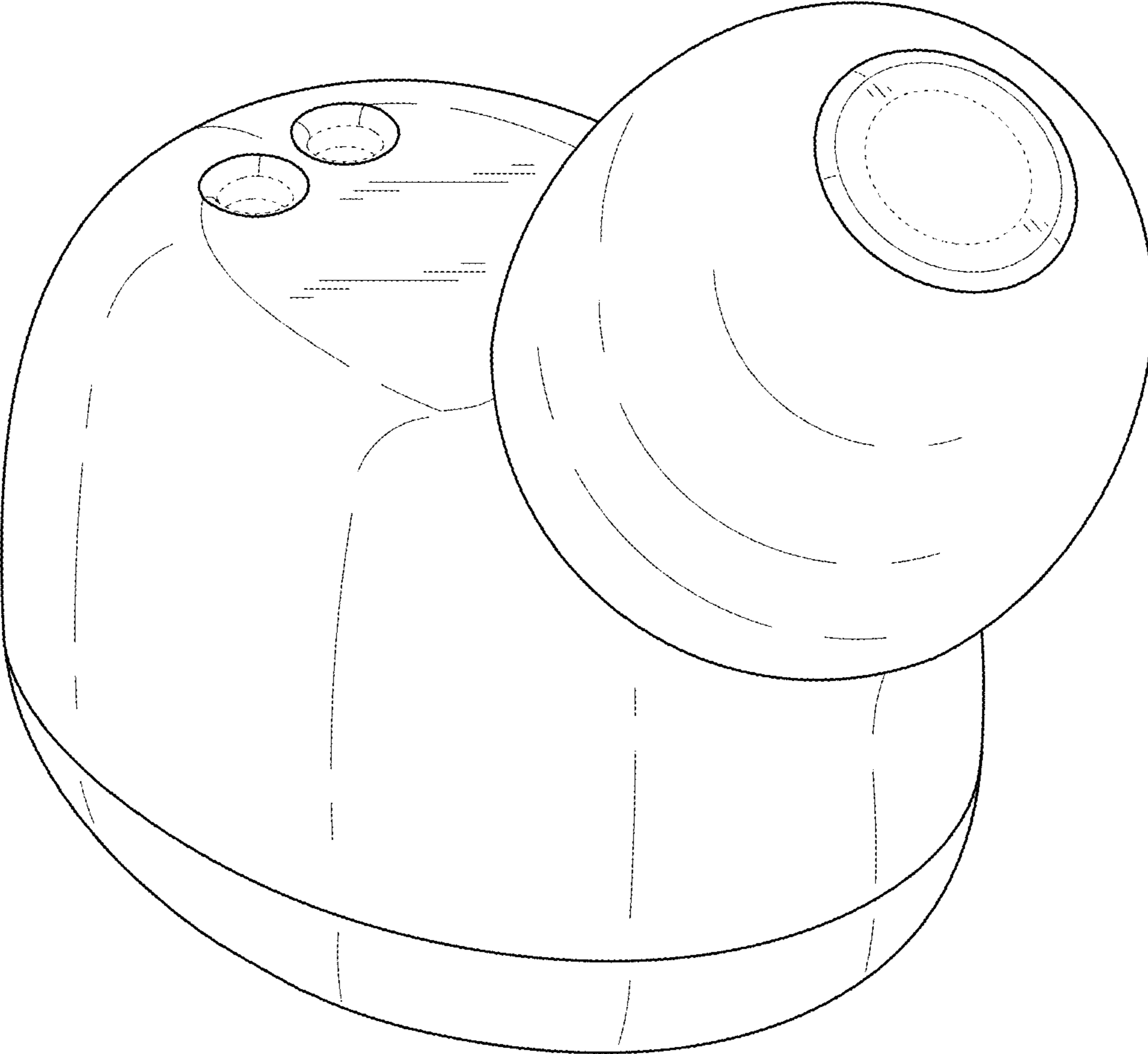


FIG. 1

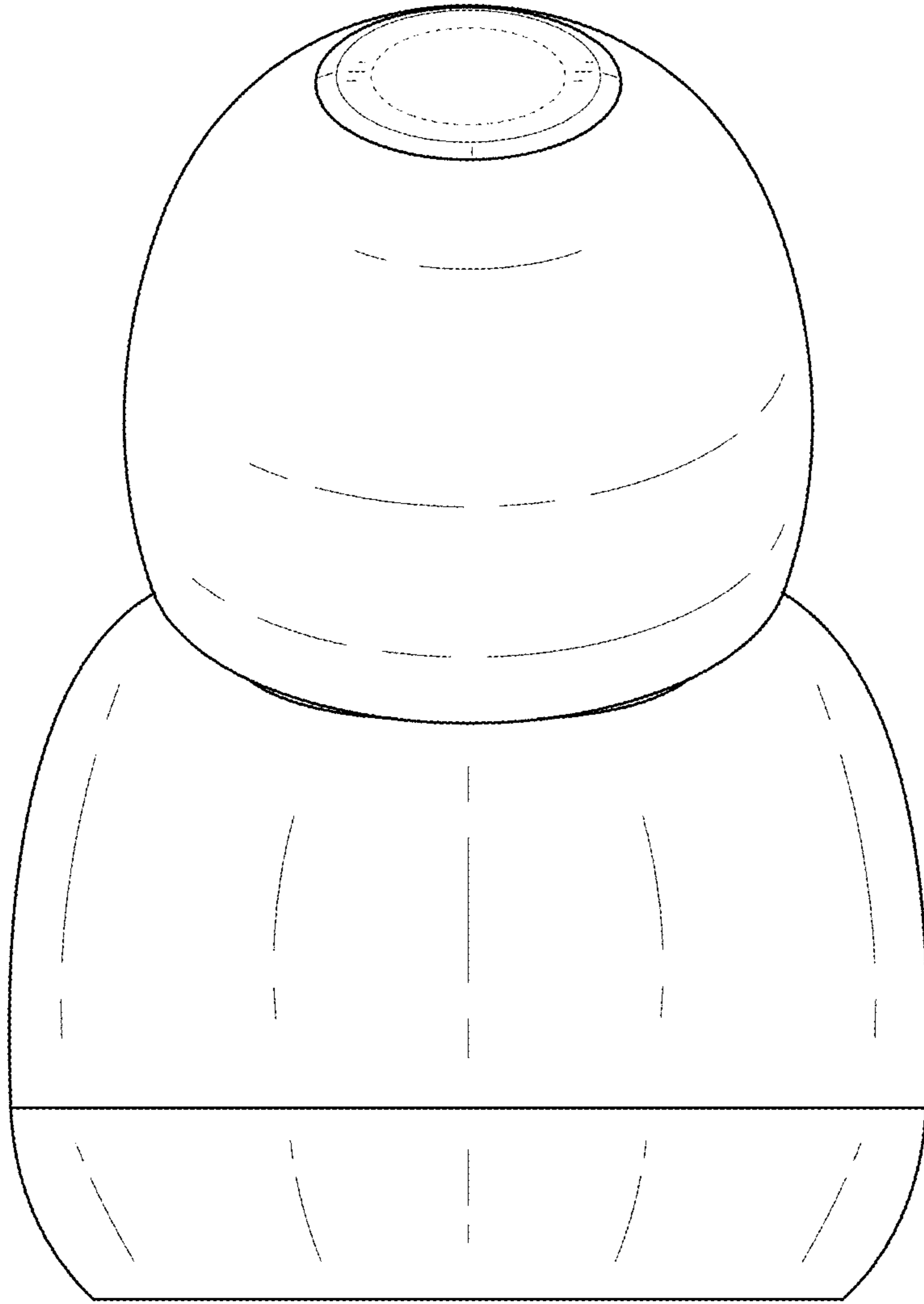


FIG. 2

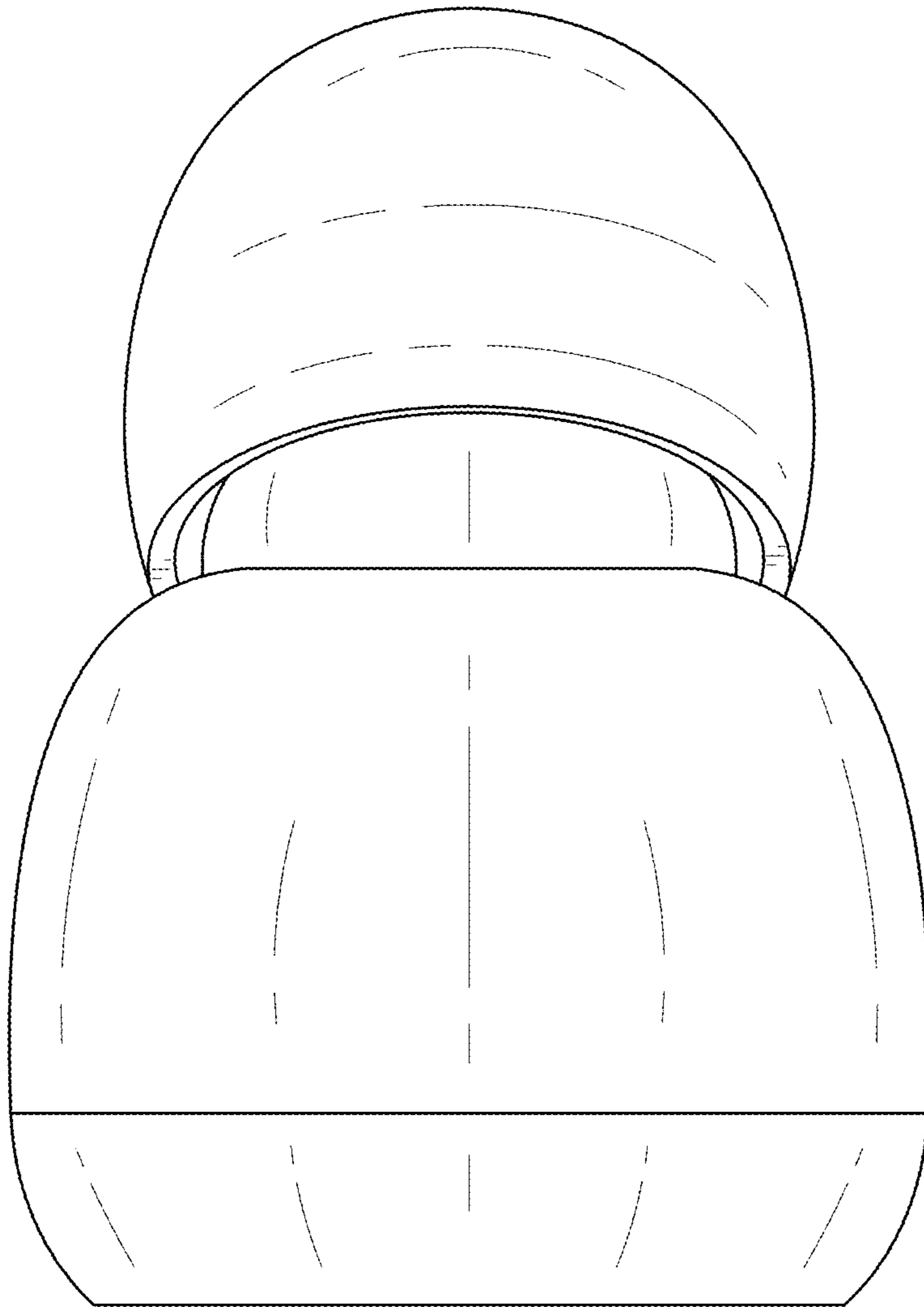


FIG. 3

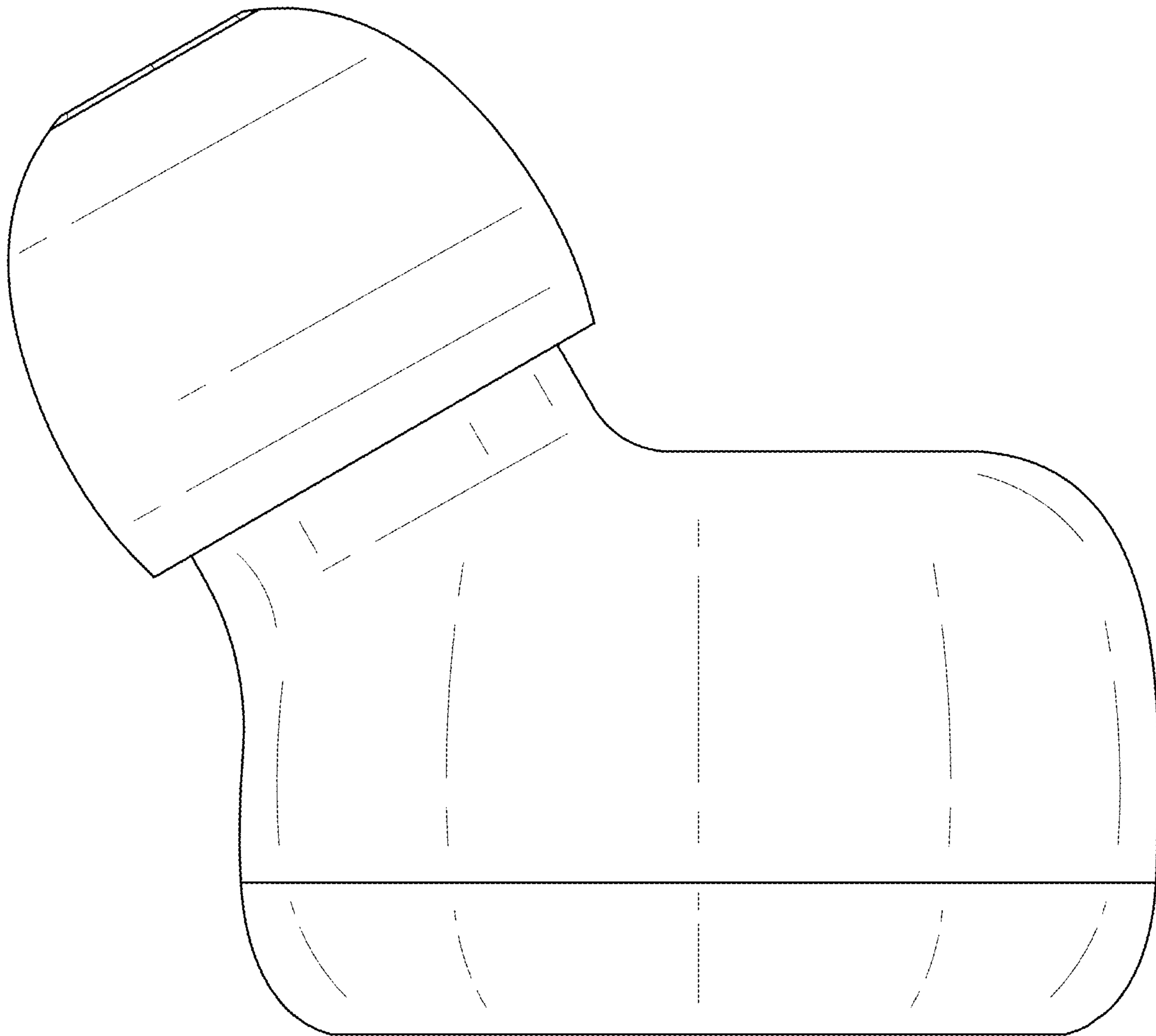


FIG. 4

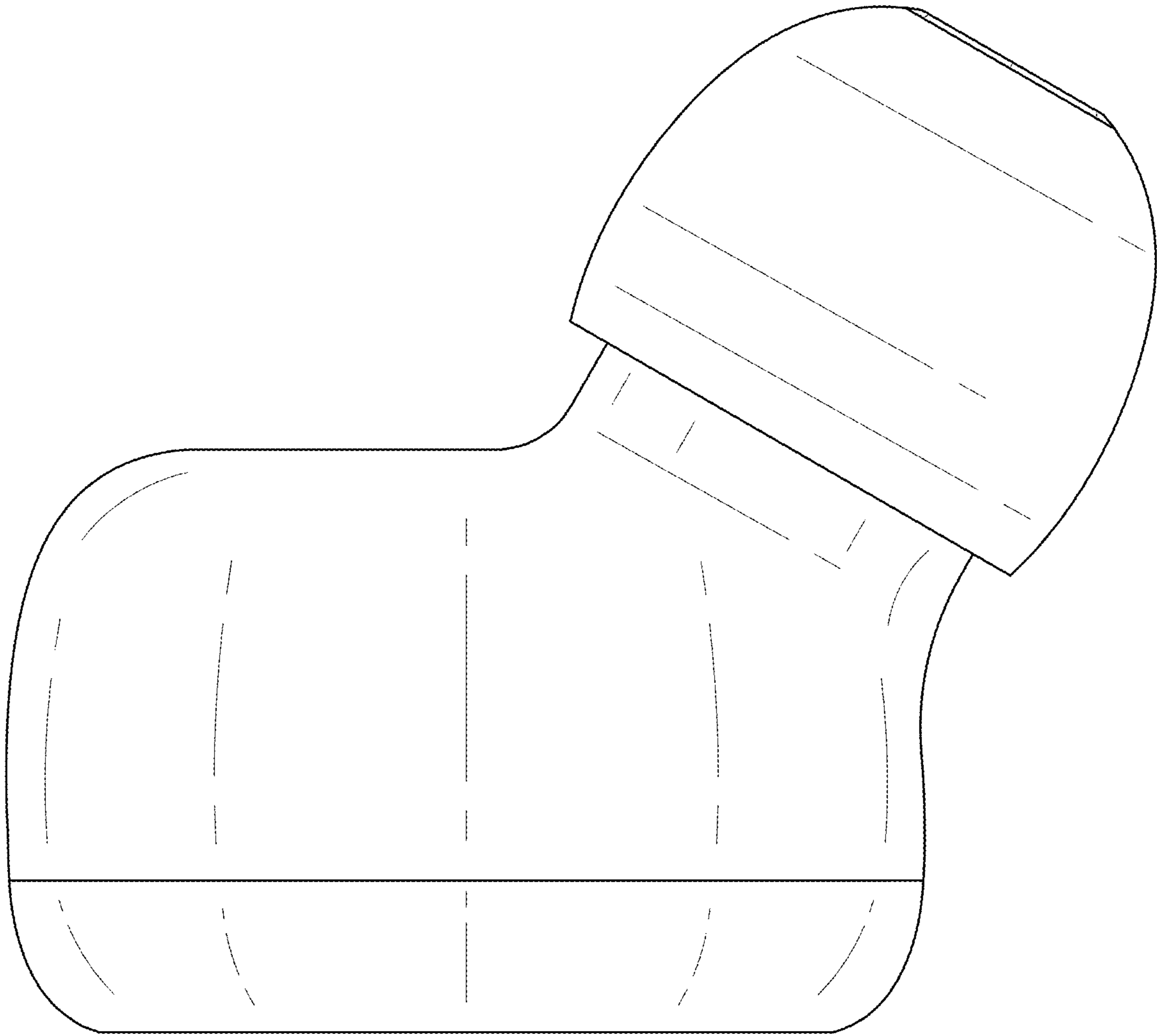


FIG. 5

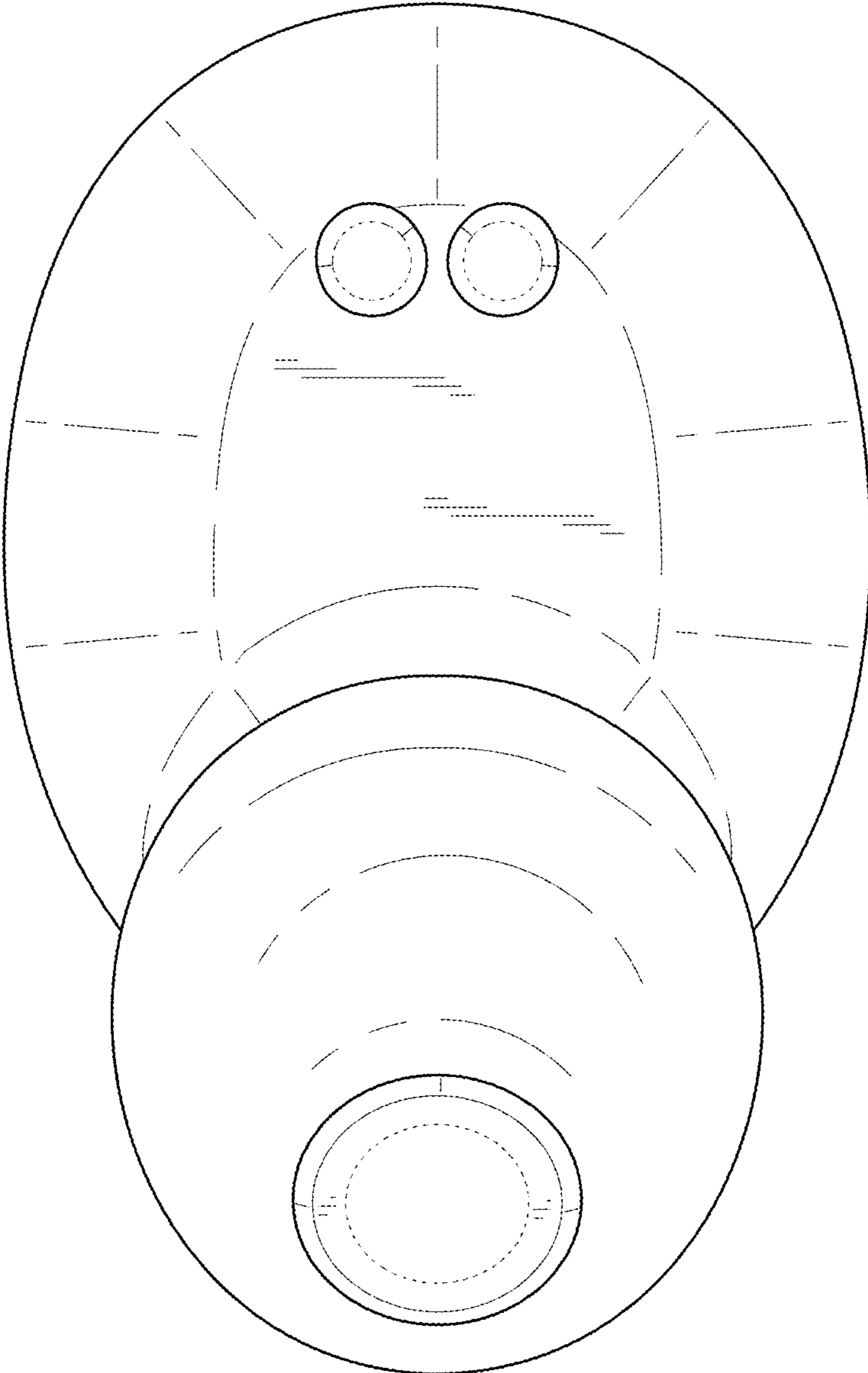


FIG. 6

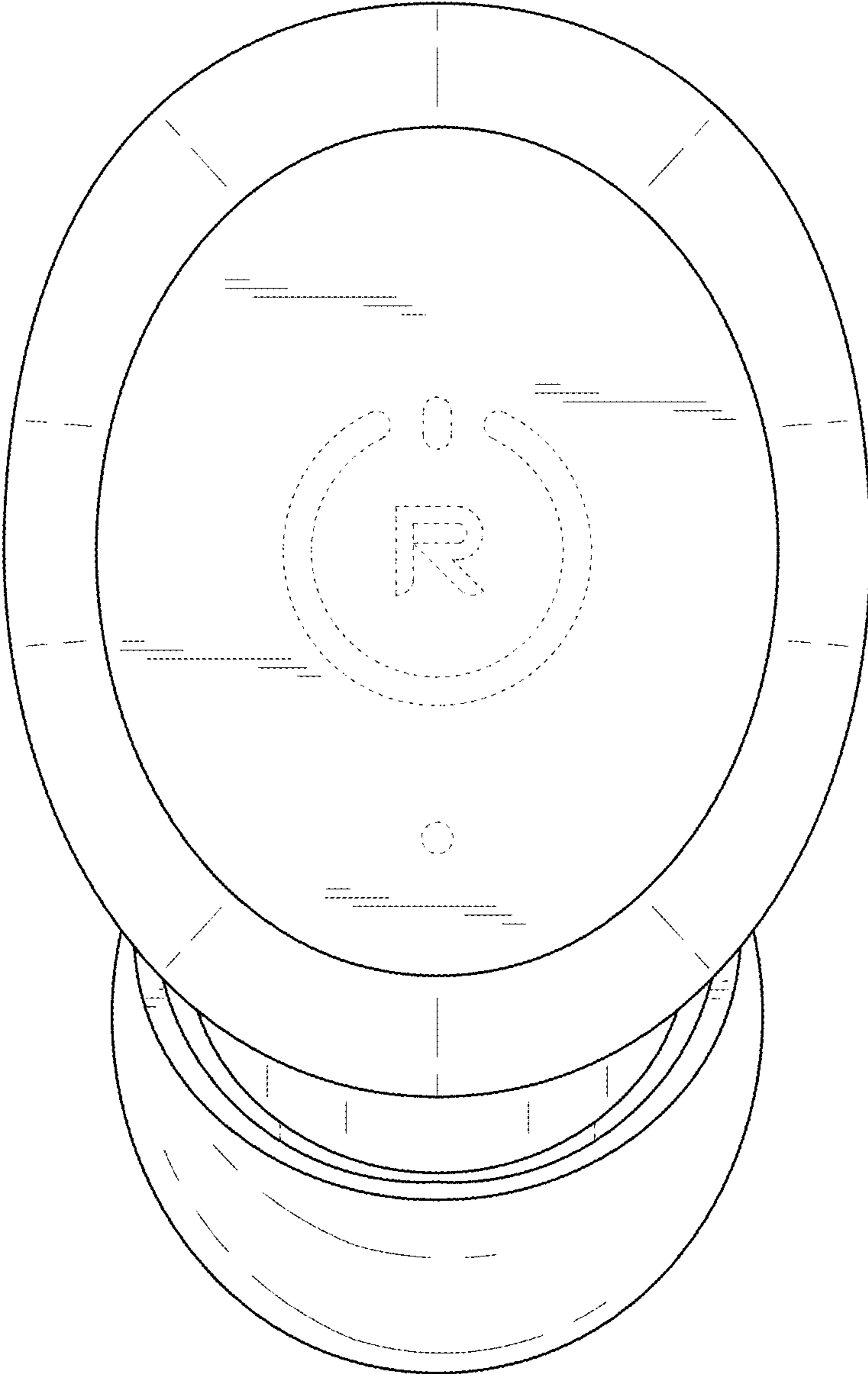


FIG. 7