



US00D963611S

(12) **United States Design Patent**
Behar et al.

(10) **Patent No.:** **US D963,611 S**

(45) **Date of Patent:** **** Sep. 13, 2022**

(54) **EARPHONE**

(71) Applicant: **JAWB Acquisition, LLC**, New York, NY (US)

(72) Inventors: **Yves Behar**, San Francisco, CA (US);
Valentin Sollier, San Francisco, CA (US)

(73) Assignee: **JAWB Acquisition, LLC**, New York, NY (US)

(**) Term: **15 Years**

(21) Appl. No.: **29/733,532**

(22) Filed: **May 4, 2020**

(51) **LOC (13) Cl.** **14-01**

(52) **U.S. Cl.**
USPC **D14/223**

(58) **Field of Classification Search**
USPC D14/223, 205; D24/174; 128/864, 865,
128/866; 381/380, 381, 322, 325, 338;
455/90.3, 575.1, 569.1
CPC H04R 1/10; H04R 25/00; H04R 1/1016;
H04R 1/1066; H04R 5/033; H04R
5/0335; H04R 1/1058; H04R 1/1091
See application file for complete search history.

(56) **References Cited**

U.S. PATENT DOCUMENTS

- 6,574,345 B1 * 6/2003 Huang H04R 1/1016
379/430
- D540,313 S 4/2007 Rausch et al.
- D554,109 S * 10/2007 Ledbetter D14/223
- D555,152 S * 11/2007 Wang D14/223
- D556,741 S * 12/2007 Yeo D14/205
- 7,349,550 B2 * 3/2008 Oliveira H04R 1/1058
381/380
- D572,242 S * 7/2008 Yang D14/205
- D573,977 S * 7/2008 Ledbetter D14/205
- D575,269 S * 8/2008 Ledbetter D14/205

- D578,518 S * 10/2008 Ewert D14/223
- D590,371 S * 4/2009 Leinvuo D14/205
- D593,537 S * 6/2009 Arimoto D14/205
- D618,219 S 6/2010 Burgett et al.
- D627,766 S * 11/2010 Arimoto D14/223
- D633,086 S * 2/2011 Chen D14/223
- D641,738 S * 7/2011 Perez D14/223

(Continued)

FOREIGN PATENT DOCUMENTS

EM 008641583-0001 * 8/2021

OTHER PUBLICATIONS

FUNCL AI Wireless Smart Headphones, Low Latency (60 ms) / aptX Premium Sound Quality / 24-Hour Battery Life Wireless Stereo / Automatic Pairing / IPX5 Waterproof, downloaded from the internet on Nov. 20, 2019 from funcl.com/product/detail?model=H18E.

(Continued)

Primary Examiner — Paula Allen Greene
(74) *Attorney, Agent, or Firm* — Myers Wolin, LLC

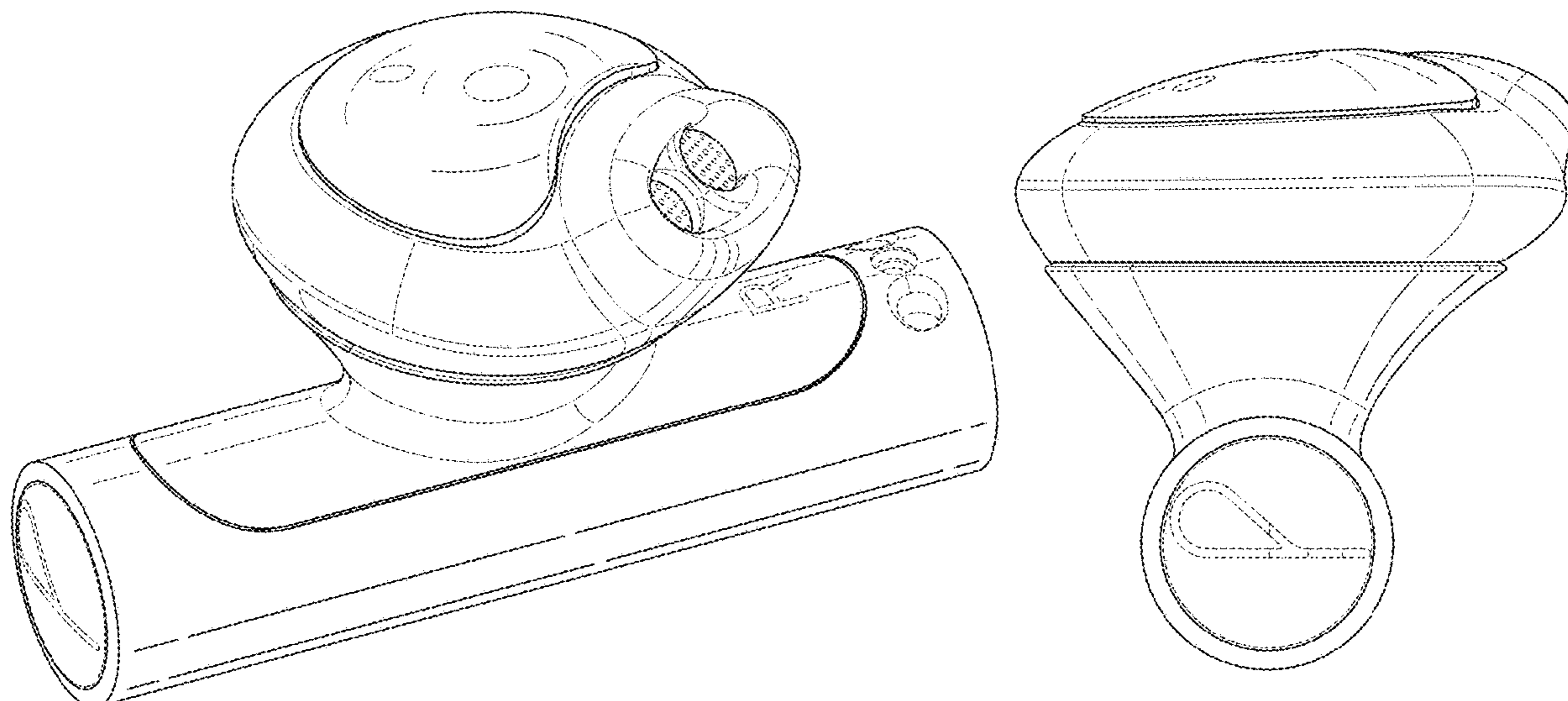
(57) **CLAIM**

The ornamental design for an earphone, as shown and described.

DESCRIPTION

FIG. 1 is a perspective view of an earphone showing our new design;
FIG. 2 is a front elevation view thereof;
FIG. 3 is a rear elevation view thereof;
FIG. 4 is a left side elevation thereof
FIG. 5 is a right side elevation view thereof;
FIG. 6 is a top view thereof; and,
FIG. 7 is a bottom view thereof.
The dotted lines illustrate portions of the earphone that form no part of the claimed design.

1 Claim, 4 Drawing Sheets



(56)

References Cited

U.S. PATENT DOCUMENTS

- 8,032,191 B2 * 10/2011 Yang H04R 31/006
455/575.2
- D652,823 S * 1/2012 Chen H04R 1/1016
D14/223
- D657,780 S * 4/2012 Dahlberg D14/223
- D660,292 S * 5/2012 Rautiainen D14/223
- D662,493 S * 6/2012 Chen D14/223
- D664,523 S * 7/2012 Naitou D14/223
- 8,213,668 B2 * 7/2012 Tsao H04R 1/1016
381/380
- D666,581 S * 9/2012 Perez D14/223
- D671,530 S 11/2012 Yang
- D671,531 S * 11/2012 Kim D14/223
- 8,391,536 B2 * 3/2013 Hashimoto H04R 1/1016
381/380
- D681,015 S * 4/2013 Akana H04R 1/1016
D14/223
- 8,594,359 B2 * 11/2013 Takei H04R 1/1016
381/380
- D695,721 S * 12/2013 Thompson D14/223
- D707,206 S * 6/2014 Akana H04R 1/1016
D14/223
- D711,857 S * 8/2014 Burgett D14/223
- D718,284 S * 11/2014 Shibusawa D14/223
- D718,744 S * 12/2014 Thompson D14/223
- 8,965,031 B2 * 2/2015 Shinyama H04R 1/1016
381/380
- D726,694 S 4/2015 Behar et al.
- D730,876 S * 6/2015 Dahlberg D14/223
- D732,008 S * 6/2015 Akana H04R 1/10
D14/223
- D733,101 S * 6/2015 Pi D14/223
- D736,185 S 8/2015 Yaegashi et al.
- D738,863 S * 9/2015 Laffon de Mazieres D14/223
- D738,864 S * 9/2015 Lee D14/223
- D741,287 S * 10/2015 Harata D14/205
- D752,542 S 3/2016 Lamar
- D755,759 S 5/2016 Cai
- D757,682 S * 5/2016 Perez D14/205
- D760,202 S * 6/2016 Hsieh D14/223
- D762,623 S 8/2016 Gondo
- D770,412 S * 11/2016 Son D14/205
- D773,441 S 12/2016 Pedersen
- D780,155 S * 2/2017 Levine D14/205
- D784,962 S * 4/2017 Yang D14/223
- D794,613 S 8/2017 Hayden
- D798,844 S * 10/2017 Nokuo D14/223
- D800,090 S 10/2017 Ahn et al.
- D801,314 S * 10/2017 Akana D14/223
- D809,477 S * 2/2018 Brunner H04S 1/005
D14/205
- D823,246 S * 7/2018 Lin D13/108
- D824,876 S 8/2018 Wei et al.
- D830,336 S * 10/2018 Cai D14/205
- D830,345 S 10/2018 Cai
- D840,979 S 2/2019 Morris et al.
- D841,580 S * 2/2019 Bao D13/108
- D841,581 S * 2/2019 Bonahoom D13/108
- D846,264 S * 4/2019 Wu D3/201
- D847,125 S * 4/2019 Akana D14/223
- D847,794 S * 5/2019 Guo D14/223
- D848,979 S * 5/2019 Kim D14/223
- D848,980 S 5/2019 Kim et al.
- D848,982 S * 5/2019 Kim D14/223
- D848,983 S * 5/2019 Kim D14/223
- D849,401 S * 5/2019 Akana D3/274
- D853,116 S * 7/2019 Bergman D3/294
- D853,995 S 7/2019 Cai
- D860,976 S 9/2019 Zhang et al.
- D861,647 S * 10/2019 Chen D14/223
- D863,266 S * 10/2019 Kim D14/223
- D864,168 S * 10/2019 Min D14/223
- D864,919 S * 10/2019 Bonahoom D14/223
- D865,720 S 11/2019 Deng et al.
- D867,325 S 11/2019 Akana et al.
- D869,445 S * 12/2019 Hu D14/223
- D878,336 S * 3/2020 Shiwaku D14/223
- D882,553 S * 4/2020 Wu D14/223
- D883,960 S * 5/2020 Du D14/223
- D885,373 S * 5/2020 Lundback D14/223
- D888,691 S * 6/2020 Liu D14/223
- D889,439 S * 7/2020 Hsieh D14/223
- D890,138 S * 7/2020 Peng D14/223
- D894,875 S * 9/2020 Zhao D14/223
- D925,500 S * 7/2021 Chen D14/223
- D936,637 S * 11/2021 Lai D14/223
- D937,246 S * 11/2021 Li D14/223
- 2011/0142276 A1 * 6/2011 Uchida H04R 1/1075
381/370
- 2011/0317864 A1 * 12/2011 Kaneko H04R 1/1066
381/380
- 2013/0170692 A1 * 7/2013 Kaneko H04R 1/1033
381/380
- 2013/0188819 A1 * 7/2013 Young-Mun H04R 1/1016
381/380
- 2014/0270315 A1 9/2014 Burgett et al.
- 2017/0048604 A1 * 2/2017 Hankey H04R 1/1041
- 2019/0327550 A1 10/2019 Lindén et al.
- 2021/0266653 A1 * 8/2021 Cao H04R 9/06

OTHER PUBLICATIONS

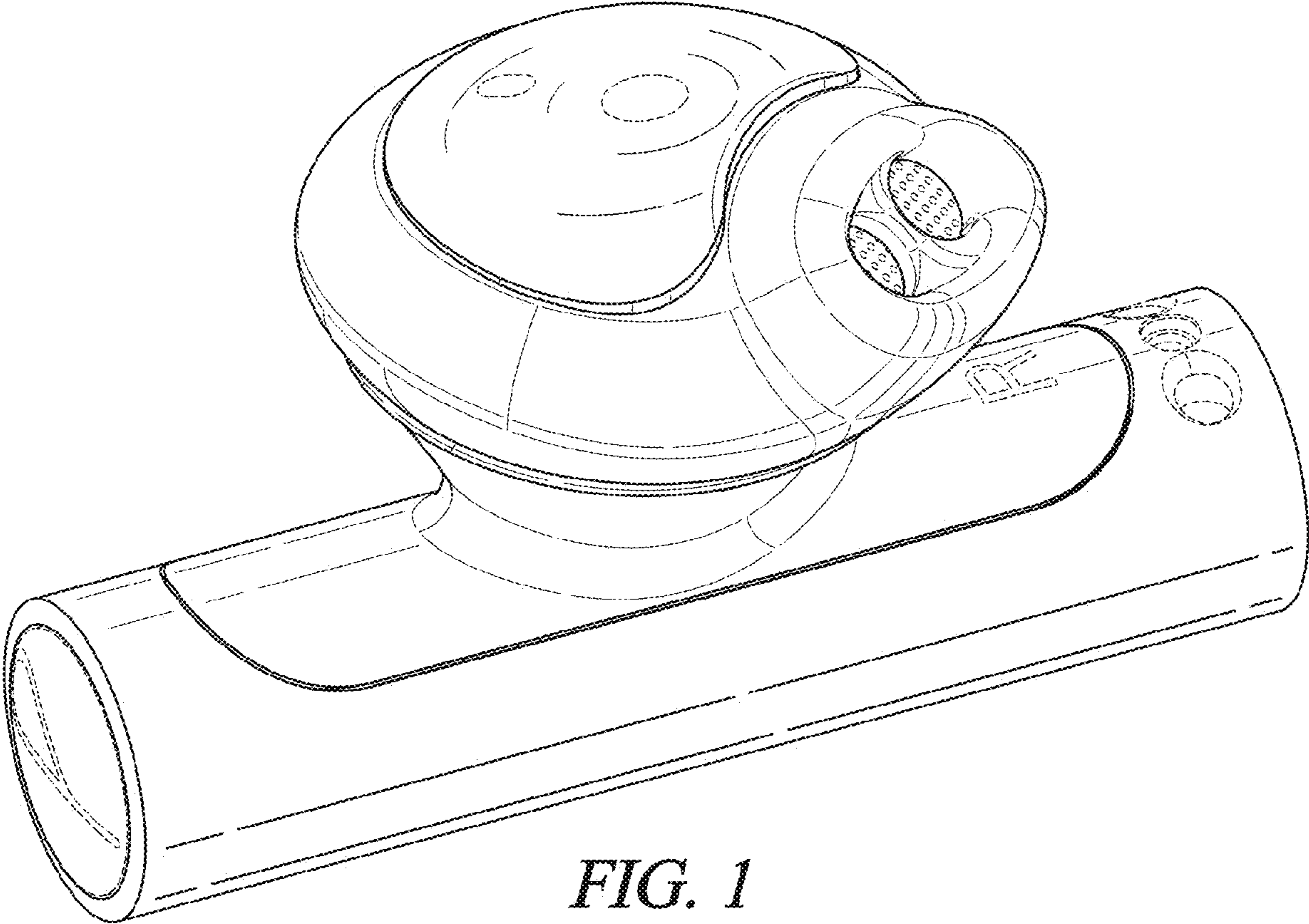
LeManoosh earbud, downloaded from the internet on Nov. 20, 2019 from lemanoosh.com/publication/72522/.

TicPods Free, In-Ear Detection, Intuitive Touch Controls, Voice Assistant Support, Ergonomic Fit, Noise Isolation, 18-Hour Battery Life*, Fast-Charging, IPX5 Water Resistant, downloaded from the internet on Nov. 20, 2019 from mobvoi.com/us/pages/ticpodsfree.

TWS True Wireless Mini Sports Waterproof Handsfree Mobile Magnetic Stereo in Ear Bluetooth Earbud Headphone Headset Earphone, downloaded from the internet on Nov. 20, 2019 from DHGate.com.

Urbanista "Stockholm" Wireless Earphones. Key Features: 3.5H Battery Life, Touch Control, Handsfree, Case Charge, True Wireless, In Ear, Voice Control, Bluetooth, IOS & Android, downloaded from the internet on Nov. 20, 2019 from urbanista.com/uk/stockholm.

* cited by examiner



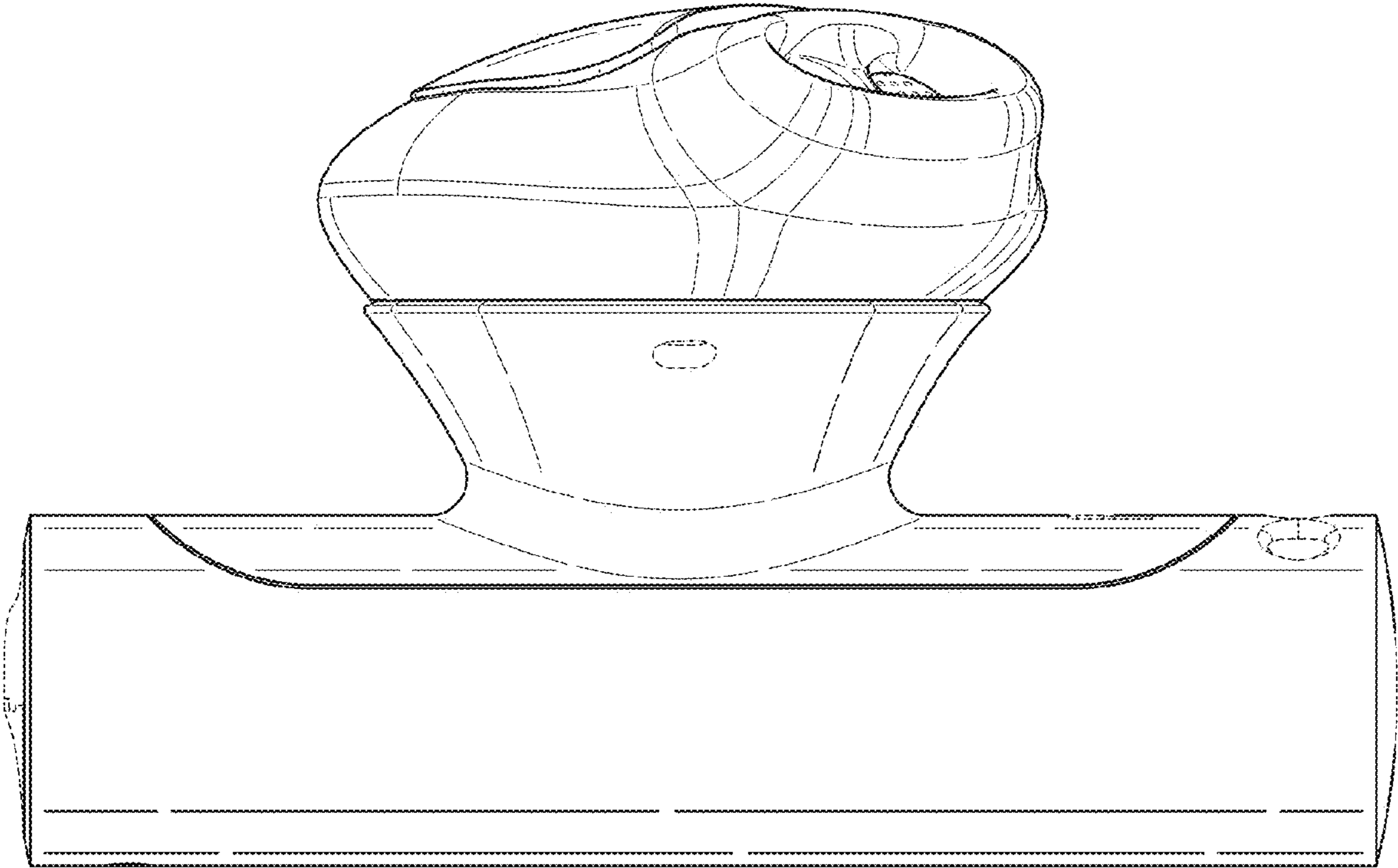


FIG. 2

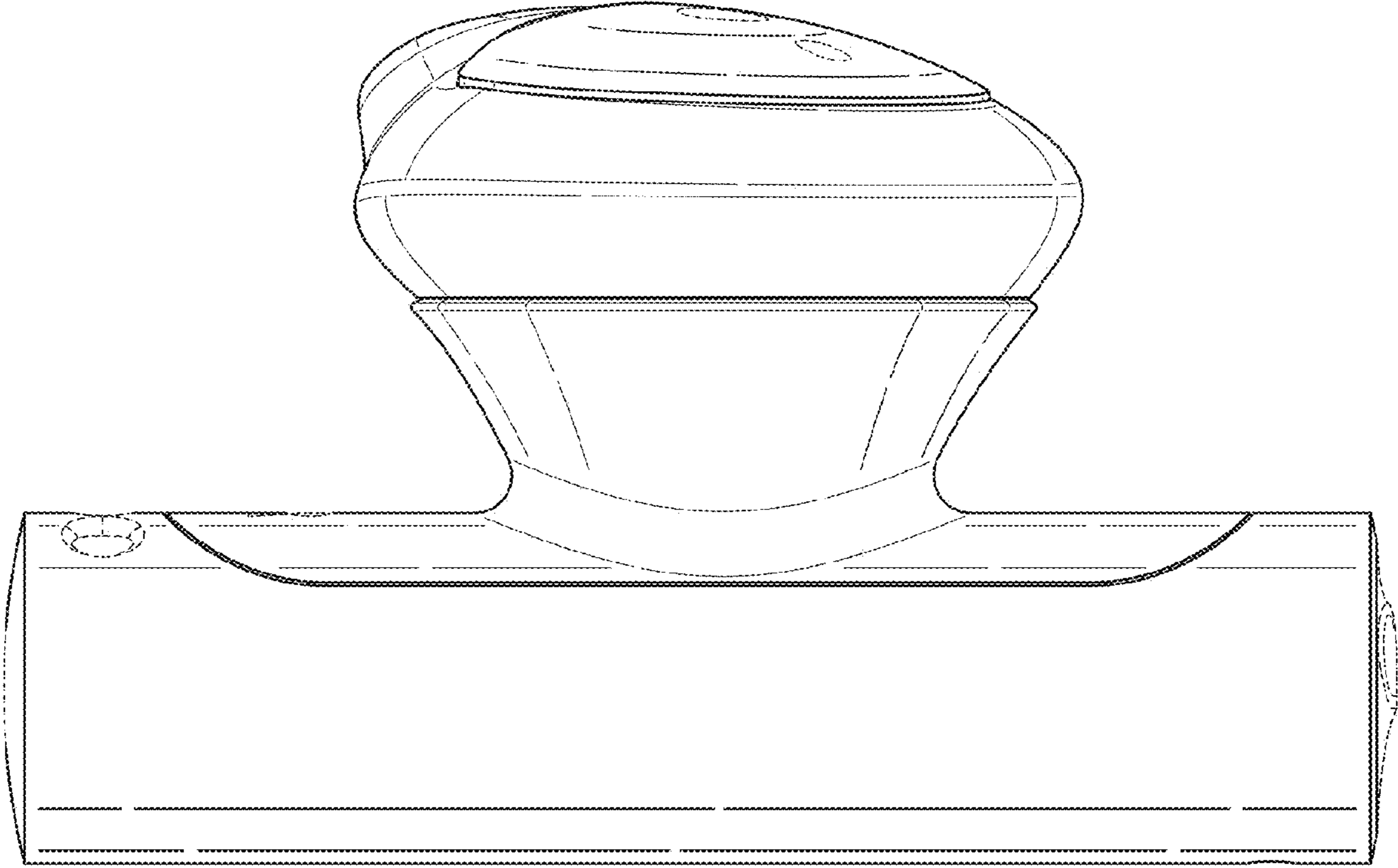


FIG. 3

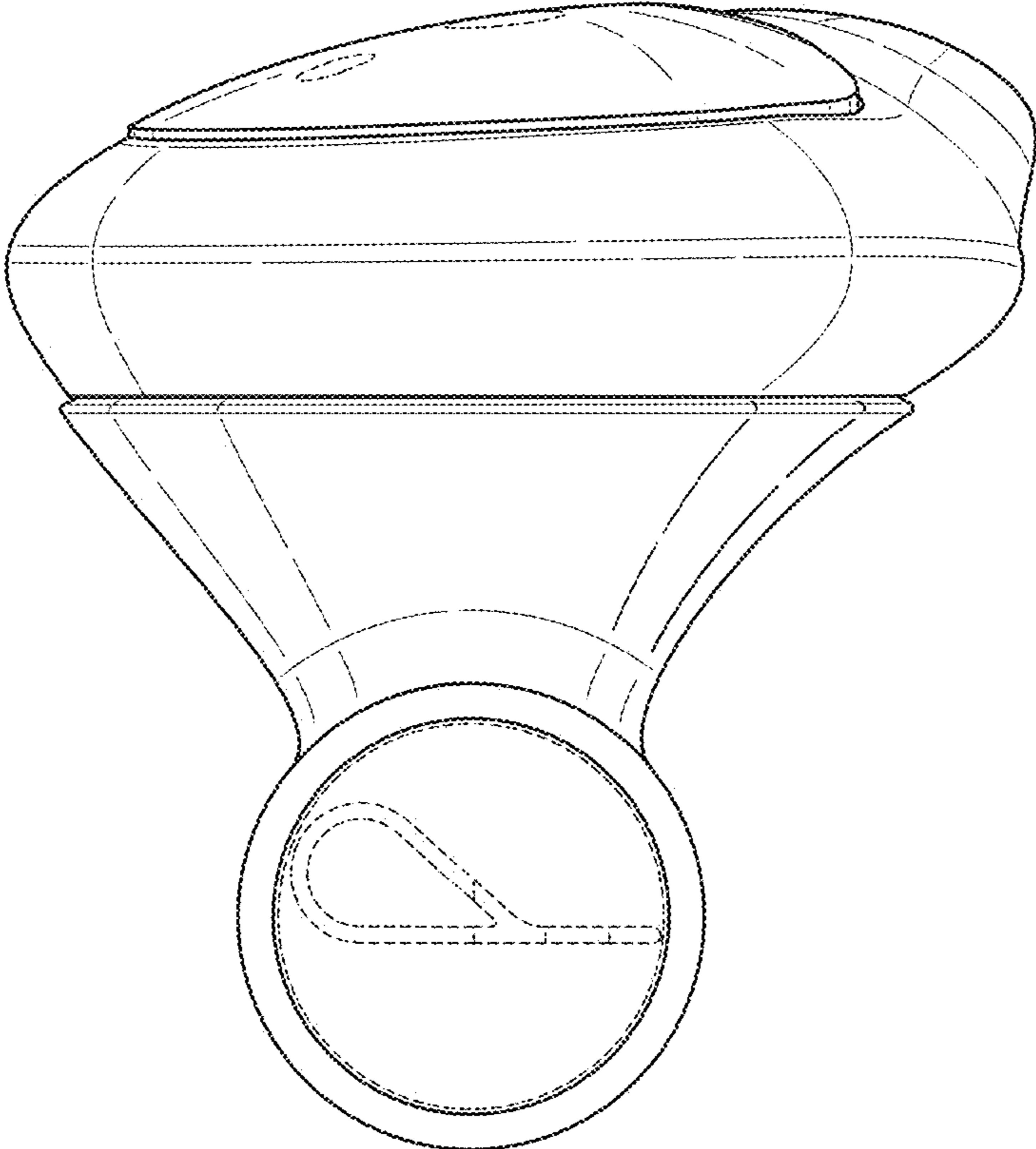


FIG. 4

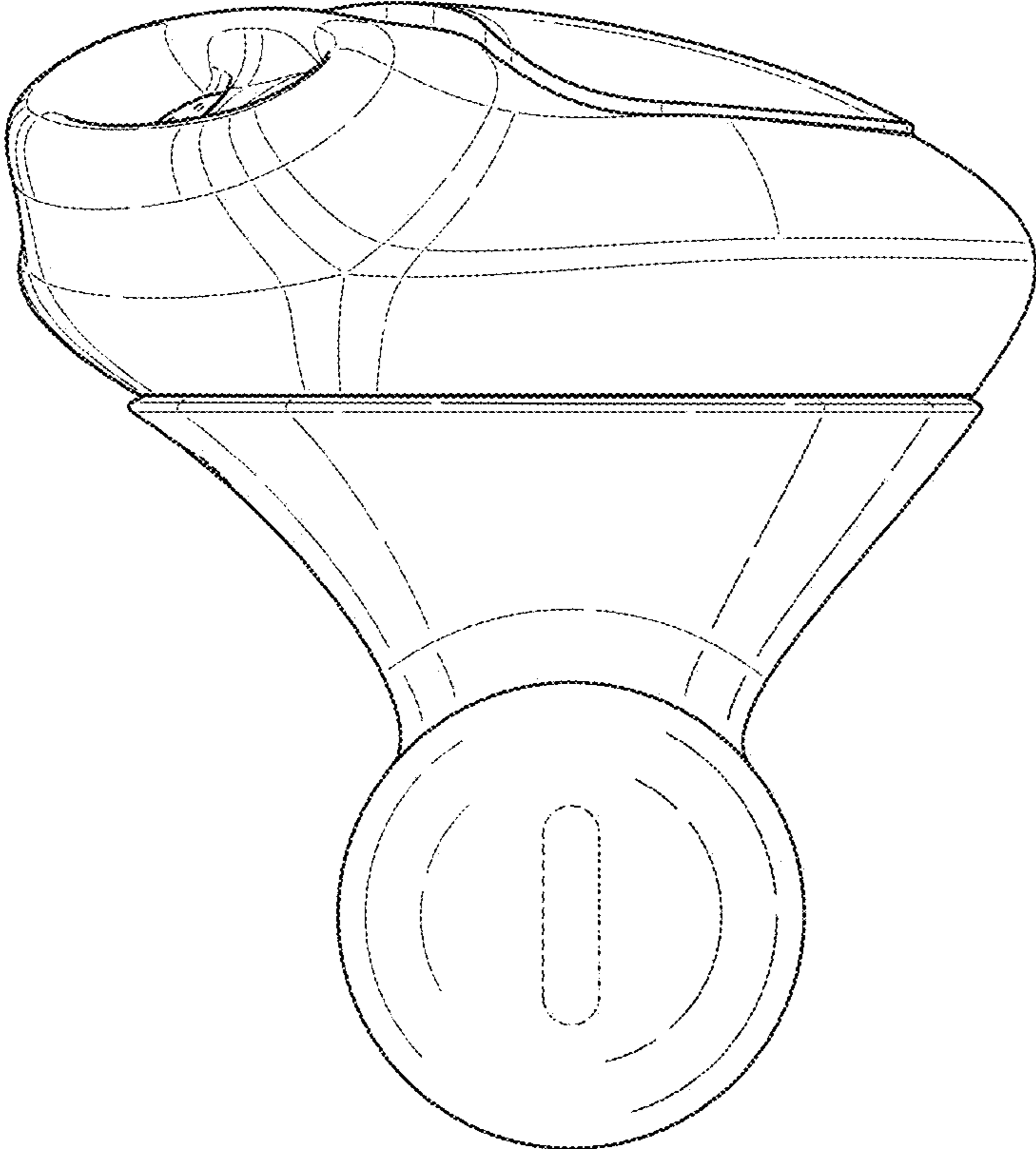


FIG. 5

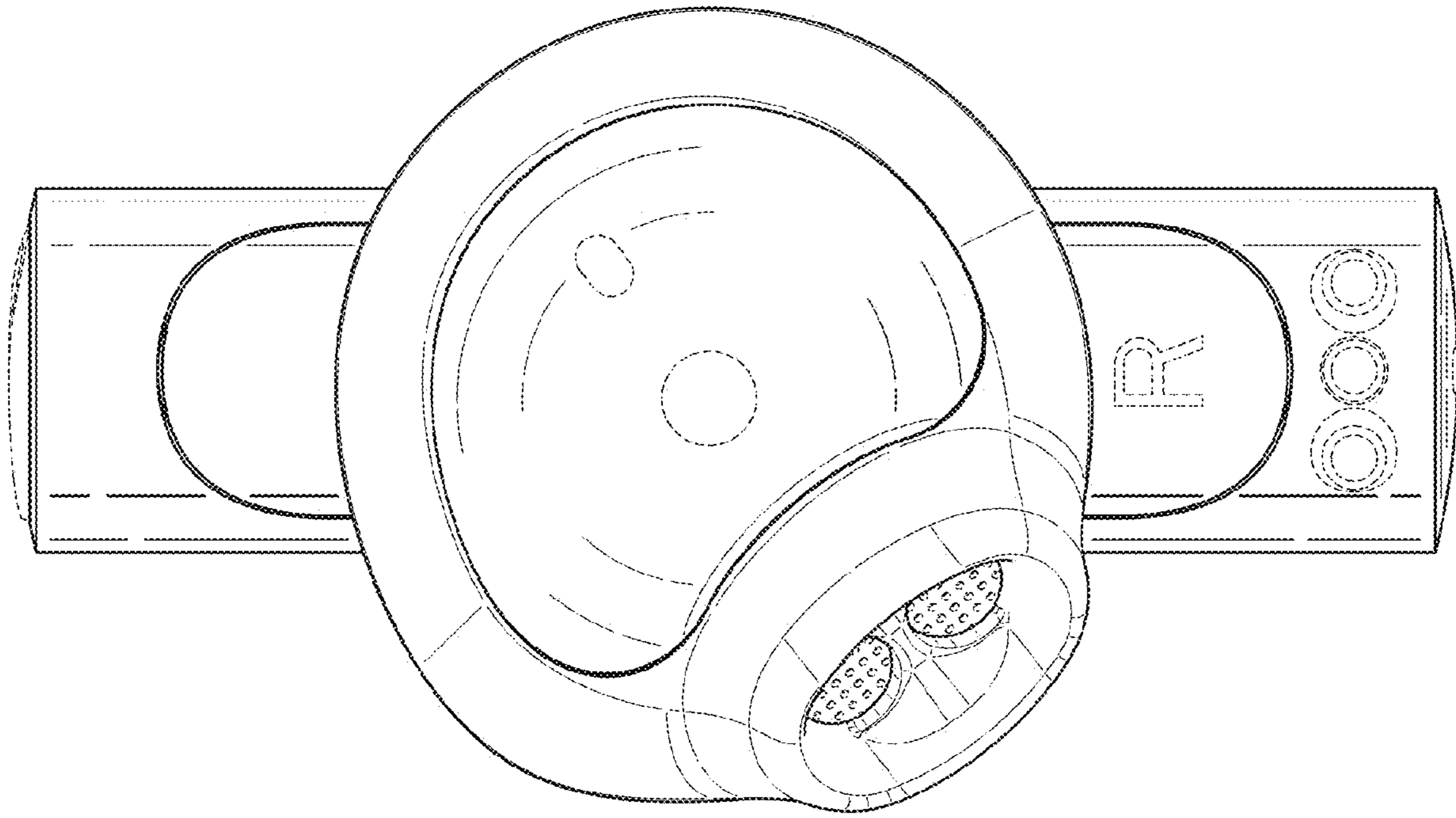


FIG. 6

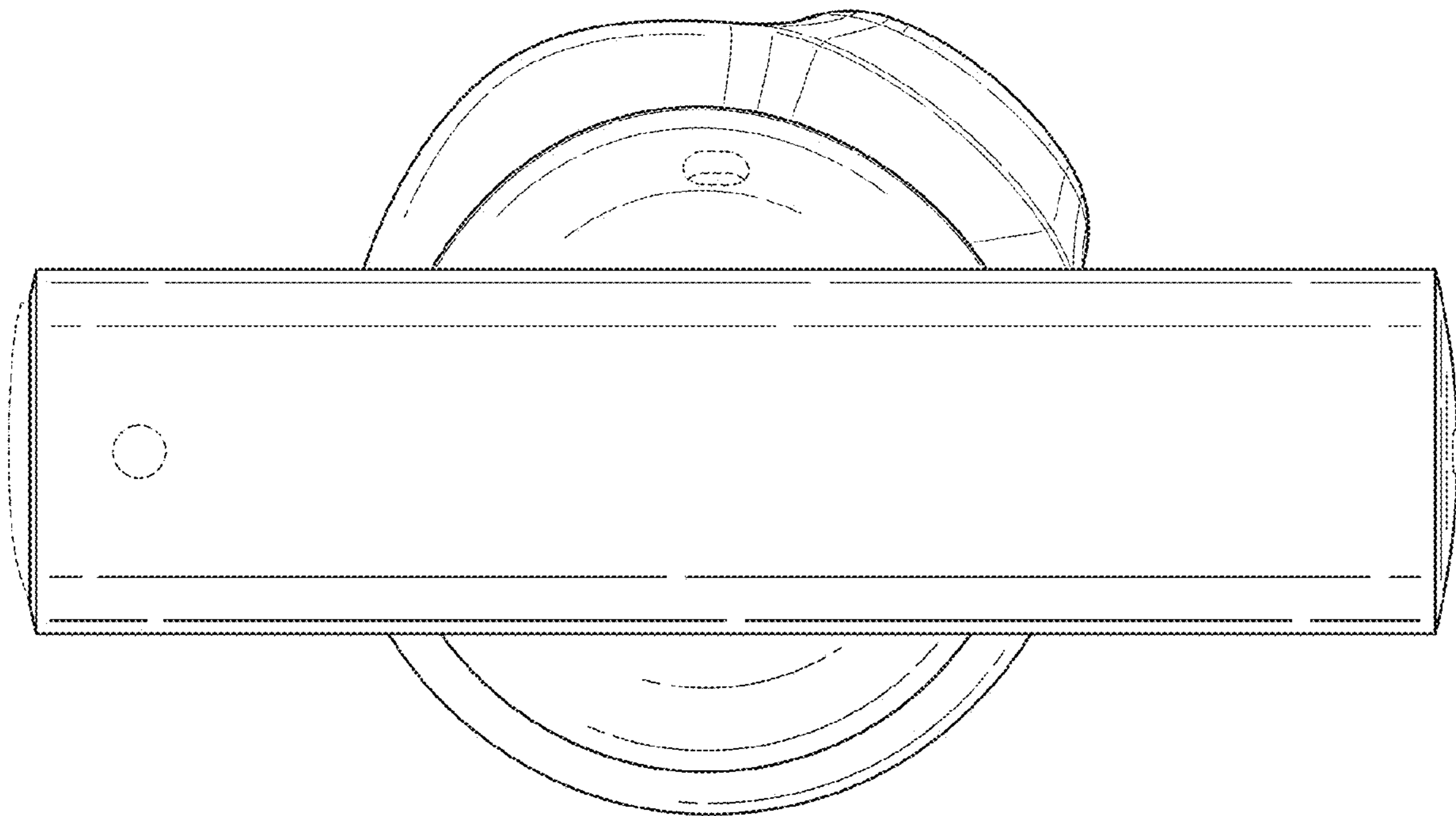


FIG. 7