



US00D963607S

(12) **United States Design Patent**
Wu et al.

(10) **Patent No.:** **US D963,607 S**

(45) **Date of Patent:** **** Sep. 13, 2022**

(54) **AUDIO EARPIECE**

(71) Applicant: **Logitech Europe S.A.**, Lausanne (CH)

(72) Inventors: **Cheng Hann Wu**, Taipei (TW);
Ricardo Filipe Figueiroa Monteiro,
San Francisco, CA (US); **Jeremy**
Saxton, Draper, UT (US)

(73) Assignee: **Logitech Europe S.A.**, Lausanne (CH)

(**) Term: **15 Years**

(21) Appl. No.: **29/777,639**

(22) Filed: **Apr. 7, 2021**

(51) **LOC (13) Cl.** **14-01**

(52) **U.S. Cl.**
USPC **D14/205**

(58) **Field of Classification Search**
USPC D14/205, 223; D24/174; 128/864-866;
381/380, 381, 370, 322, 328
CPC H04R 25/00; H04R 1/1016; H04R 1/1066;
H04R 5/033; H04R 5/0335; H04R 1/105;
H04R 1/1033; H04R 1/1058; G06F 3/01
See application file for complete search history.

(56) **References Cited**

U.S. PATENT DOCUMENTS

2,501,107	A *	3/1950	Volkman	H04R 5/0335
					381/374
6,084,976	A *	7/2000	Lin	H04R 1/1016
					181/129
D531,169	S *	10/2006	Tokioka	D14/223
D569,841	S *	5/2008	Chung	D14/205
D576,154	S *	9/2008	Ledbetter	D14/223
D578,507	S *	10/2008	Ando	D14/223
D587,681	S *	3/2009	Yanai	D14/205
D594,441	S *	6/2009	Lee	D14/205
D599,778	S *	9/2009	Ando	D14/205
D600,675	S *	9/2009	Lee	D14/205

D606,971	S *	12/2009	Christopher	D14/205
D618,168	S *	6/2010	Baxter	D13/107
D621,389	S *	8/2010	Nagayama	D14/223
D623,630	S *	9/2010	Ohori	D14/223
D643,416	S *	8/2011	Chong	D14/223
D654,056	S *	2/2012	Hoggarth	D14/223
D666,581	S *	9/2012	Perez	D14/223
8,391,536	B2 *	3/2013	Hashimoto	H04R 1/1016
					381/370
D680,102	S *	4/2013	Chen	D14/223
D681,001	S *	4/2013	Murchison	D14/205

(Continued)

FOREIGN PATENT DOCUMENTS

CN	306831907	*	9/2021
CN	306839709	*	9/2021

(Continued)

Primary Examiner — Paula Allen Greene

(74) *Attorney, Agent, or Firm* — Kilpatrick Townsend & Stockton LLP

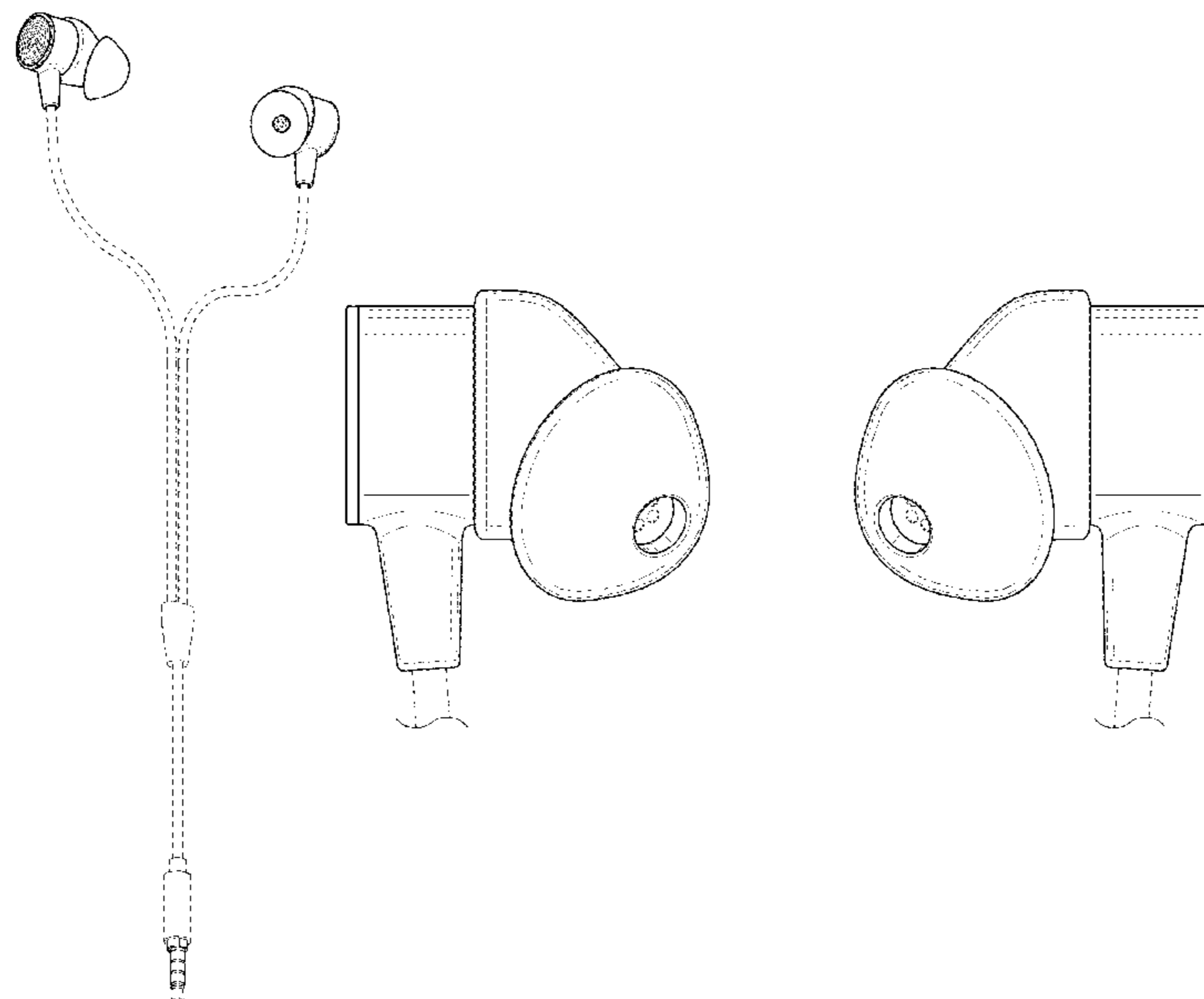
(57) **CLAIM**

The ornamental design for audio earpiece, as shown and described.

DESCRIPTION

FIG. 1 is a front perspective view of an audio earpiece showing my new design;
FIG. 2 is close up perspective view thereof;
FIG. 3 is a top plan view thereof;
FIG. 4 is a bottom plan view thereof;
FIG. 5 is a front elevation view thereof;
FIG. 6 is a rear elevation view thereof;
FIG. 7 is a left side elevation view thereof; and,
FIG. 8 is a right side elevation view thereof.
The broken lines depict portions of the audio earpiece in which the design is embodied that form no part of the claimed design.

1 Claim, 8 Drawing Sheets



(56)

References Cited

U.S. PATENT DOCUMENTS

8,447,062 B2 * 5/2013 Lin H04R 1/10
 381/384
 D685,764 S * 7/2013 Coulter D14/205
 D699,226 S * 2/2014 Yoon D14/206
 8,655,006 B2 * 2/2014 Aase B29C 39/42
 381/384
 D712,371 S * 9/2014 Henning D14/205
 D718,286 S * 11/2014 Yang D14/223
 D718,744 S * 12/2014 Thompson D14/223
 D718,745 S * 12/2014 Thompson D14/223
 D719,548 S * 12/2014 Thompson D14/223
 8,983,108 B2 * 3/2015 Ho H04R 1/1058
 381/328
 D726,145 S * 4/2015 Hsieh D14/205
 D727,871 S * 4/2015 Orbach D14/205
 D737,251 S * 8/2015 Thompson D14/223
 D746,792 S * 1/2016 Kim D14/223
 D764,436 S * 8/2016 Dryden D14/205
 D773,435 S * 12/2016 Ott D14/223
 D776,083 S * 1/2017 Lee D14/205
 D777,138 S * 1/2017 Fletcher D14/205
 D777,139 S * 1/2017 Fletcher D14/205
 D782,997 S * 4/2017 Shin D14/205
 D782,998 S * 4/2017 Shin D14/205
 D803,185 S * 11/2017 Loh Jun Kern D14/223
 D813,196 S * 3/2018 Yang D14/205
 D822,009 S * 7/2018 Matoba D14/223
 D824,875 S * 8/2018 Czaniecki D14/223
 D868,729 S * 12/2019 Czaniecki D14/223
 D875,070 S * 2/2020 Carr D14/205
 D879,067 S * 3/2020 Hu D14/223
 D888,692 S * 6/2020 Cheng D14/206

D904,349 S * 12/2020 Saxton D14/223
 D918,874 S * 5/2021 Sugiura D14/223
 D947,817 S * 4/2022 Nakamura D14/223
 D948,483 S * 4/2022 Yoneyama D14/223
 2011/0176700 A1 * 7/2011 Hashimoto H04R 1/1016
 381/380
 2011/0249856 A1 * 10/2011 Takei H04R 1/1016
 381/380
 2012/0170789 A1 * 7/2012 Lin H04R 1/1033
 381/384
 2012/0243726 A1 * 9/2012 Hosoo H04R 1/1016
 381/380
 2013/0058516 A1 * 3/2013 Sullivan H04R 1/1033
 185/37
 2013/0170692 A1 * 7/2013 Kaneko H04R 1/1033
 381/380
 2016/0073186 A1 * 3/2016 Searl H04R 1/105
 381/380
 2017/0134845 A1 * 5/2017 Milam H04R 1/1058
 2017/0295421 A1 * 10/2017 Hung H04R 1/1033
 2021/0152921 A1 * 5/2021 Silva H04R 1/1058
 2021/0297766 A1 * 9/2021 Bai H04R 1/1091
 2021/0306729 A1 * 9/2021 Lu H04R 1/1075

FOREIGN PATENT DOCUMENTS

EM 007307301-0001 * 11/2019
 EM 007763230-0001 * 3/2020
 EM 008662100-0001 * 8/2021
 EM 008841753-0001 * 1/2022
 EM 008928691-0001 * 4/2022
 GB 9004862506-0001 * 3/2018
 GB 6128535 * 4/2021

* cited by examiner

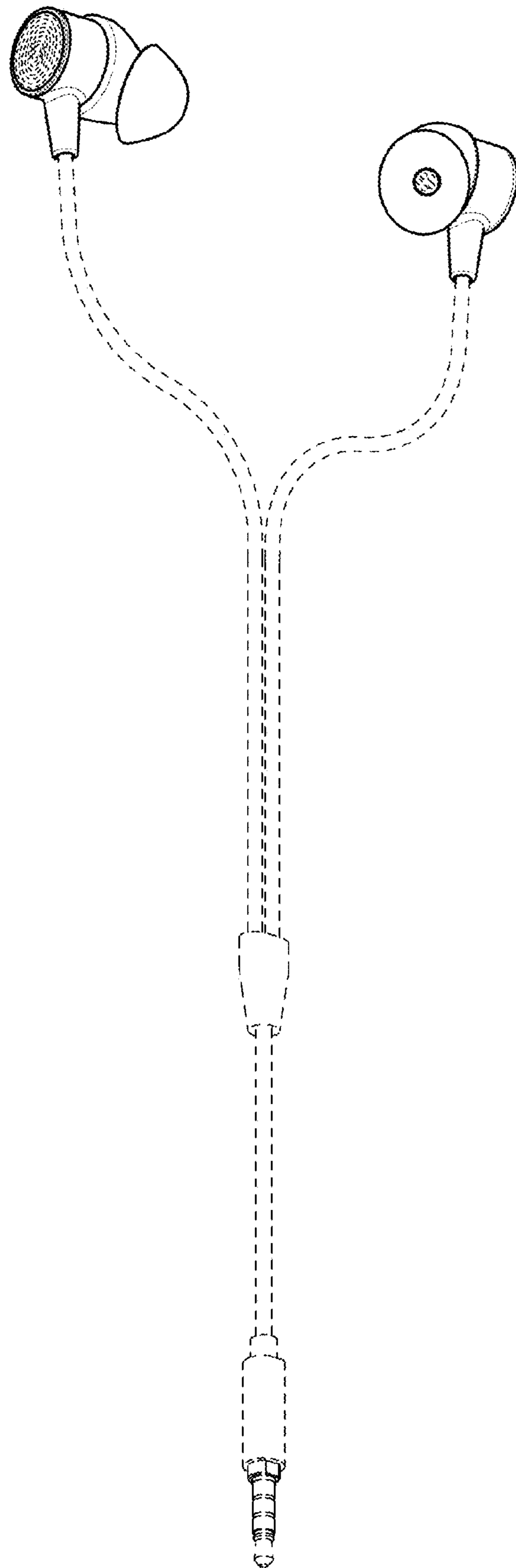


FIG. 1

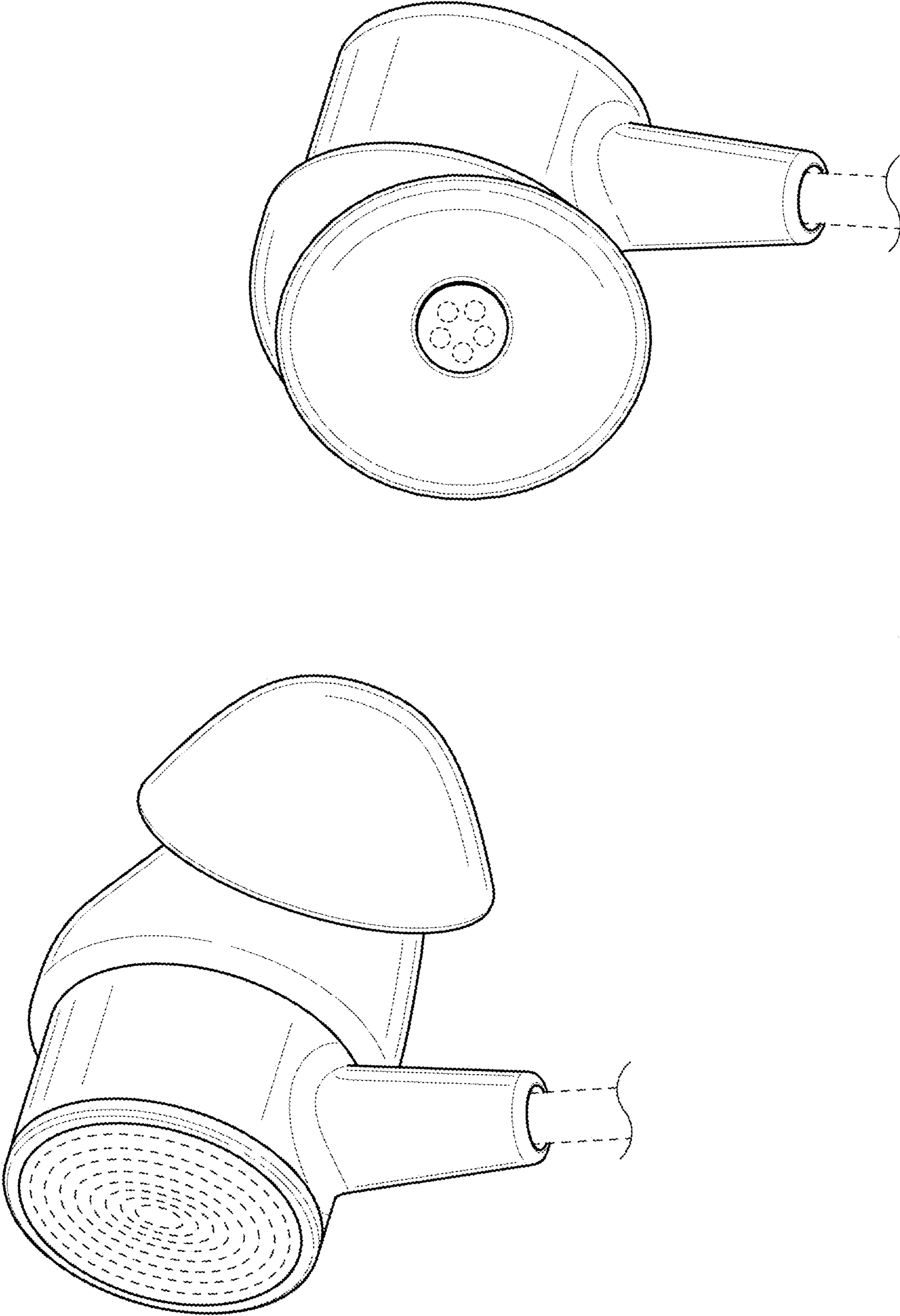


FIG. 2

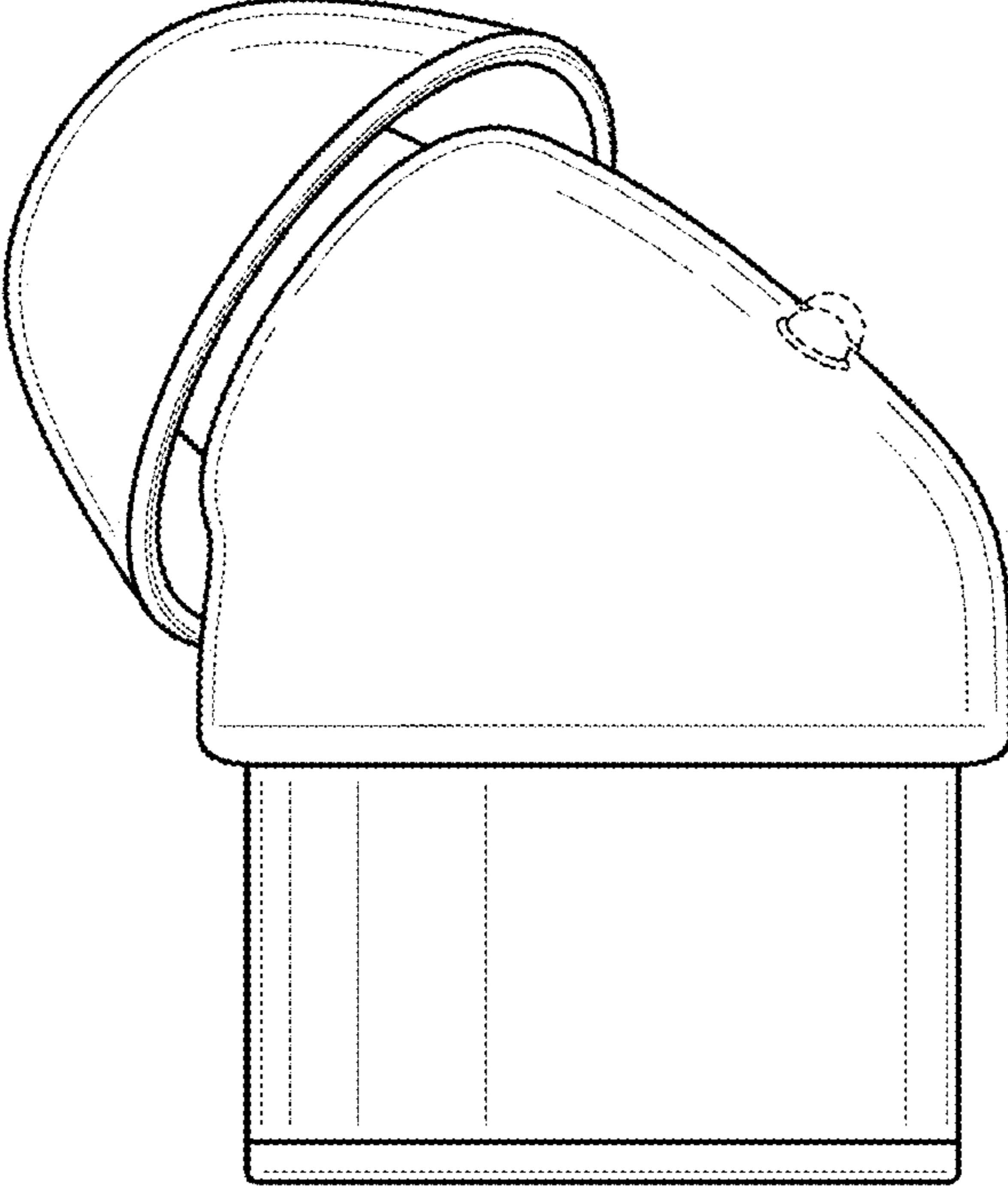
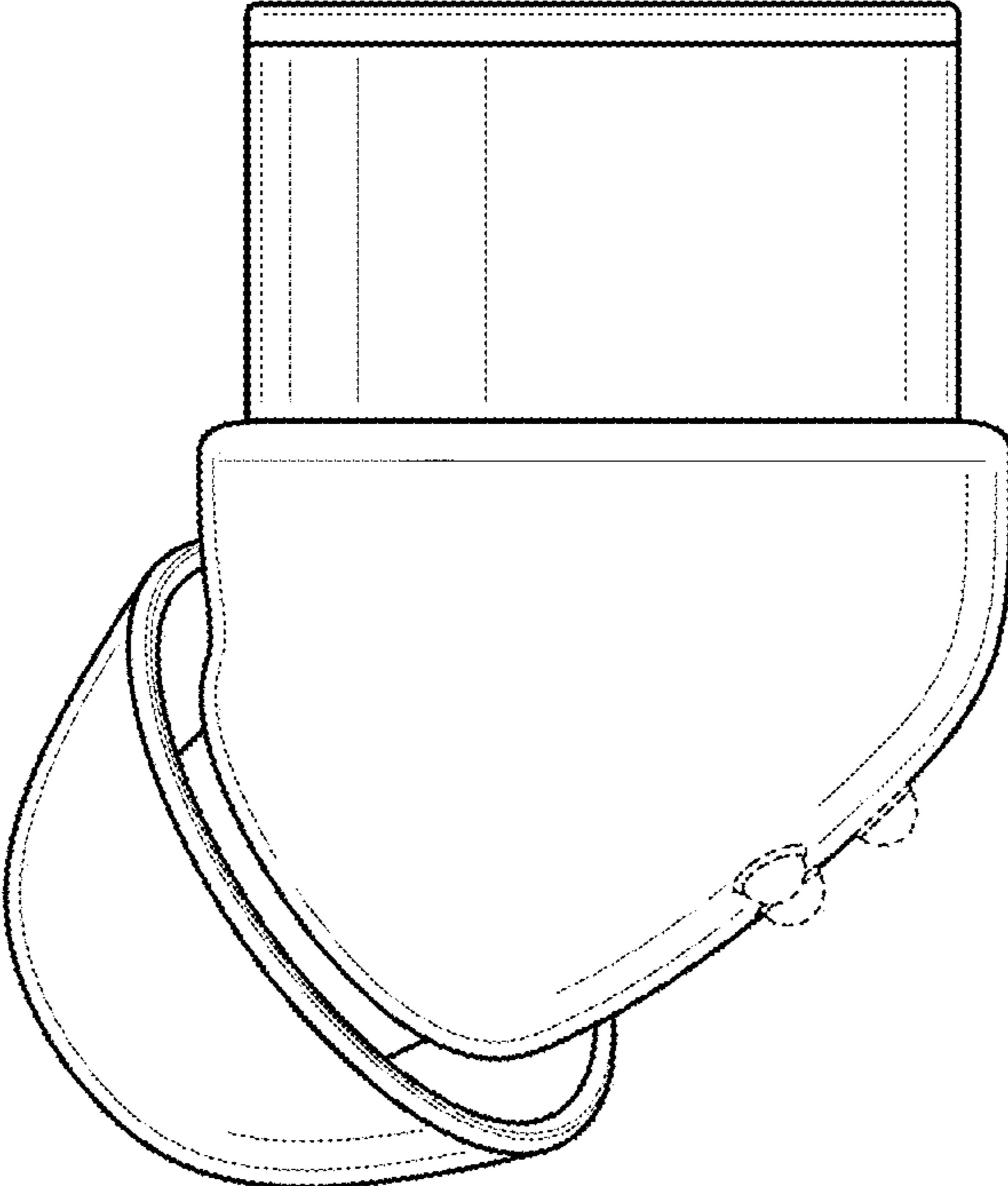


FIG. 3

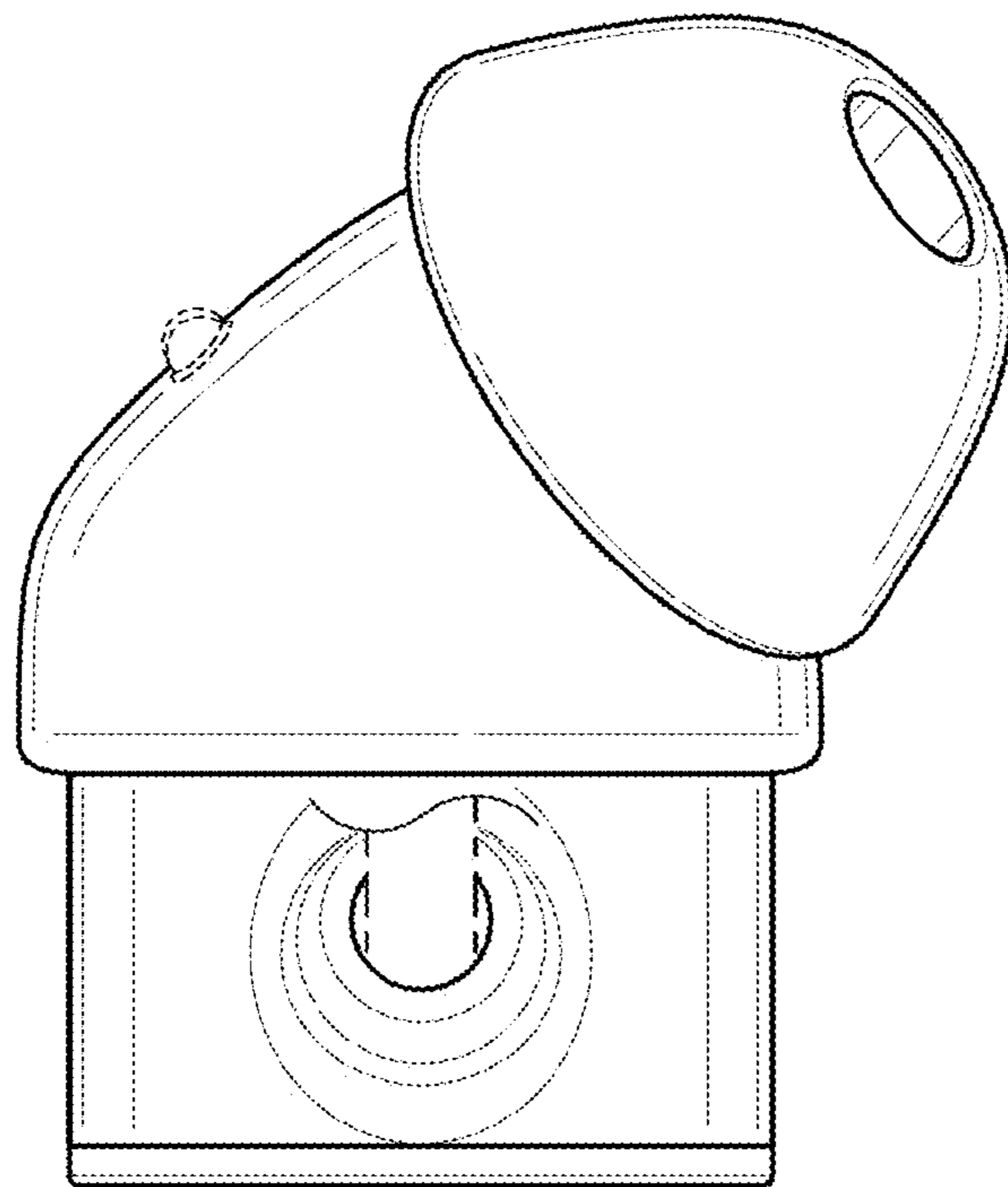
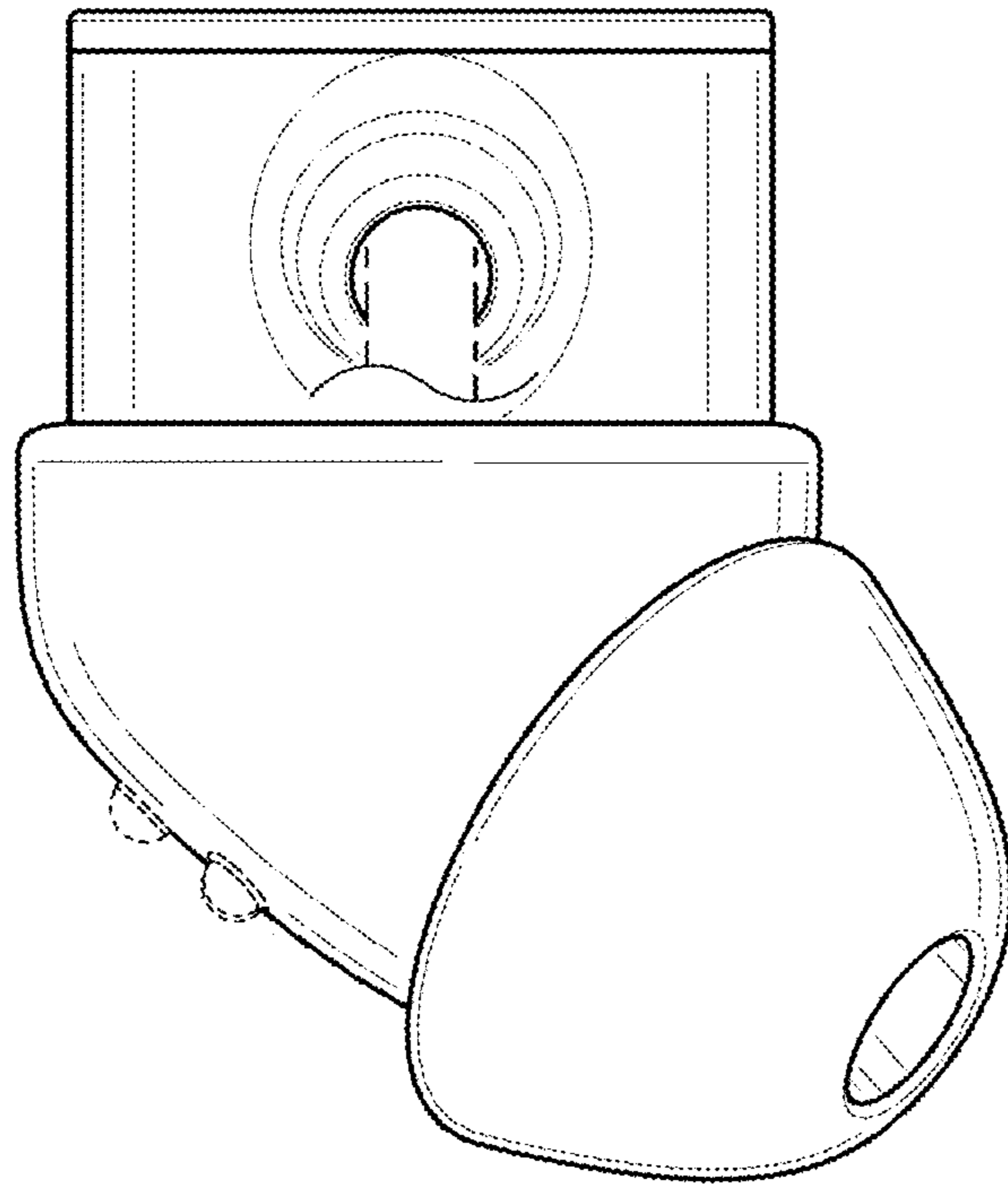


FIG. 4

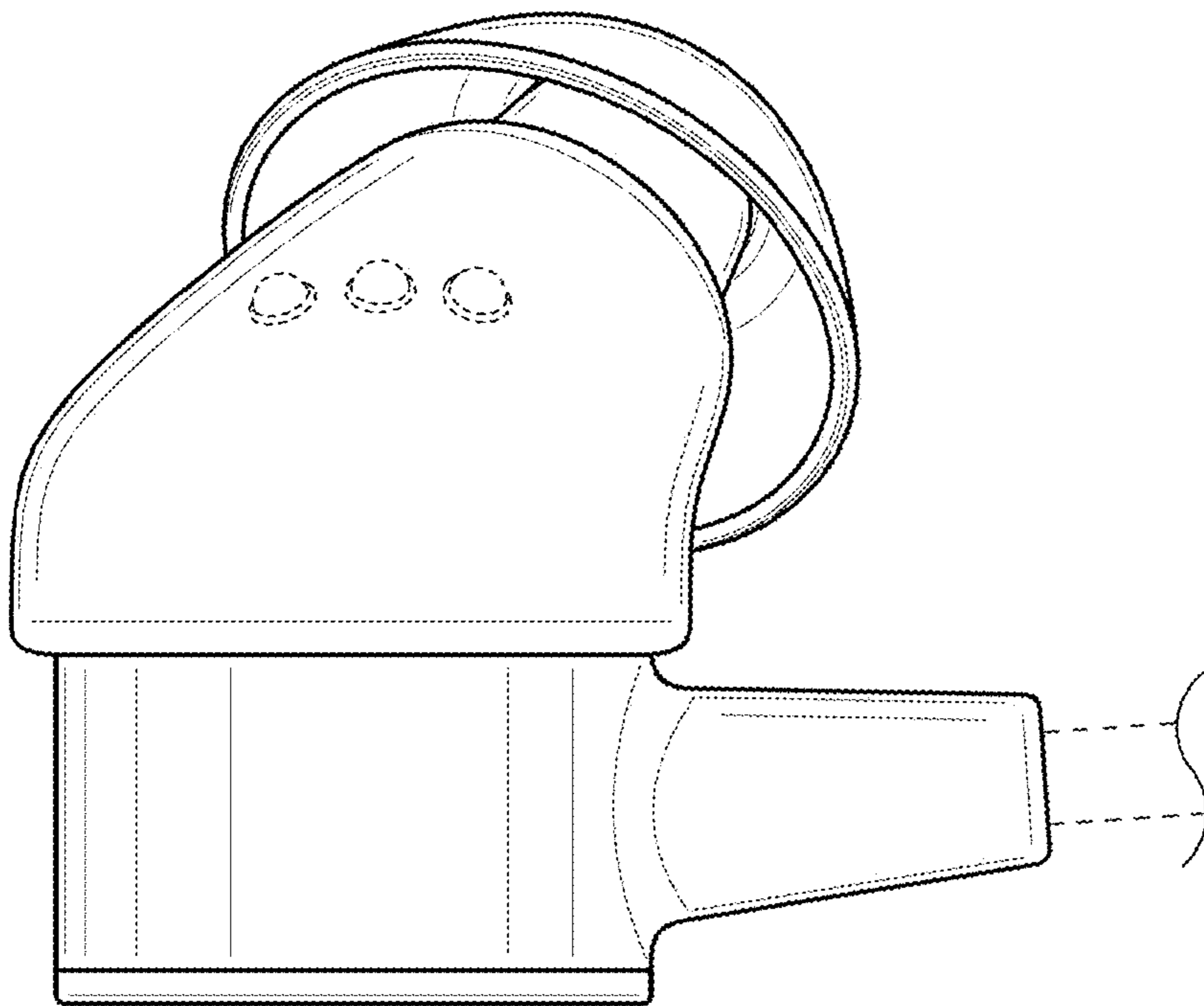
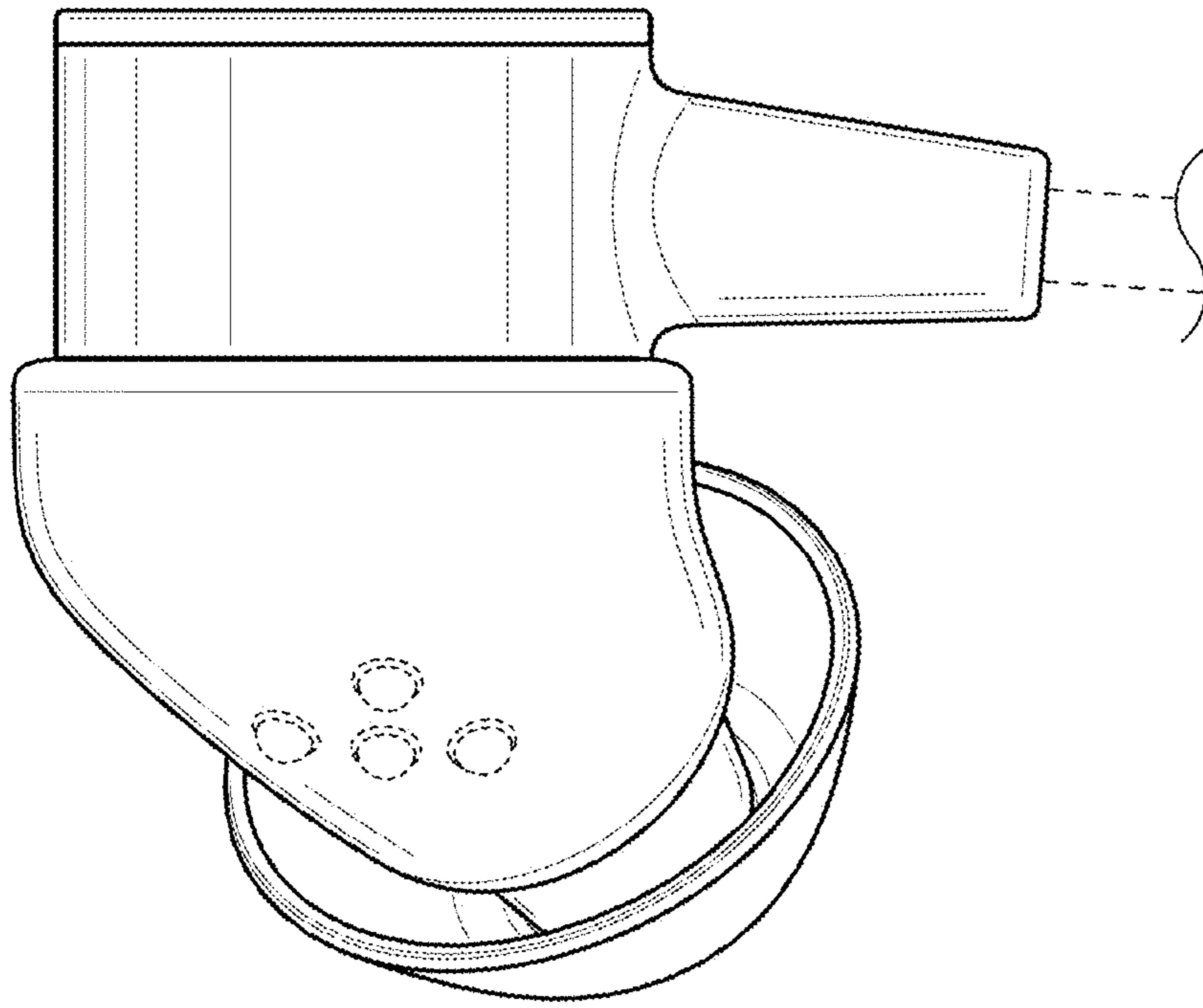


FIG. 5

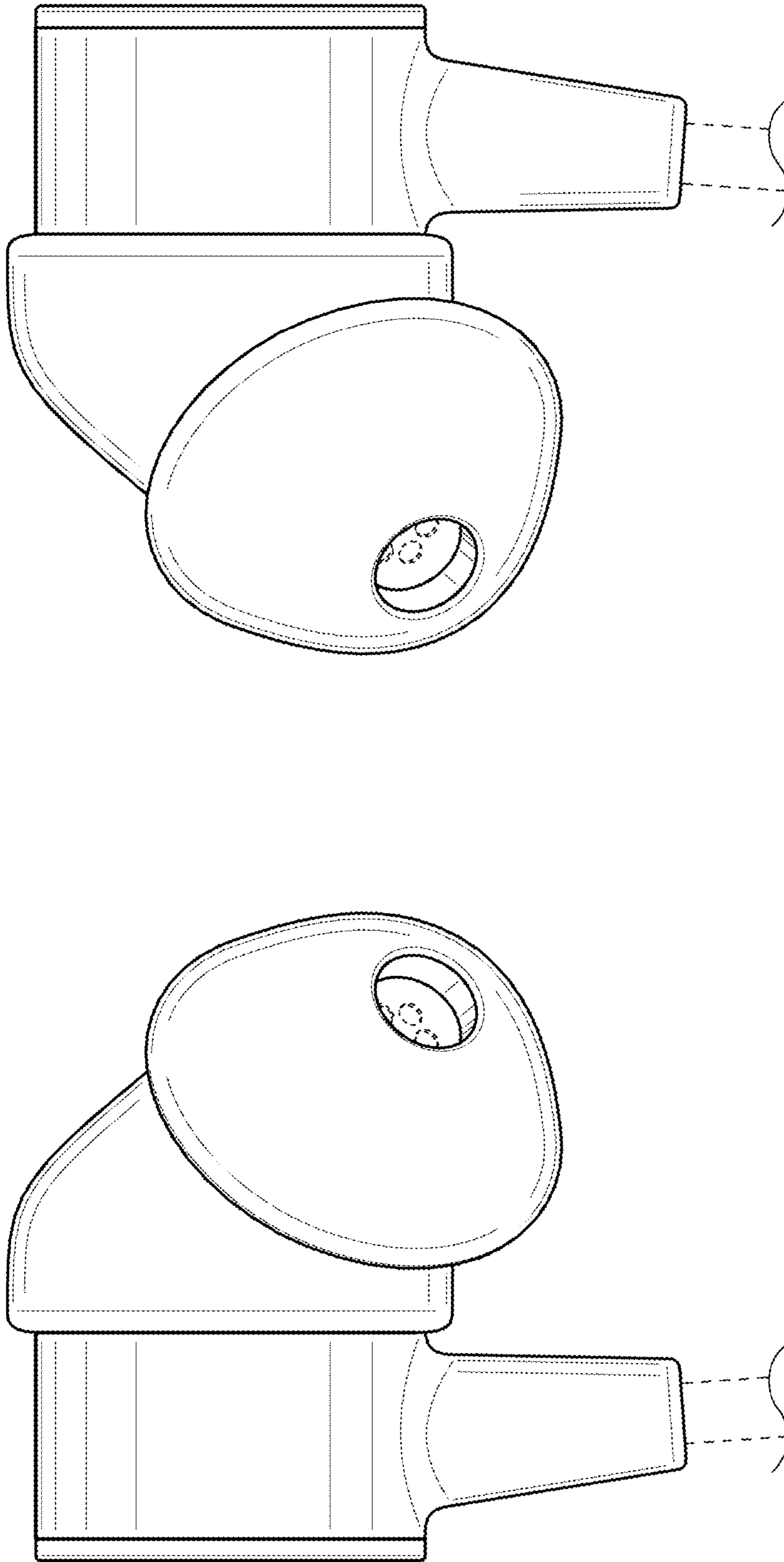


FIG. 6

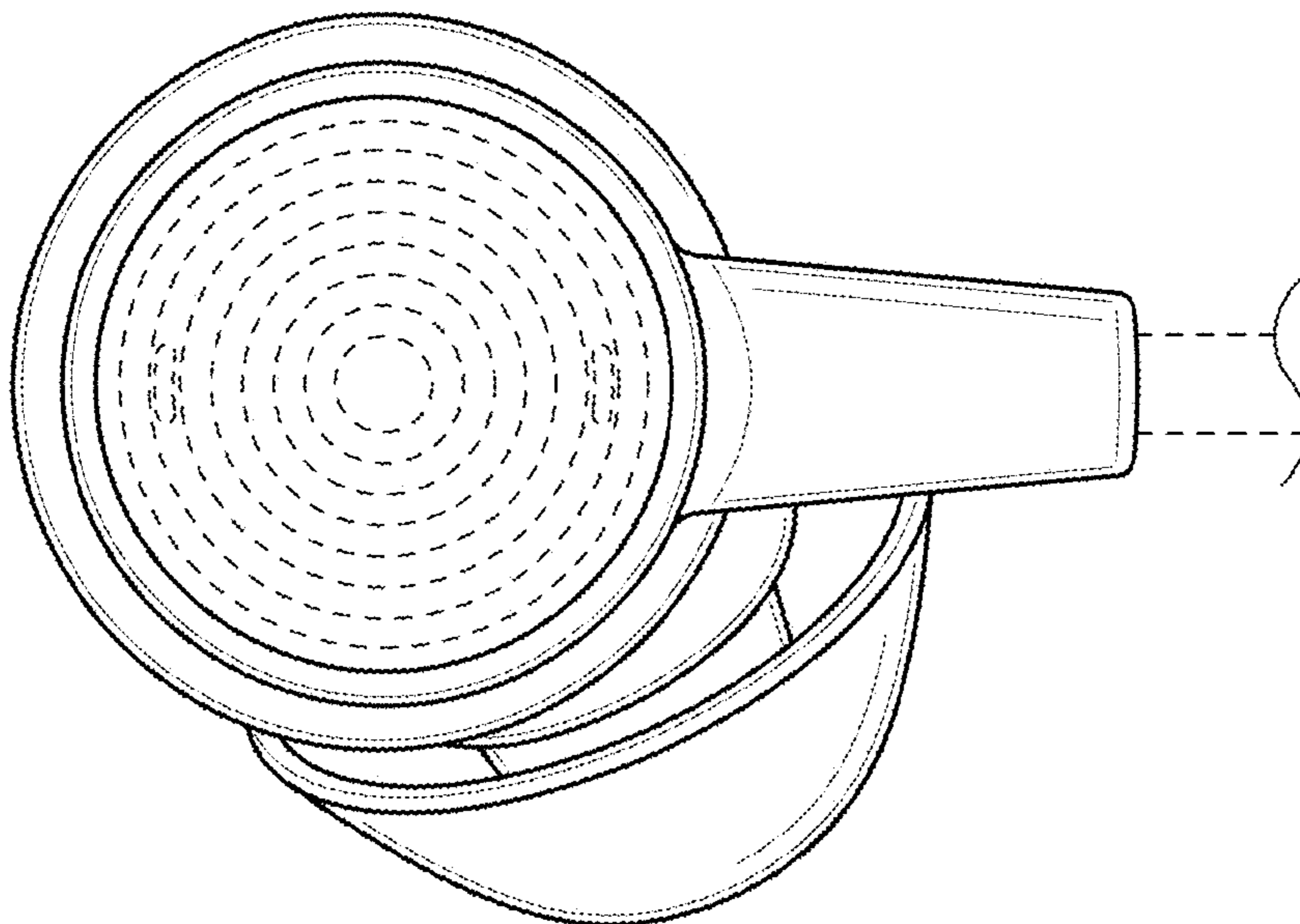
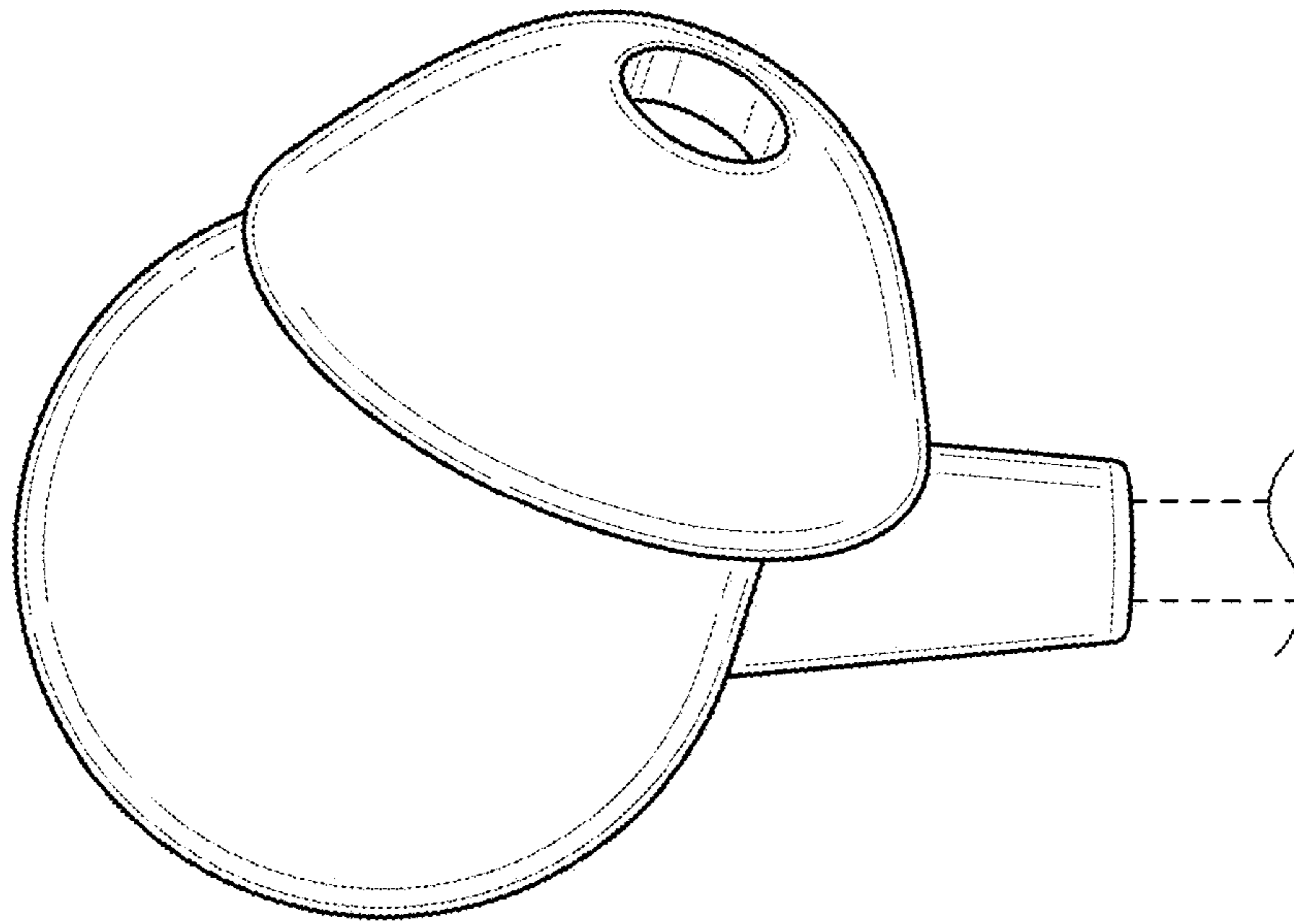


FIG. 7

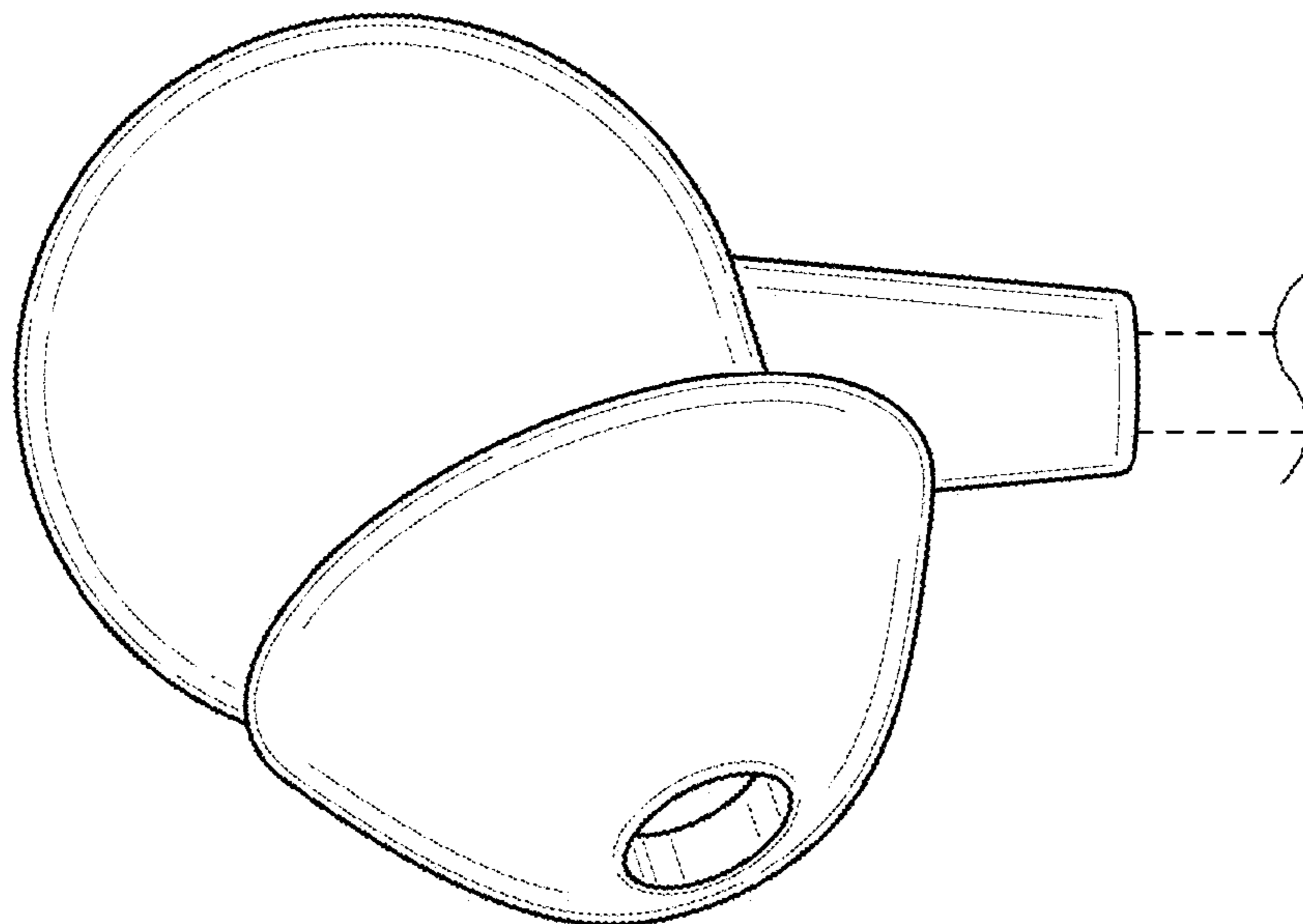
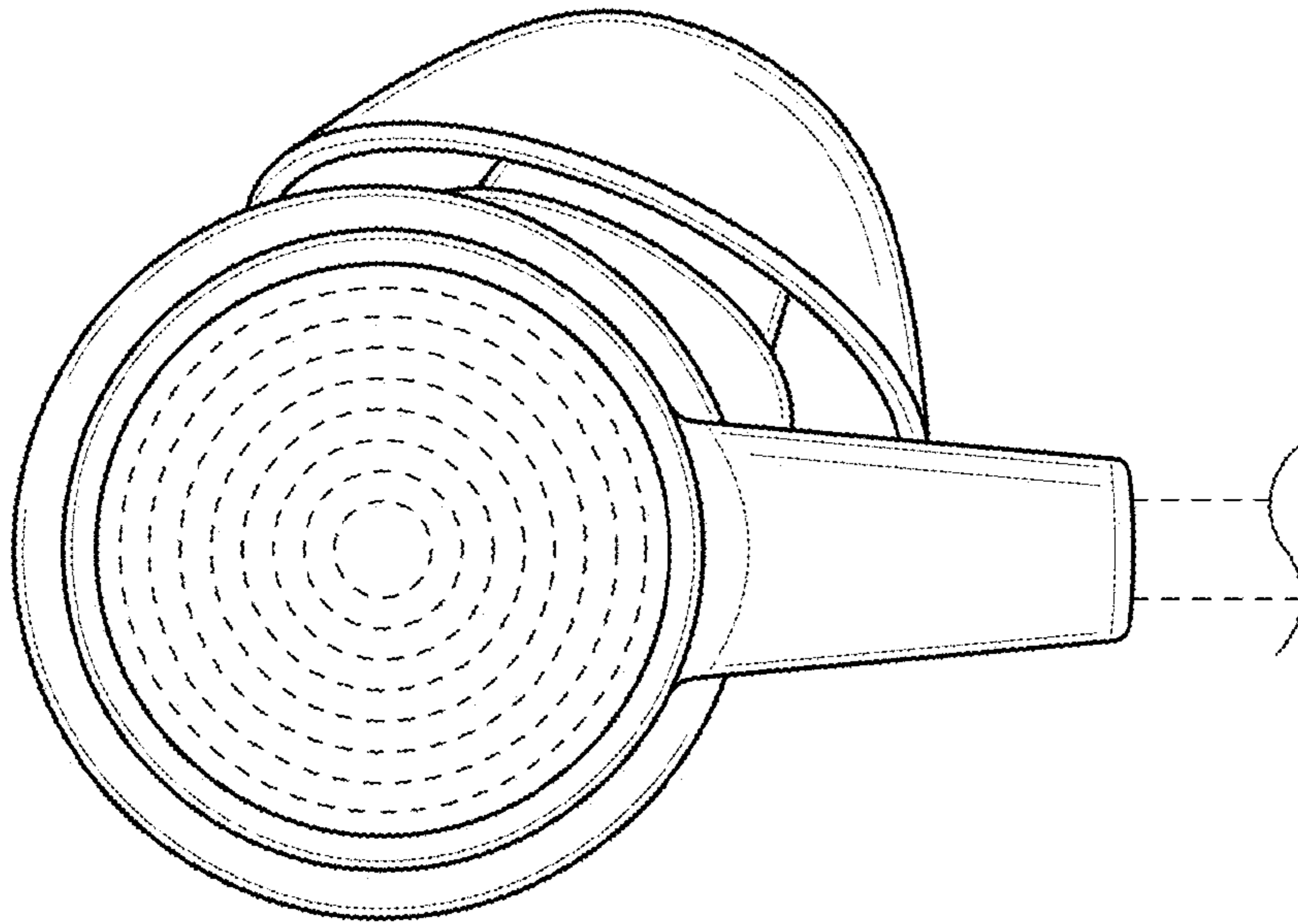


FIG. 8