

US00D963606S

(12) **United States Design Patent**
Thompson

(10) **Patent No.:** **US D963,606 S**

(45) **Date of Patent:** **** Sep. 13, 2022**

(54) **HEAD PHONE**

(71) Applicant: **BLACK & DECKER INC.**, New Britain, CT (US)

(72) Inventor: **Samuel P. Thompson**, Newcastle upon Tyne (GB)

(73) Assignee: **BLACK & DECKER INC.**, New Britain, CT (US)

(**) Term: **15 Years**

(21) Appl. No.: **29/731,745**

(22) Filed: **Apr. 17, 2020**

(51) **LOC (13) Cl.** **14-01**

(52) **U.S. Cl.**
USPC **D14/205**

(58) **Field of Classification Search**
USPC D14/205, 223; 181/129; 379/430;
381/380, 381, 374; 455/90.3, 575.1,
455/569.1
CPC H04R 25/00; H04R 25/02; H04R 1/1066;
H04R 1/1016; H04R 5/033; H04R
5/0335; H04R 1/1033; H04R 1/1091;
H04R 1/10

See application file for complete search history.

(56) **References Cited**

U.S. PATENT DOCUMENTS

D539,782 S *	4/2007	Lee	D14/188
7,841,446 B2 *	11/2010	Leong	A61F 11/08
				181/135
D673,531 S *	1/2013	Lee	D14/223
D673,998 S *	1/2013	Wells	D17/20
D712,382 S *	9/2014	Brunner	D14/223
D715,253 S *	10/2014	Lee	D14/205
8,908,899 B1 *	12/2014	Yang	H04R 1/1033
				381/384

D722,040 S *	2/2015	Tan	D14/205
D734,744 S *	7/2015	Brunner	D14/223
D739,377 S *	9/2015	Yeom	D14/205
D741,299 S *	10/2015	Brunner	D14/223
D743,946 S *	11/2015	Brunner	D14/223
D745,862 S *	12/2015	Otani	D14/223
D746,267 S *	12/2015	Birger	D14/223
D767,532 S *	9/2016	Jen	D14/205
D775,610 S *	1/2017	Nakajima	D14/223
D778,256 S *	2/2017	Jung	D14/205
D780,721 S *	3/2017	Brunner	D14/223
D782,442 S *	3/2017	Chen	D14/205
D782,996 S *	4/2017	Zhu	D14/205
D785,594 S *	5/2017	Zaihui	D14/205
D790,501 S *	6/2017	Wang	D14/205
D801,950 S *	11/2017	Otani	D14/223
D806,684 S *	1/2018	Tsai	D14/223
D810,053 S *	2/2018	Otani	D14/223
D810,720 S *	2/2018	Lee	D14/205
D816,060 S *	4/2018	Wei	D14/205
D817,920 S *	5/2018	Paschke	D14/205

(Continued)

Primary Examiner — Paula Allen Greene

(74) *Attorney, Agent, or Firm* — Adan Ayala

(57) **CLAIM**

The ornamental design for a head phone, as shown and described.

DESCRIPTION

FIG. 1 is a front perspective view of a head phone according to the invention.

FIG. 2 is a front view of the head phone of FIG. 1.

FIG. 3 is a rear view of the head phone of FIG. 1.

FIG. 4 is a right side view of the head phone of FIG. 1.

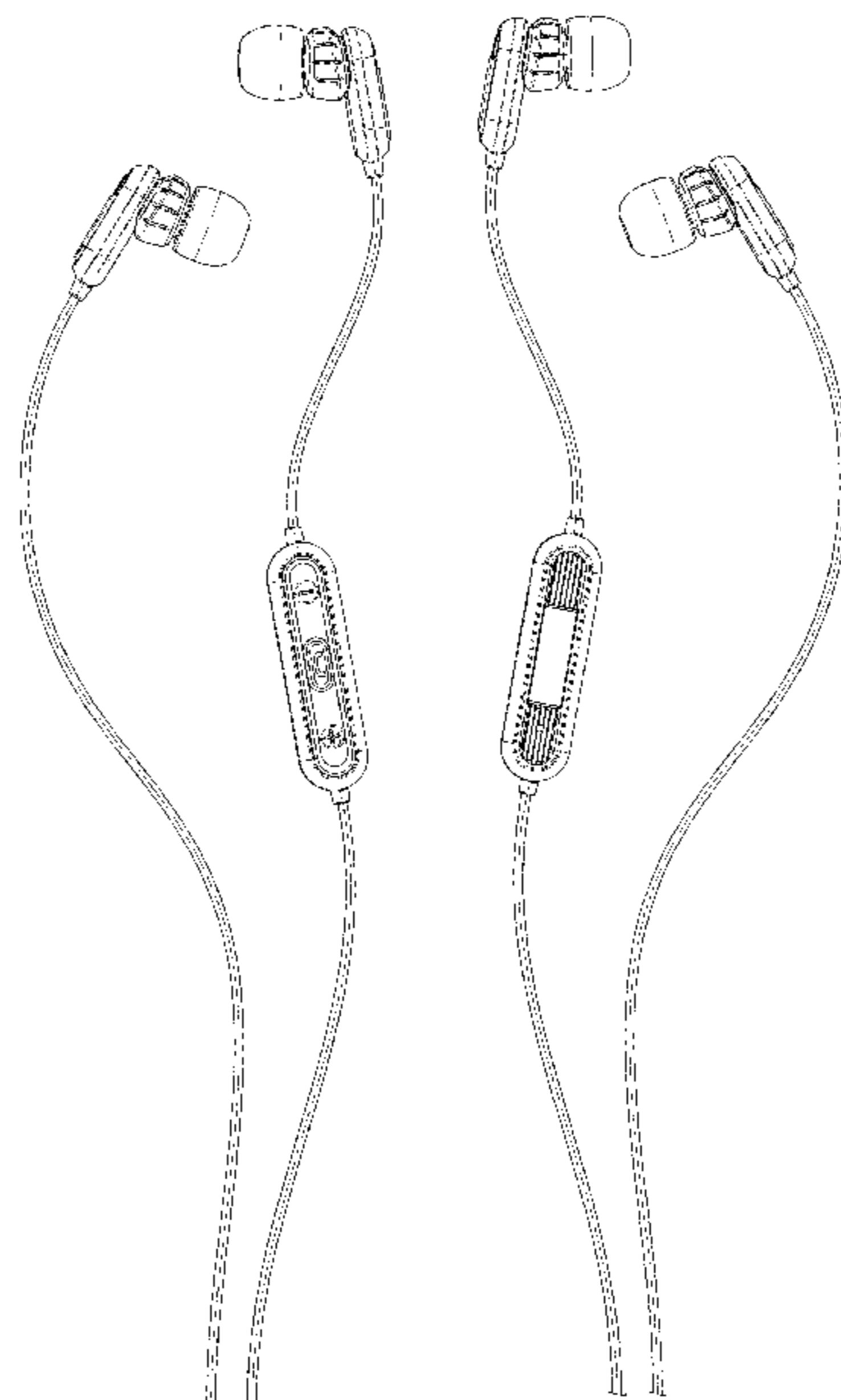
FIG. 5 is a left side view of the head phone of FIG. 1.

FIG. 6 is a top plan view of the head phone of FIG. 1; and,

FIG. 7 is a bottom plan view of the head phone of FIG. 1.

The broken lines illustrate portions of the head phone and form no part of the claimed design.

1 Claim, 6 Drawing Sheets



(56)

References Cited

U.S. PATENT DOCUMENTS

D822,636	S *	7/2018	Liu	D14/205
10,154,334	B1 *	12/2018	Lin	H04R 1/1041
D838,692	S *	1/2019	Fu	D14/223
D839,237	S *	1/2019	Mei	D14/205
D842,836	S *	3/2019	Ma	D14/205
D843,344	S *	3/2019	Zhu	D14/205
D858,482	S *	9/2019	Ma	D14/205
D918,865	S *	5/2021	Bellham	D14/205
2009/0304220	A1 *	12/2009	Fujikura	H04R 1/1091 381/380
2010/0166208	A1 *	7/2010	Kato	H04R 5/0335 381/74
2010/0202626	A1 *	8/2010	Shiori	G06F 3/017 381/74

* cited by examiner

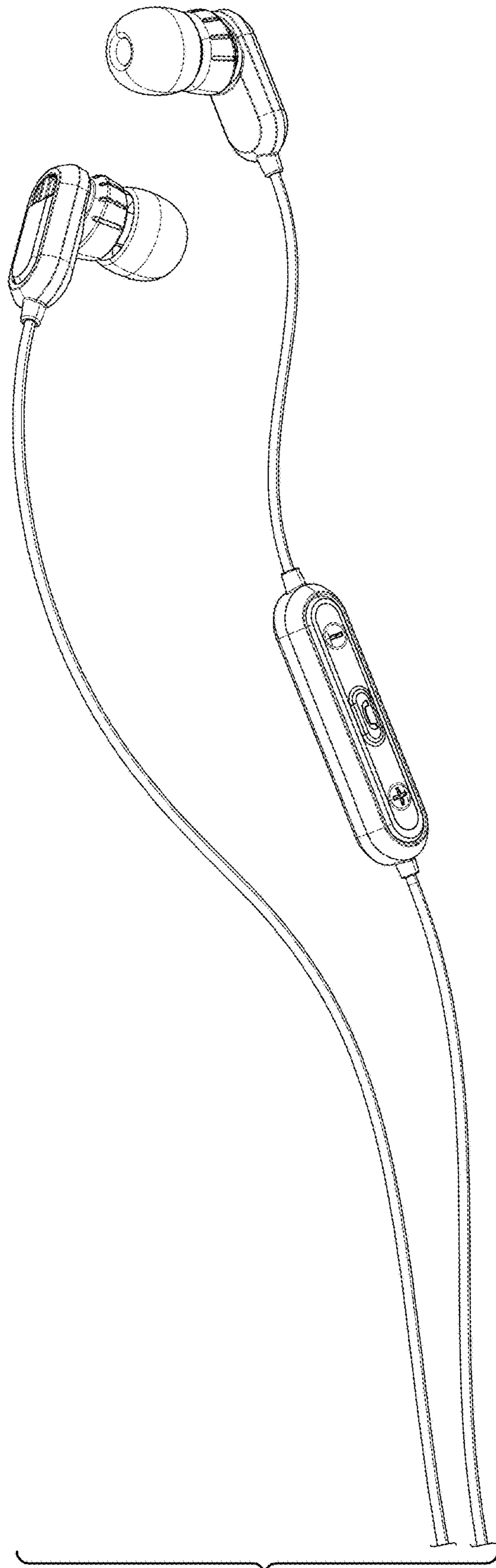


FIG. 1

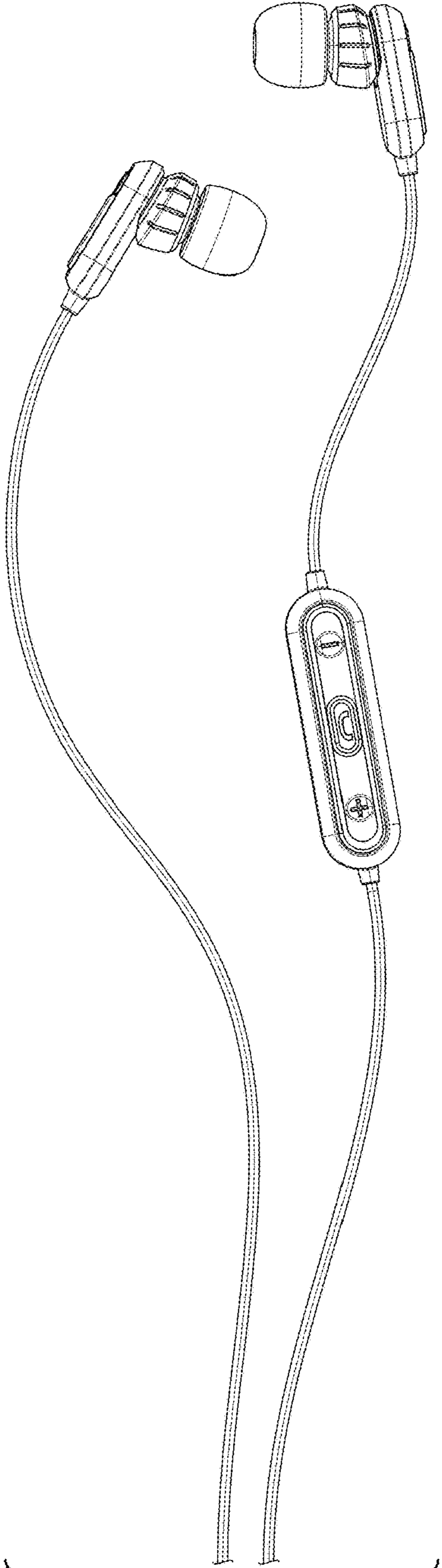


FIG. 2

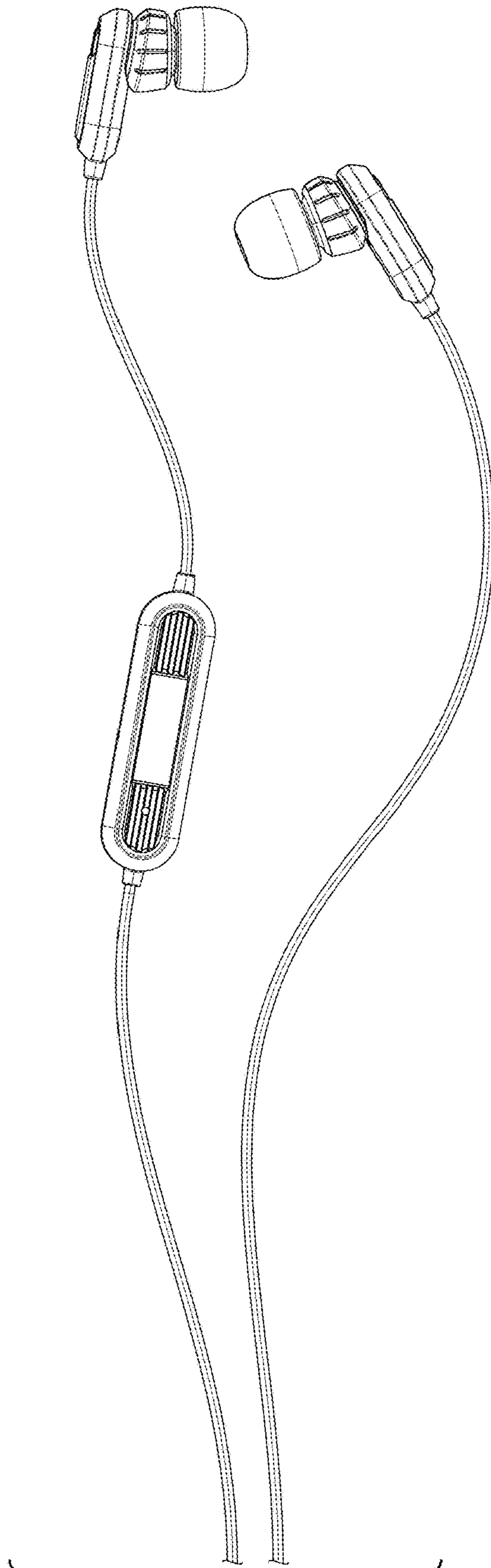


FIG. 3

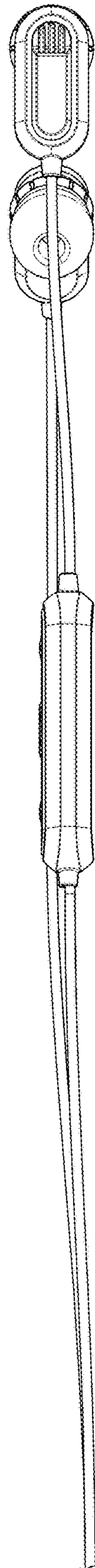


FIG. 4

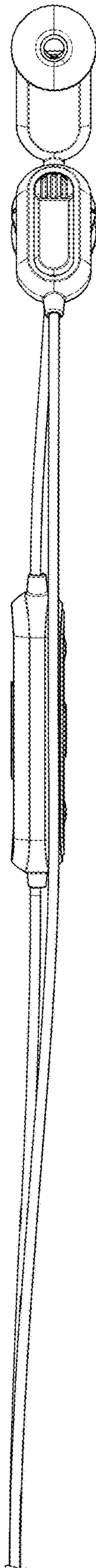


FIG. 5

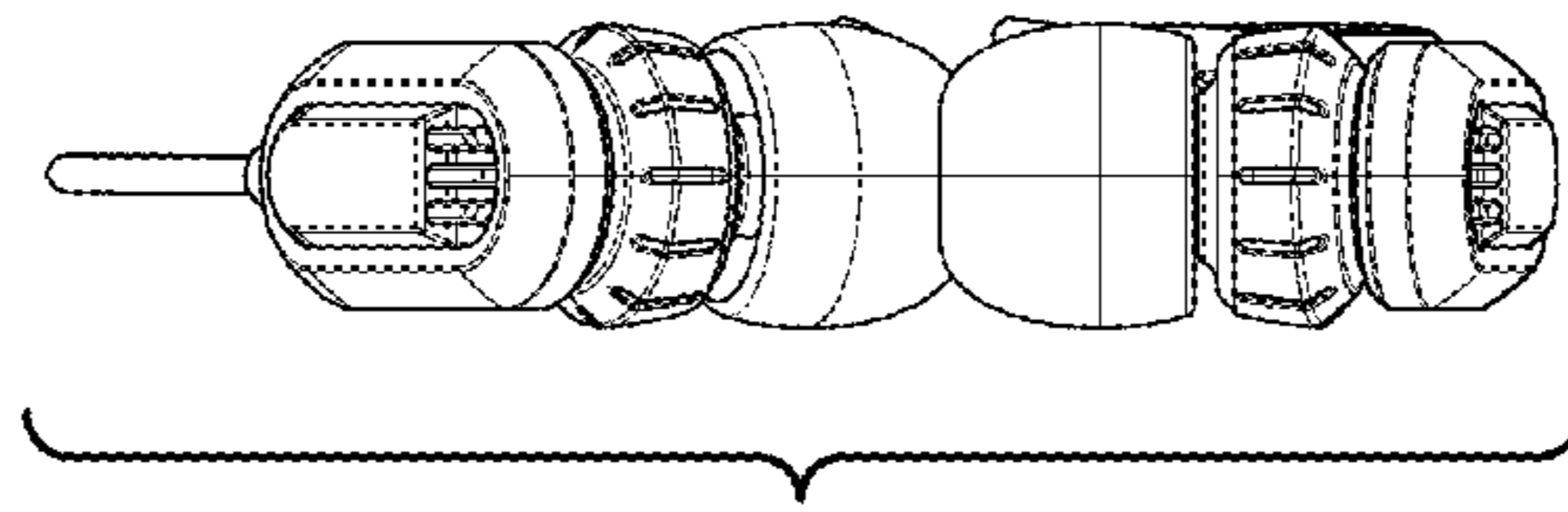


FIG. 6

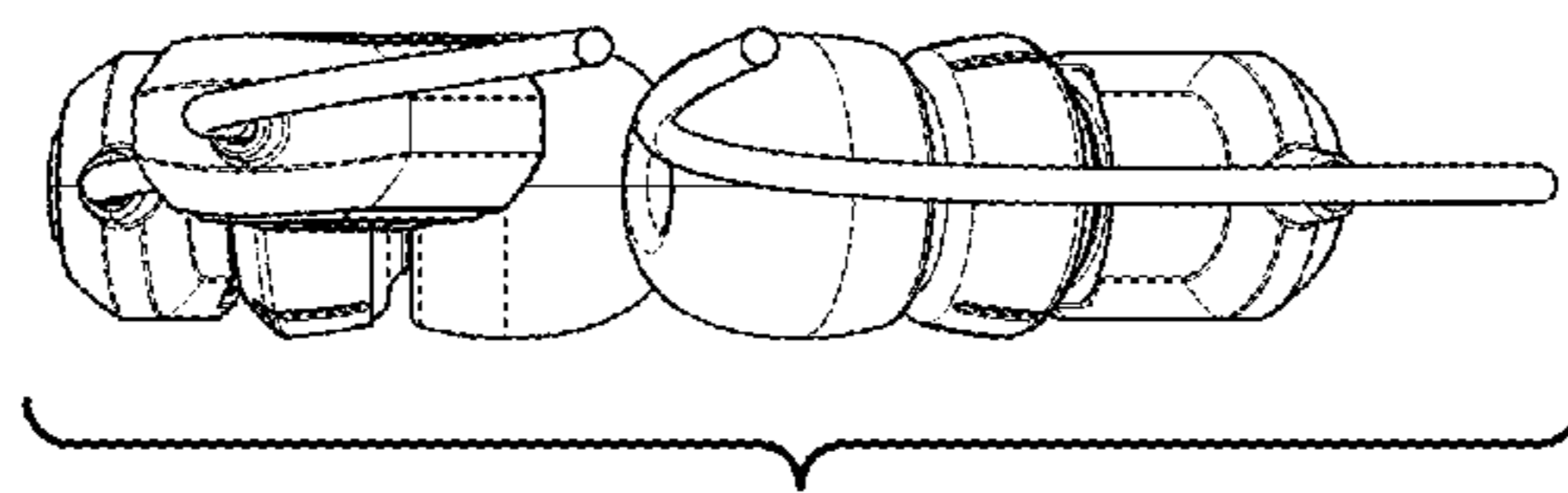


FIG. 7