



US00D963599S

(12) **United States Design Patent** (10) **Patent No.:** **US D963,599 S**  
**Sancer et al.** (45) **Date of Patent:** **\*\* Sep. 13, 2022**

(54) **SWITCH CAP**

(71) Applicant: **PACCAR Inc**, Bellevue, WA (US)

(72) Inventors: **Derek Scott Sancer**, Denton, TX (US);  
**Louis Daniel Heilaneh**, Lewisville, TX (US); **David Leetz**, Denton, TX (US)

(73) Assignee: **PACCAR Inc**, Bellevue, WA (US)

(\*\*) Term: **15 Years**

(21) Appl. No.: **29/740,034**

(22) Filed: **Jun. 30, 2020**

(51) **LOC (13) Cl.** ..... **13-03**

(52) **U.S. Cl.**  
USPC ..... **D13/174; D13/177**

(58) **Field of Classification Search**  
USPC ..... D13/173, 174, 177  
CPC ..... H01H 9/06; H01H 9/20; H01H 9/287;  
H02G 3/08; H02G 3/081; H02G 3/083;  
H02G 3/088; H02G 3/10; H02G 3/12;  
H02G 3/14  
See application file for complete search history.

(56) **References Cited**

U.S. PATENT DOCUMENTS

3,777,092 A \* 12/1973 Yeske ..... H01H 9/06  
200/337

3,829,645 A \* 8/1974 Piber ..... H01H 9/06  
200/43.17

5,012,057 A \* 4/1991 Inuyama ..... H01H 9/06  
200/332.2

5,041,706 A \* 8/1991 Osika ..... H01H 23/16  
200/296

5,045,648 A \* 9/1991 Fogleman, Sr. .... H01H 27/00  
200/43.16

6,784,390 B2 \* 8/2004 Chu ..... H01H 9/06  
200/243

6,812,425 B1 \* 11/2004 Wong ..... H01H 9/06  
200/321

D690,659 S \* 10/2013 Peltola ..... D13/158

D691,565 S 10/2013 Peltola et al.

D707,190 S \* 6/2014 Peltola ..... D13/174

D709,838 S \* 7/2014 Peltola ..... D13/174

2013/0306343 A1 \* 11/2013 Magno, Jr ..... H02G 3/14  
174/67

2017/0372855 A1 \* 12/2017 Sato ..... H01H 9/06

2020/0219675 A1 \* 7/2020 Wong ..... H01H 19/36

2021/0012980 A1 \* 1/2021 Nieh ..... H01H 21/22

2021/0313124 A1 \* 10/2021 Zheng ..... H01H 23/04

\* cited by examiner

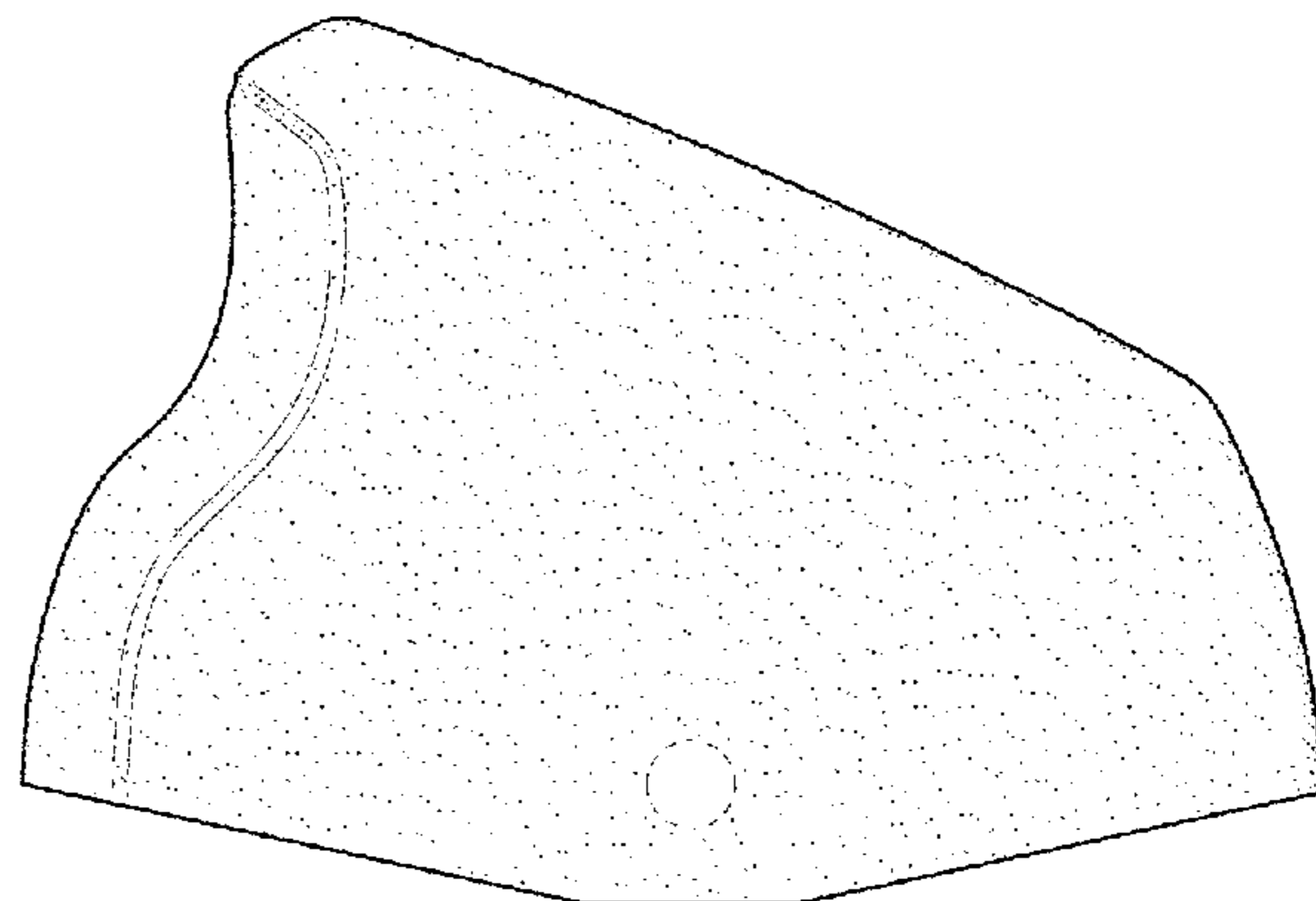
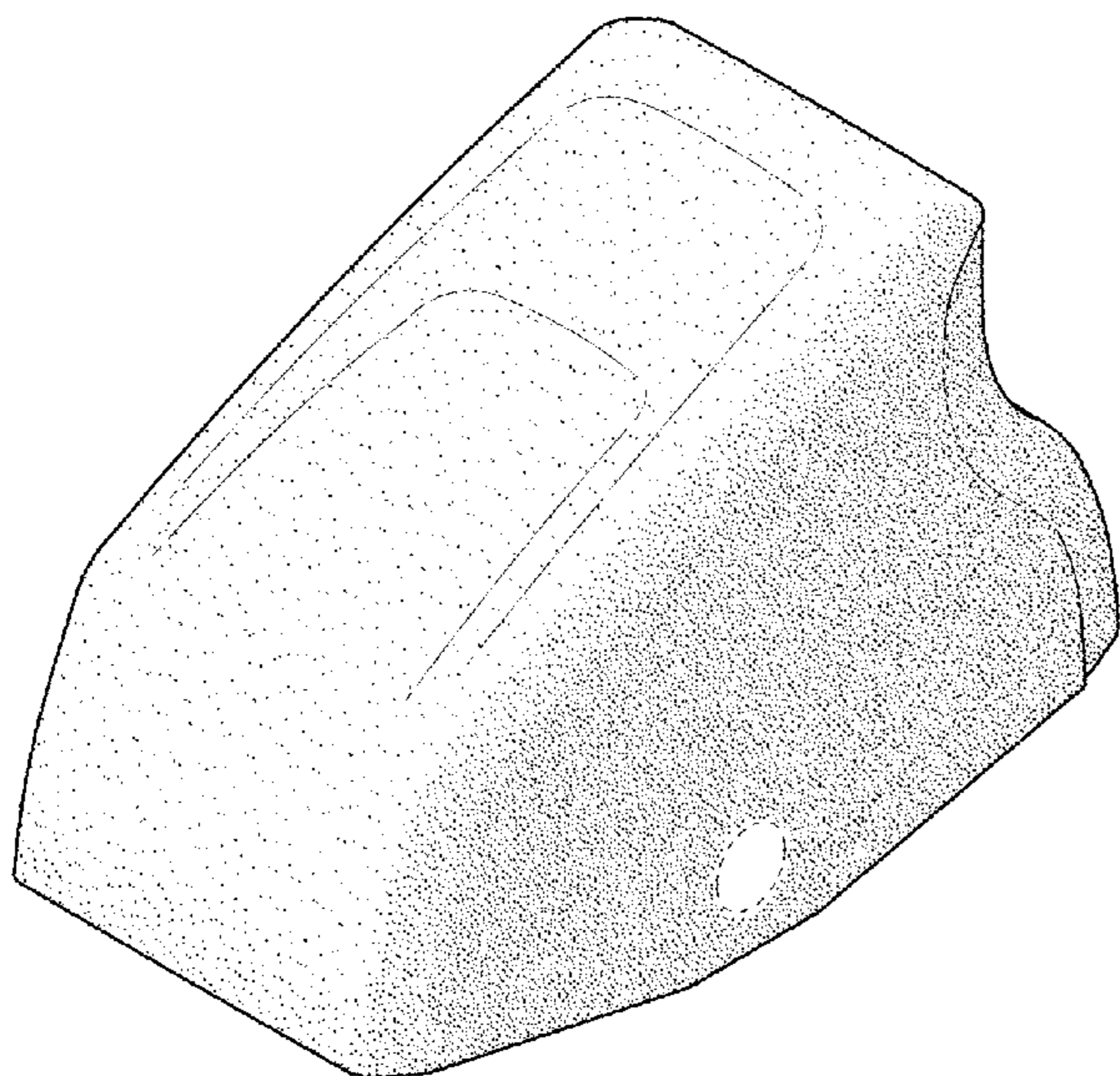
*Primary Examiner* — Selina Sikder  
(74) *Attorney, Agent, or Firm* — Seed IP Law Group LLP

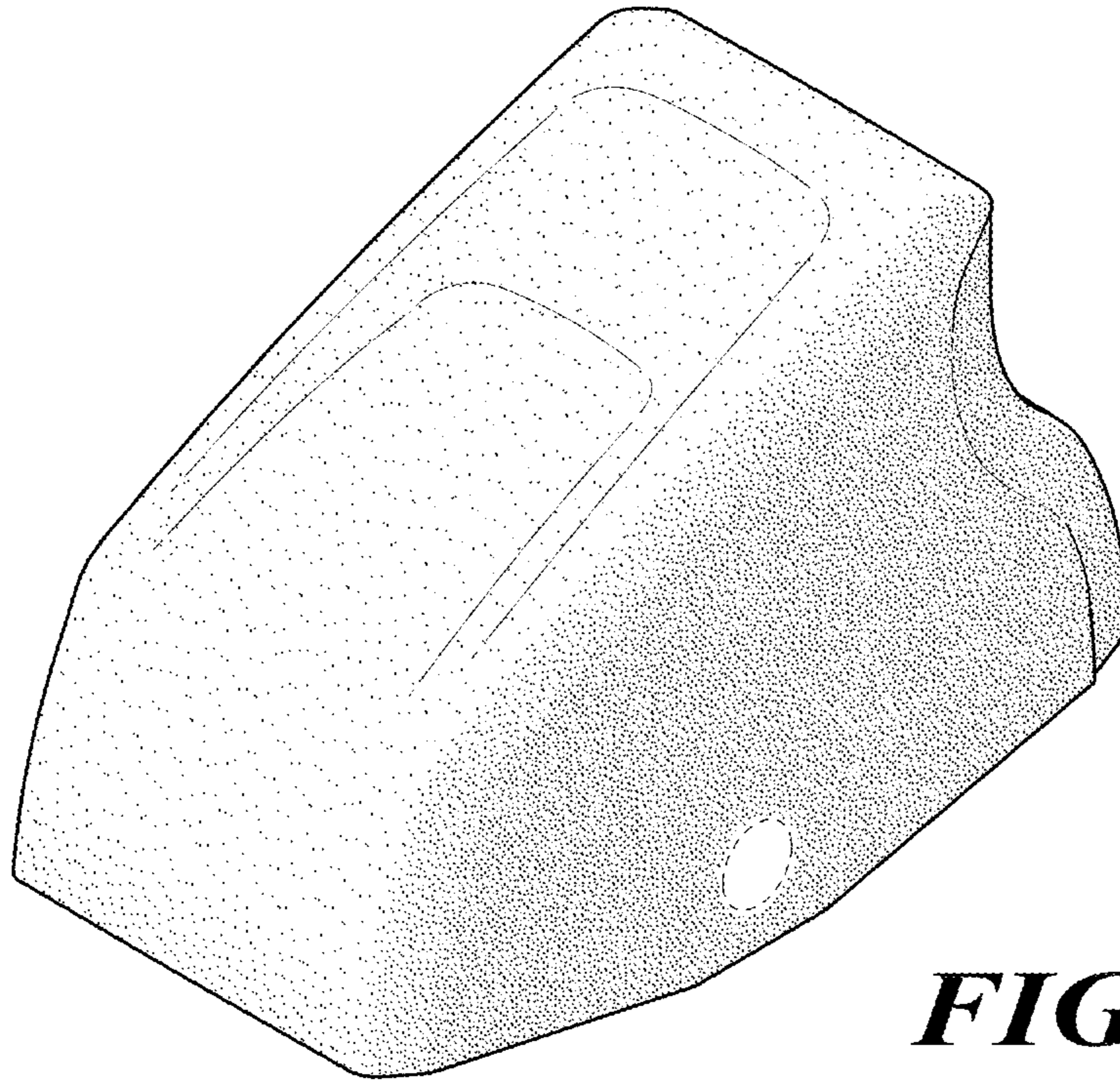
(57) **CLAIM**  
The ornamental design for a switch cap, as shown and described.

**DESCRIPTION**

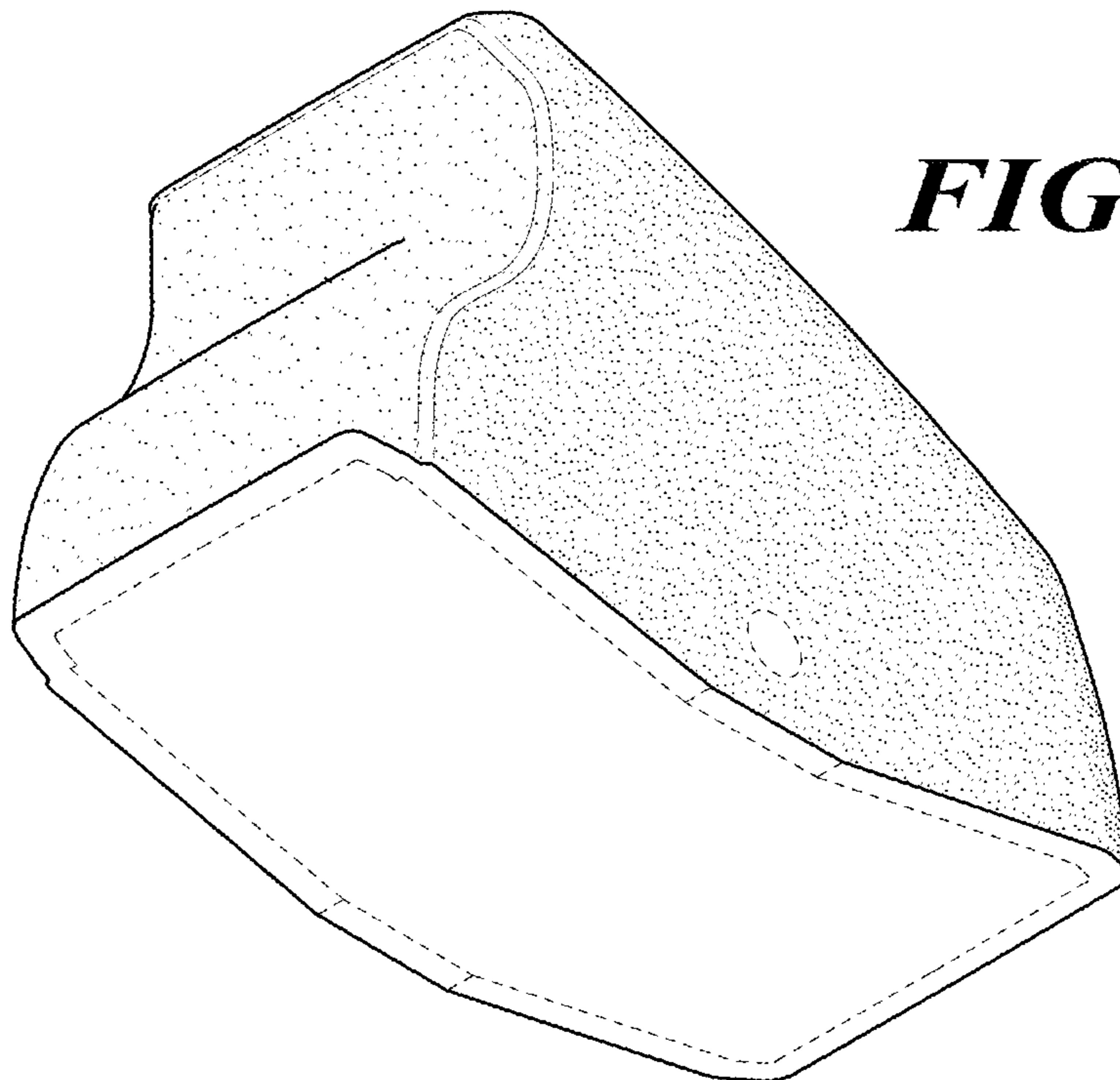
FIG. 1 is a top isometric view of a switch cap, showing our new design.  
FIG. 2 is a bottom isometric view thereof.  
FIG. 3 is a front elevational view thereof.  
FIG. 4 is a rear elevational view thereof.  
FIG. 5 is a left side elevational view thereof.  
FIG. 6 is a right side elevational view thereof.  
FIG. 7 is a top plan view thereof; and,  
FIG. 8 is a bottom plan view thereof.  
Stippling and tangency lines in the drawings represent the three-dimensional contours of the design, and are not intended to indicate surface decoration. The broken lines shown in the drawings depict portions of the switch cap that form no part of the claimed design.

**1 Claim, 3 Drawing Sheets**

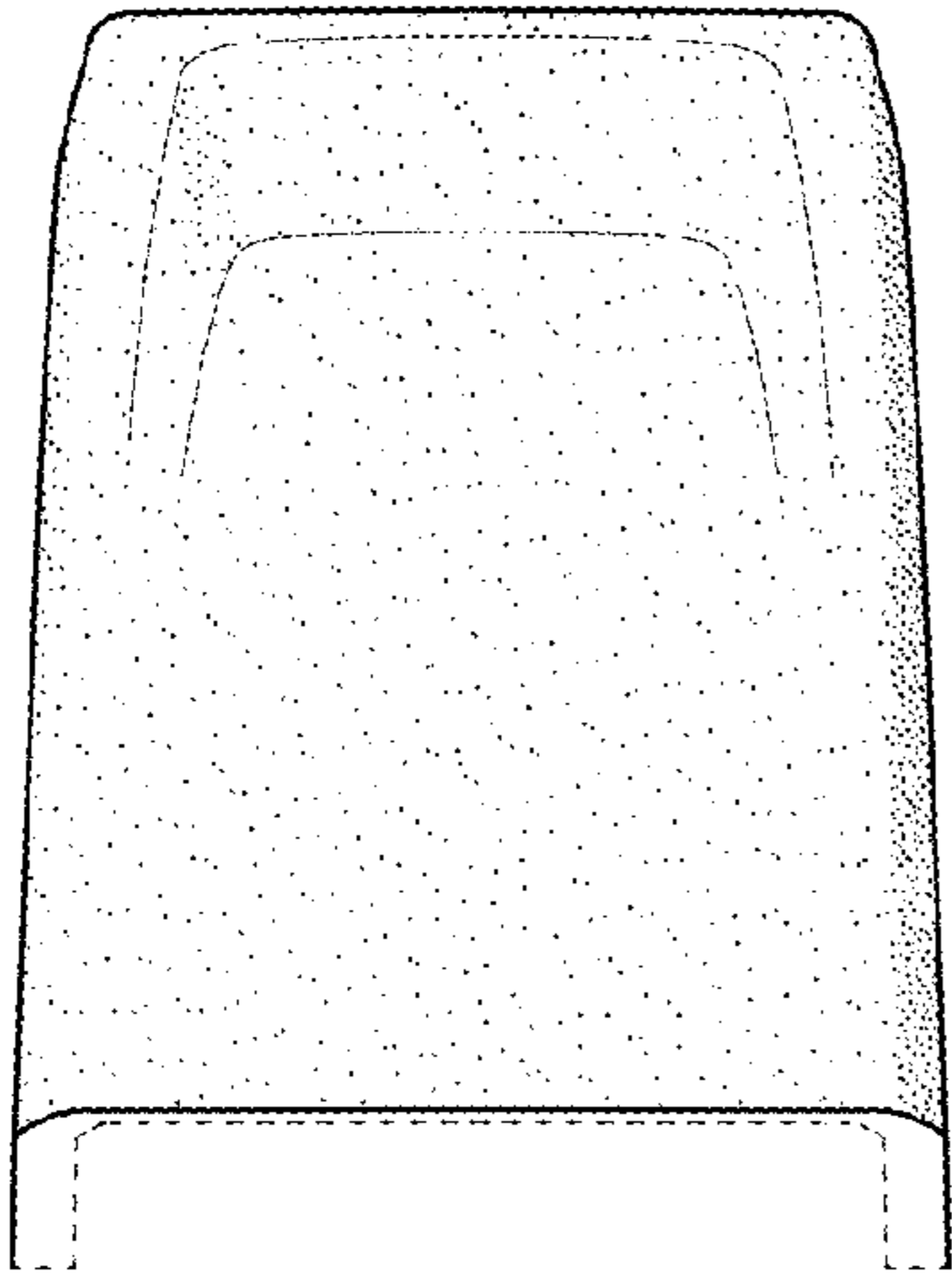




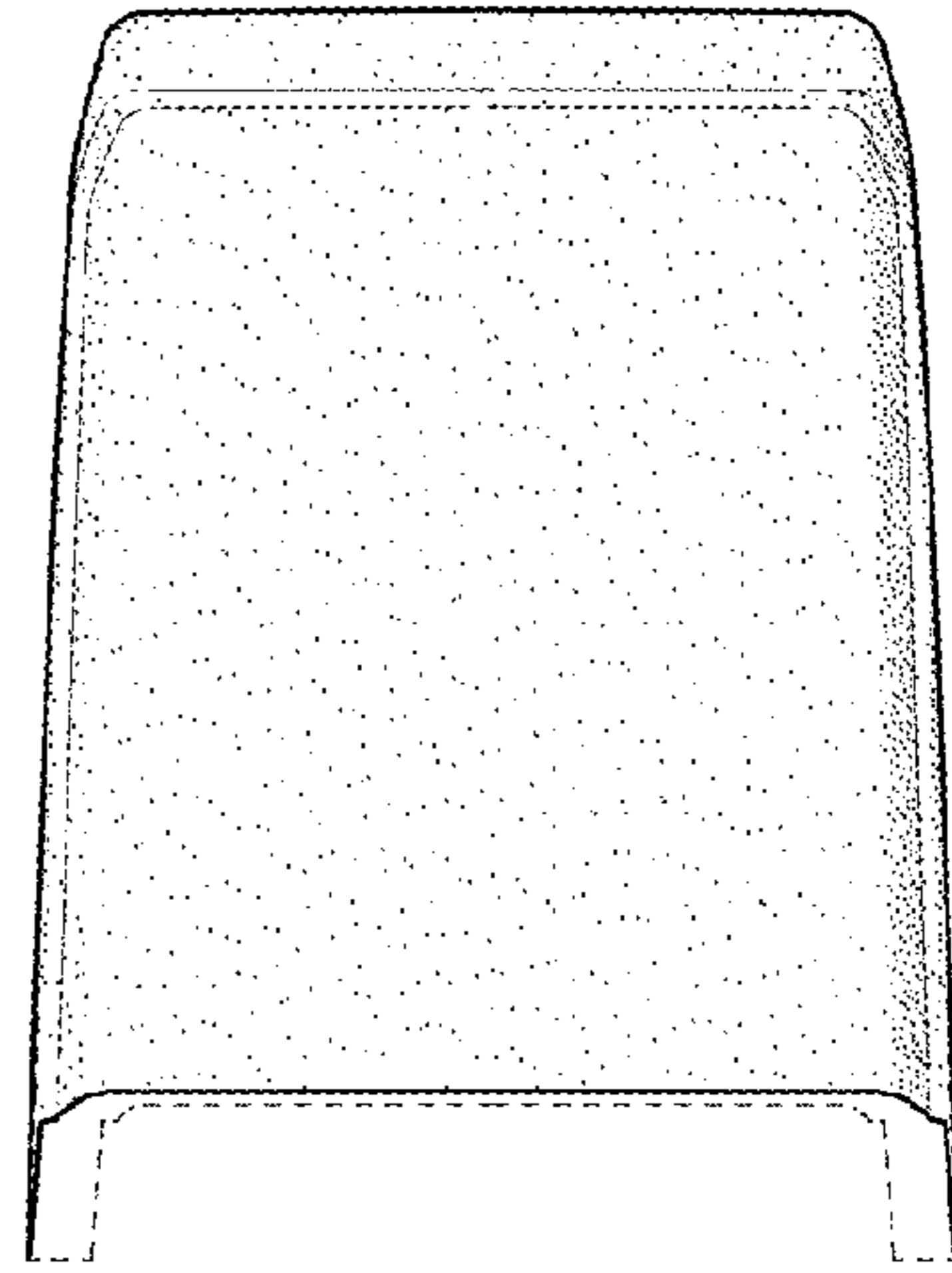
***FIG. 1***



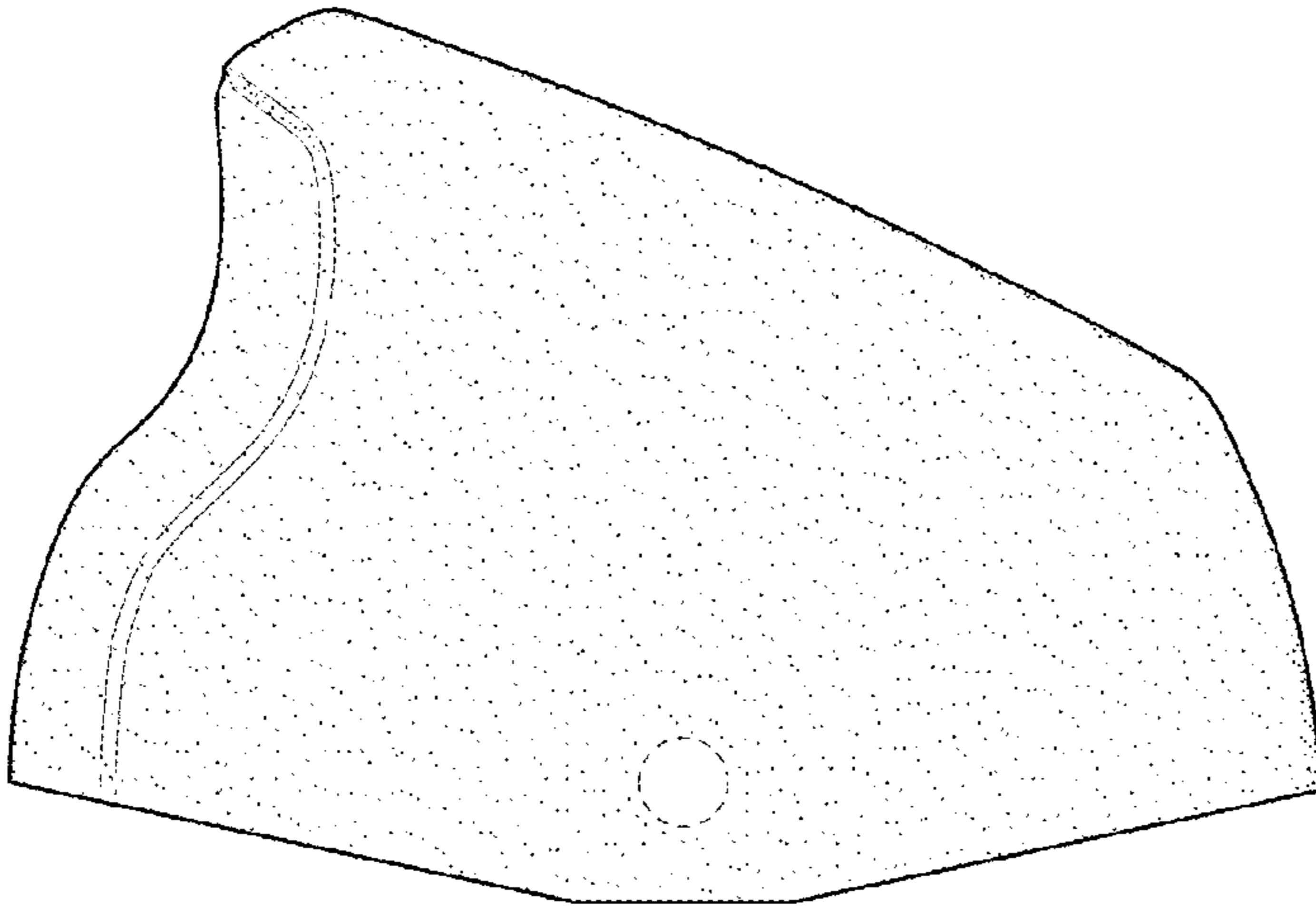
***FIG. 2***



**FIG. 3**

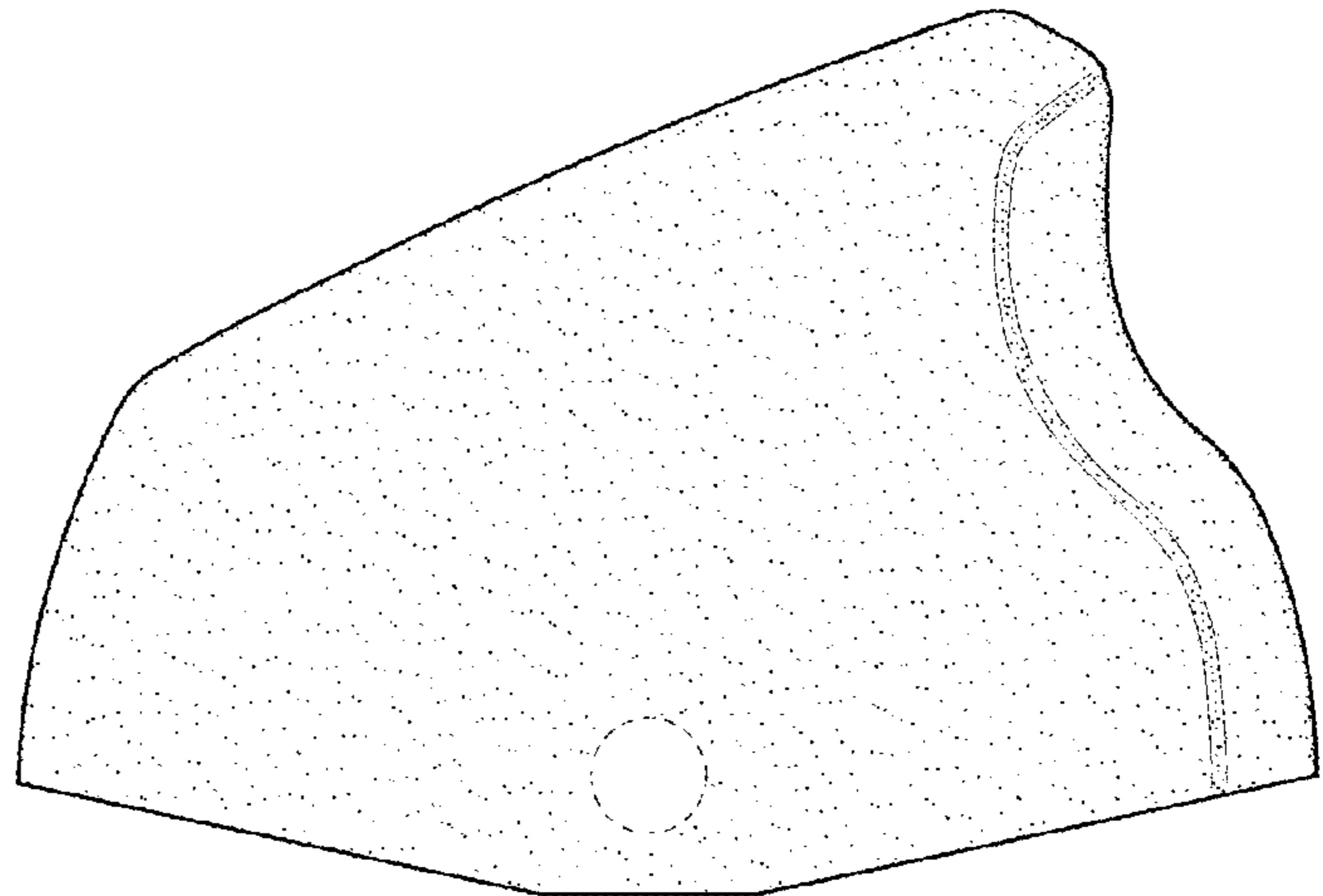


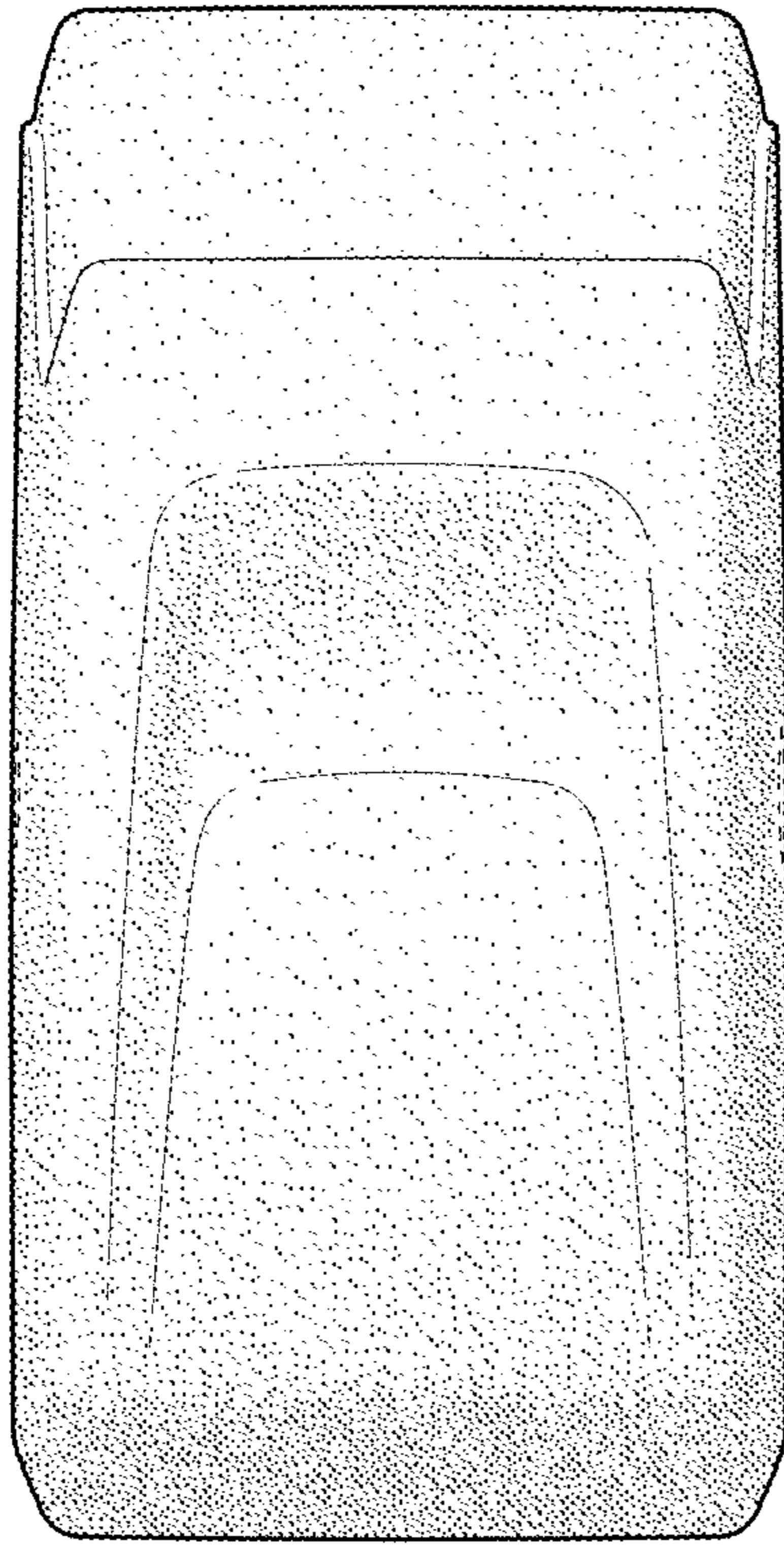
**FIG. 4**



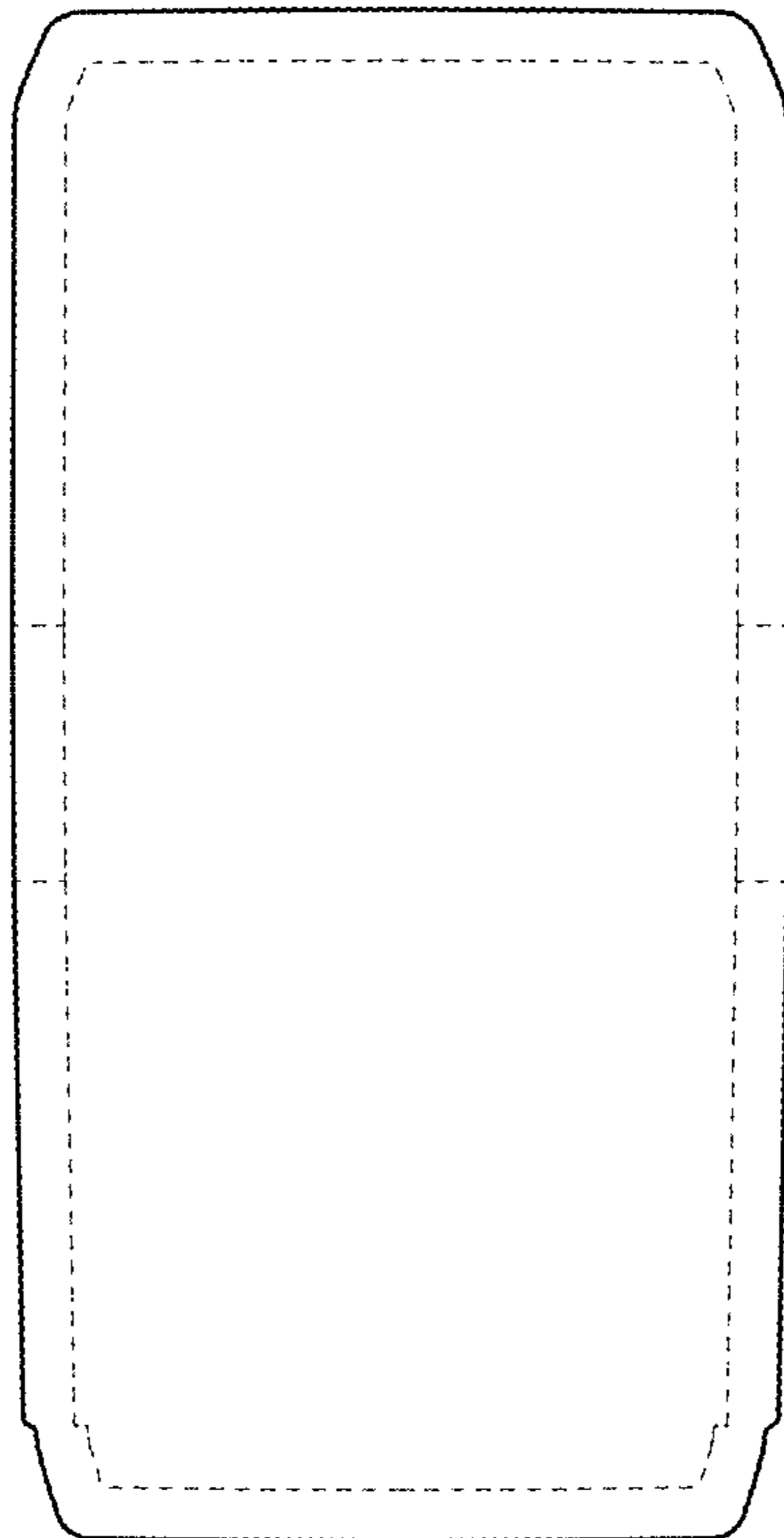
**FIG. 5**

**FIG. 6**





***FIG. 7***



***FIG. 8***