



US00D963598S

(12) **United States Design Patent**
Ma et al.

(10) **Patent No.:** **US D963,598 S**
(45) **Date of Patent:** **** Sep. 13, 2022**

(54) **FLAT SWITCH MODULE**

DESCRIPTION

(71) Applicant: **SCHNEIDER ELECTRIC (AUSTRALIA) PTY LTD**, Macquarie Park (AU)

(72) Inventors: **Zhen Ma**, Shenzhen (CN); **Fuhua Shan**, Shenzhen (CN); **Dahai Zhang**, Shenzhen (CN)

(73) Assignee: **Schneider Electric (Australia) PTY LTD**, Macquarie Park (AU)

(**) Term: **15 Years**

(21) Appl. No.: **29/806,942**

(22) Filed: **Sep. 8, 2021**

Related U.S. Application Data

(60) Division of application No. 29/668,154, filed on Oct. 29, 2018, now Pat. No. Des. 939,455, which is a (Continued)

(51) **LOC (13) Cl.** **13-03**

(52) **U.S. Cl.**
USPC **D13/169**

(58) **Field of Classification Search**
USPC D13/162, 168, 169, 173, 174 (Continued)

(56) **References Cited**

U.S. PATENT DOCUMENTS

D204,941 S 5/1966 Wu et al.
5,696,350 A * 12/1997 Anker H02G 3/14
220/241

(Continued)

Primary Examiner — Selina Sikder

(74) *Attorney, Agent, or Firm* — Locke Lord LLP

(57) **CLAIM**

The ornamental design for a flat switch module, as shown and described.

FIG. 1 is a front view showing the OFF status of a flat switch module of the first embodiment.

FIG. 2 is a right side view of the flat switch module in FIG. 1.

FIG. 3 is a left side view of the flat switch module in FIG. 1.

FIG. 4 is a top view of the flat switch module in FIG. 1.

FIG. 5 is a bottom view of the flat switch module in FIG. 1.

FIG. 6 is a perspective view of the flat switch module in FIG. 1.

FIG. 7 is a front view showing the ON status of the flat switch module of the first embodiment.

FIG. 8 is a right side view of the flat switch module in FIG. 7.

FIG. 9 is a left side view of the flat switch module in FIG. 7.

FIG. 10 is a top view of the flat switch module in FIG. 7.

FIG. 11 is a bottom view of the flat switch module in FIG. 7.

FIG. 12 is a perspective view of the flat switch module in FIG. 7.

FIG. 13 is a front view showing the OFF status of a flat switch module of the second embodiment.

FIG. 14 is a right side view of the flat switch module in FIG. 13.

FIG. 15 is a left side view of the flat switch module in FIG. 13.

FIG. 16 is a top view of the flat switch module in FIG. 13.

FIG. 17 is a bottom view of the flat switch module in FIG. 13.

FIG. 18 is a perspective view of the flat switch module in FIG. 13.

FIG. 19 is a front view showing the ON status of the flat switch module of the second embodiment.

FIG. 20 is a right side view of the flat switch module in FIG. 19.

FIG. 21 is a left side view of the flat switch module in FIG. 19.

FIG. 22 is a top view of the flat switch module in FIG. 19.

FIG. 23 is a bottom view of the flat switch module in FIG. 19.

(Continued)

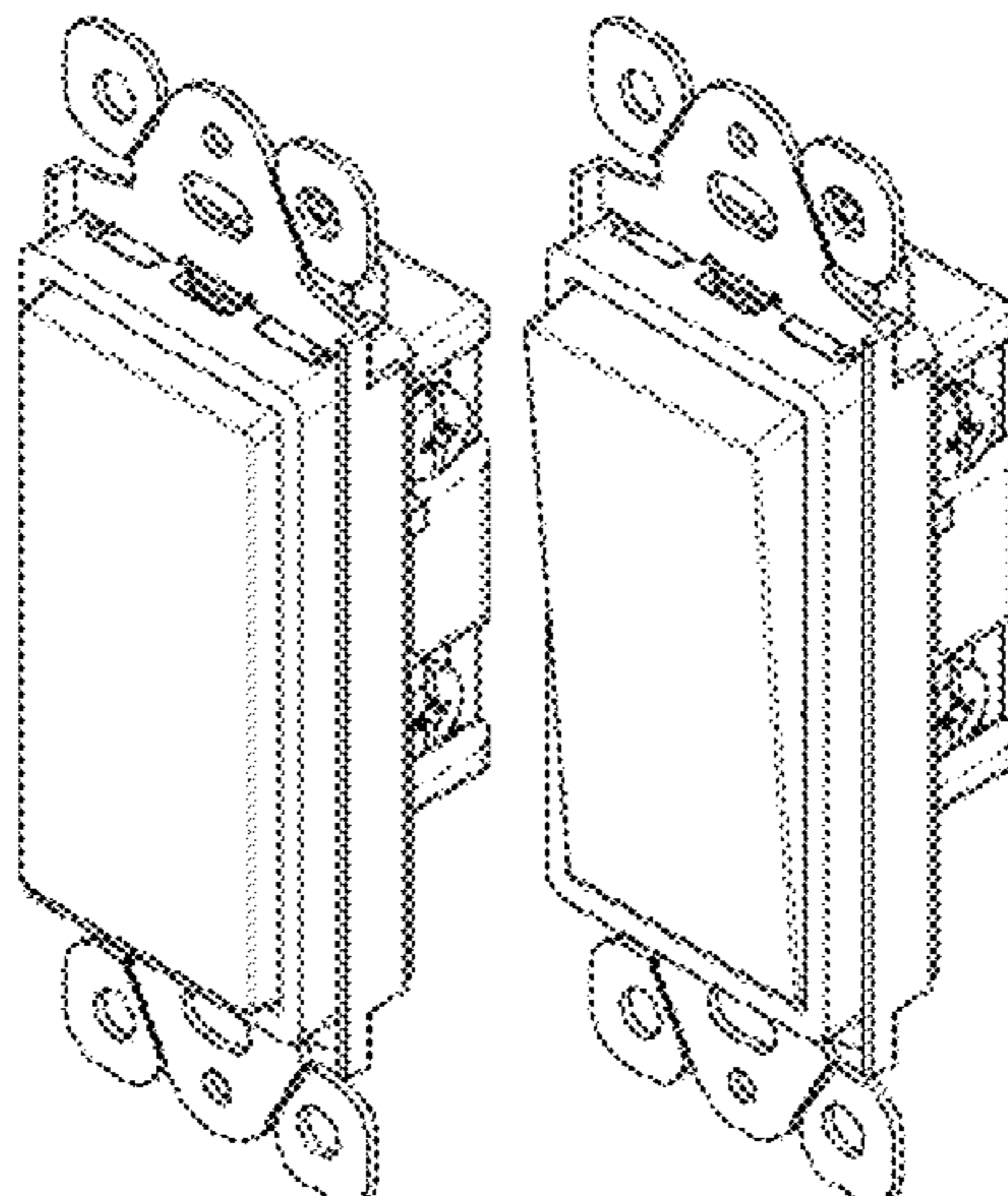


FIG. 24 is a perspective view of the flat switch module in FIG. 19.

FIG. 25 is a front view showing the OFF status of a flat switch module of the third embodiment.

FIG. 26 is a right side view of the flat switch module in FIG. 25.

FIG. 27 is a left side view of the flat switch module in FIG. 25.

FIG. 28 is a top view of the flat switch module in FIG. 25.

FIG. 29 is a bottom view of the flat switch module in FIG. 25.

FIG. 30 is a perspective view of the flat switch module in FIG. 25.

FIG. 31 is a front view showing the ON status of the flat switch module of the third embodiment.

FIG. 32 is a right side view of the flat switch module in FIG. 31.

FIG. 33 is a left side view of the flat switch module in FIG. 31.

FIG. 34 is a top view of the flat switch module in FIG. 31.

FIG. 35 is a bottom view of the flat switch module in FIG. 31; and,

FIG. 36 is a perspective view of the flat switch module in FIG. 31.

The broken line showing of the flat switch module is for illustrative purpose only and forms no part of the claimed design.

1 Claim, 30 Drawing Sheets

Related U.S. Application Data

continuation-in-part of application No. 29/666,753, filed on Oct. 16, 2018, now abandoned.

(58) **Field of Classification Search**

CPC H01H 9/02; H01H 9/0271; H01H 9/16; H01H 9/18; H01H 9/161; H01H 9/181; H01H 9/182; H01H 13/04; H01H 13/14;

H01H 13/20; H01H 13/30; H01H 19/635; H01H 83/02; H01H 83/04; H01H 83/144; H01H 23/00; H01H 23/02; H01H 23/025; H01H 23/04; H01H 23/145; H01H 23/148; H01H 23/205; H01H 23/30

See application file for complete search history.

(56)

References Cited

U.S. PATENT DOCUMENTS

| | | | | |
|--------------|------|---------|---------------------|------------------------|
| 5,895,888 | A | 4/1999 | Arenas et al. | |
| 6,657,144 | B2 * | 12/2003 | Savicki, Jr. | H01H 23/04 174/53 |
| 7,030,318 | B2 * | 4/2006 | Tufano | H02G 3/14 174/67 |
| 7,071,414 | B2 * | 7/2006 | Kim | H02G 3/14 174/67 |
| D534,875 | S | 1/2007 | Wu | |
| D576,566 | S | 9/2008 | Wu et al. | |
| 7,482,534 | B2 | 1/2009 | Ye | |
| 7,586,718 | B1 * | 9/2009 | Radosavljevic | H01H 71/04 361/42 |
| D609,650 | S | 2/2010 | Chou et al. | |
| 8,658,893 | B1 * | 2/2014 | Shotey | H01H 23/04 174/53 |
| D830,976 | S | 10/2018 | Liao et al. | |
| D830,977 | S | 10/2018 | Liao et al. | |
| 10,141,144 | B2 * | 11/2018 | Zhuang | H01H 50/44 |
| D837,167 | S * | 1/2019 | Zheng | D13/169 |
| D859,328 | S | 9/2019 | Gutierrez | |
| D924,183 | S * | 7/2021 | Dibartolo | D13/169 |
| D925,469 | S * | 7/2021 | Fu | D13/162 |
| D939,455 | S * | 12/2021 | Ma | D13/169 |
| 2005/0115818 | A1 | 6/2005 | Kurek et al. | |
| 2007/0193863 | A1 | 8/2007 | Wu | |
| 2009/0167098 | A1 * | 7/2009 | Kalatizadeh | H03K 17/94 708/250 |
| 2011/0141647 | A1 * | 6/2011 | Garcia | H01H 23/145 361/166 |
| 2011/0259720 | A1 | 10/2011 | Wu et al. | |
| 2016/0020047 | A1 | 1/2016 | Hill | |
| 2020/0043683 | A1 | 2/2020 | Zhang et al. | |
| 2020/0126739 | A1 | 4/2020 | Shan et al. | |
| 2020/0211790 | A1 * | 7/2020 | Zhang | H02G 3/14 |

* cited by examiner

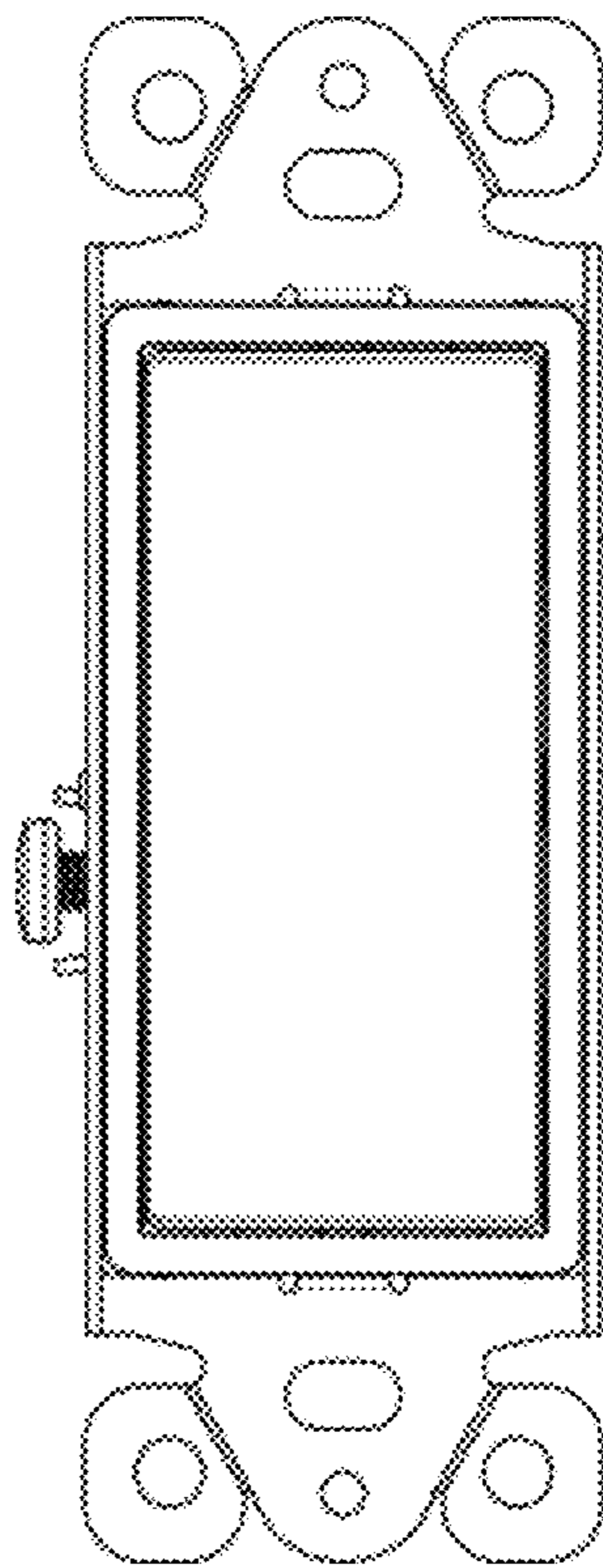


Fig. 1

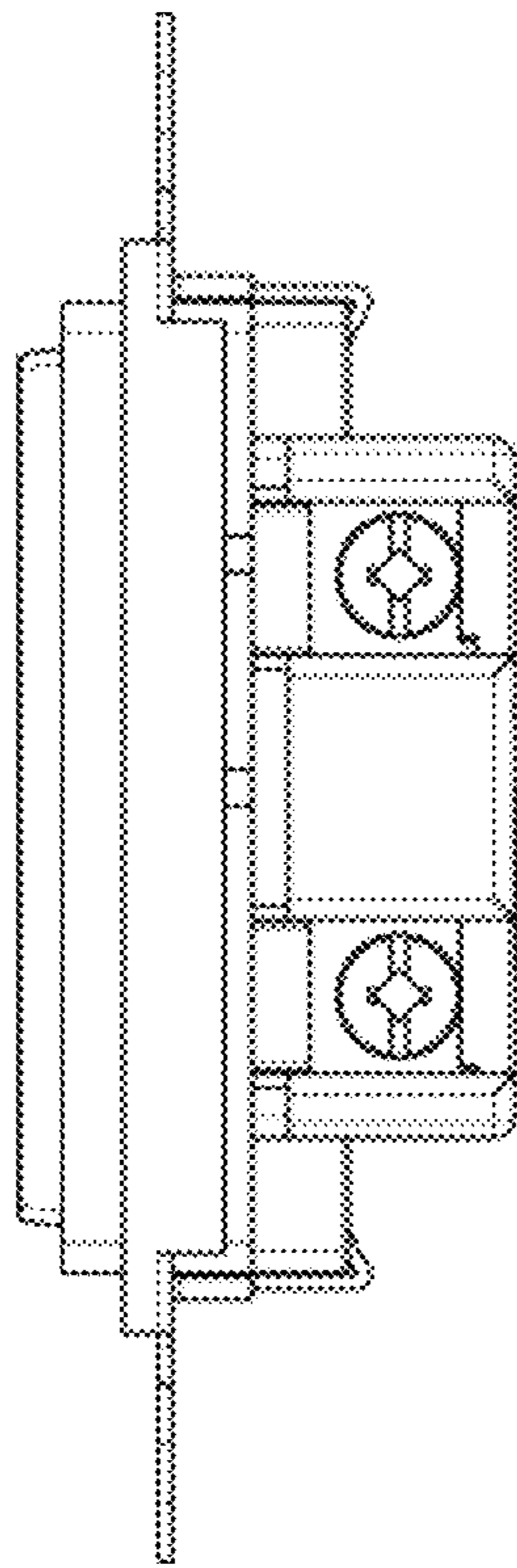


Fig. 2

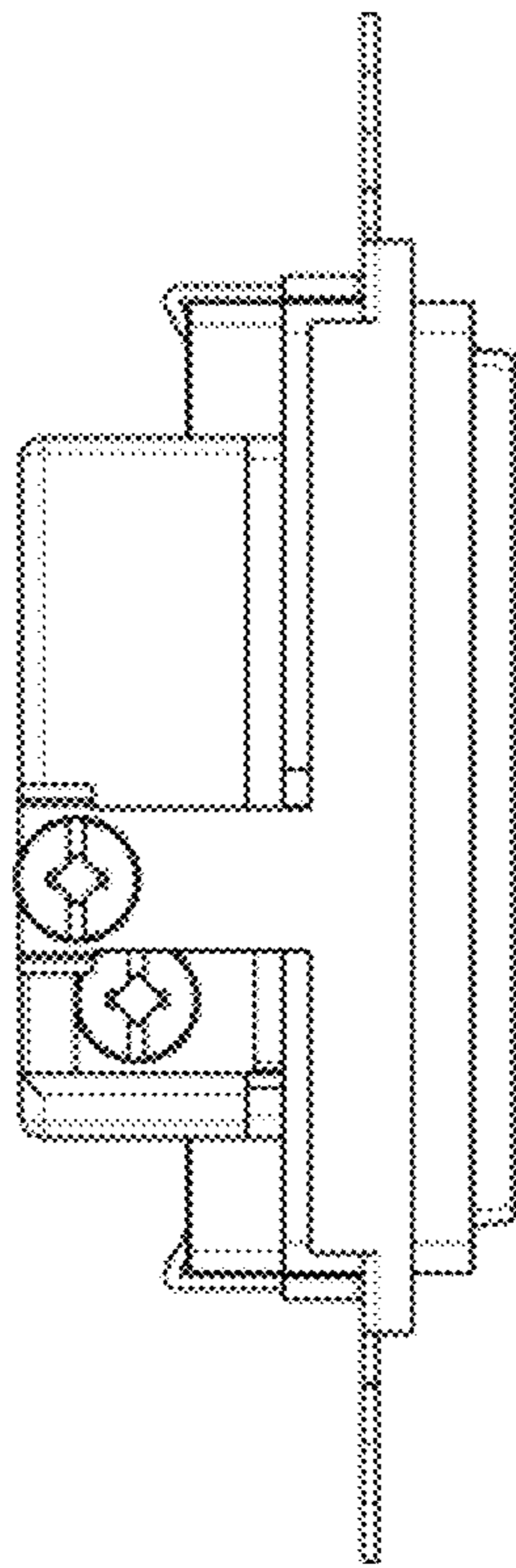


Fig. 3

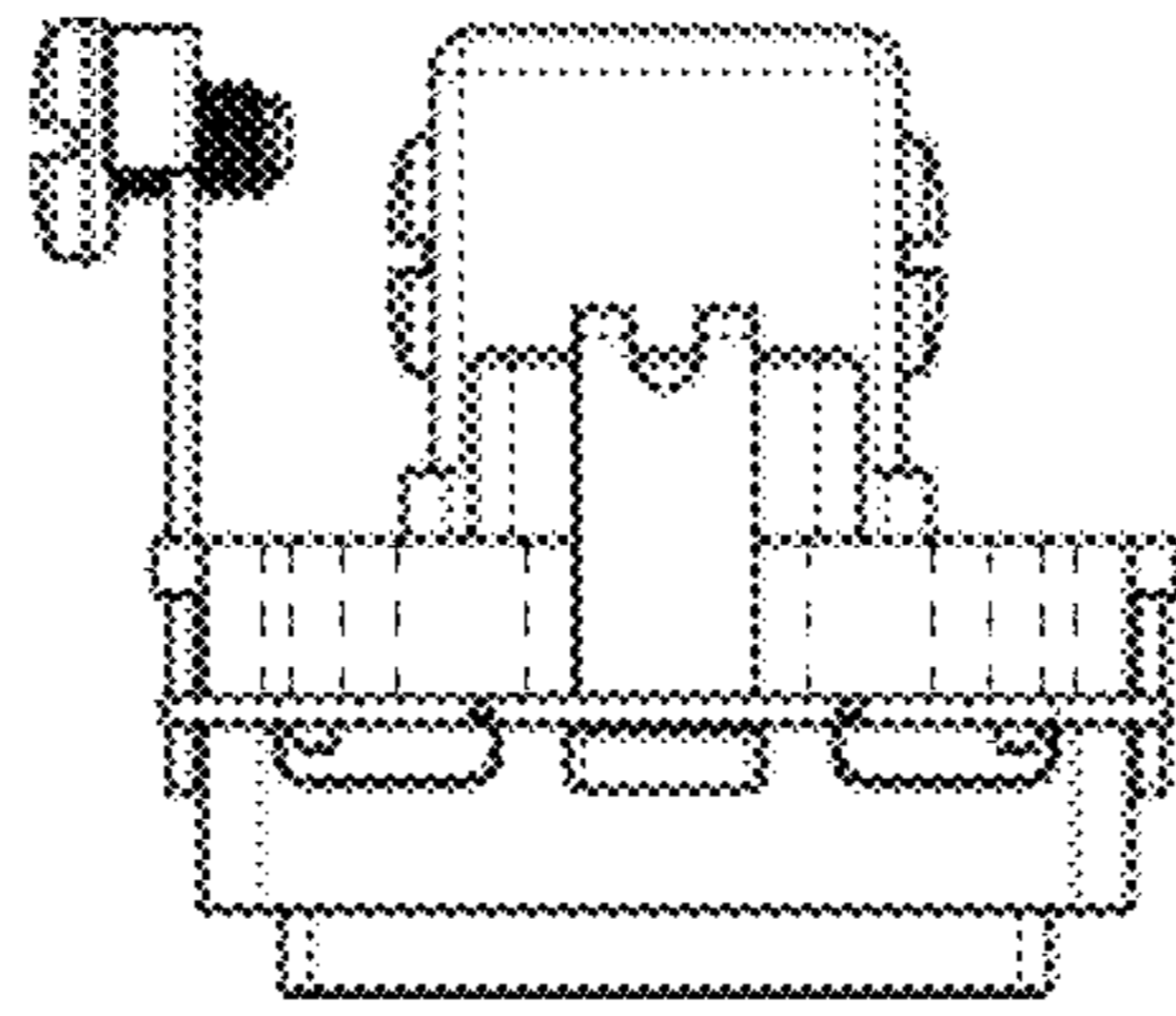


Fig. 4

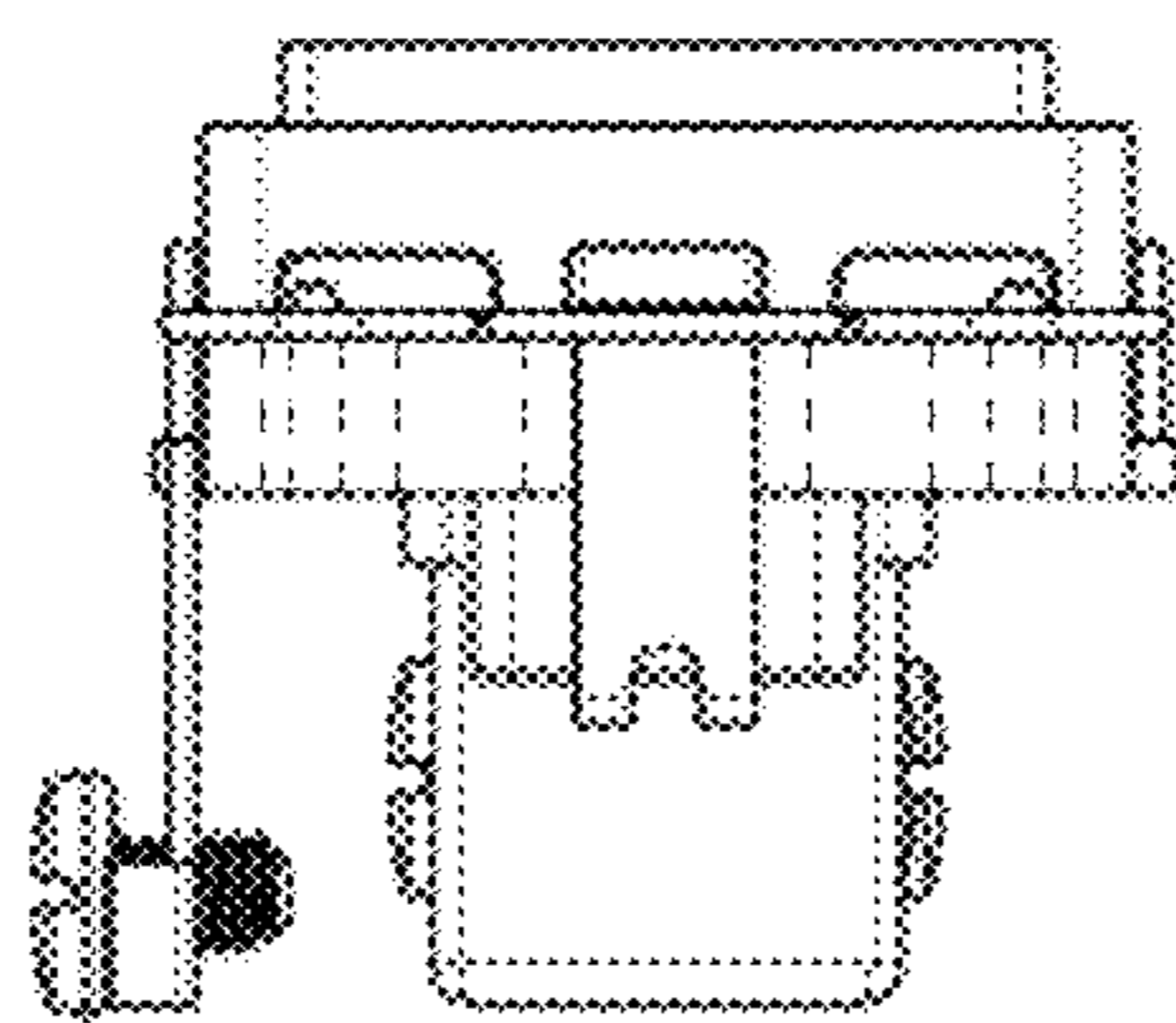


Fig. 5

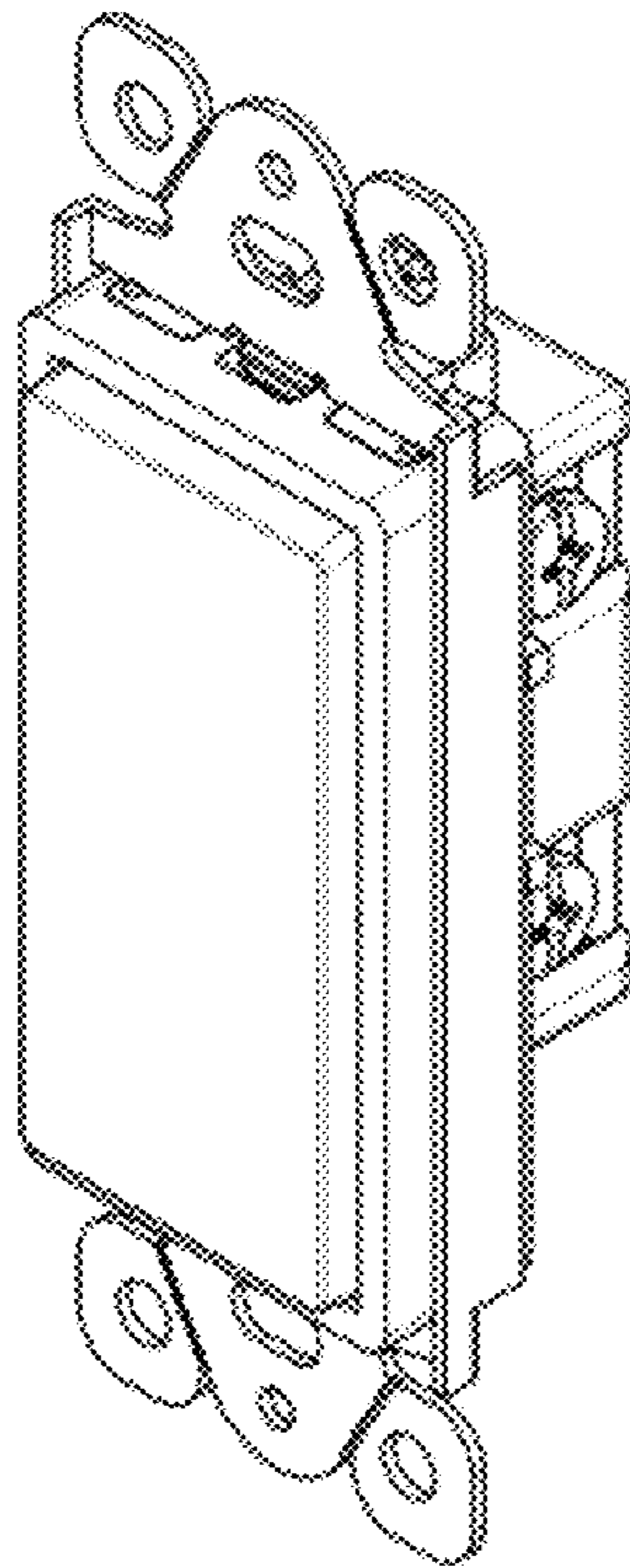


Fig. 6

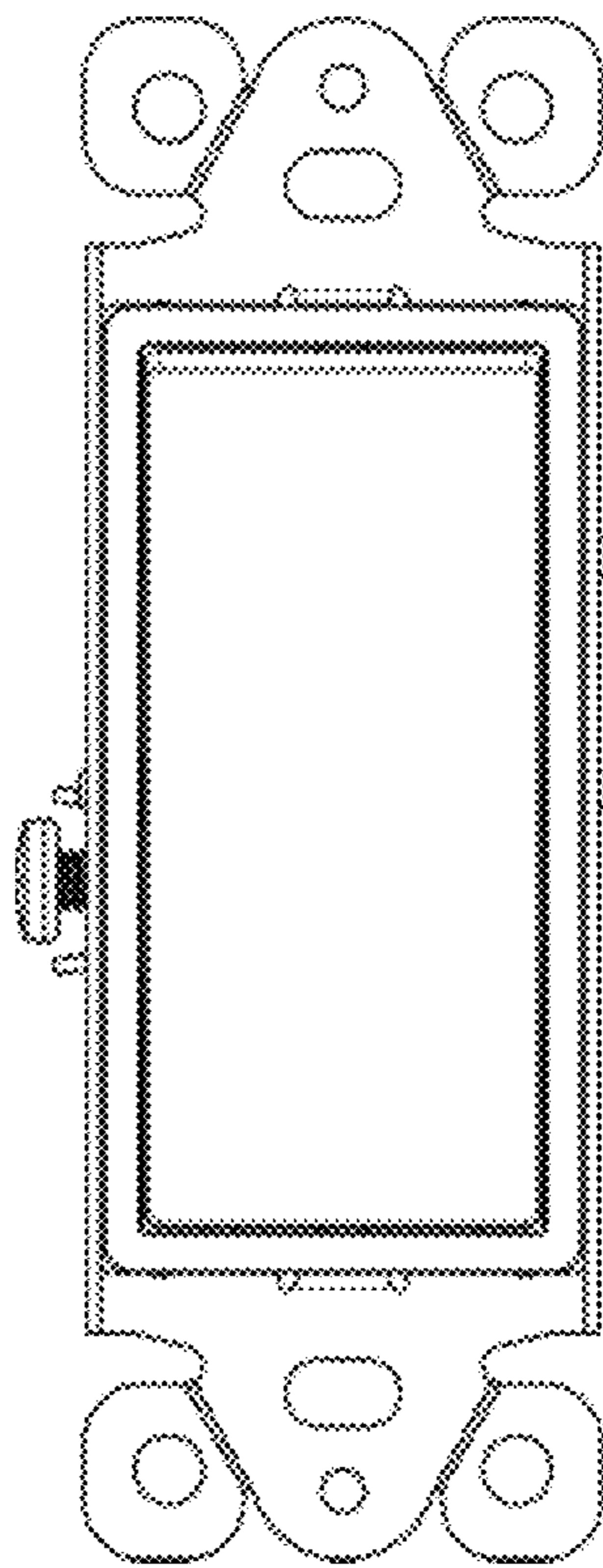


Fig. 7

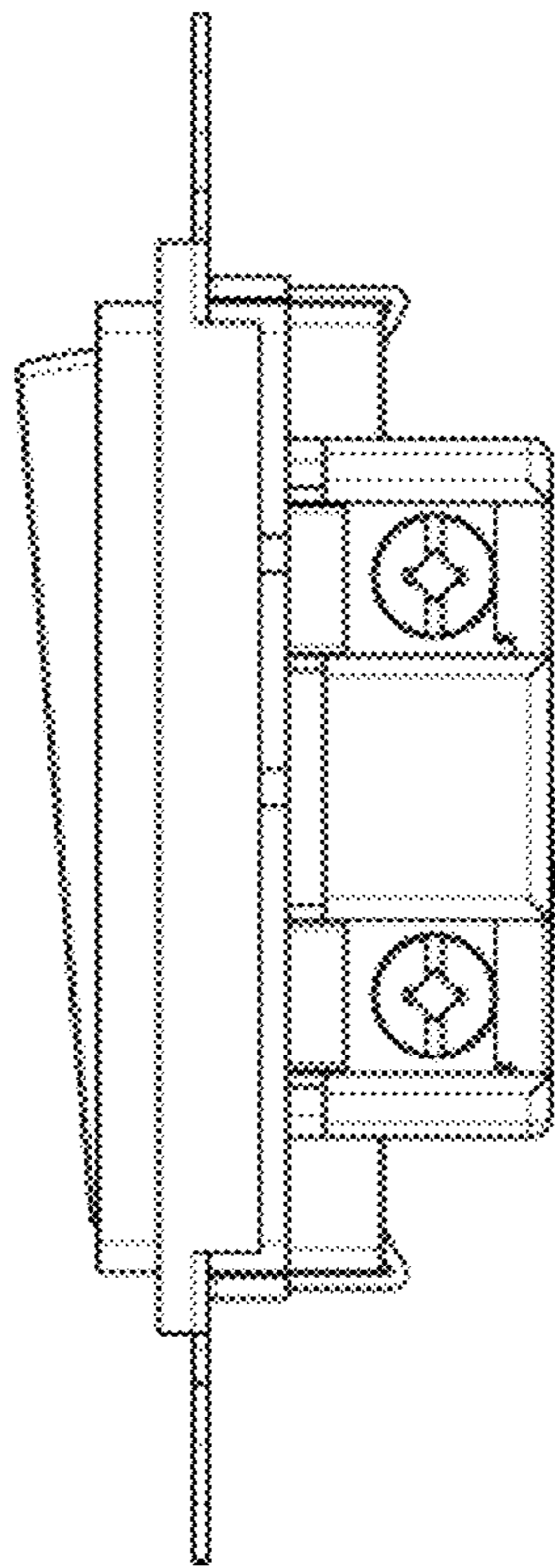


Fig. 8

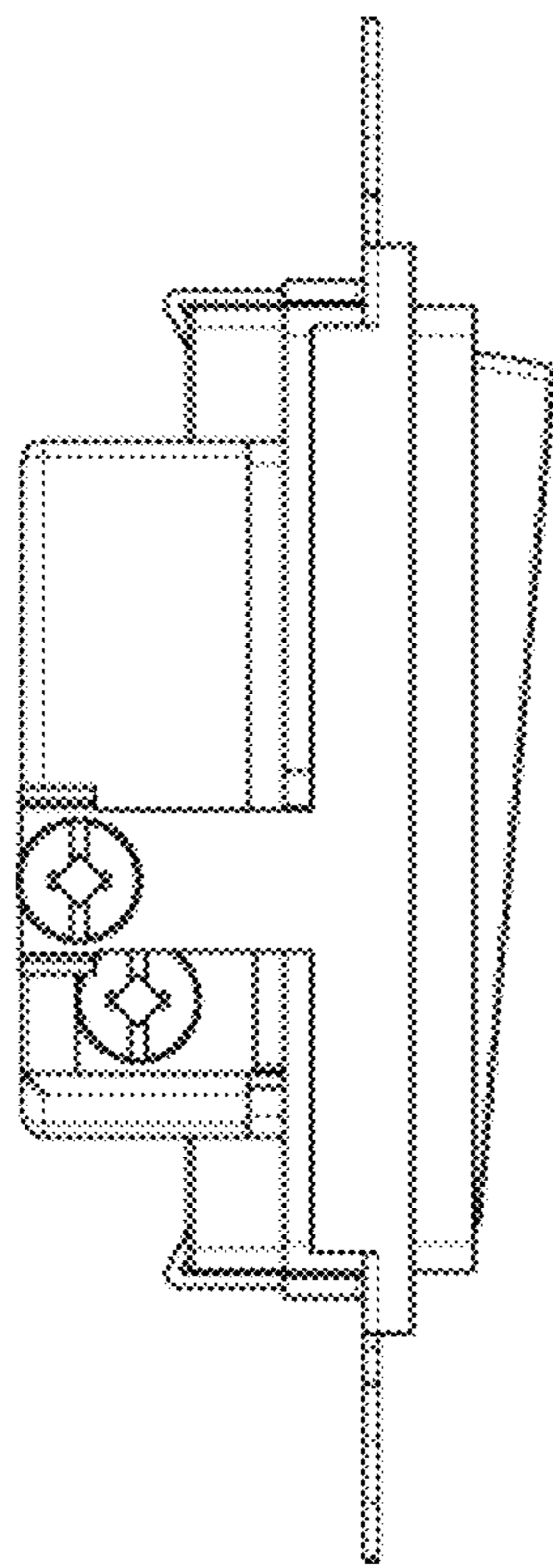


Fig. 9

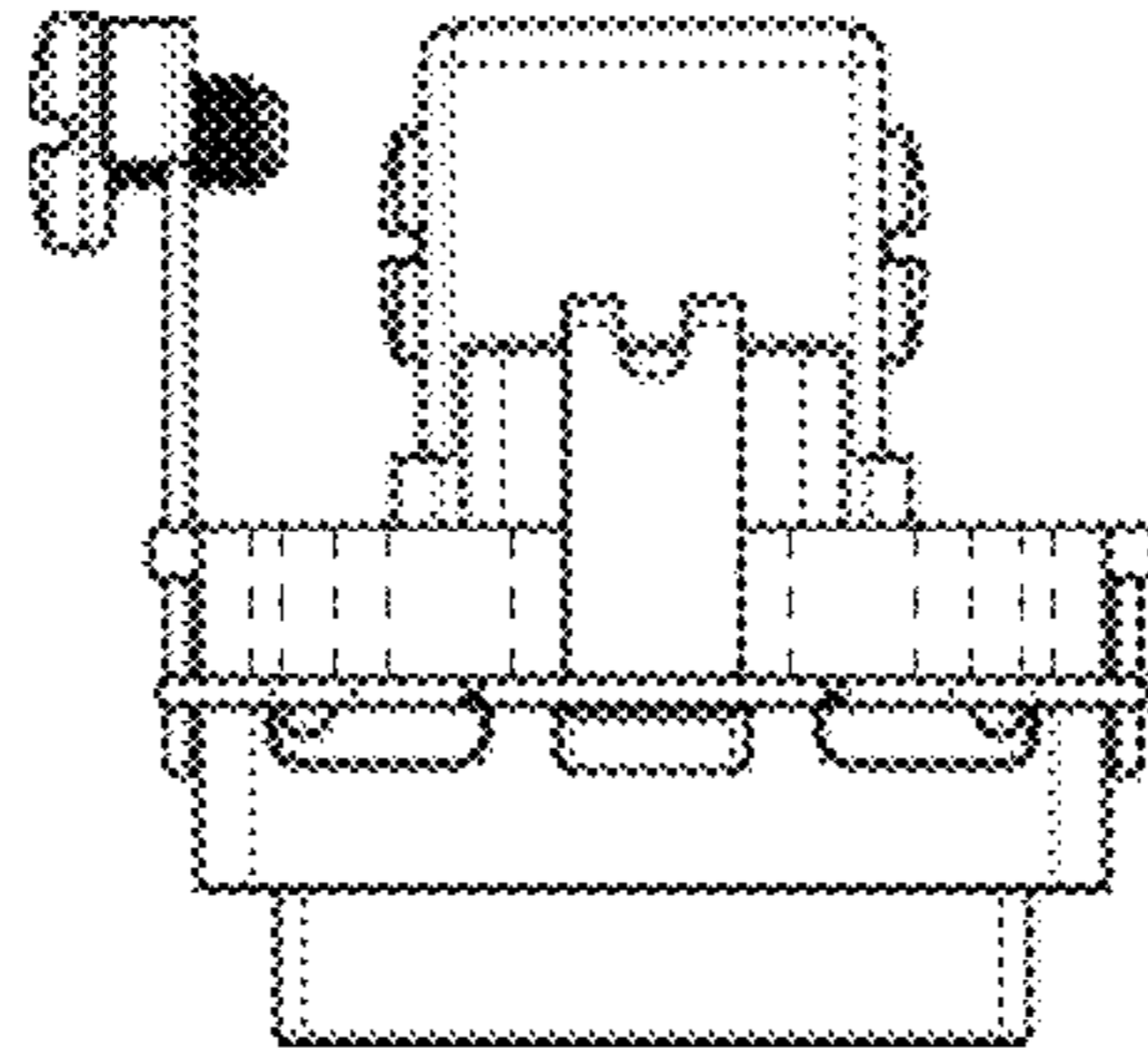


Fig. 10

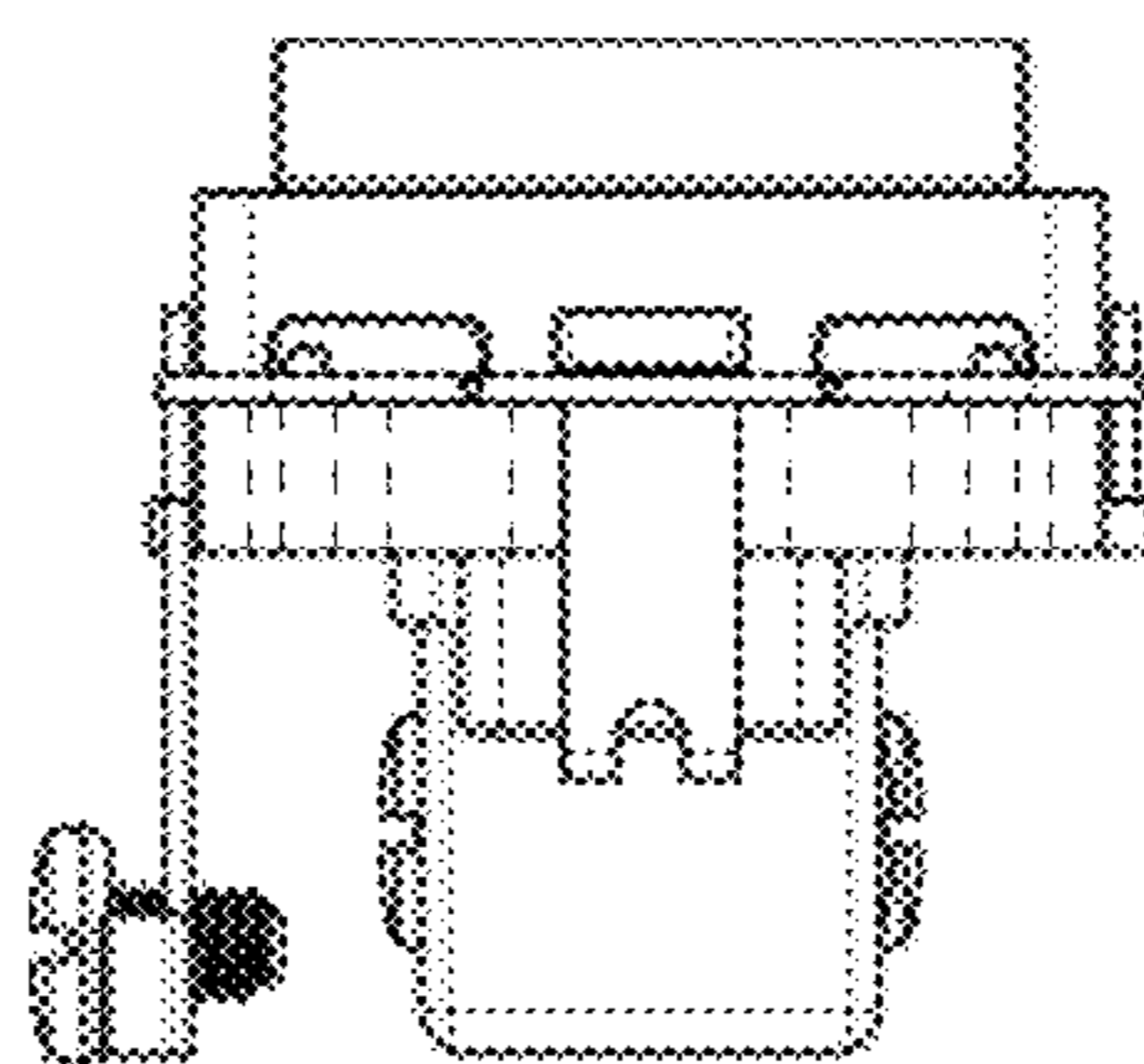


Fig. 11

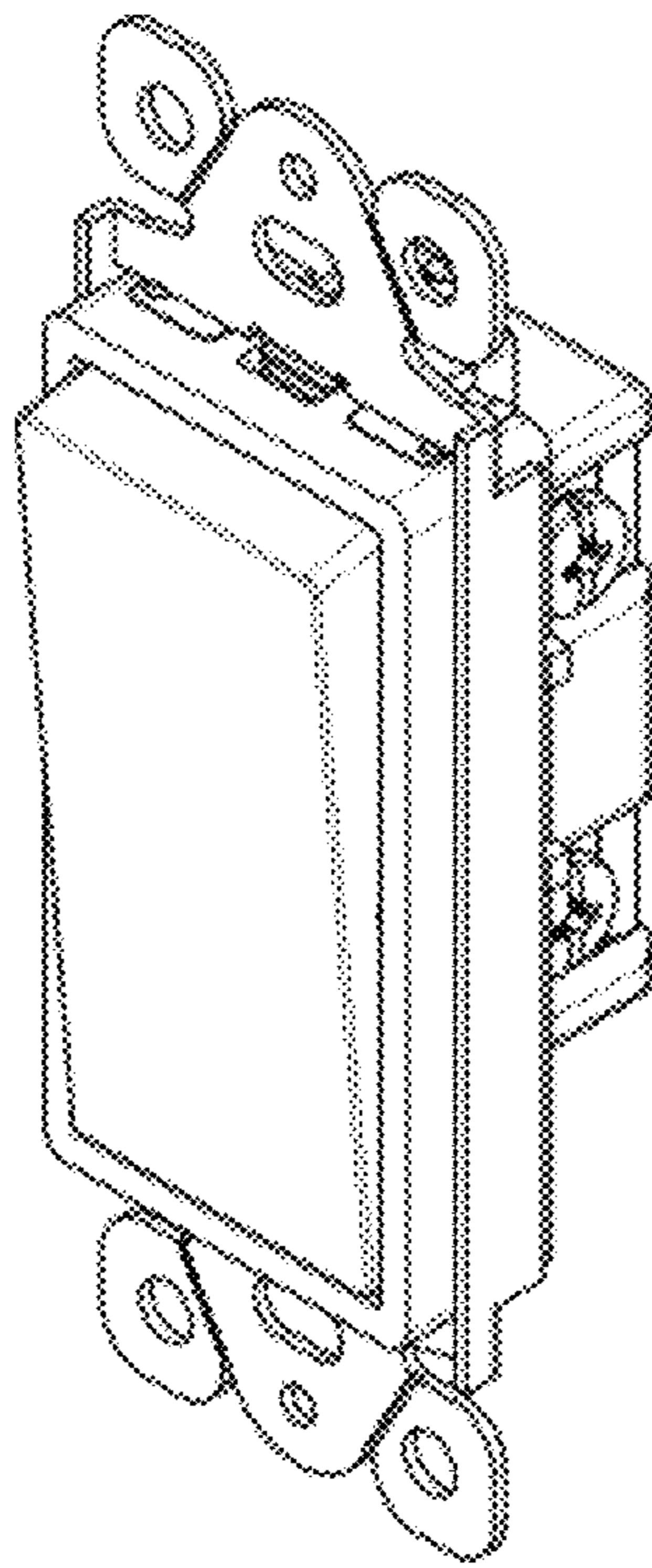


Fig. 12

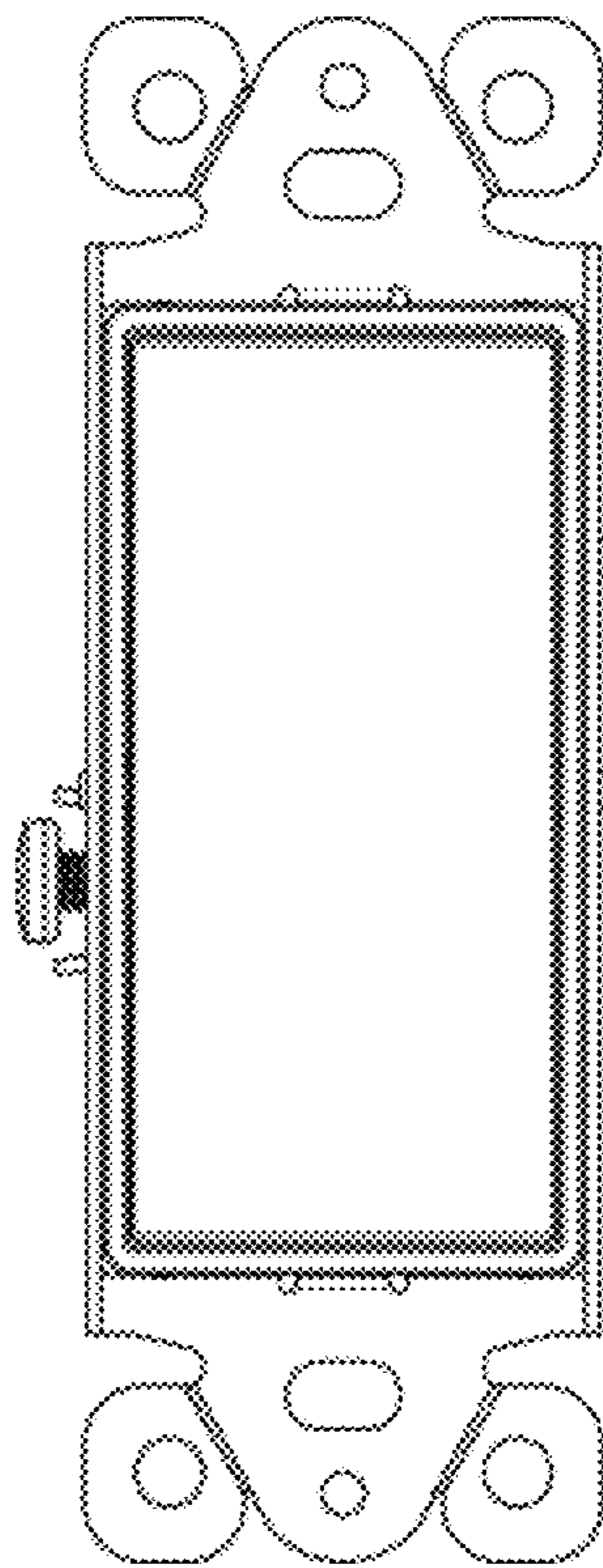


Fig. 13

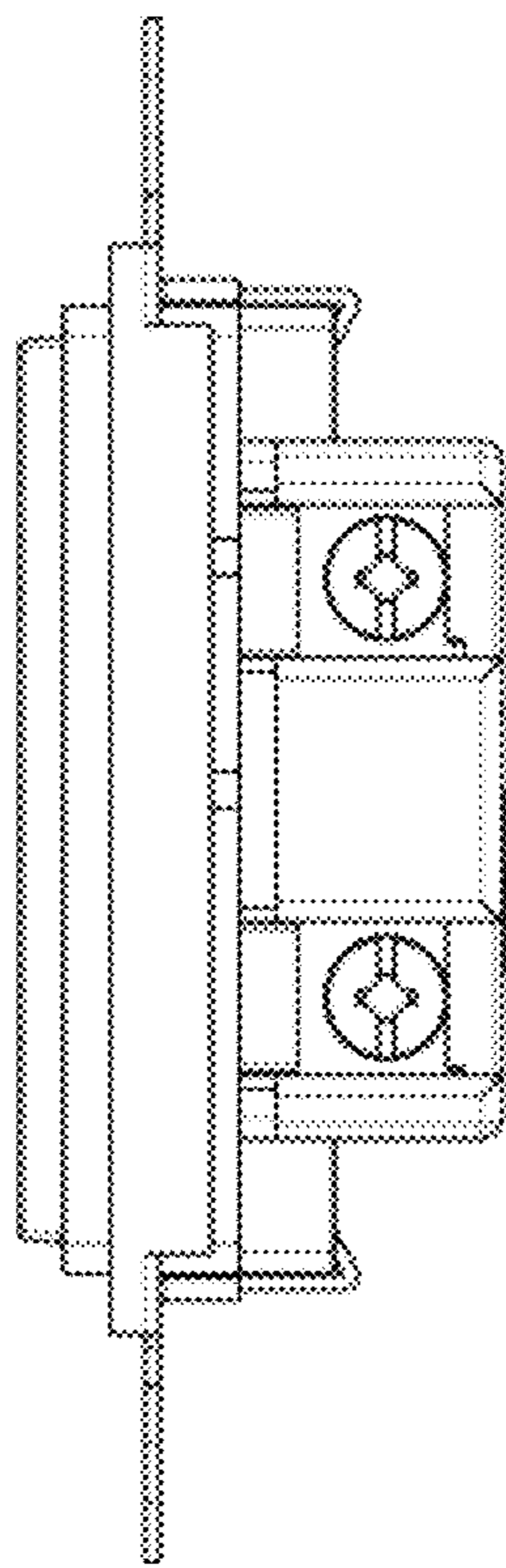


Fig. 14

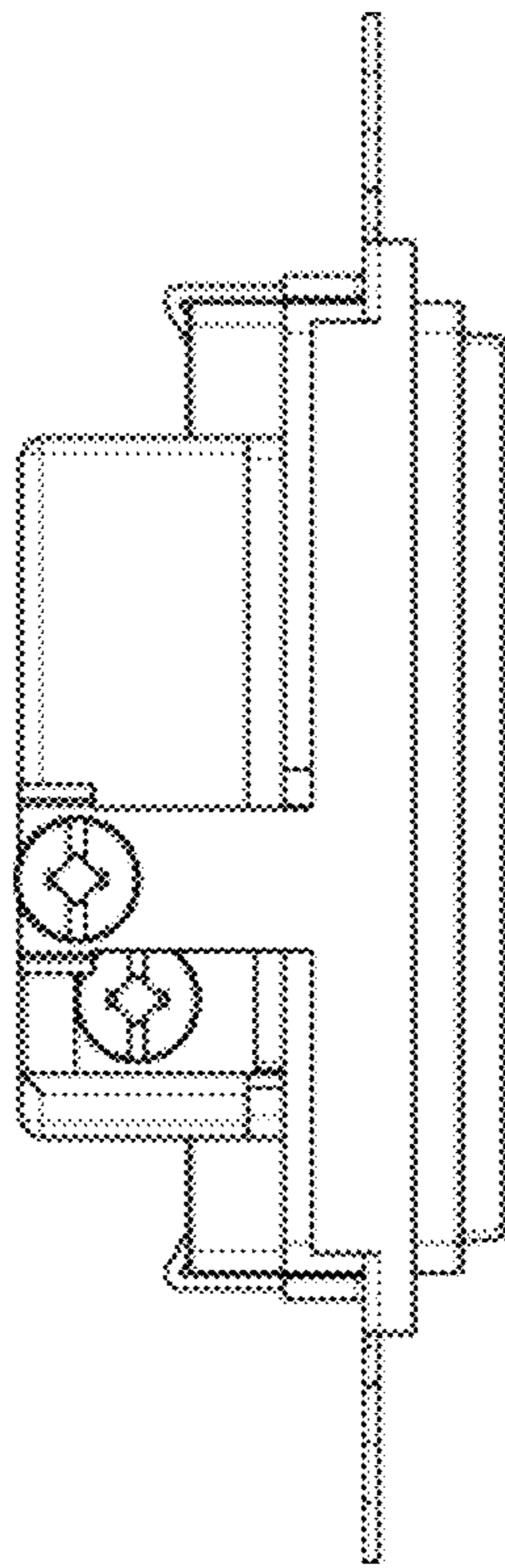


Fig. 15

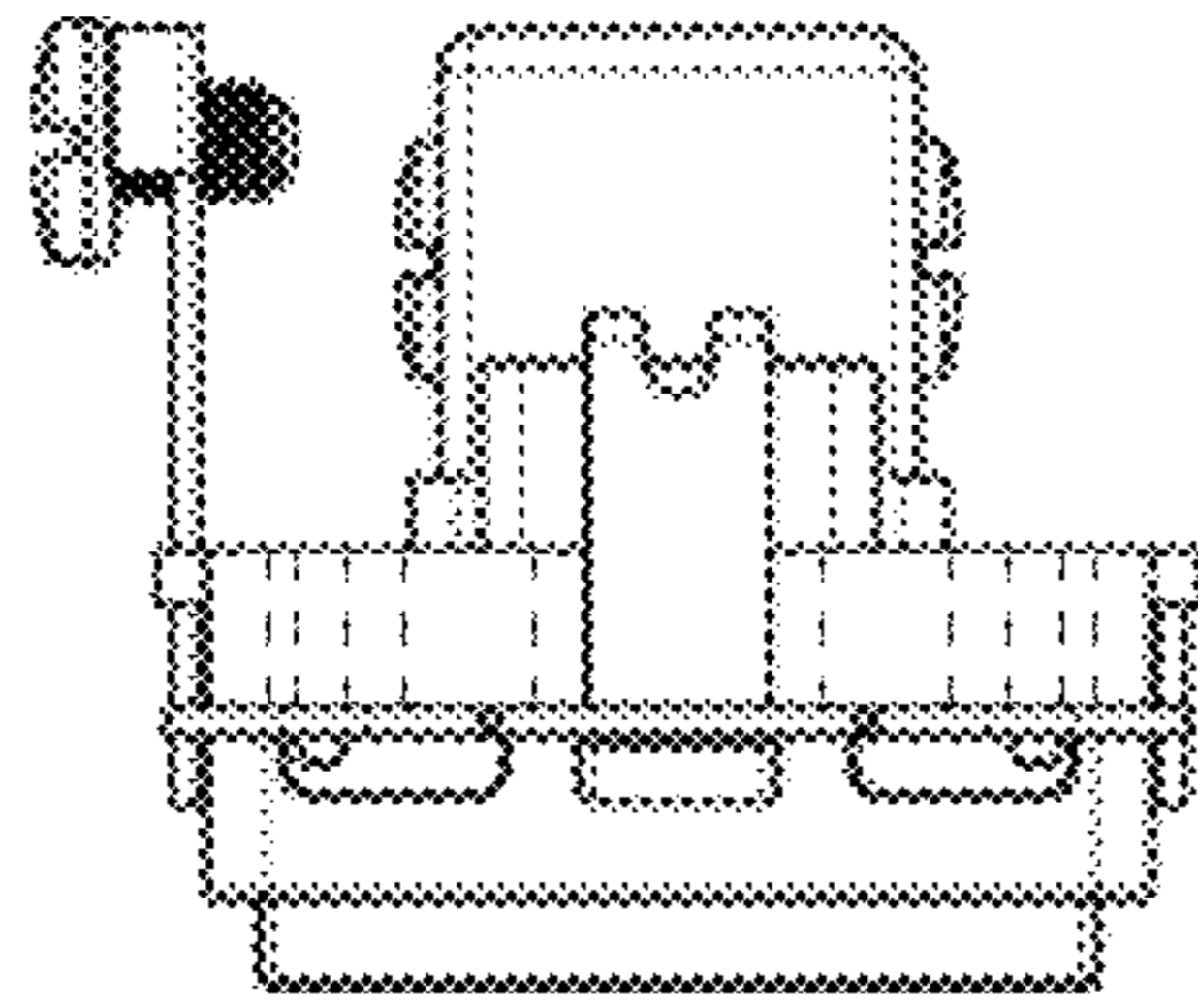


Fig. 16

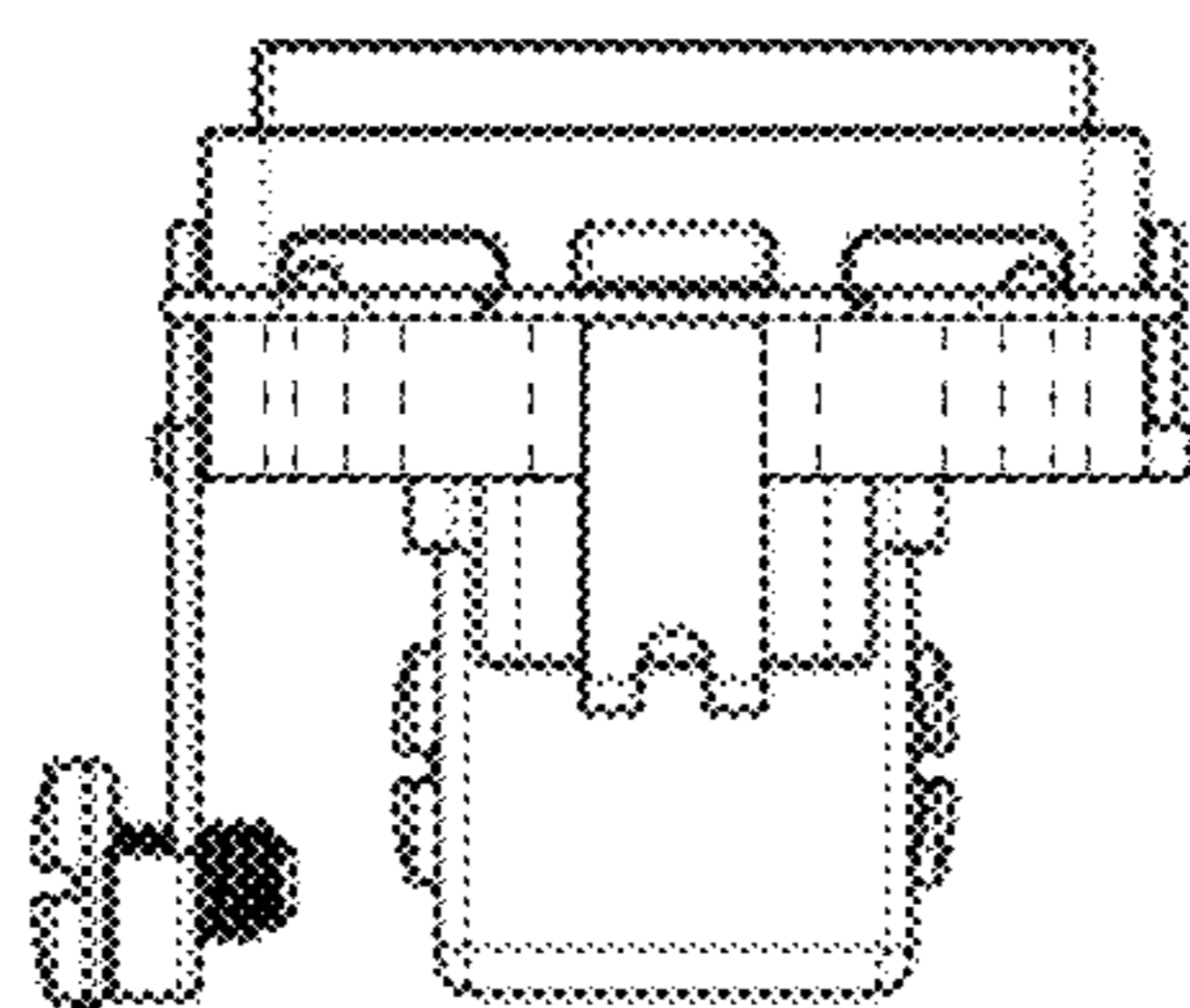


Fig. 17

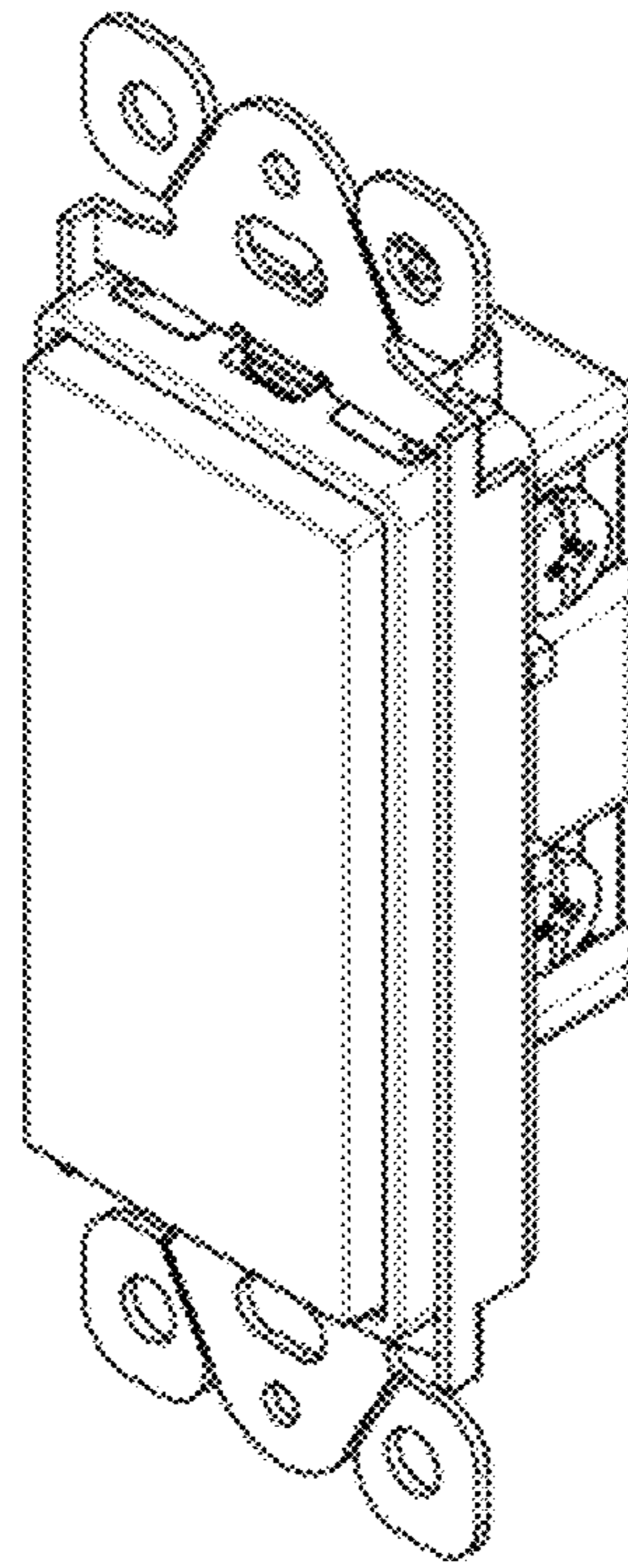


Fig. 18

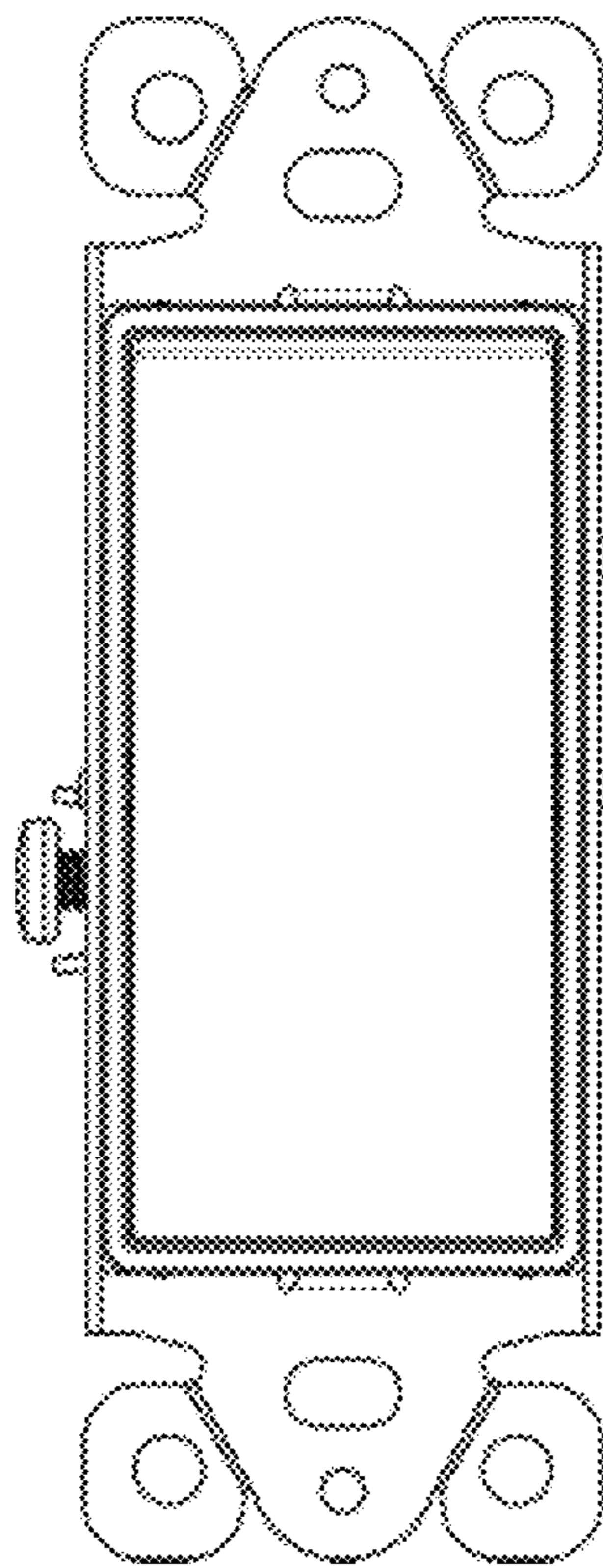


Fig. 19

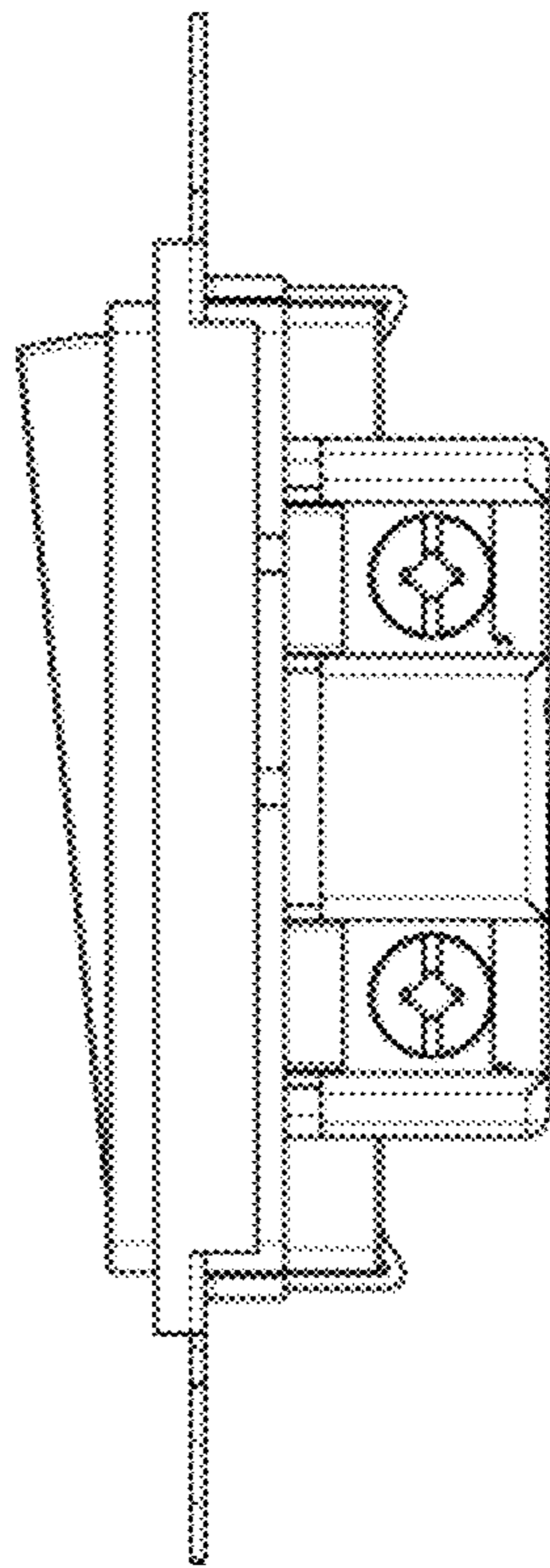


Fig. 20

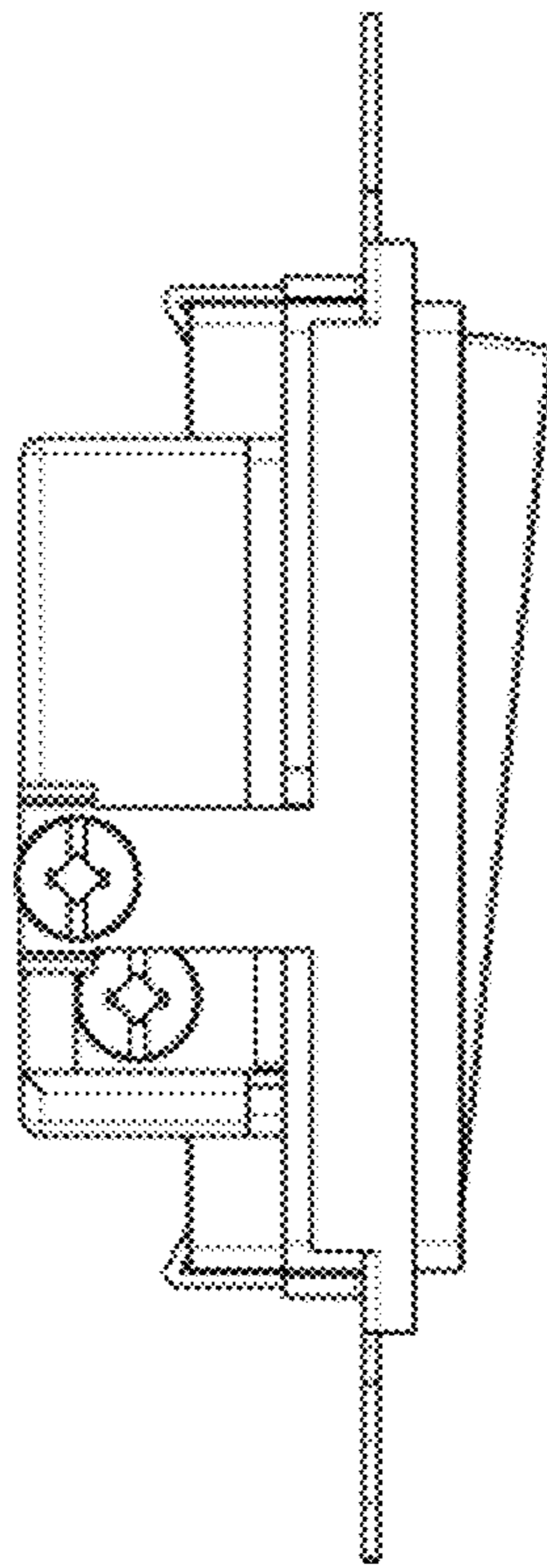


Fig. 21

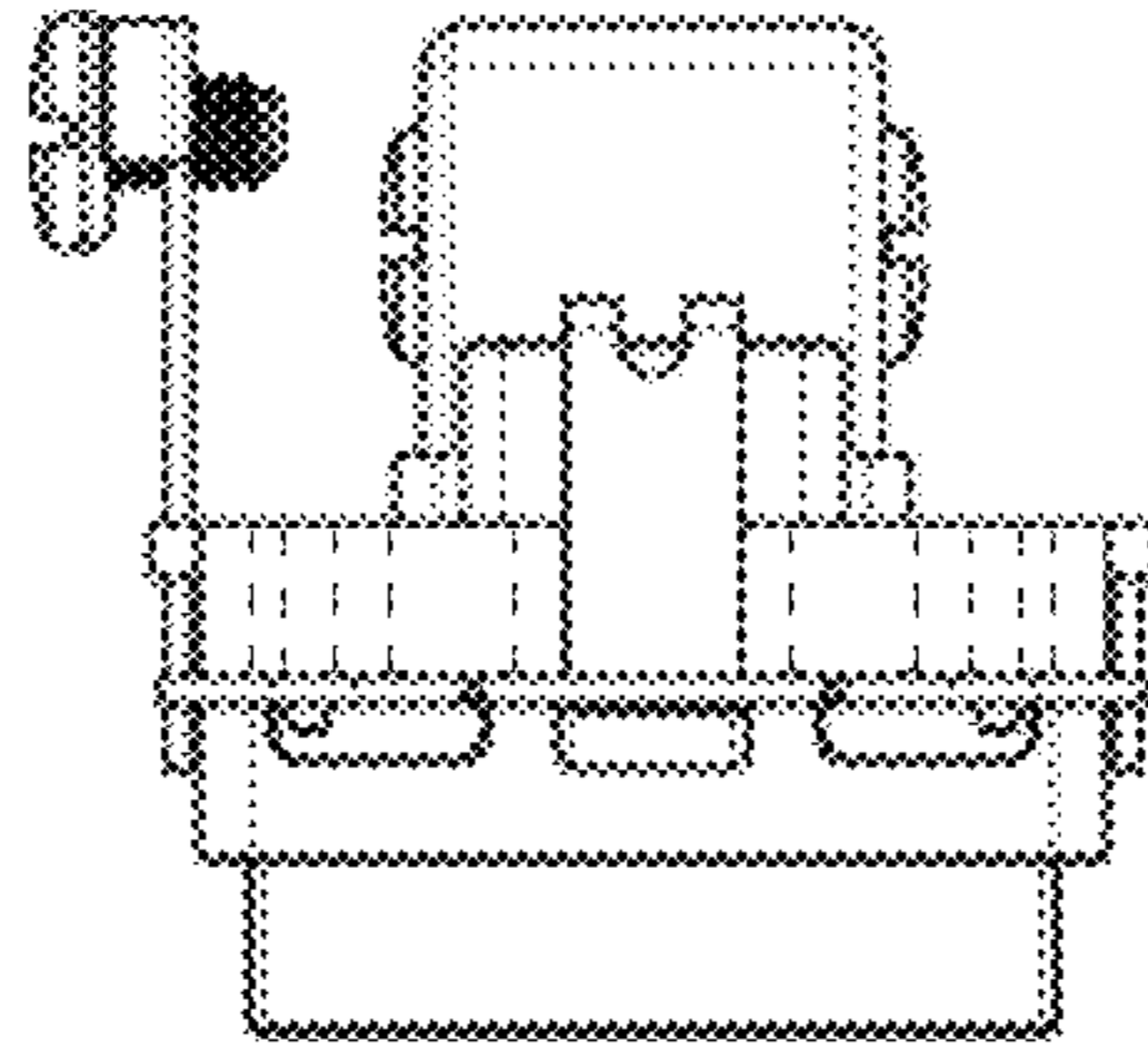


Fig. 22

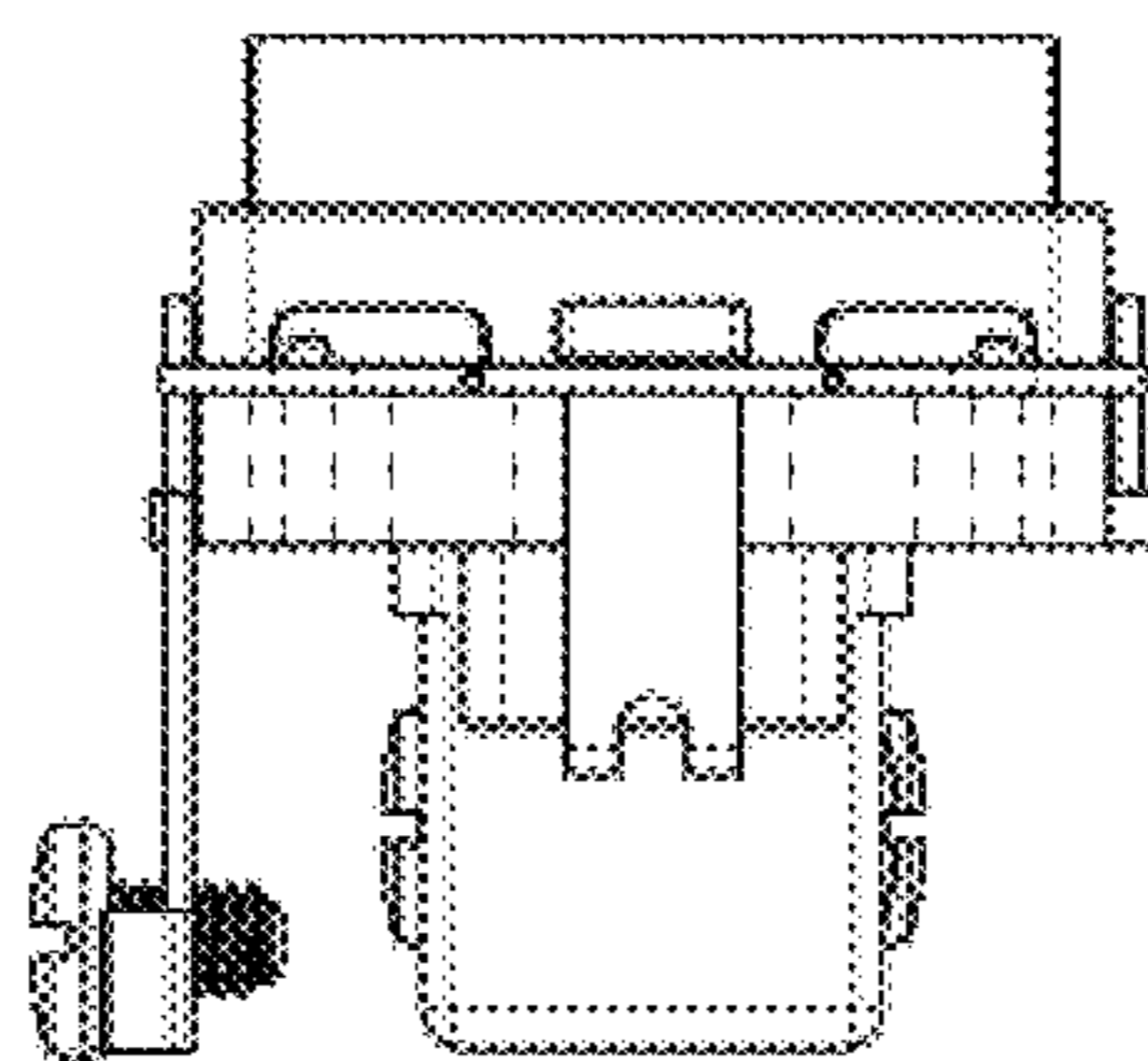


Fig. 23

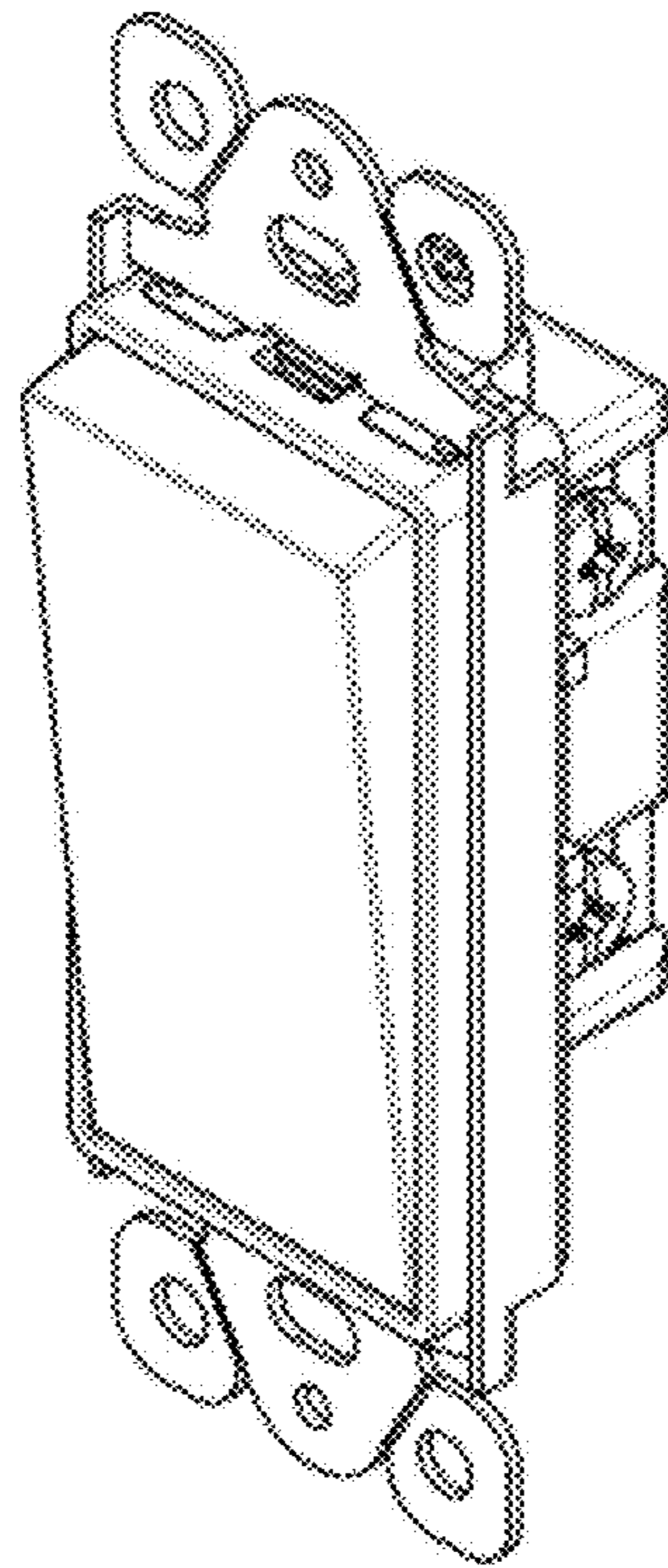


Fig. 24

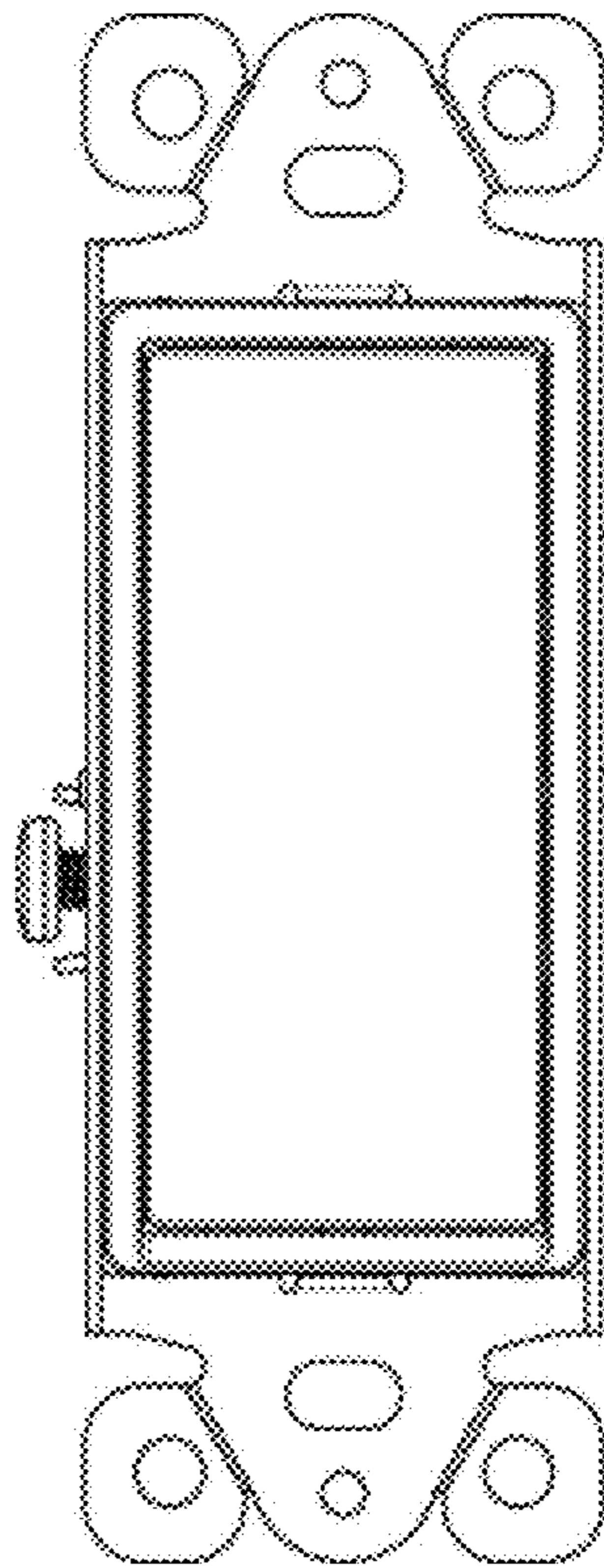


Fig. 25

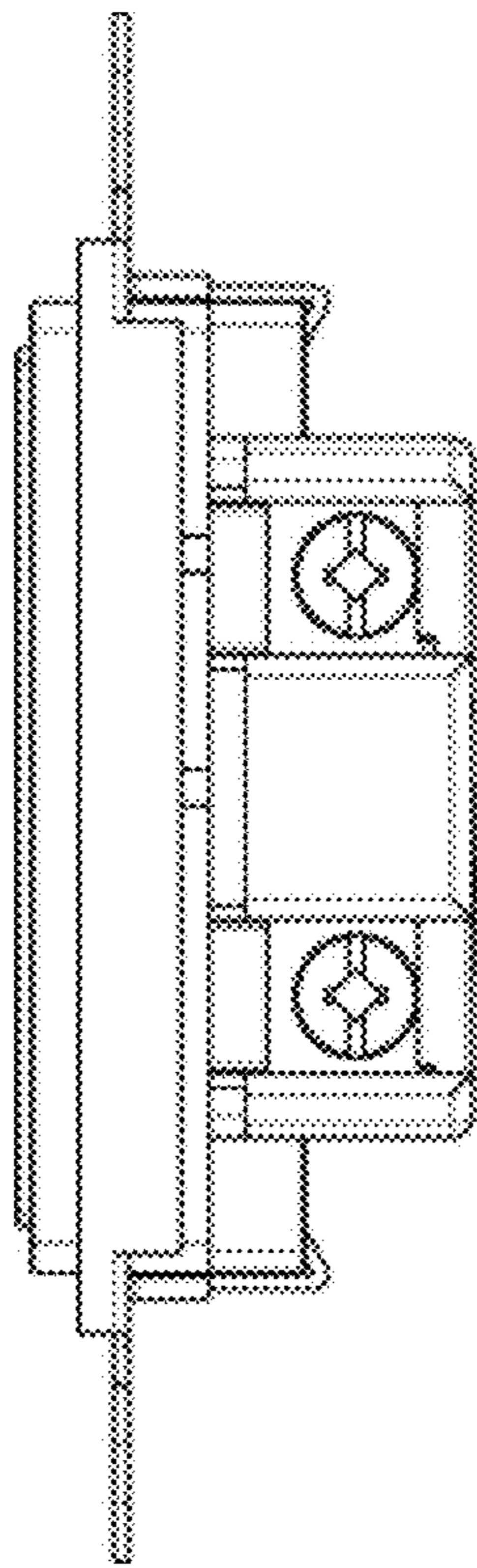


Fig. 26

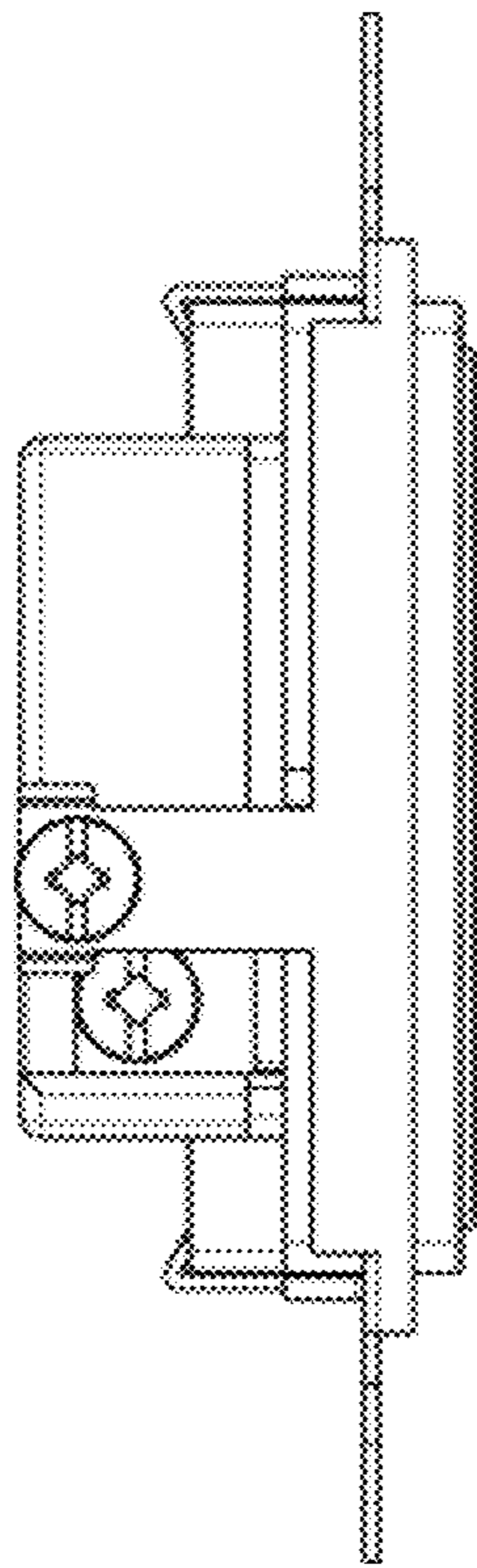


Fig. 27

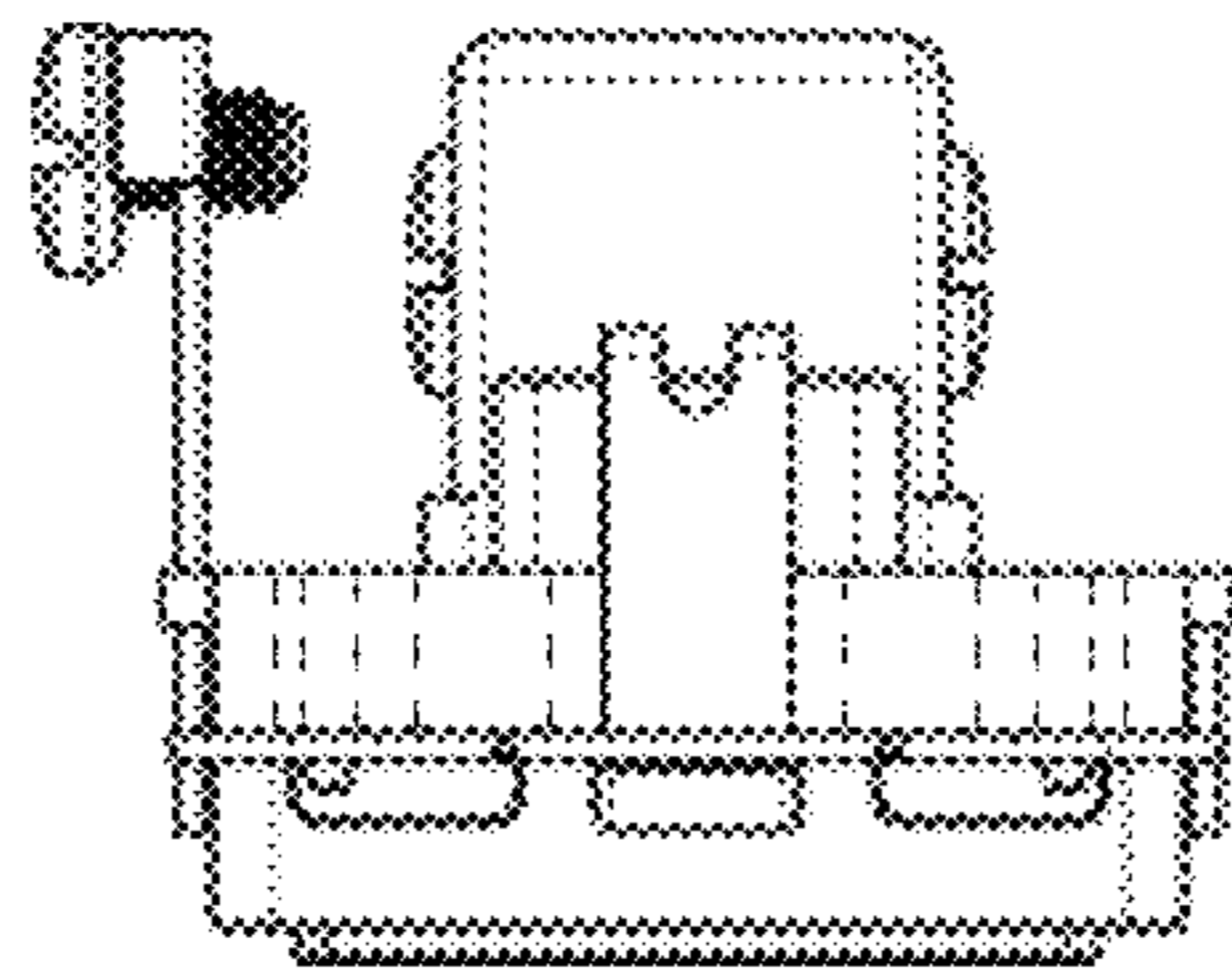


Fig. 28

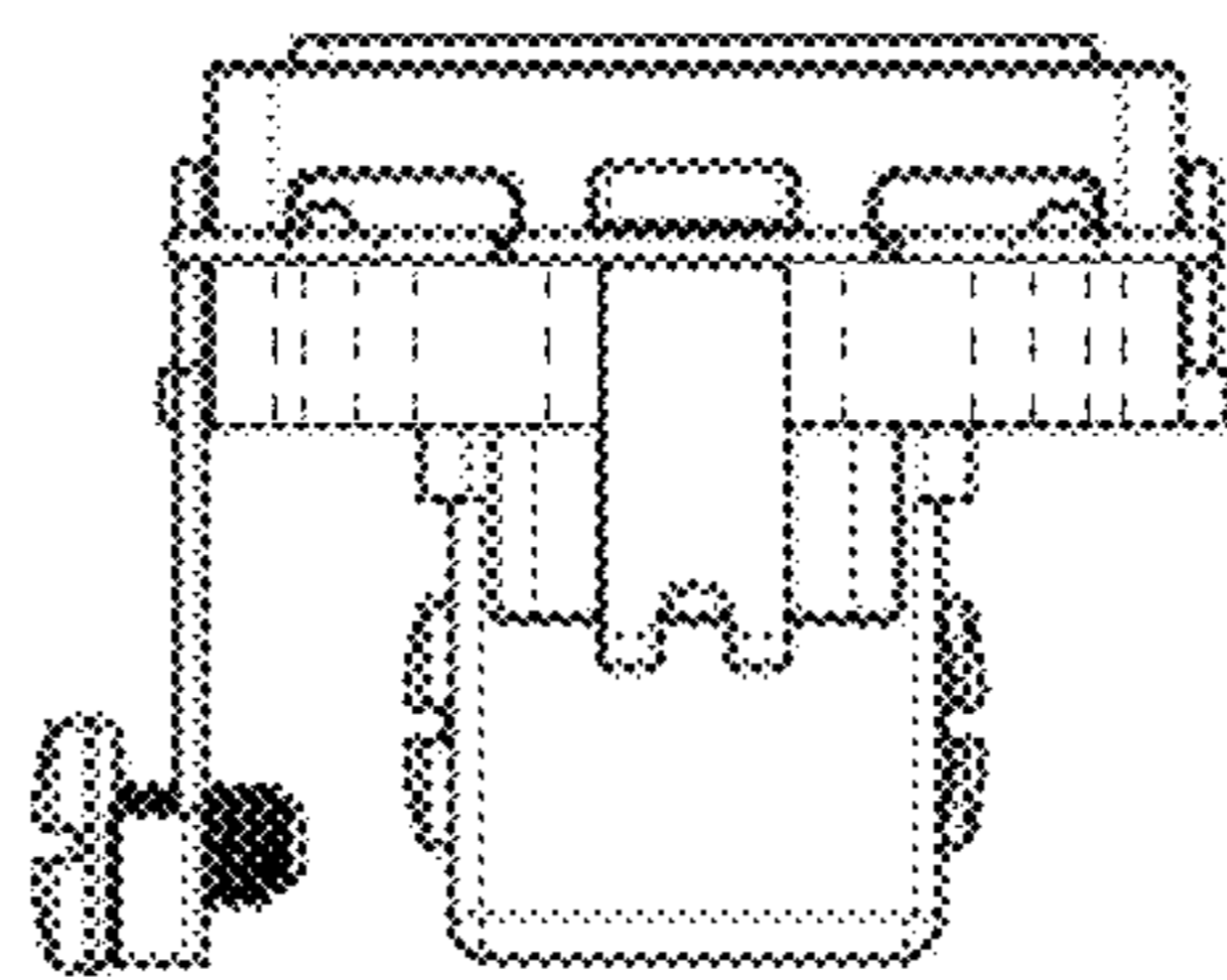


Fig. 29

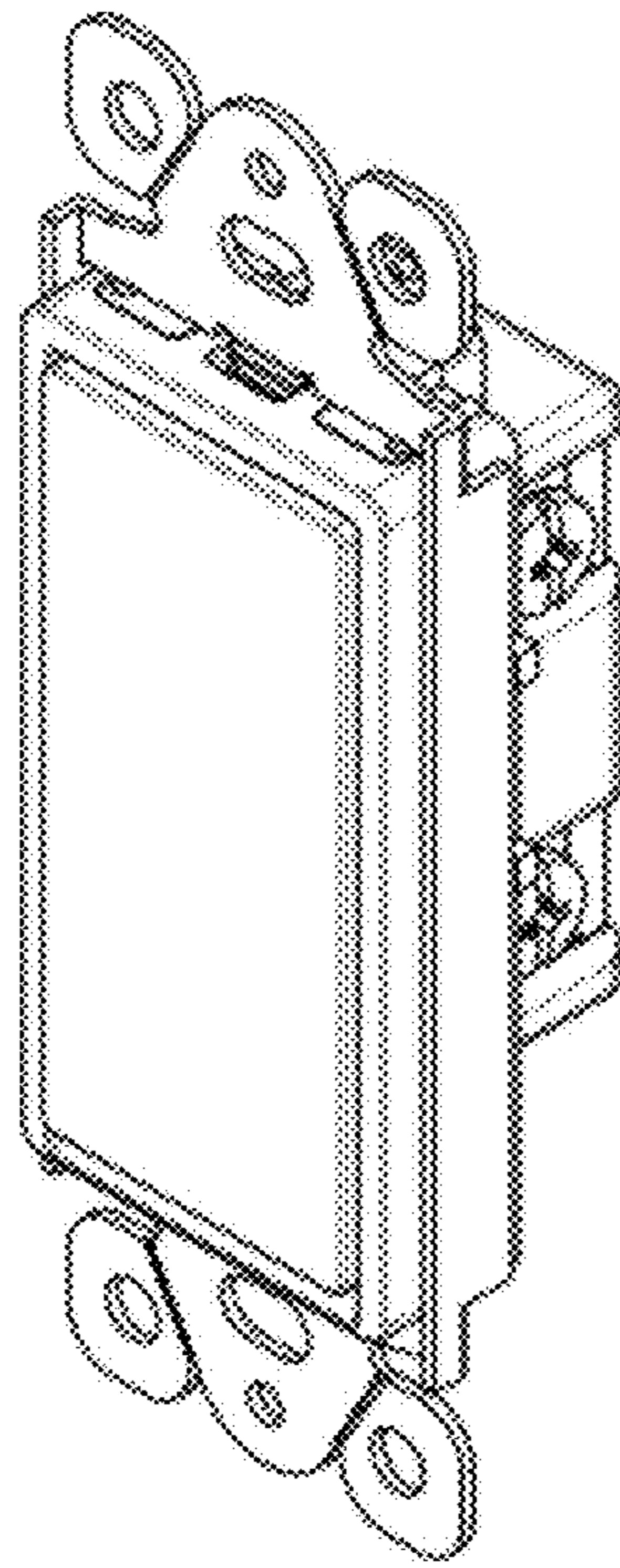


Fig. 30

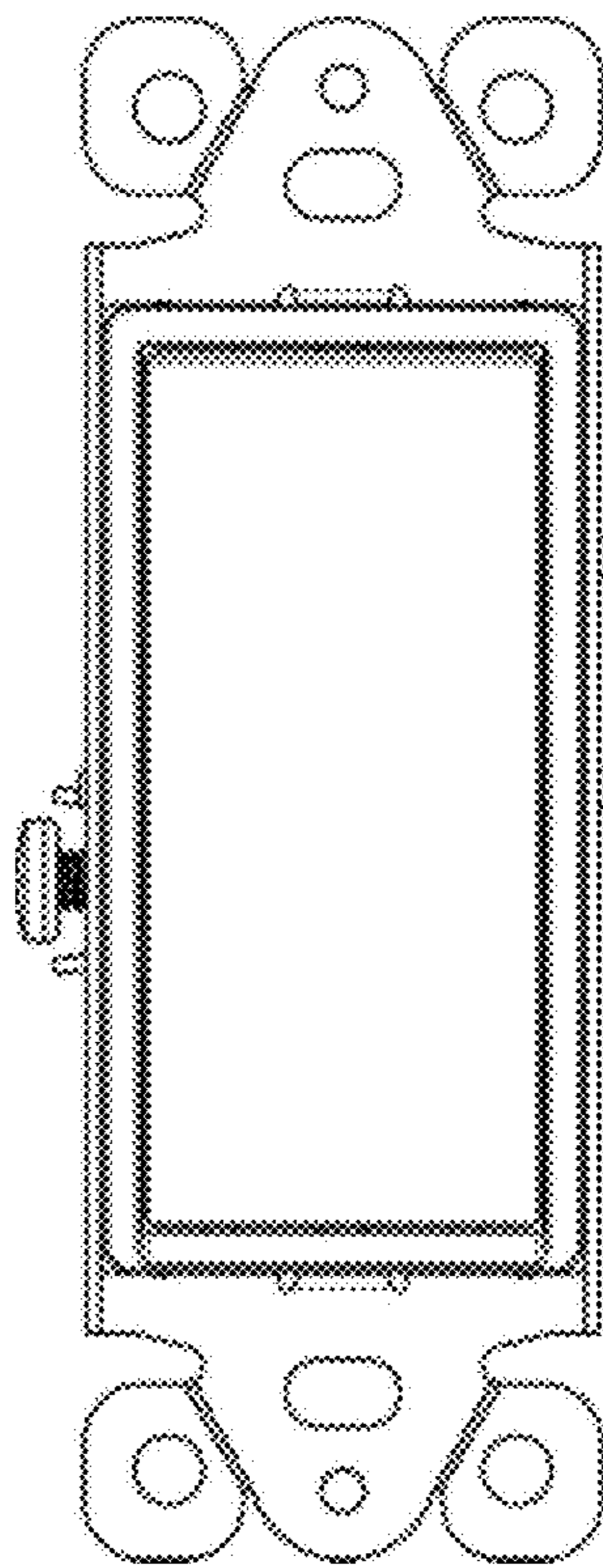


Fig. 31

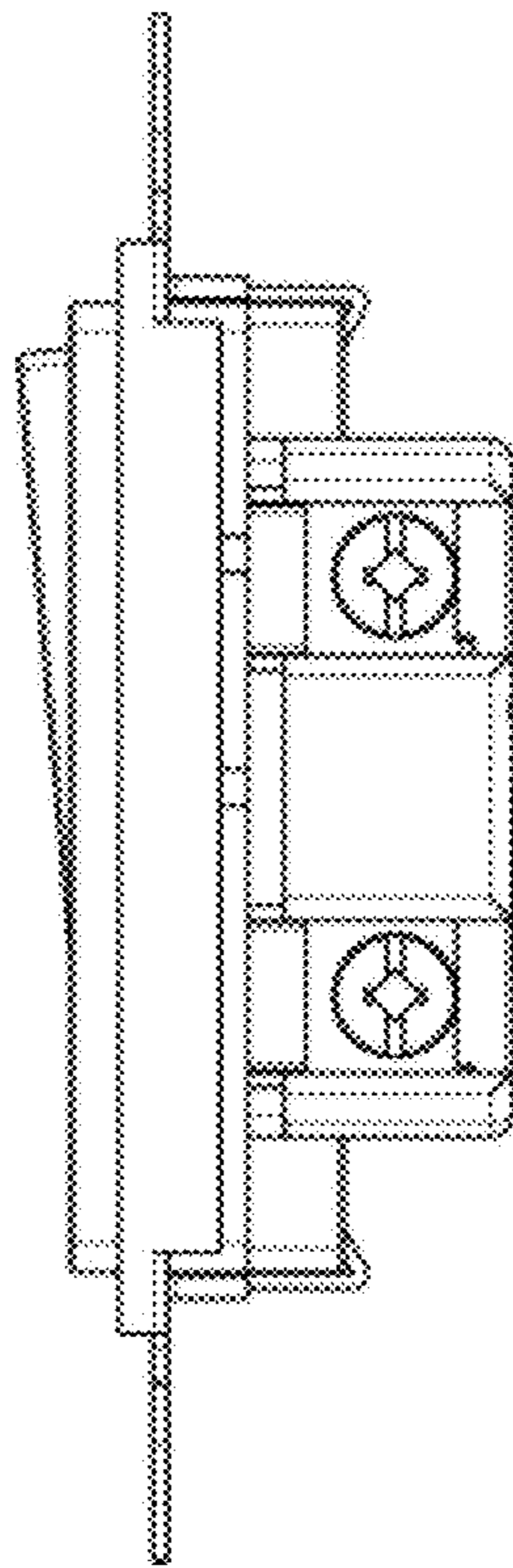


Fig. 32

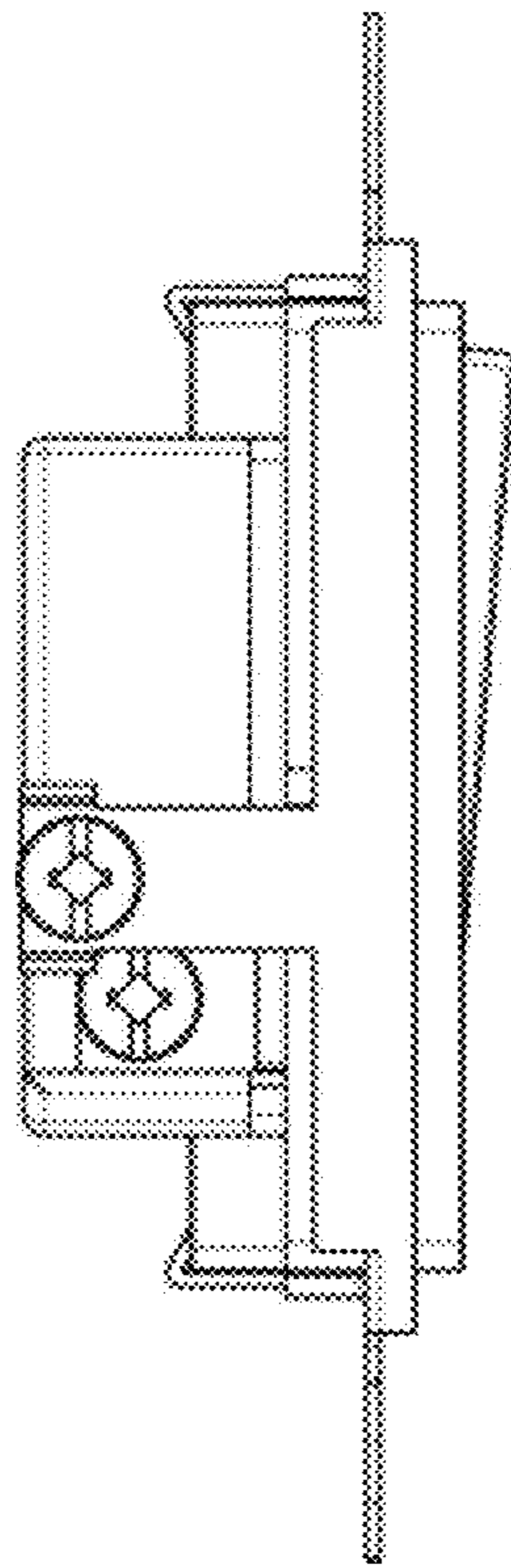


Fig. 33

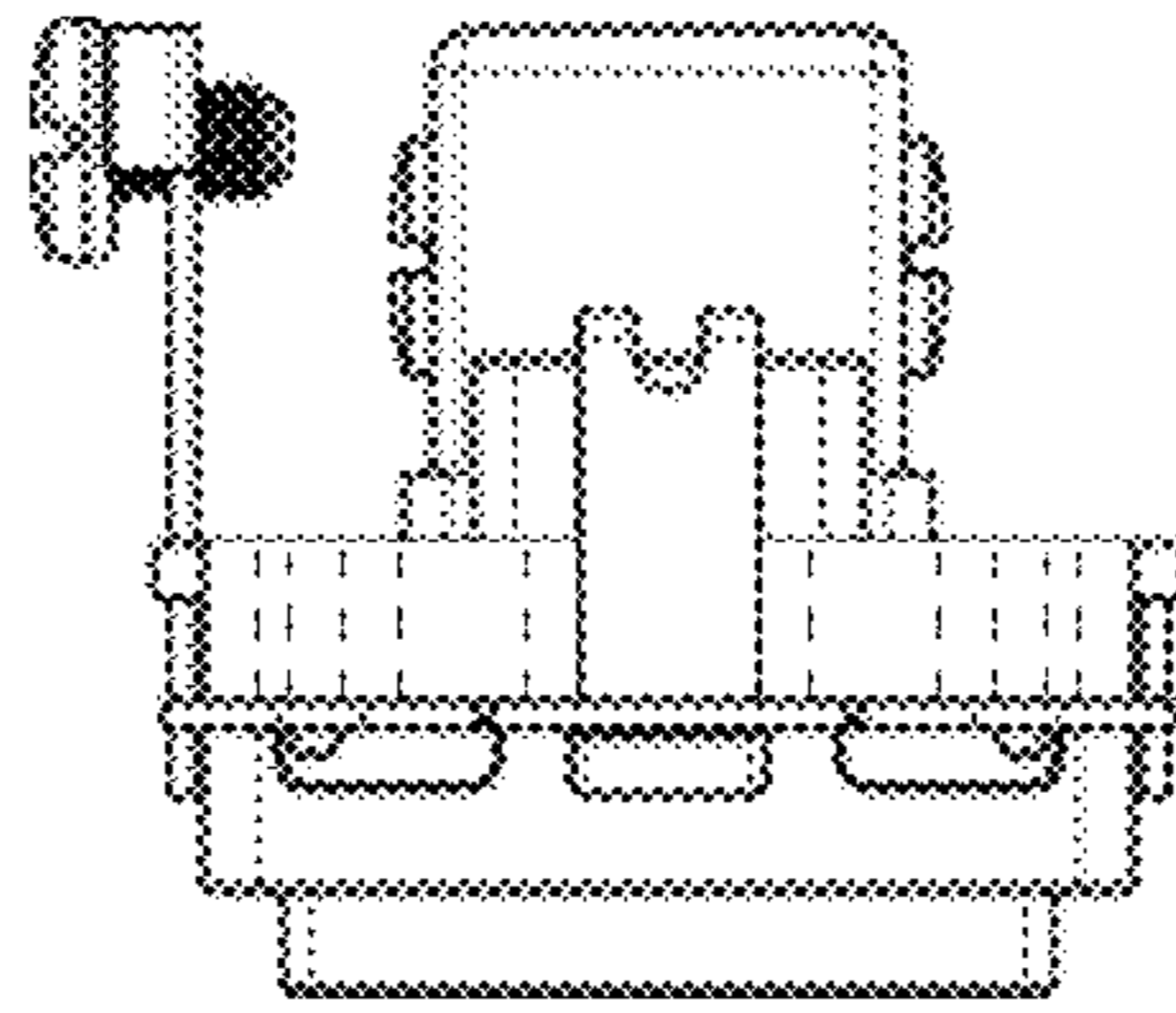


Fig. 34

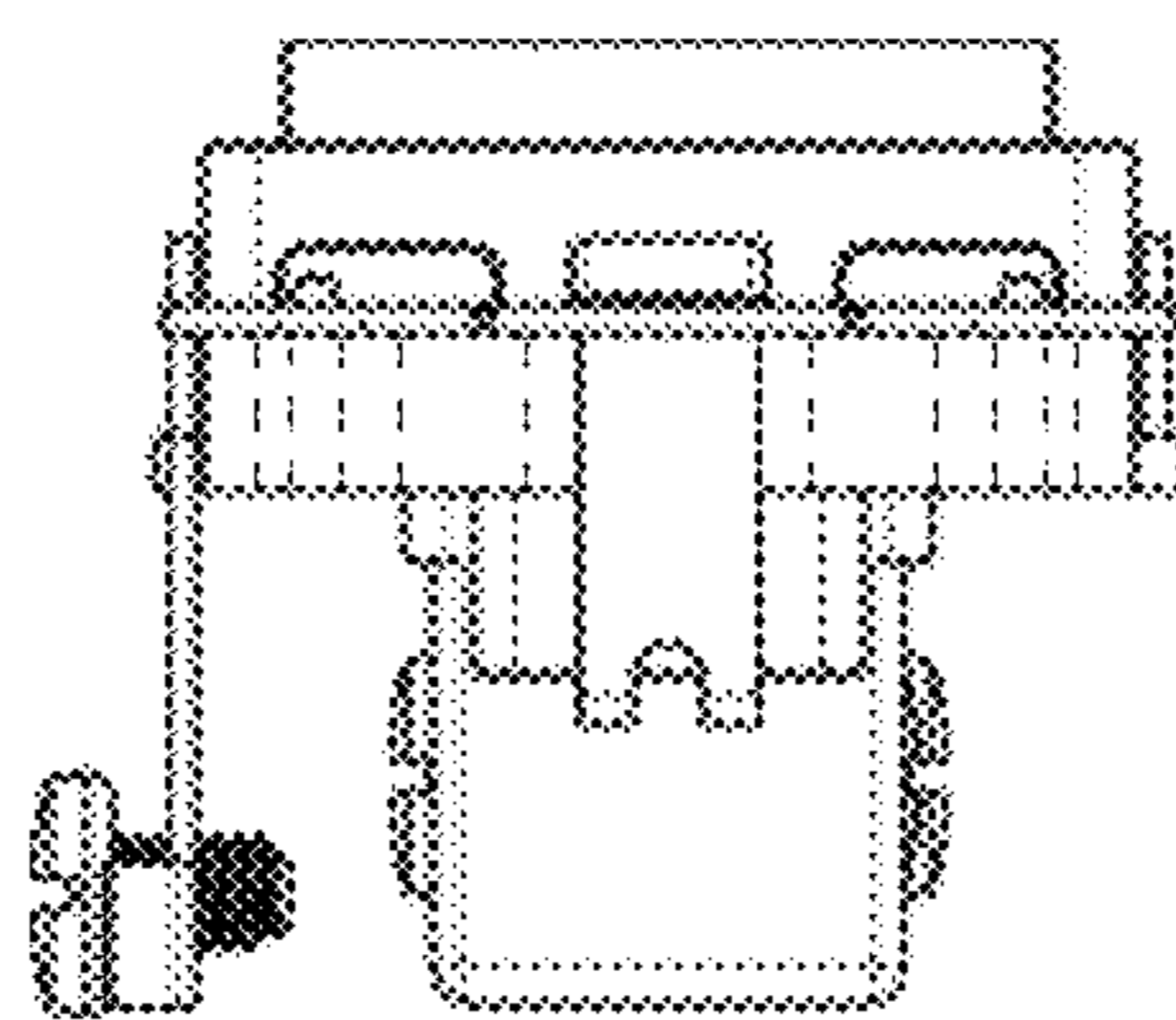


Fig. 35

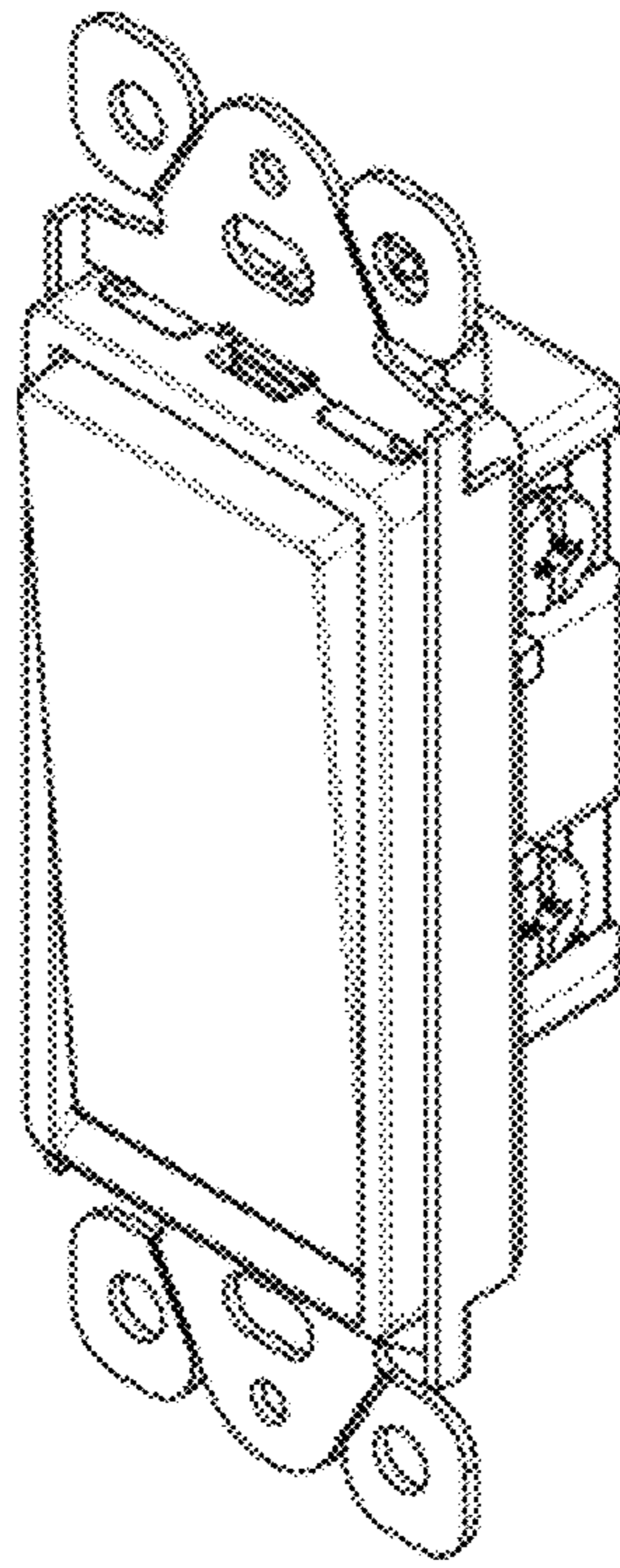


Fig. 36