



US00D963596S

(12) **United States Design Patent** (10) **Patent No.:** **US D963,596 S**
Duke et al. (45) **Date of Patent:** **** Sep. 13, 2022**

(54) **HAND CONTROLLER APPARATUS FOR MEDICAL DEVICE**

FOREIGN PATENT DOCUMENTS

(71) Applicant: **Titan Medical Inc.**, Toronto (CA)

CN 102973321 A 3/2013
CN 103687701 A 3/2014

(Continued)

(72) Inventors: **Jonathan Bradley Duke**, Louisville, CO (US); **Chad Clayton Walters**, Apex, NC (US); **Olivier Franck Currat**, Louisville, CO (US); **Eric Collins**, Louisville, CO (US)

OTHER PUBLICATIONS

Titan Medical Videos, posted at titanmedicalinc.com, no posting date, retrieved Nov. 22, 2021. online, URL: <https://titanmedicalinc.com/videos/> (Year: 2021).*

(Continued)

(73) Assignee: **Titan Medical Inc.**, Toronto (CA)

(**) Term: **15 Years**

Primary Examiner — Mary Shannon Malley

(74) *Attorney, Agent, or Firm* — Knobbe, Martens, Olson & Bear LLP

(21) Appl. No.: **29/668,353**

(22) Filed: **Oct. 30, 2018**

(57) **CLAIM**

The ornamental design for a hand controller apparatus for a medical device, as shown and described.

(51) **LOC (13) Cl.** **14-03**

(52) **U.S. Cl.**
USPC **D13/168**

DESCRIPTION

(58) **Field of Classification Search**
USPC D13/168; D24/186, 168, 133, 144;
D14/205, 218, 412; D21/333
CPC A61B 34/30; A61B 34/75; A61B 34/76
See application file for complete search history.

FIG. 1 is a perspective view of a hand controller apparatus for a medical device.

FIG. 2 is a front view of the hand controller apparatus of FIG. 1.

FIG. 3 is a rear view of the hand controller apparatus of FIG. 1.

FIG. 4 is a left side view of the hand controller apparatus of FIG. 1.

FIG. 5 is a right side view of the hand controller apparatus of FIG. 1.

FIG. 6 is a top plan view of the hand controller apparatus of FIG. 1; and,

FIG. 7 is a bottom plan view of the hand controller apparatus of FIG. 1.

The broken lines illustrate portions of the hand controller apparatus for medical device that form no part of the claimed design.

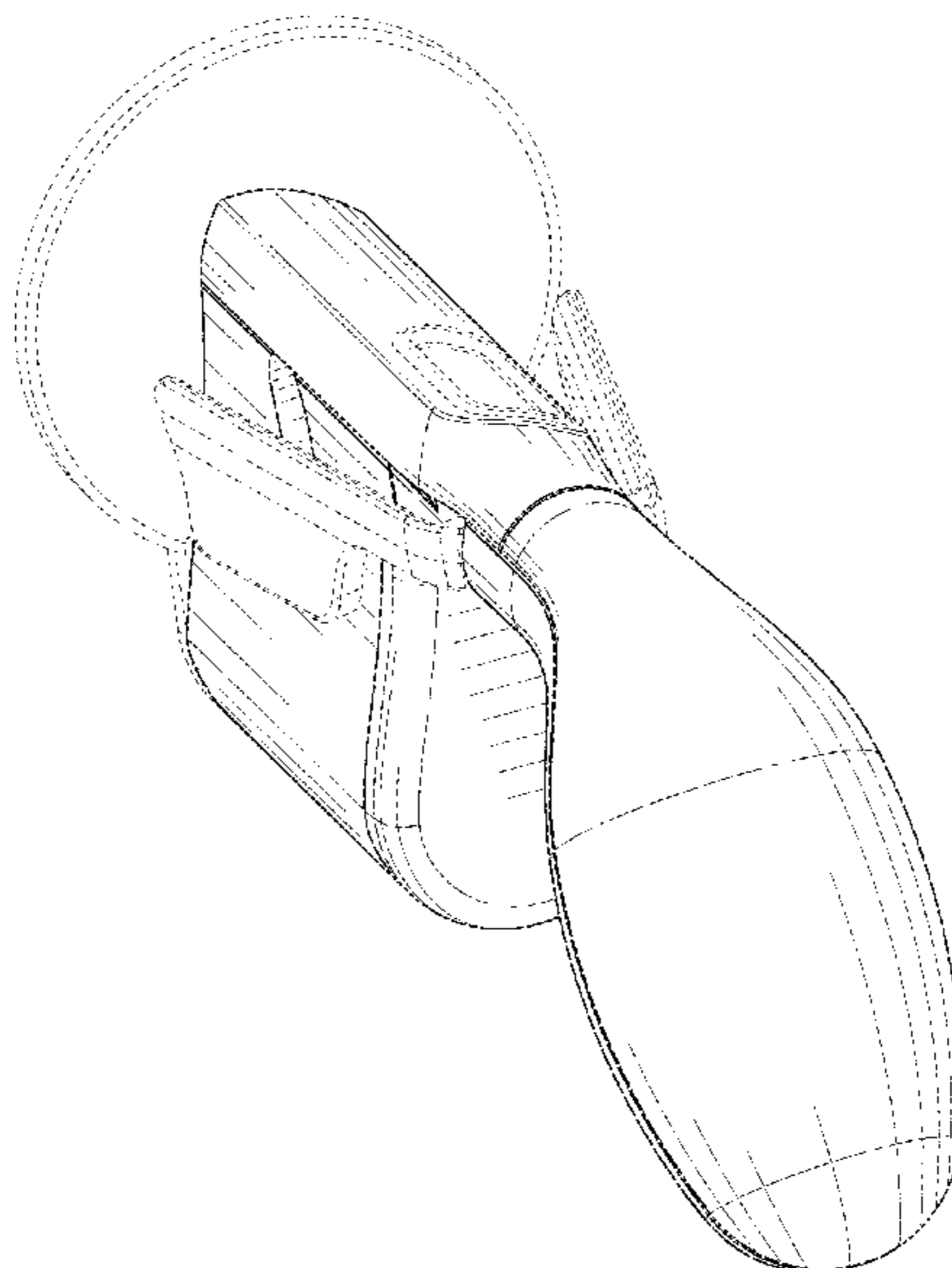
(56) **References Cited**

U.S. PATENT DOCUMENTS

4,980,626 A 12/1990 Hess
5,290,386 A 3/1994 Trudeau
5,482,409 A 1/1996 Dunning
5,741,113 A 4/1998 Bacchi
6,587,750 B2 7/2003 Gerbi et al.
8,638,057 B2 1/2014 Goldberg et al.
D813,203 S * 3/2018 Hardi D14/218
D817,300 S * 5/2018 Bristol D14/203.3
D840,360 S * 2/2019 Scott D13/168
10,426,561 B1 10/2019 Kelly et al.
D867,309 S * 11/2019 Detering D13/168

(Continued)

1 Claim, 5 Drawing Sheets



(56)

References Cited

U.S. PATENT DOCUMENTS

D882,529	S *	4/2020	Scott	D13/168
D900,042	S *	10/2020	Scott	D13/168
D910,845	S *	2/2021	Kwon	D24/133
2003/0045900	A1	3/2003	Hahnen		
2009/0058342	A1	3/2009	Nihei		
2010/0080669	A1	4/2010	Labonville et al.		
2010/0161129	A1	6/2010	Costa		
2011/0118748	A1	5/2011	Itkowitz		
2013/0211590	A1	8/2013	Diolaiti et al.		
2015/0025549	A1*	1/2015	Kilroy	A61B 34/30 606/130
2015/0080924	A1	3/2015	Stulen et al.		
2016/0066913	A1	3/2016	Swayze et al.		
2017/0225337	A1	8/2017	Schaible et al.		
2017/0361225	A1	12/2017	Goslin		
2017/0367777	A1	12/2017	Kralicky et al.		
2018/0168758	A1	6/2018	Lutzow et al.		
2018/0271607	A1	9/2018	Kralicky et al.		
2020/0129249	A1*	4/2020	Kelly	A61B 34/74

FOREIGN PATENT DOCUMENTS

WO	WO 2013/018934	A1	2/2013
WO	WO 2016/201544	A1	12/2016
WO	WO 2017/177547	A1	10/2017
WO	WO 2017/210501	A1	12/2017
WO	WO 2018/217435	A1	11/2018

OTHER PUBLICATIONS

Analog Devices, "Integrated AMR Angle Sensor and Signal Conditioner," Data Sheet ADA4571, Rev. 0, 2014, 21 pages.

Azoteq (Pty) Ltd, "IQS550/572/525-B000—Capacitive Trackpad/Touchscreen Controller," IQS5xx-B000 Trackpad Datasheet, Revision 2.0, Nov. 2016, 79 pages.

Integrated Device Technology, Inc., "IDT Inductive Position Sensors," 2017, 13 pages.

Integrated Device Technology, Inc., "ZMID520x Evaluation Kit User Manual," Dec. 10, 2017, 39 pages.

Integrated Device Technology, Inc., "ZMID520xMARC13001 Arc Application Module User Manual," Dec. 12, 2017, 15 pages.

Integrated Device Technology, Inc., "ZMID520x Inductive Position Sensor Family," Product Overview, 2018, 2 pages.

Integrated Device Technology, Inc., "Inductive Position Sensor IC," ZMID5201/02/03 Datasheet, Jun. 22, 2018, 33 pages.

Intuitive Surgical, "da Vinci SP," downloaded on Oct. 9, 2018 from <https://www.intuitivesurgical.com/sp/>, in 5 pages.

Kasemsadeh, "LDC1612/LDC1614 Linear Position Sensing," Application Report SNOA931, Texas Instruments, Apr. 2015, 14 pages.

Microchip Technology Inc., "AT42QT1011 Data Sheet," 2017, 31 pages.

MPS, "14-Bit, Digital, Contactless Angle Sensor with ABZ Incremental & PWM Outputs," MagAlpha MA730, Rev. 1.01, Oct. 13, 2017, 27 pages.

SMSC, "8 Channel Capacitive Touch Sensor with 8 LED Drivers," CAP1188 Datasheet, Revision 1.32, Jan. 5, 2012, 93 pages.

Texas Instruments, "DRV2605L 2- to 5.2-V Haptic Driver for LRA and ERM with Effect Library and Smart-Loop Architecture," May 2014, Revised Mar. 2018, 70 pages.

Texas Instruments, "LDC1612, LDC1614 Multi-Channel 28-Bit Inductance to Digital Converter (LDC) for Inductive Sensing," Dec. 2014, Revised Mar. 2018, 65 pages.

International Search Report and Written Opinion dated Feb. 7, 2020 in International Application No. PCT/US2019/058170, in 8 pages.

* cited by examiner

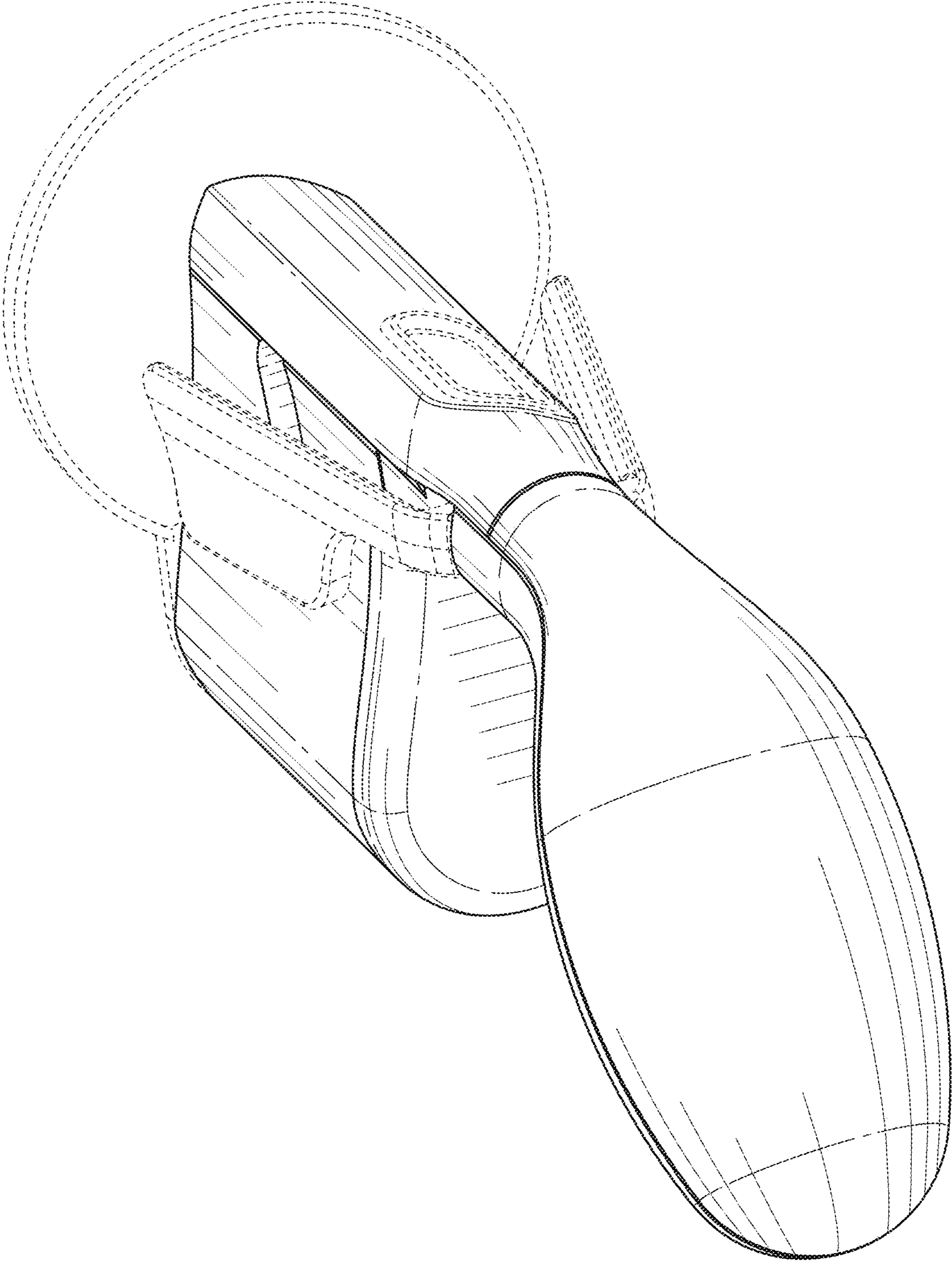


FIG. 1

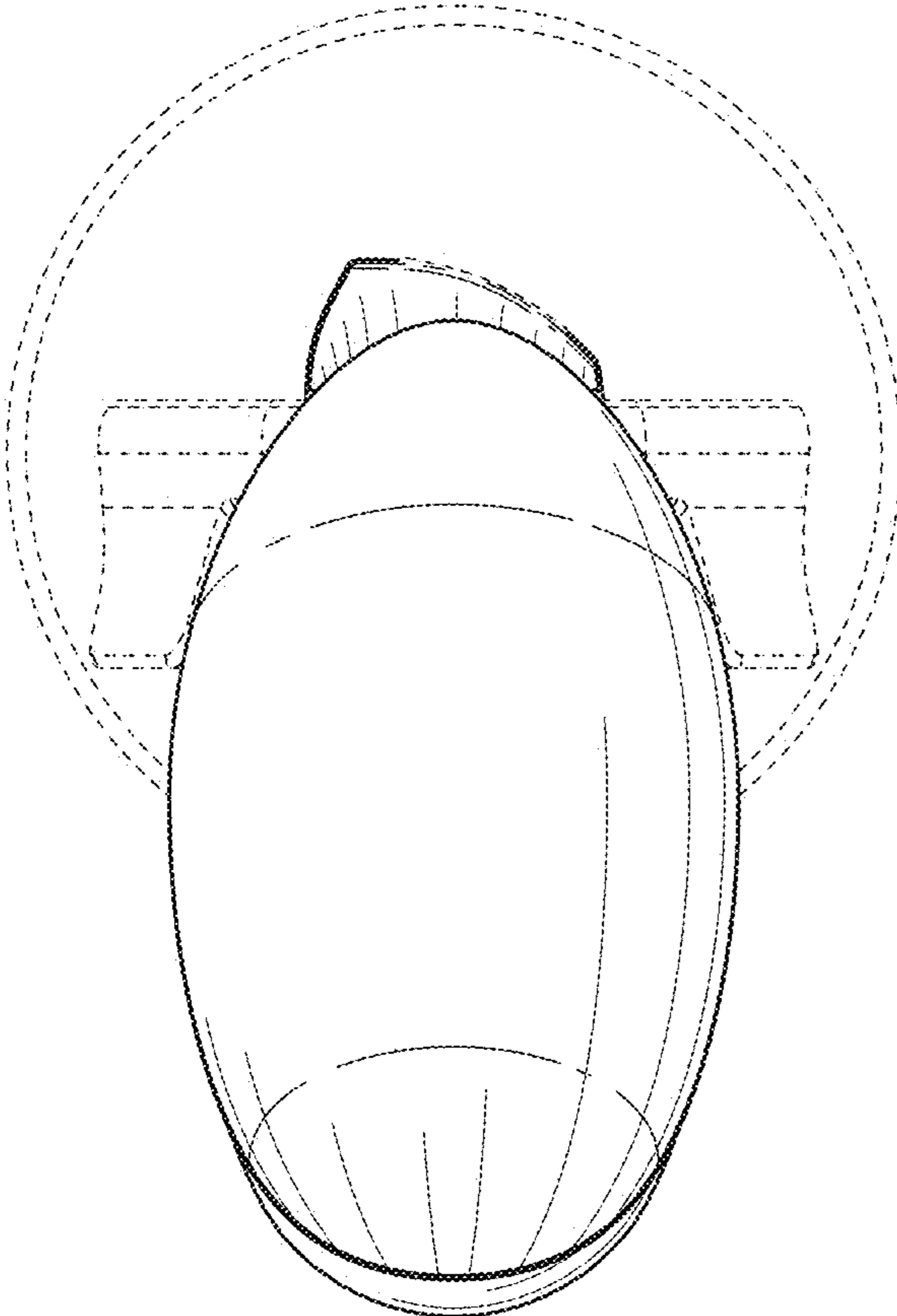


FIG. 2

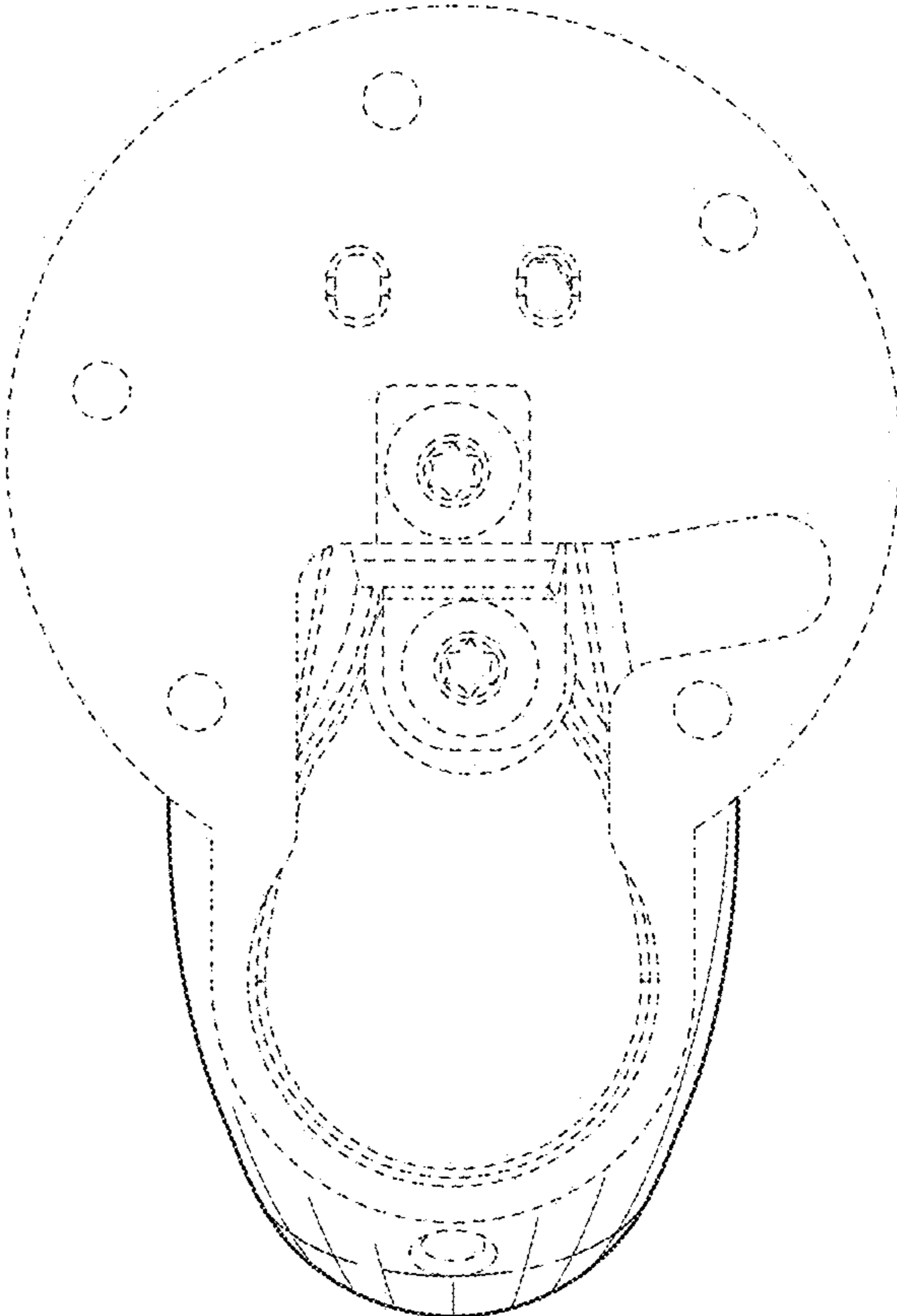


FIG. 3

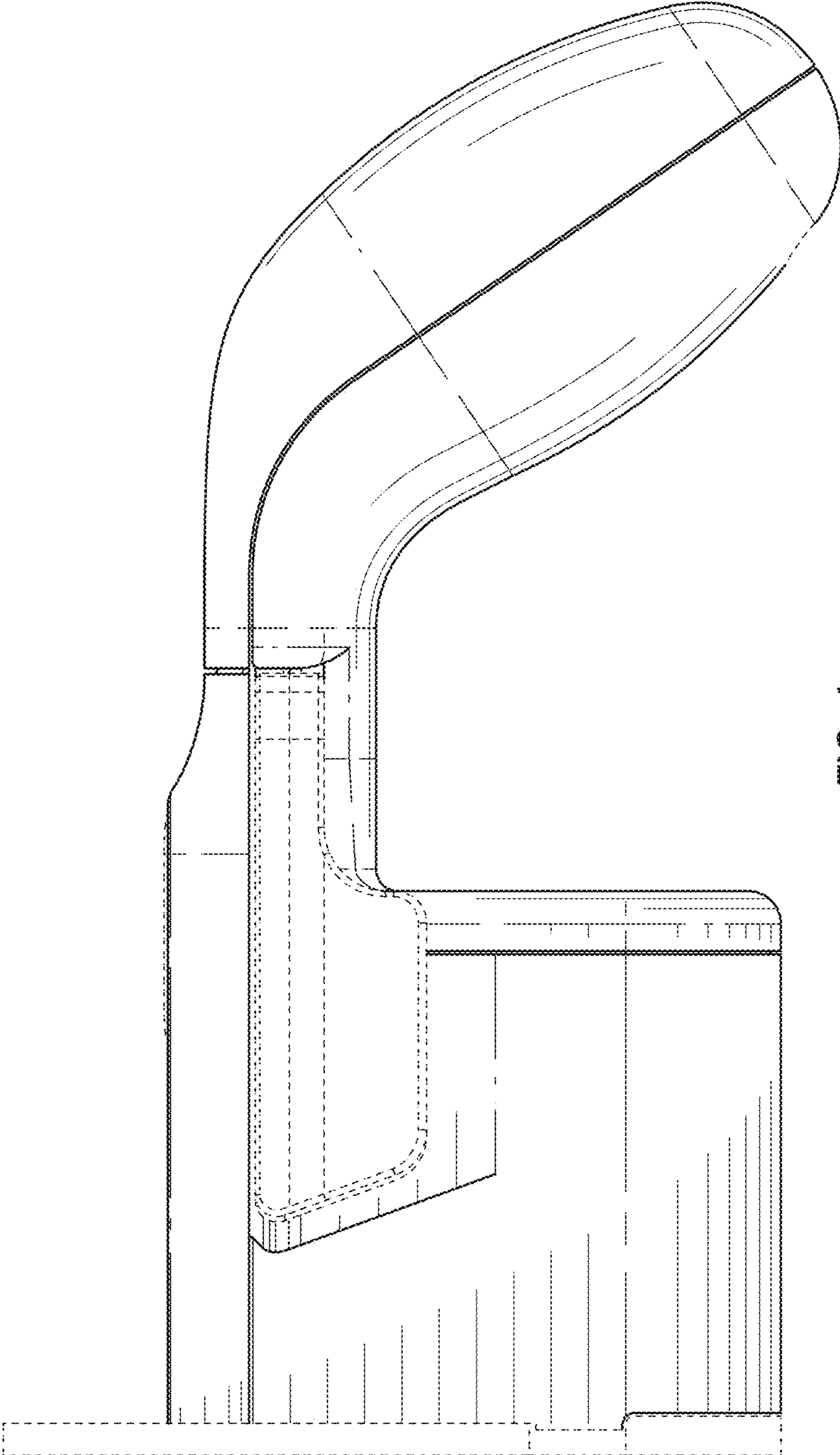


FIG. 4

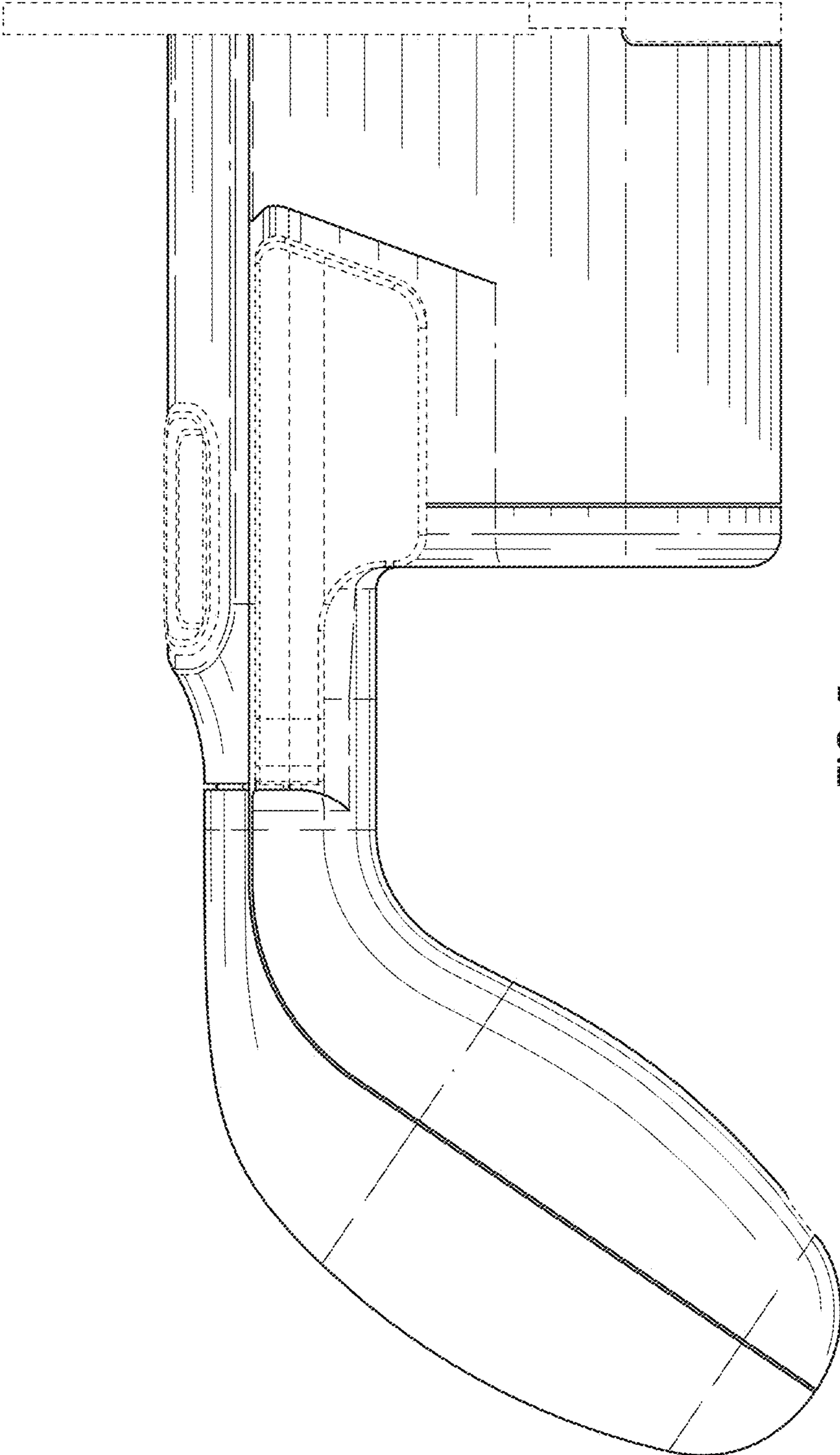


FIG. 5

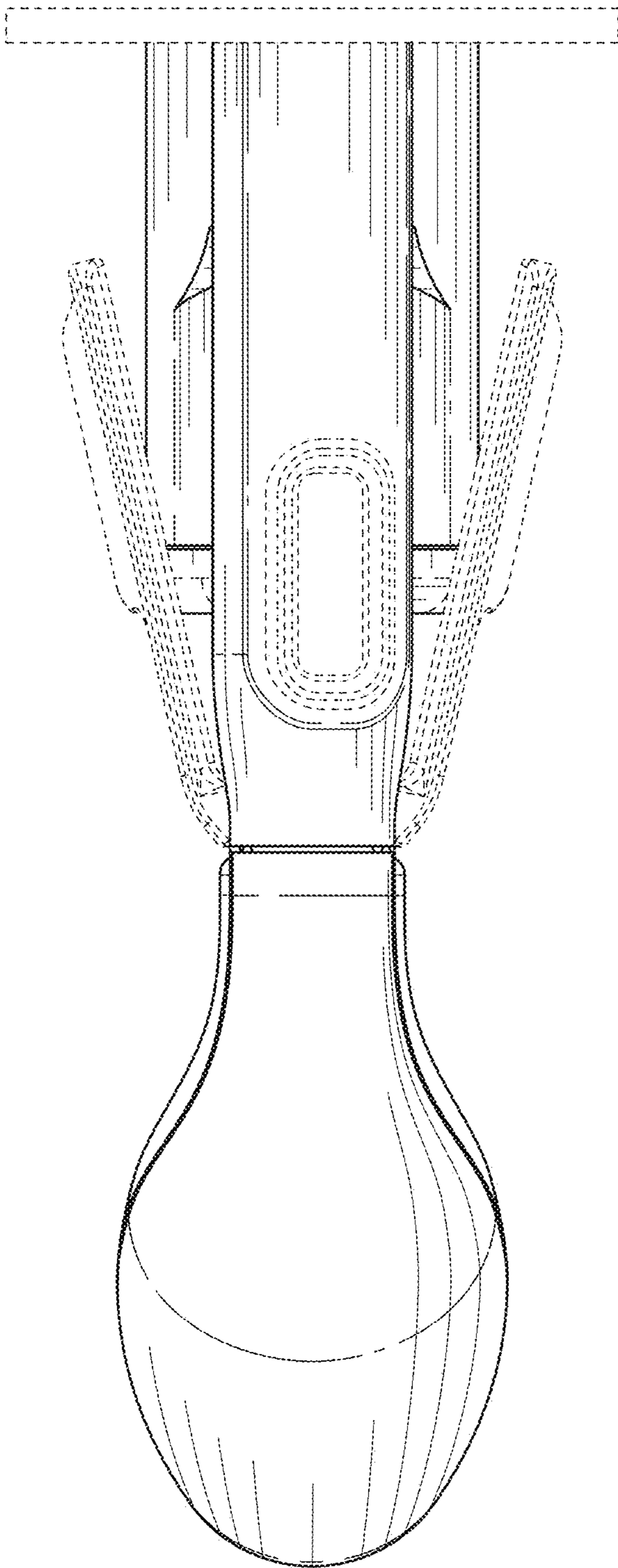


FIG. 6

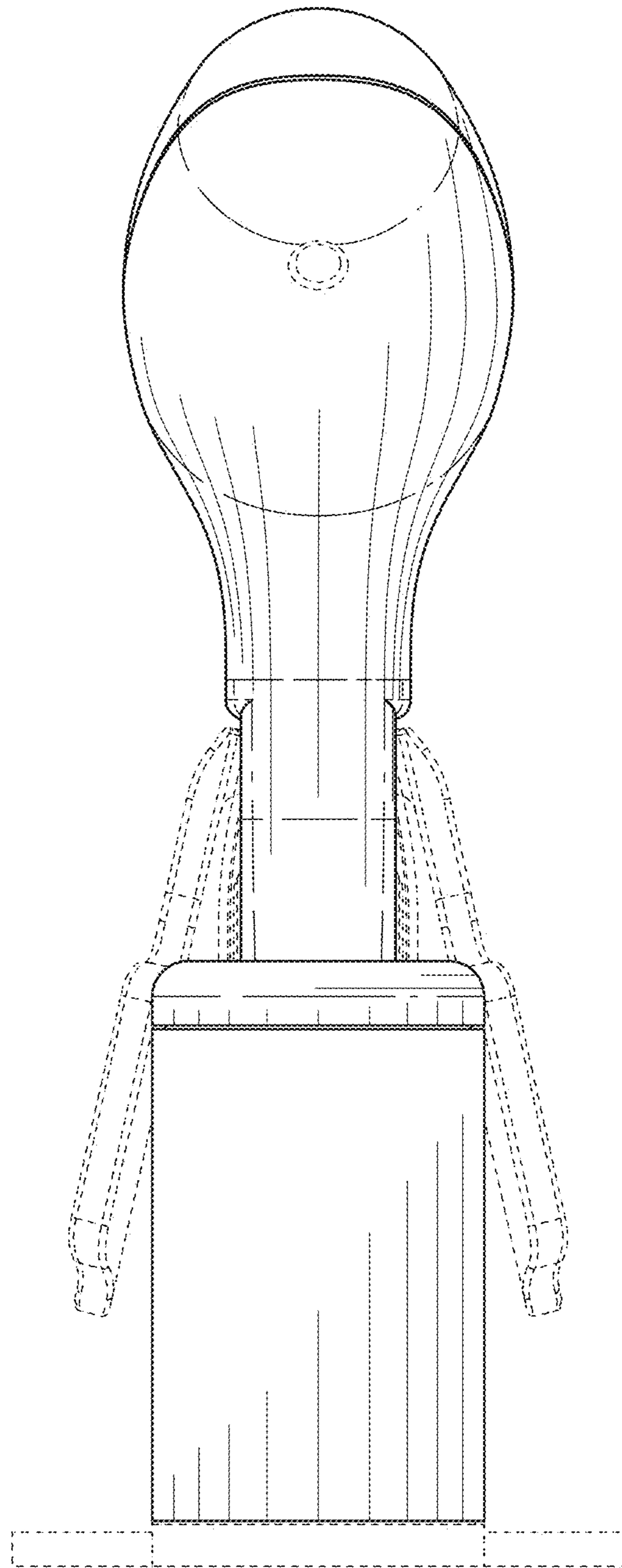


FIG. 7