

US00D963595S

(12) **United States Design Patent**
Cai

(10) **Patent No.:** **US D963,595 S**
(45) **Date of Patent:** **** Sep. 13, 2022**

(54) **SWITCH**

(71) Applicant: **Guodong Cai**, Shenzhen (CN)

(72) Inventor: **Guodong Cai**, Shenzhen (CN)

(**) Term: **15 Years**

(21) Appl. No.: **29/827,555**

(22) Filed: **Feb. 21, 2022**

(51) **LOC (13) Cl.** **13-03**

(52) **U.S. Cl.**
USPC **D13/164**

(58) **Field of Classification Search**
USPC D13/162, 164, 171
CPC H01H 3/02; H01H 3/0213; H01H 3/04;
H01H 3/06; H01H 3/08; H01H 3/12;
H01H 3/122; H01H 9/02; H01H 9/0264;
H01H 9/027; H01H 9/16; H01H 9/18;
H01H 9/181; H01H 9/182; H01H 13/023;
H01H 13/04; H01H 13/06; H01H 13/14;
H01H 23/025; H01H 23/02; H01H 23/04;
H01H 23/06; H01H 23/08; H05B 39/02;
H05B 39/04; H05B 39/085; H05B
39/086; H05B 39/088; H05B 47/19
See application file for complete search history.

(56) **References Cited**

U.S. PATENT DOCUMENTS

4,880,950	A *	11/1989	Carson	H01C 10/44 338/183
5,239,205	A *	8/1993	Hoffman	H02J 13/00036 200/277.2
D543,951	S *	6/2007	Blair	D13/162
7,482,534	B2 *	1/2009	Ye	H01H 3/0213 174/547
D636,347	S *	4/2011	Felegy, Jr.	D13/162
8,149,591	B2 *	4/2012	Feldstein	H03B 5/364 361/810
D666,978	S *	9/2012	Felegy, Jr.	D13/164

D673,510	S *	1/2013	Felegy, Jr.	D13/164
D694,196	S *	11/2013	Felegy, Jr.	D13/162
D744,952	S *	12/2015	Ni	D13/139.3
D762,592	S	8/2016	Lu et al.		
9,786,452	B2 *	10/2017	Madsen	H01H 13/7057
D819,577	S	6/2018	Hoffknecht et al.		
10,249,455	B2 *	4/2019	Lange	H01H 9/22
D852,760	S	7/2019	Hoffknecht et al.		
D859,328	S *	9/2019	Gutierrez	D13/169
D916,036	S	4/2021	Fu et al.		
D936,615	S *	11/2021	Wang	D13/164
D939,455	S *	12/2021	Ma	D13/169
D949,804	S *	4/2022	Altonen	D13/164
2008/0258859	A1 *	10/2008	Altonen	H05B 39/085 338/176

(Continued)

OTHER PUBLICATIONS

3 Way Smart Dimmer Switch, Tessan, date first available—Jul. 1, 2019; 2 pgs; <https://www.amazon.com/Extra-Smart-Dimmer-Switch-Tessan/dp/B07TS21QRB>.*

(Continued)

Primary Examiner — Selina Sikder
(74) *Attorney, Agent, or Firm* — Jeenam Park

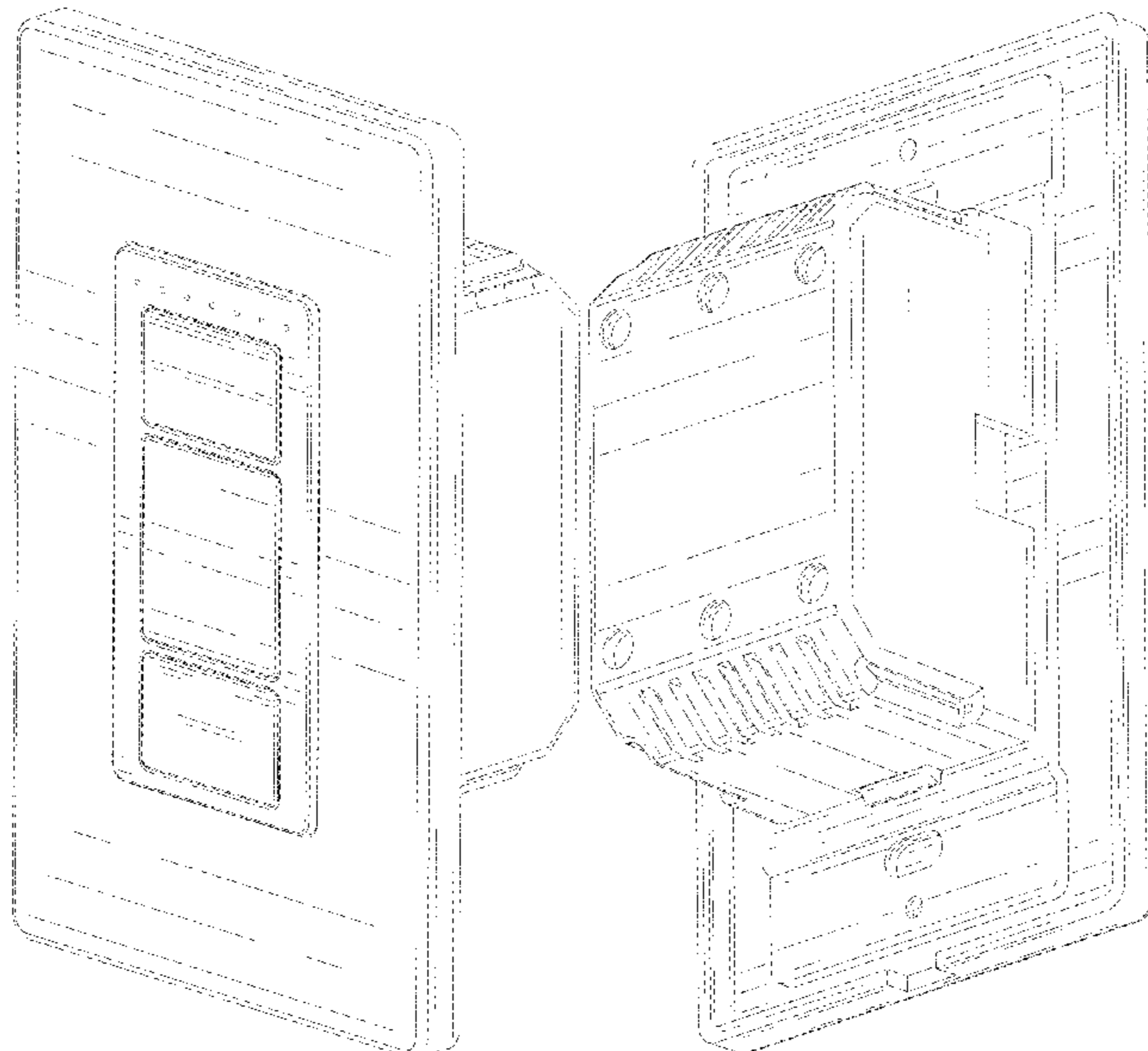
(57) **CLAIM**

The ornamental design for a switch, as shown and described.

DESCRIPTION

FIG. 1 is a perspective view of a switch, showing my new design;
FIG. 2 is another perspective view thereof;
FIG. 3 is a front view thereof;
FIG. 4 is a rear view thereof;
FIG. 5 is a left side view thereof;
FIG. 6 is a right side view thereof;
FIG. 7 is a top plan view thereof; and,
FIG. 8 is a bottom plan view thereof.

1 Claim, 8 Drawing Sheets



(56)

References Cited

U.S. PATENT DOCUMENTS

2010/0214756 A1* 8/2010 Feldstein H01H 9/0271
361/807
2011/0267802 A1* 11/2011 Petrillo H05B 39/088
362/85
2013/0106287 A1* 5/2013 Savicki, Jr. H01H 11/0018
315/113
2017/0290195 A1* 10/2017 Jansen H02G 3/18
2018/0160502 A1* 6/2018 Casey H05B 45/20
2022/0208485 A1* 6/2022 Ni H01H 15/08

OTHER PUBLICATIONS

3-Way WiFi Smart Dimmer with 3-Button Touch Control, reviewed as early at Mar. 8, 2021; 1 pg.; https://www.maxximastyle.com/electrical/3-way-wifi-smart-dimmer-switch-3-button-touch-controlled-indicator-lights-screwless-wall-plate-included-mew-dm300dw?gclid=EAIaIQobChMI95fl2_mH-QIVVsDICH09EweDEAkYCSABEgJdVPD_BwE.*
Smart Lightswitch, 3 switches WiFi SmartSwitch Button; Mar. 31, 2019,; 2 pgs; https://www.amazon.com/Compatible-Control-Required-Provides-Anywhere/dp/B07Q5XPRKD/ref=asc_df_B07Q5XPRKD/?tag=&linkCode=df0&hvadid=344005018279&hvpos=&hvnetw=g&hvrnd=9838738858433278877&hvpone=&hvptwo=&hvqmt=&hvdev=c&hvdvcmdl=&hvlocint=&h.*

* cited by examiner

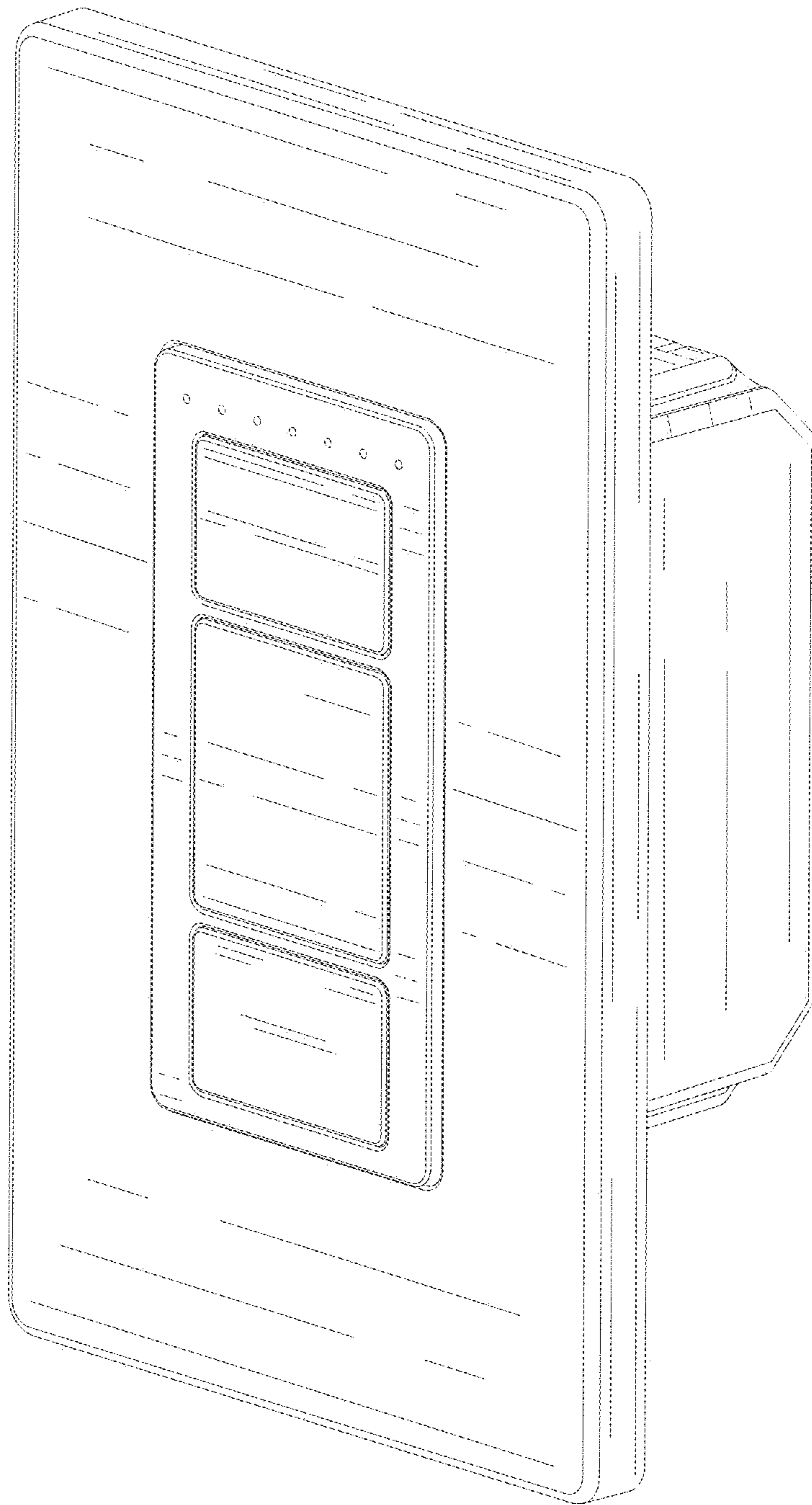


FIG. 1

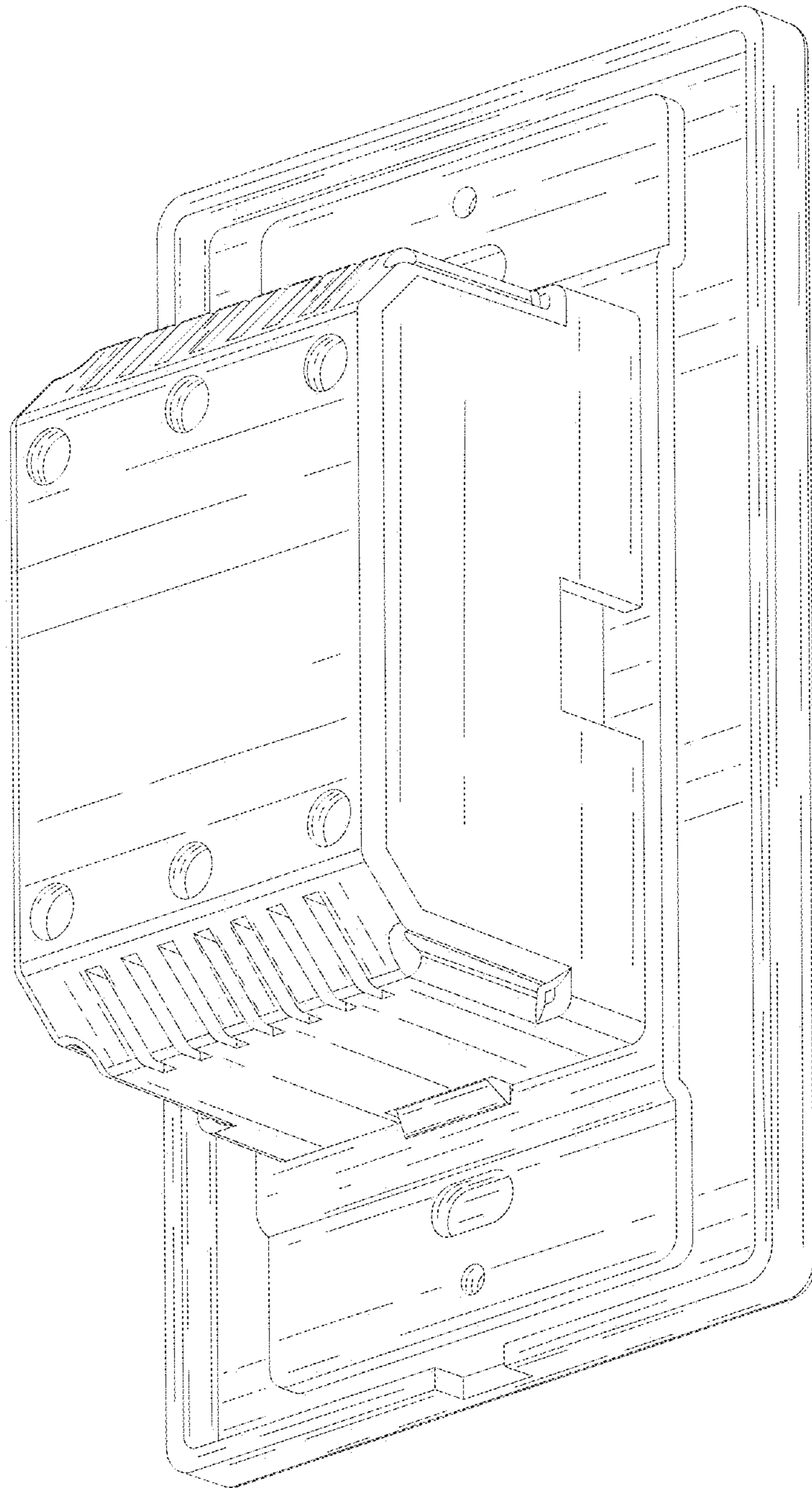


FIG. 2

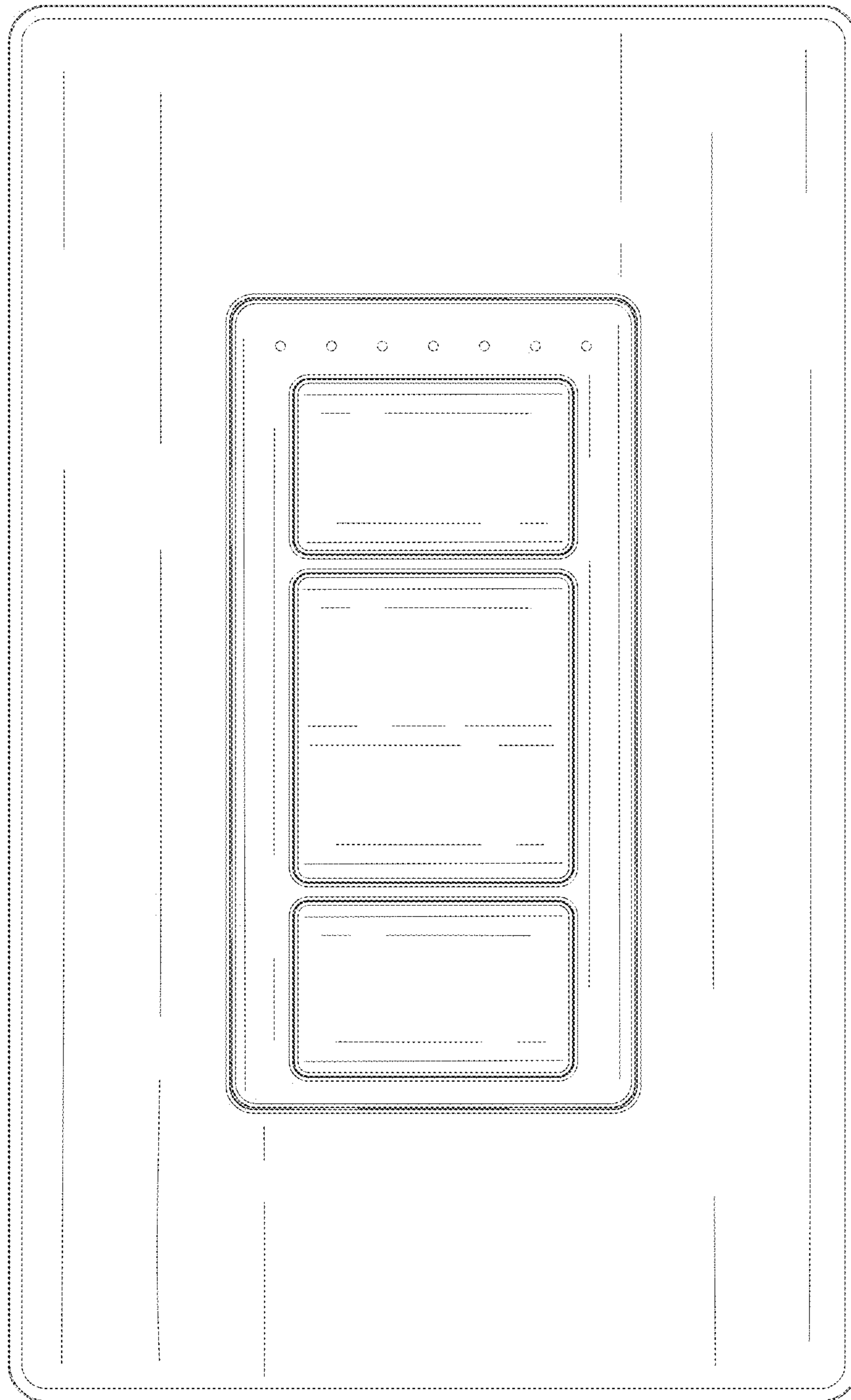


FIG. 3

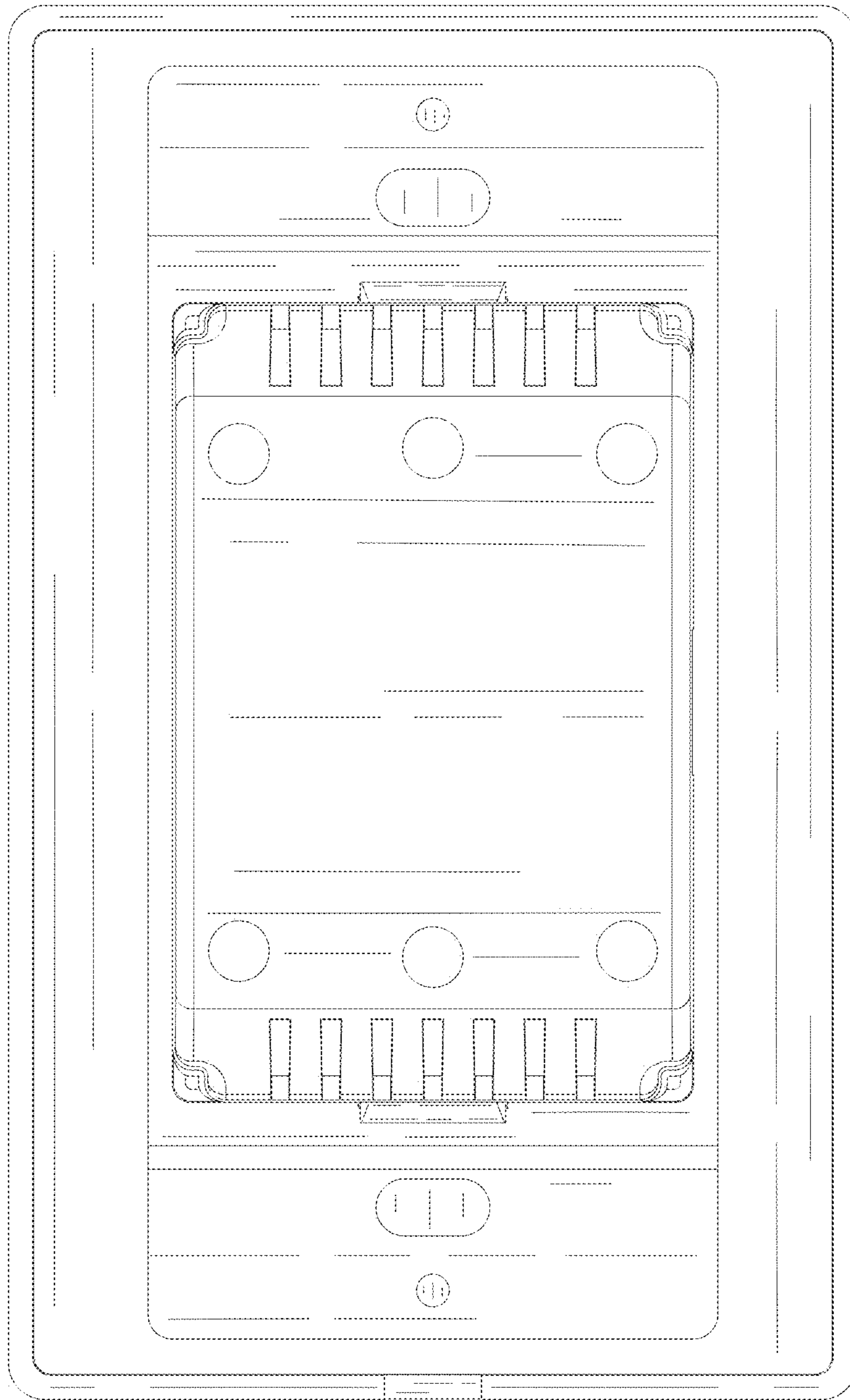


FIG. 4

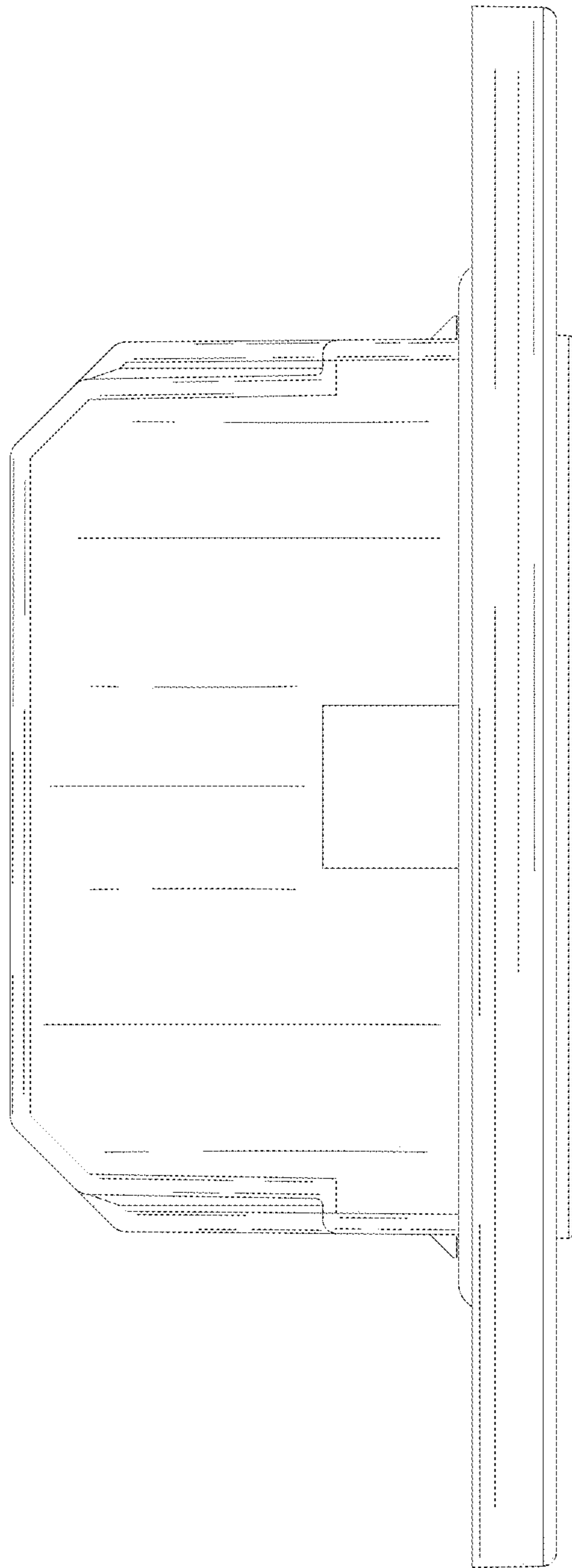


FIG. 5

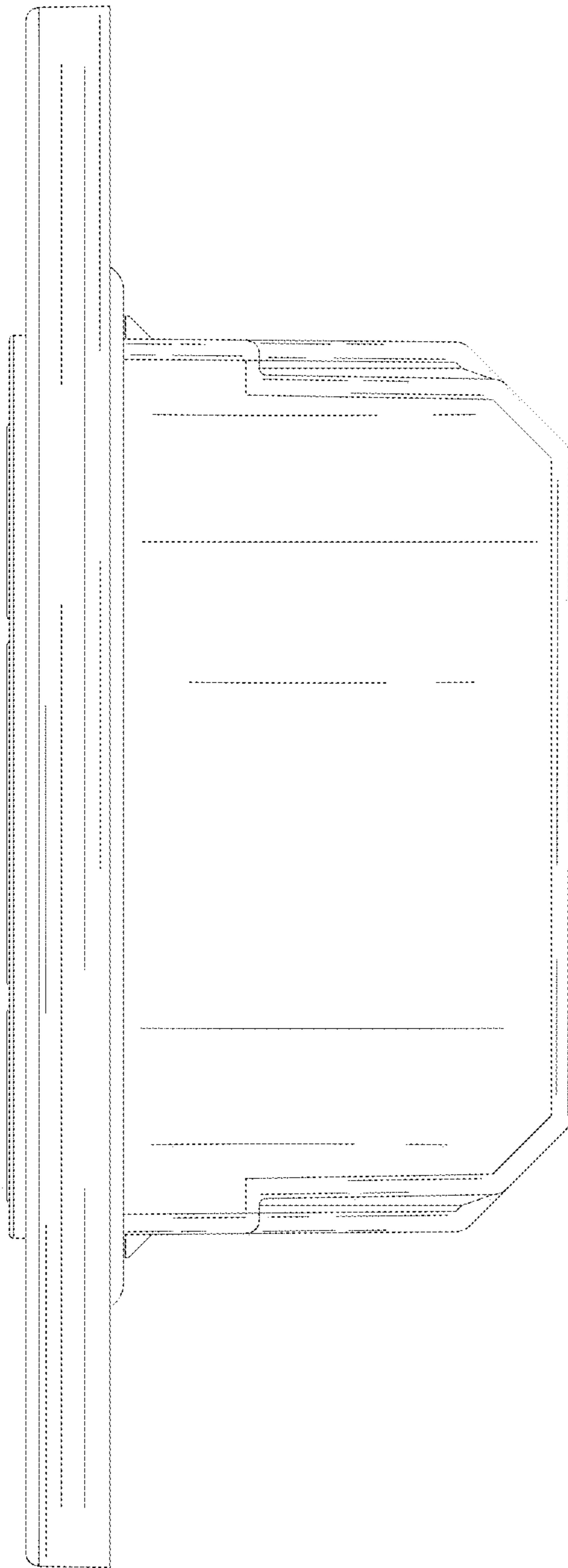


FIG. 6

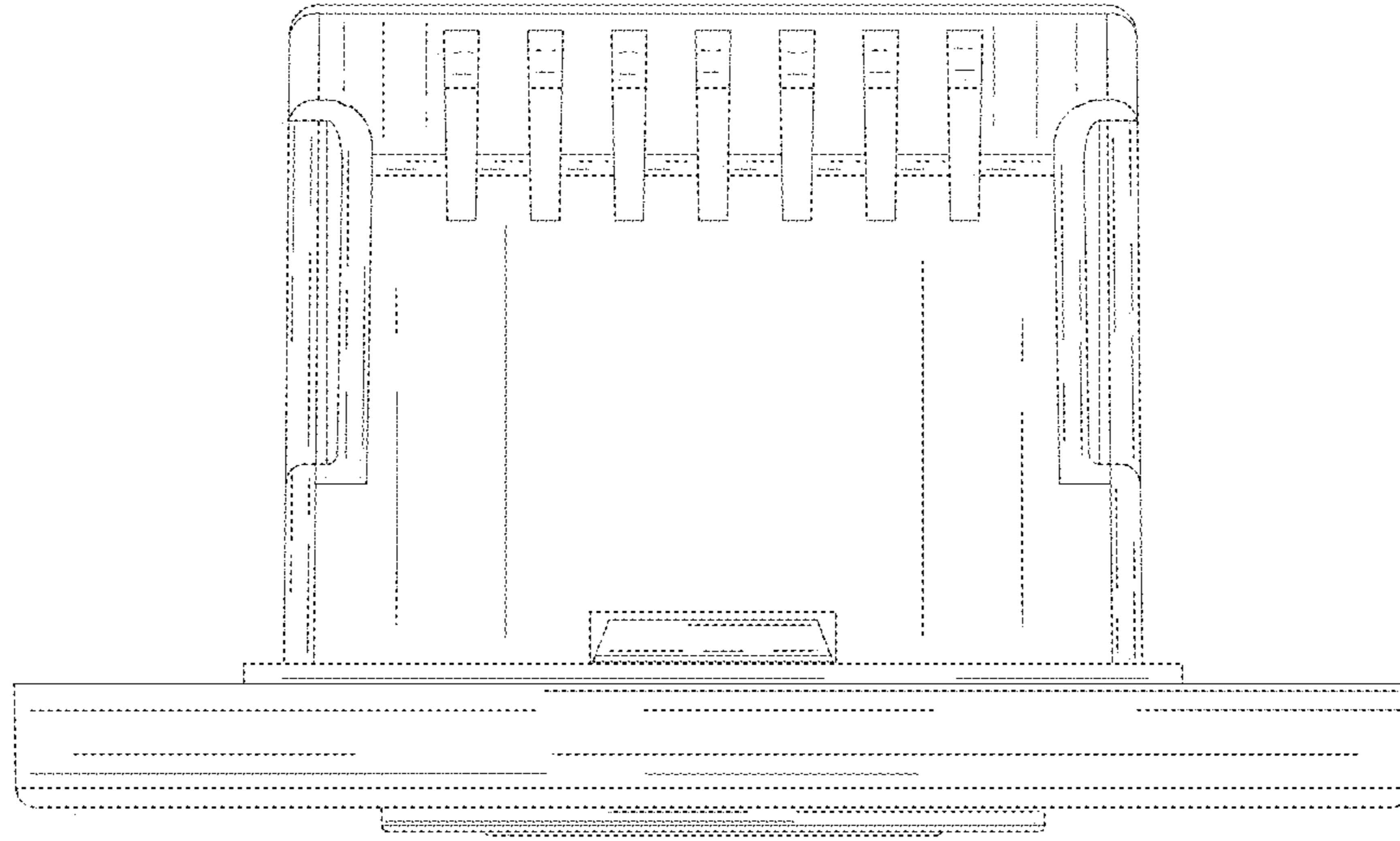


FIG. 7

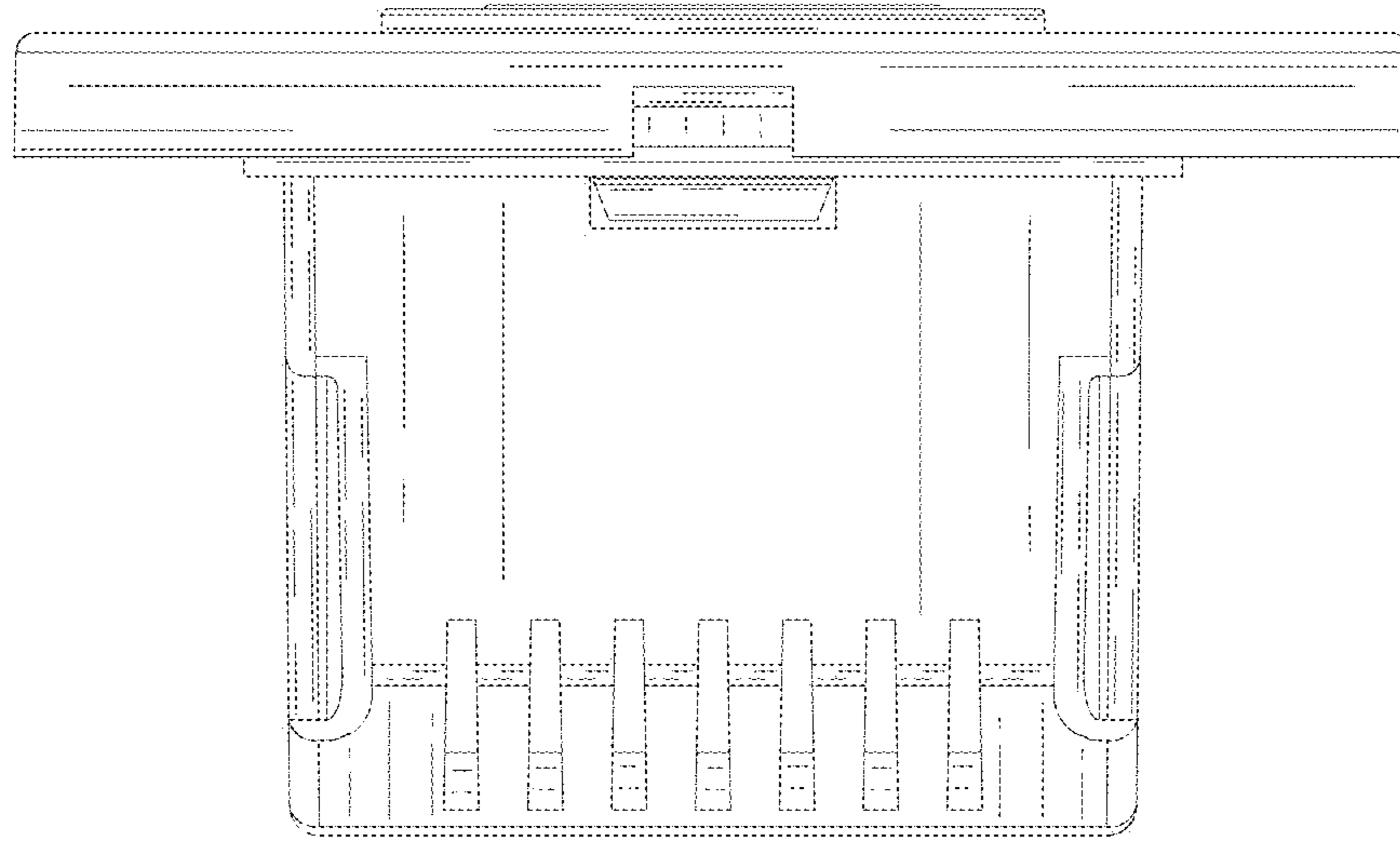


FIG. 8