



US00D963594S

(12) **United States Design Patent** (10) **Patent No.:** **US D963,594 S**
Deddens et al. (45) **Date of Patent:** **** Sep. 13, 2022**

(54) **TOGGLE SWITCHES**
(71) Applicant: **DEKA Products Limited Partnership,**
Manchester, NH (US)
(72) Inventors: **Robert W. Deddens,** Bedford, NH
(US); **Trevor A. Conway,** Manchester,
NH (US); **Robert Bowman,** Bow, NH
(US); **Thomas A. Doyon,** Manchester,
NH (US)
(73) Assignee: **DEKA Products Limited Partnership,**
Manchester, NH (US)
(**) Term: **15 Years**

7,525,052 B2 * 4/2009 Novelle B60N 2/0228
200/5 R
D680,502 S * 4/2013 McMillen D13/164
D750,574 S * 3/2016 Deyaf D13/164
D768,580 S * 10/2016 Thompson D13/164
D867,306 S * 11/2019 Deyaf D13/164
11,306,889 B1 * 4/2022 Wesley G08C 17/02
2005/0077154 A1 * 4/2005 Weston H01H 13/06
200/4
2016/0035508 A1 * 2/2016 Murata H01H 9/182
200/313
2016/0358730 A1 * 12/2016 Dodomeki H01H 25/041
2018/0114656 A1 * 4/2018 Salagean H01H 23/16
2018/0114664 A1 * 4/2018 Salagean B60N 2/0228
2020/0042103 A1 * 2/2020 Su G06F 3/0202
2021/0304985 A1 * 9/2021 Yamagata H05K 7/1427

* cited by examiner

(21) Appl. No.: **29/768,486**
(22) Filed: **Jan. 29, 2021**
(51) **LOC (13) Cl.** **13-03**
(52) **U.S. Cl.**
USPC **D13/164**
(58) **Field of Classification Search**
USPC D13/162, 164, 169, 174
CPC .. H01H 9/02; H01H 9/16; H01H 9/18; H01H
9/181; H01H 9/182; H01H 23/02; H01H
23/025; H01H 23/04; H01H 23/08; H01H
23/12; H01H 23/14; H01H 23/145; H01H
13/023; H01H 13/04; H01H 13/06; H01H
2009/187; H05B 39/02; H05B 39/04;
H05B 39/085; H05B 39/086; H05B
39/088; G08C 17/02
See application file for complete search history.

Primary Examiner — Selina Sikder
(74) *Attorney, Agent, or Firm* — Kathleen Chapman

(57) **CLAIM**

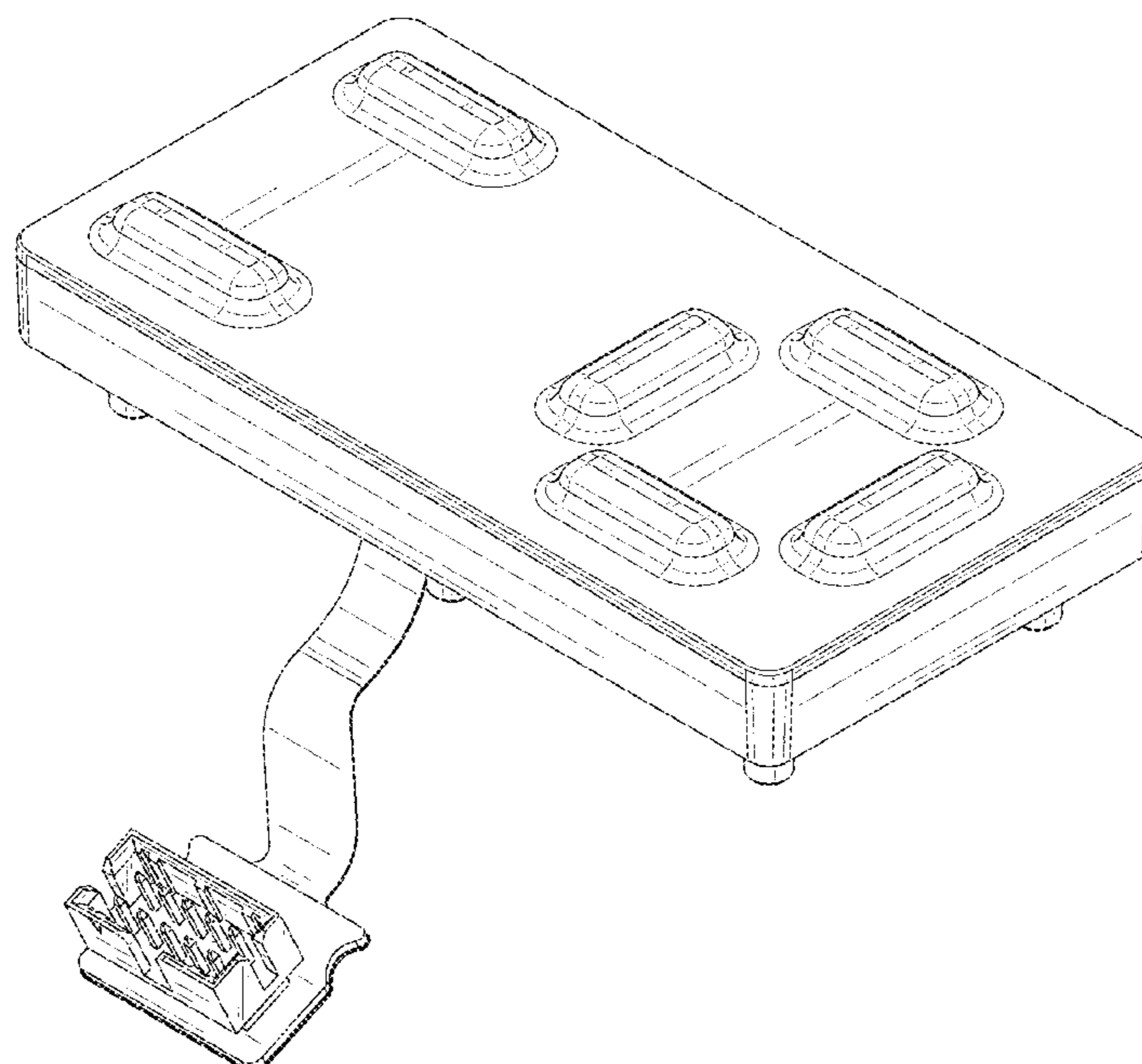
The ornamental design of toggle switches, as shown and described.

DESCRIPTION

FIG. 1 is a front, top, right side perspective view of the toggle switches, showing our new design; FIG. 2 is a front side elevational view thereof; FIG. 3 is a rear side elevational view thereof; FIG. 4 is a left side elevational view thereof; FIG. 5 is a right side elevational view thereof; FIG. 6 is a top plan view thereof; and, FIG. 7 is a bottom plan view thereof.

(56) **References Cited**
U.S. PATENT DOCUMENTS
D255,564 S * 6/1980 Brooksby D13/164
5,128,500 A * 7/1992 Hirschfeld H01H 13/84
361/752

1 Claim, 7 Drawing Sheets



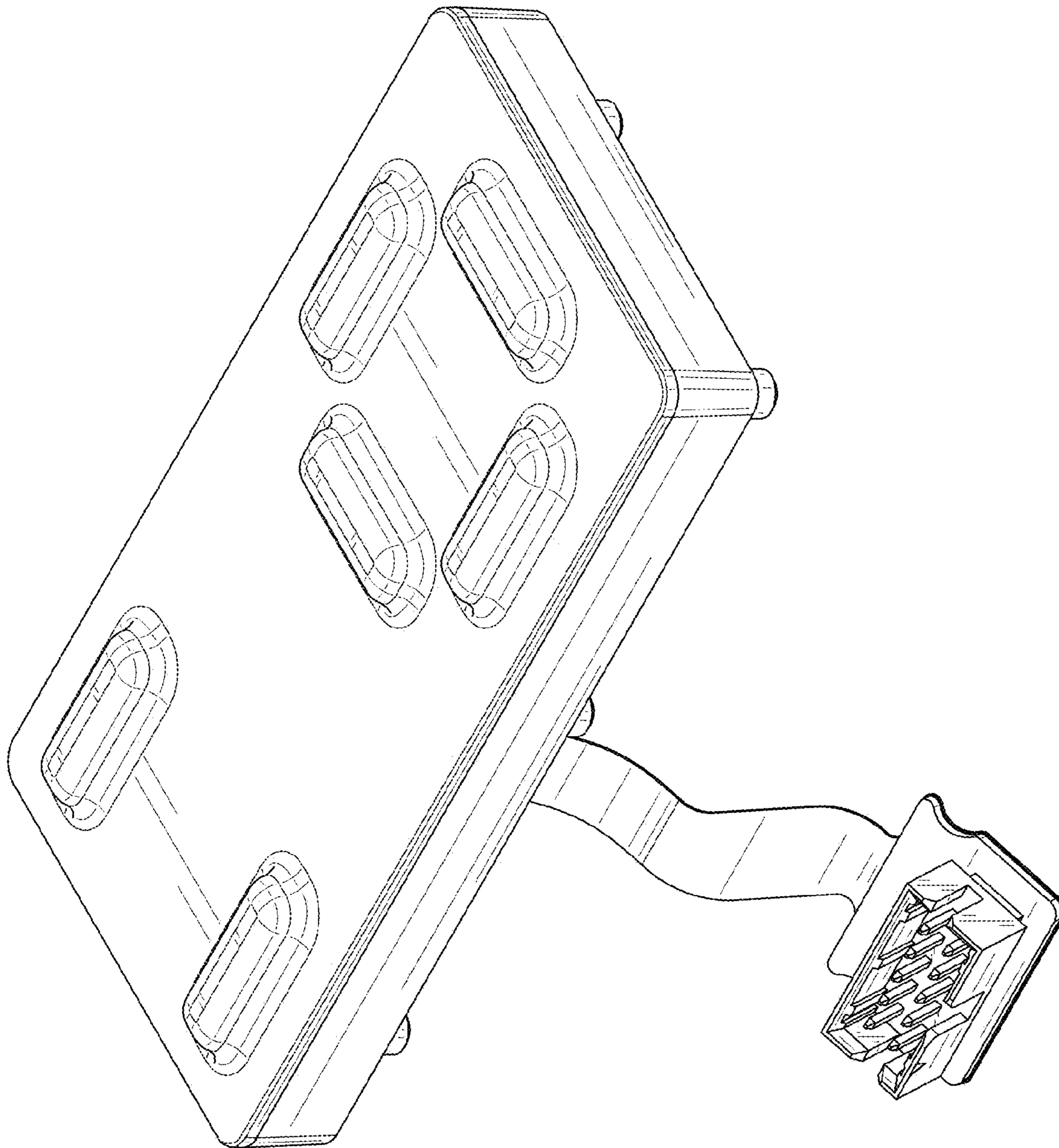


FIG. 1

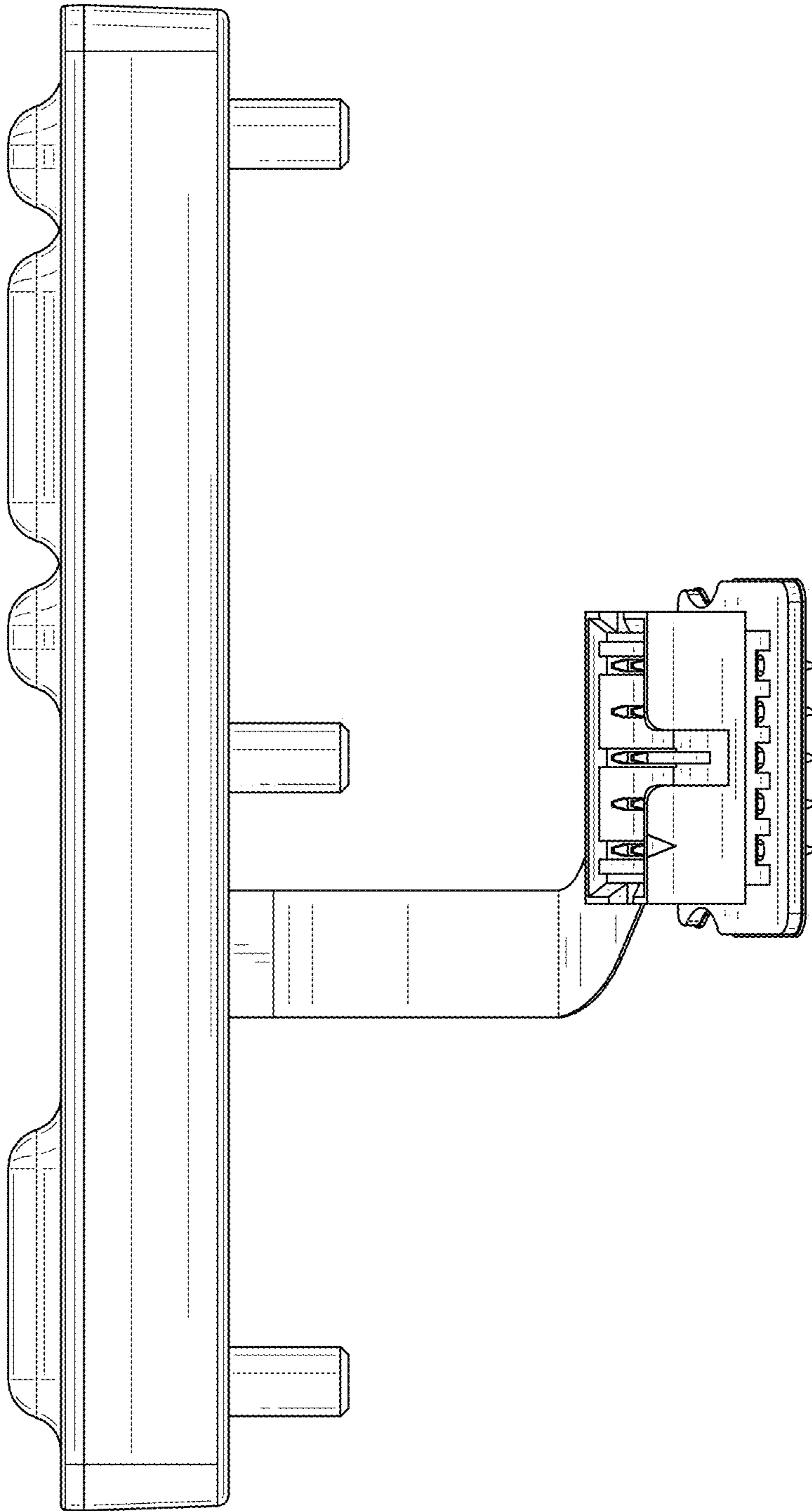


FIG. 2

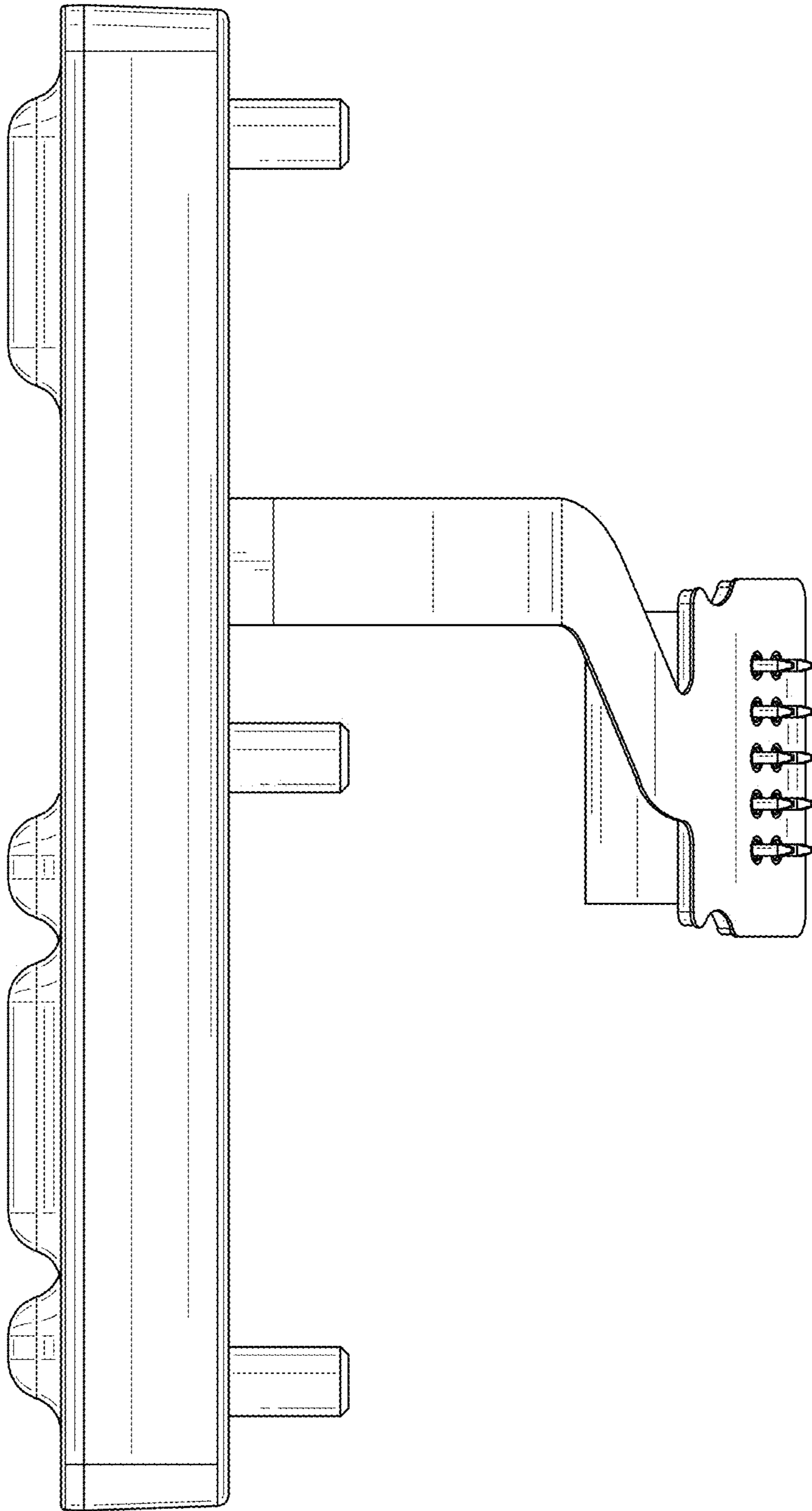


FIG. 3

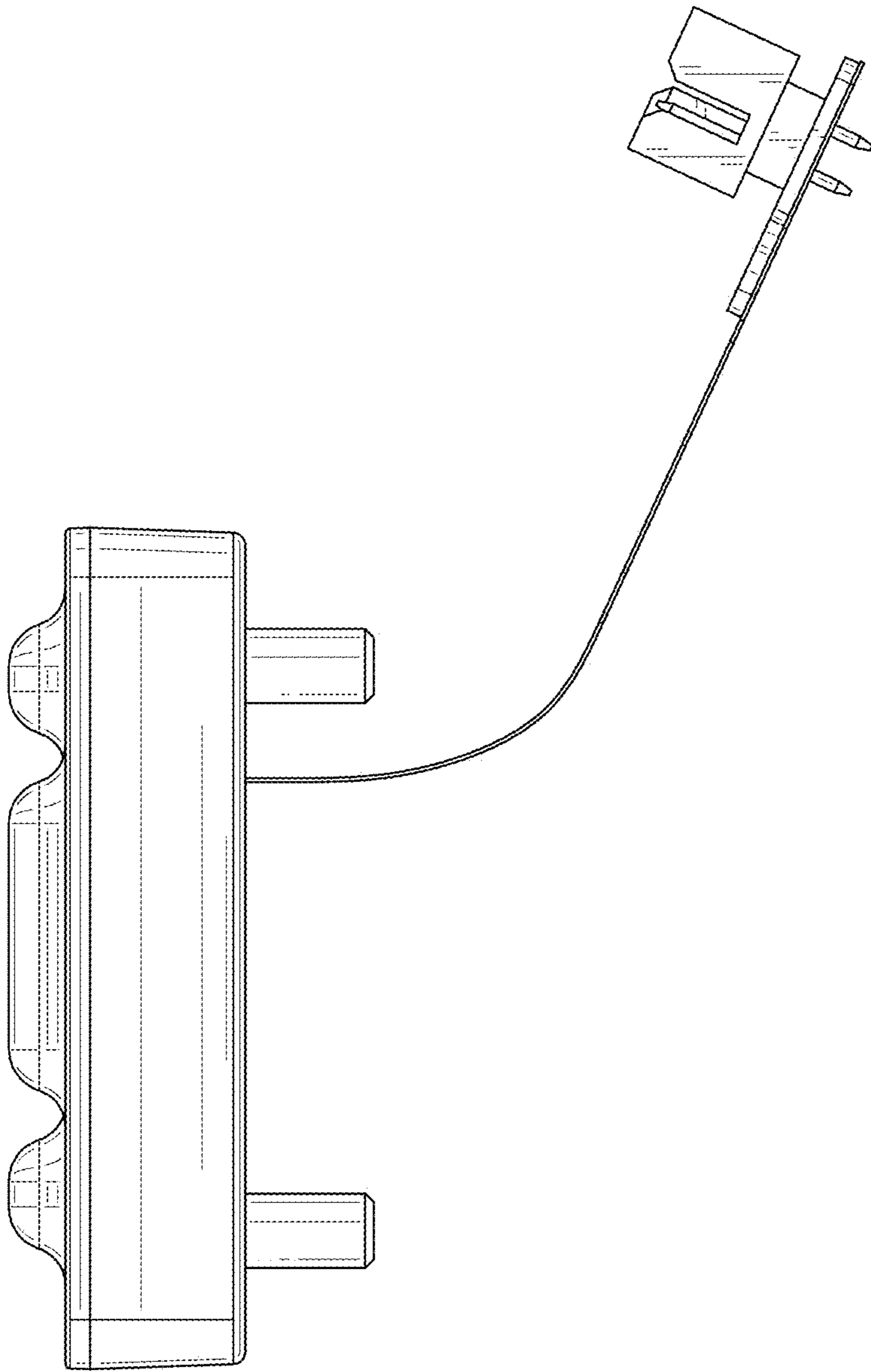


FIG. 4

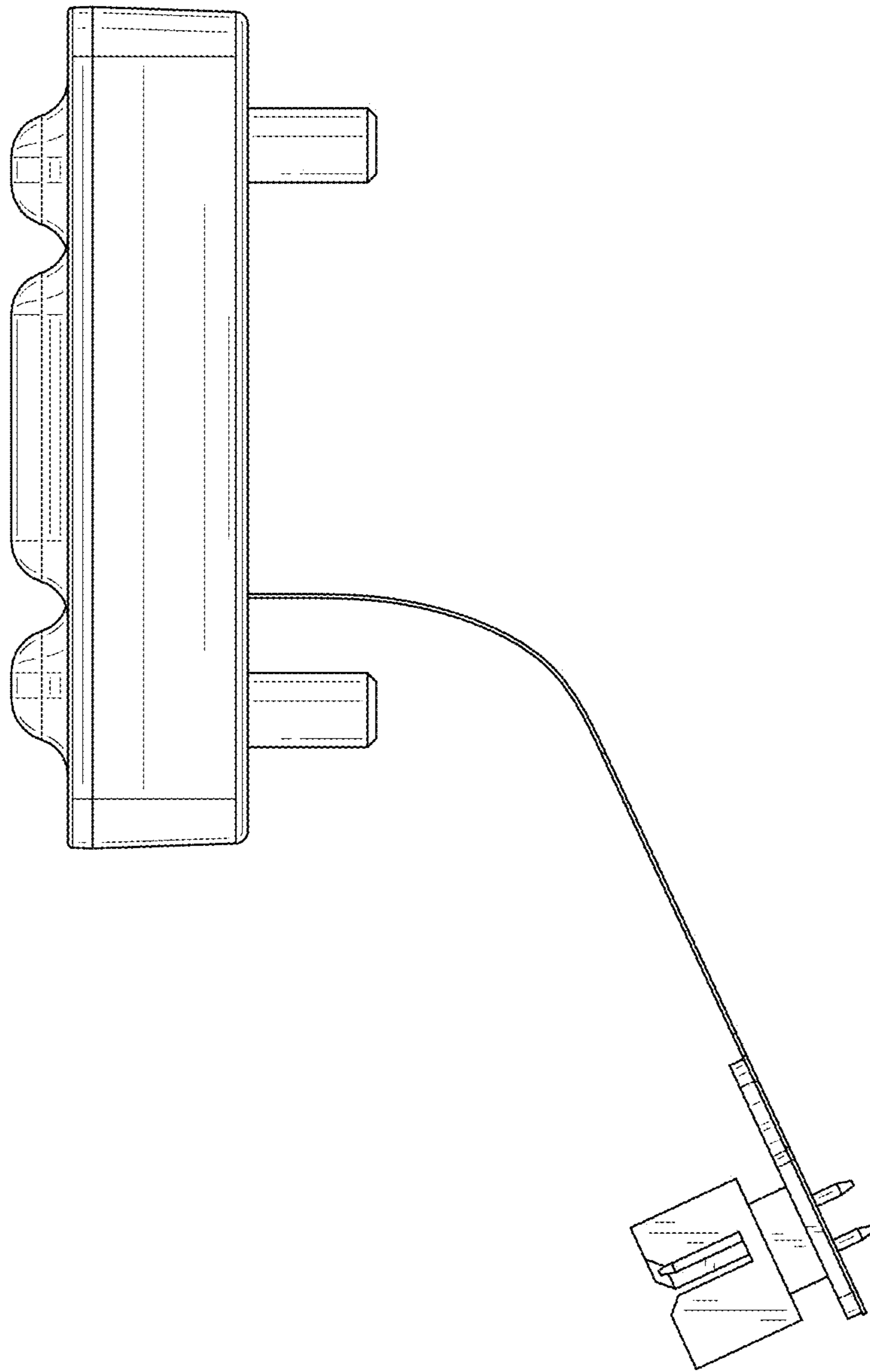


FIG. 5

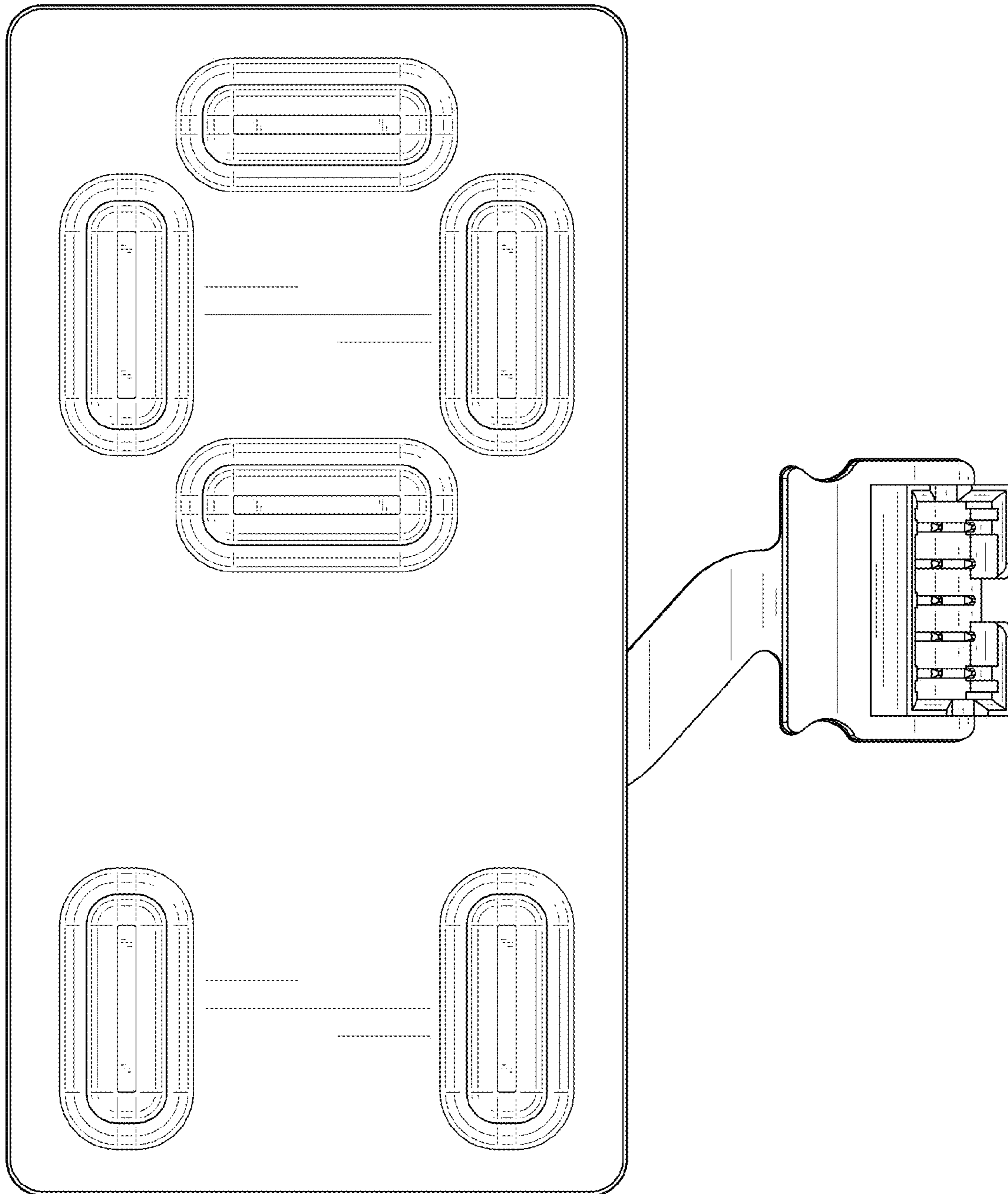


FIG. 6

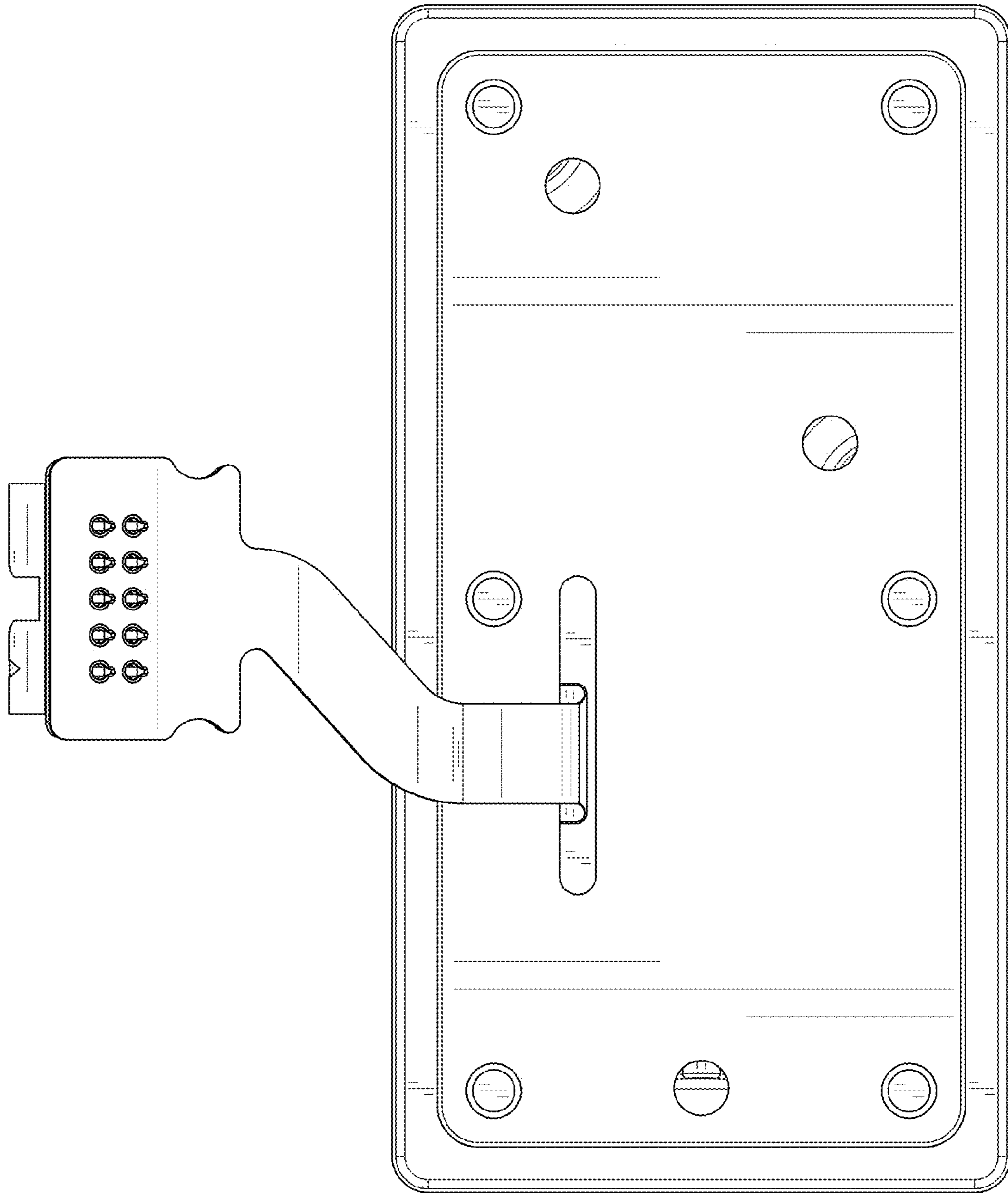


FIG. 7