



US00D963593S

(12) **United States Design Patent**  
**Wang et al.**

(10) **Patent No.:** **US D963,593 S**  
(45) **Date of Patent:** **\*\* Sep. 13, 2022**

(54) **PANEL PROTECTION BOX**

FOREIGN PATENT DOCUMENTS

(71) Applicant: **Ningbo Eudemon Child Protective Equipment Co., Ltd., Zhejiang (CN)**

CA 77778 \* 12/1995  
KR 301048225.0000 \* 3/2020 ..... 13/3

(72) Inventors: **Xu Wang, Zhejiang (CN); Zhen Zhang, Zhejiang (CN)**

OTHER PUBLICATIONS

(73) Assignee: **NINGBO EUDEMON CHILD PROTECTIVE EQUIPMENT CO., LTD., Zhejiang (CN)**

nymag.com, site visited Apr. 11, 2022, "All the Not-Totally-Hideous Things I Use to Babyproof My House" by Steven John, published Jun. 4, 2018 features the LectraLock Baby Safety Electrical Outlet Cover, <https://nymag.com/strategist/article/best-baby-proofing-products.html> (Year: 2018).\*

(\*\*) Term: **15 Years**

(Continued)

(21) Appl. No.: **29/735,883**

*Primary Examiner* — Brett Miller

(22) Filed: **May 26, 2020**

*Assistant Examiner* — Jessica M Gebhart

(51) **LOC (13) Cl.** ..... **13-03**

(74) *Attorney, Agent, or Firm* — Muncy, Geissler, Olds & Lowe, P.C.

(52) **U.S. Cl.**

USPC ..... **D13/156; D3/273**

(58) **Field of Classification Search**

USPC ..... D3/272, 273, 294; D6/632–634; D9/420–424; D13/156, 184; D14/300, D14/308, 348–349; D99/28

CPC ..... H01R 13/44

See application file for complete search history.

(57) **CLAIM**

The ornamental design for a panel protection box, as shown and described.

**DESCRIPTION**

(56) **References Cited**

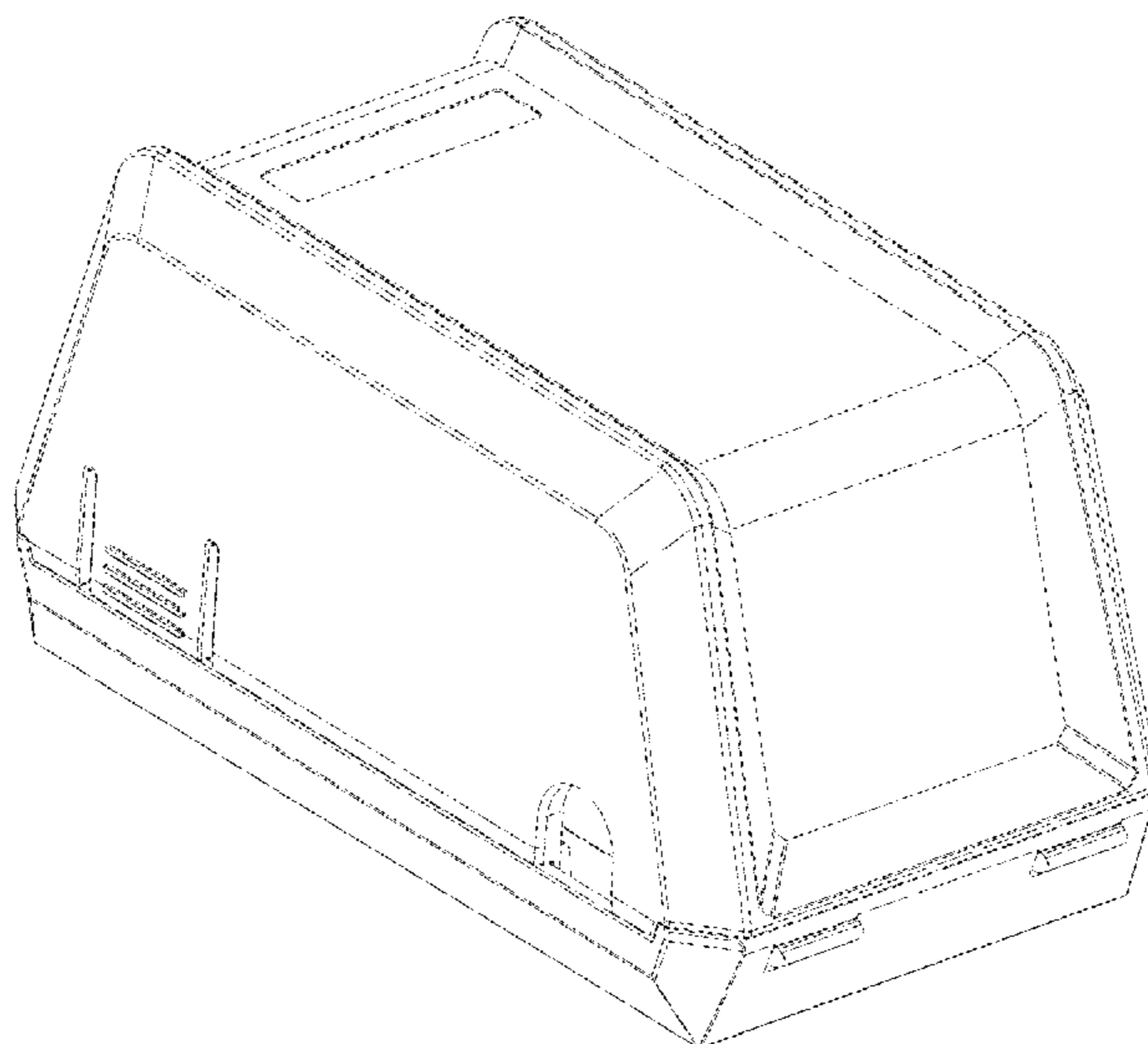
U.S. PATENT DOCUMENTS

3,013,105 A \* 12/1961 Craig ..... H01R 13/72  
174/67  
4,530,555 A \* 7/1985 South ..... H02G 3/14  
439/135  
4,593,541 A \* 6/1986 Hollis ..... H01R 13/6395  
174/67  
4,851,612 A \* 7/1989 Peckham ..... H01R 13/6395  
174/67  
D332,088 S \* 12/1992 Nimpoeno ..... D13/184  
5,195,901 A \* 3/1993 Correnti ..... H01R 13/447  
174/67  
5,218,169 A \* 6/1993 Riceman ..... H01R 13/447  
174/67

(Continued)

FIG. 1 is a front elevational view of a panel protection box showing my new design;  
FIG. 2 is a rear elevational view thereof;  
FIG. 3 is a left sideview thereof;  
FIG. 4 is a right sideview thereof;  
FIG. 5 is a top planview thereof;  
FIG. 6 is a bottom plan view thereof; and  
FIG. 7 is a perspective view from left side thereof;  
FIG. 8 is a perspective view from bottom side thereof;  
FIG. 9 is a perspective view from right side thereof;  
FIG. 10 is a perspective view from bottom side thereof;  
FIG. 11 is a perspective view from bottom side thereof; and,  
FIG. 12 is a perspective view from left side thereof.

**1 Claim, 12 Drawing Sheets**



(56)

**References Cited**

## U.S. PATENT DOCUMENTS

5,252,083 A \* 10/1993 Correnti ..... H01R 13/6395  
174/67  
5,382,755 A \* 1/1995 Correnti ..... H01R 13/447  
174/67  
D397,995 S \* 9/1998 Lamar ..... D13/156  
6,806,426 B1 \* 10/2004 Gretz ..... H02G 3/14  
174/67  
7,164,083 B1 \* 1/2007 Carroll ..... H01R 13/447  
174/67  
7,179,996 B1 \* 2/2007 Britt ..... H01R 13/447  
174/67  
7,410,372 B2 \* 8/2008 Johnson ..... H02G 3/14  
439/142  
D678,212 S \* 3/2013 Peckham ..... D13/156  
D679,255 S \* 4/2013 Peckham ..... D13/156  
D758,844 S \* 6/2016 Beckerman ..... D9/424

## OTHER PUBLICATIONS

Amazon.ca, site visited Apr. 11, 2022, Dreambaby Dual Fit Plug and Electrical Outlet Cover, First available Mar. 2, 2019, <https://www.amazon.ca/Dreambaby-Dual-Electrical-Outlet-Cover/dp/B07K4PQW8F> (Year: 2019).\*

Homedepot.com, site visited Apr. 12, 2022, Safety1st Outlet Cover, oldest review Sep. 24, 2019 <https://www.homedepot.com/p/Safety-1st-Outlet-Cover-with-Cord-Shortener-48308/205904465> (Year: 2019).\*

Amazon.ca, site visited Apr. 12, 2022, Little Chicks Baby Plug and Outlet Covers, First available Oct. 13, 2019, <https://www.amazon.ca/Little-Chicks-Outlet-Cover-Piece/dp/B07MP6VMFX> (Year: 2019).\*

\* cited by examiner

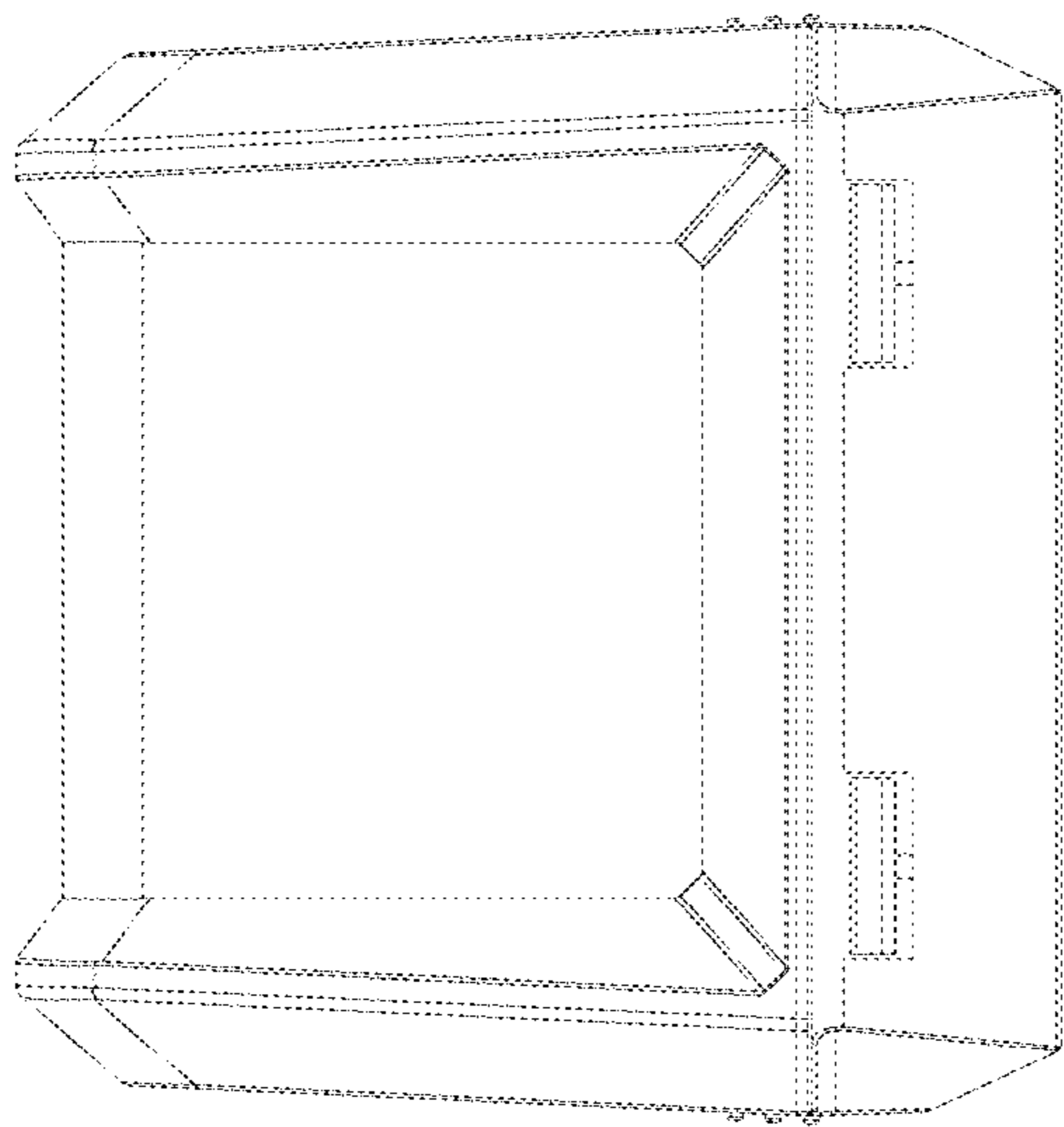


Fig. 1

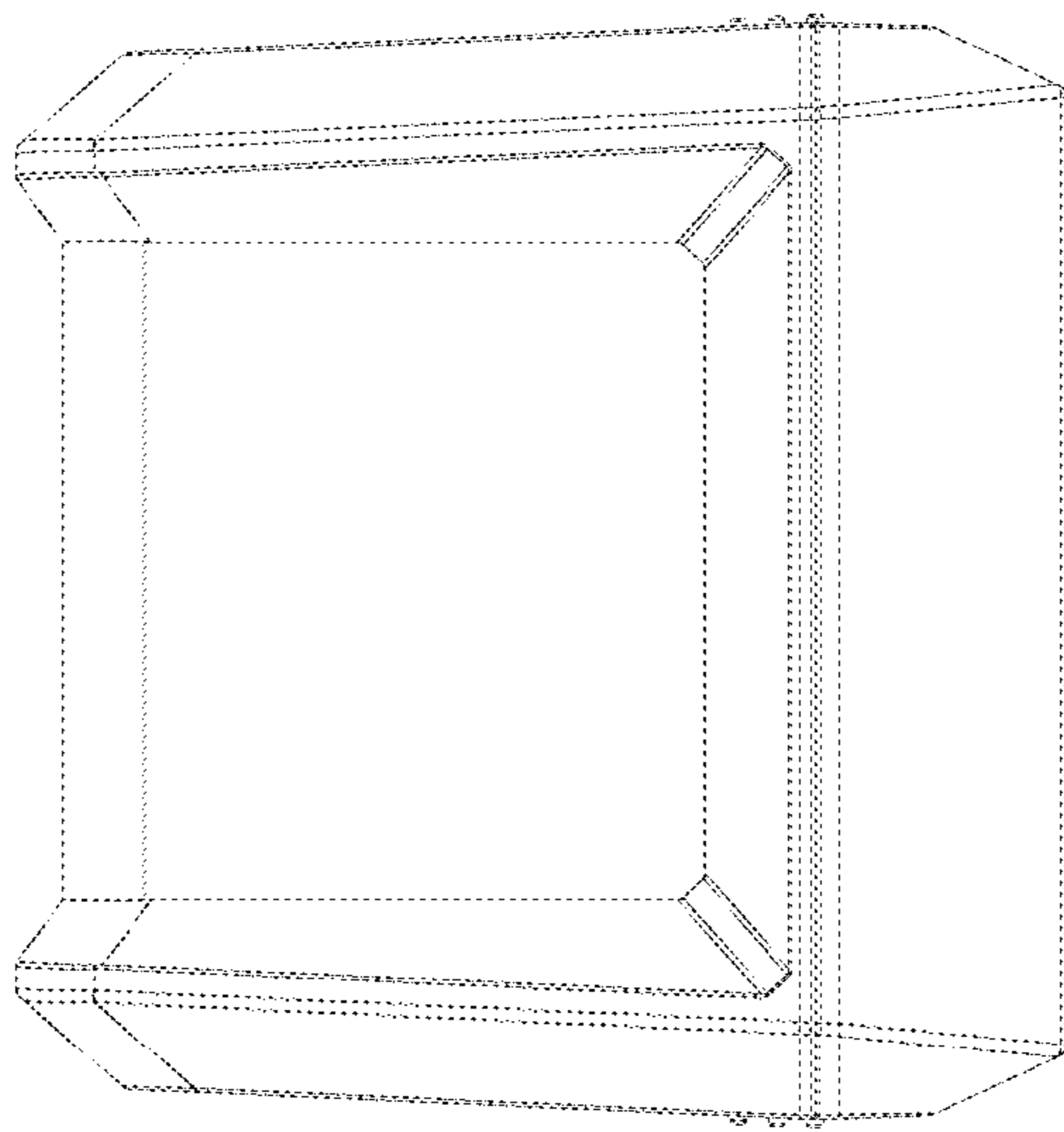


Fig. 2

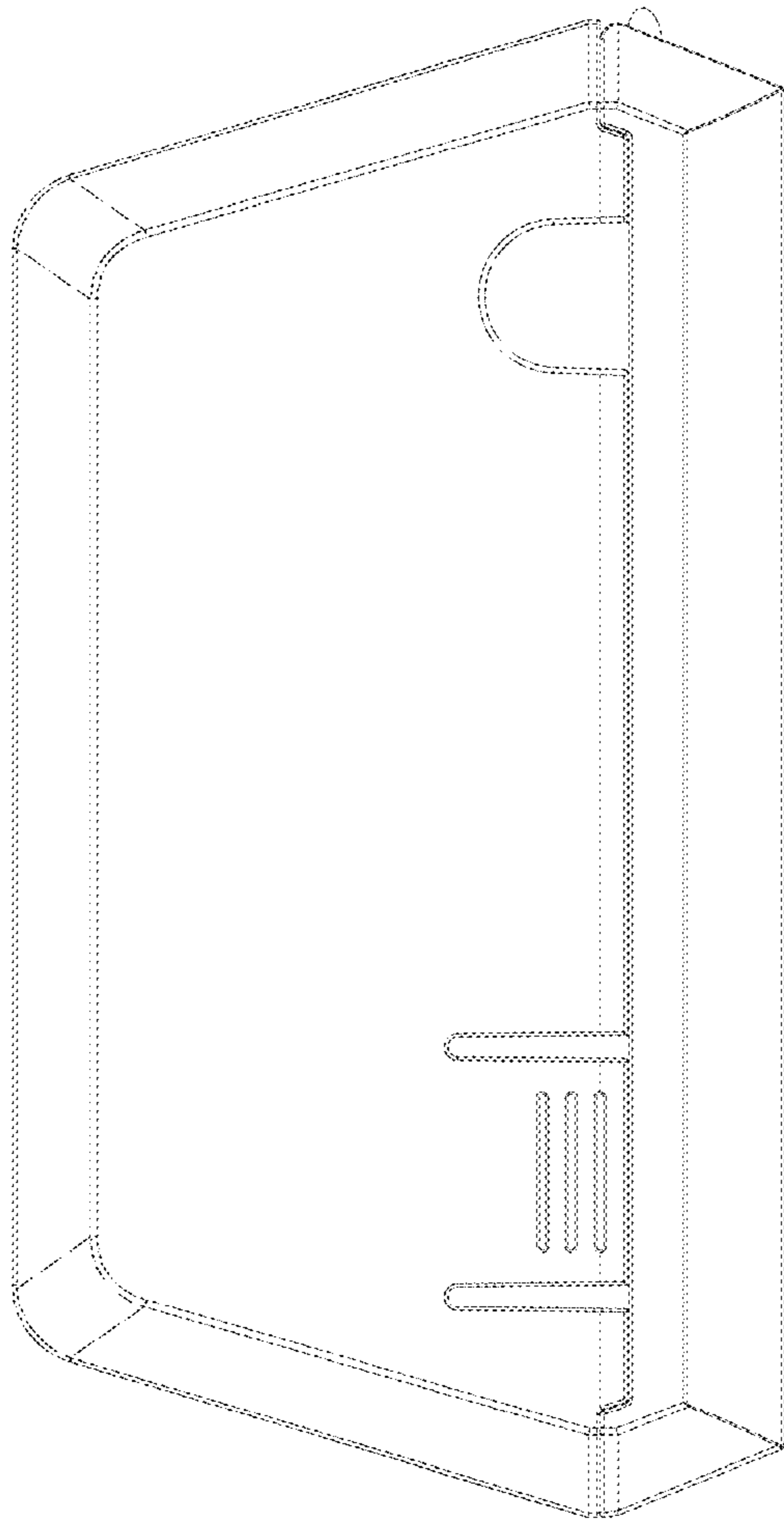


Fig. 3

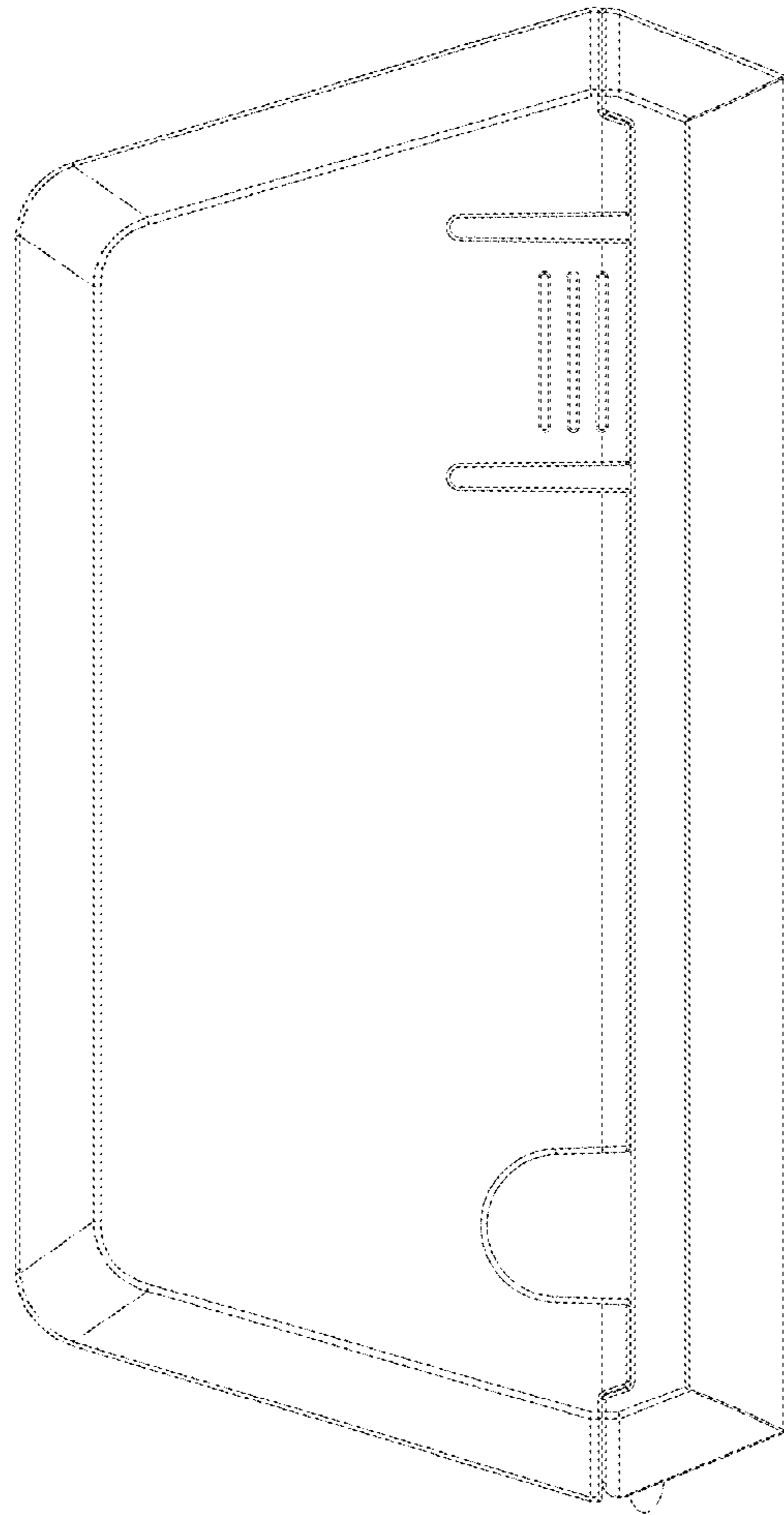


Fig. 4

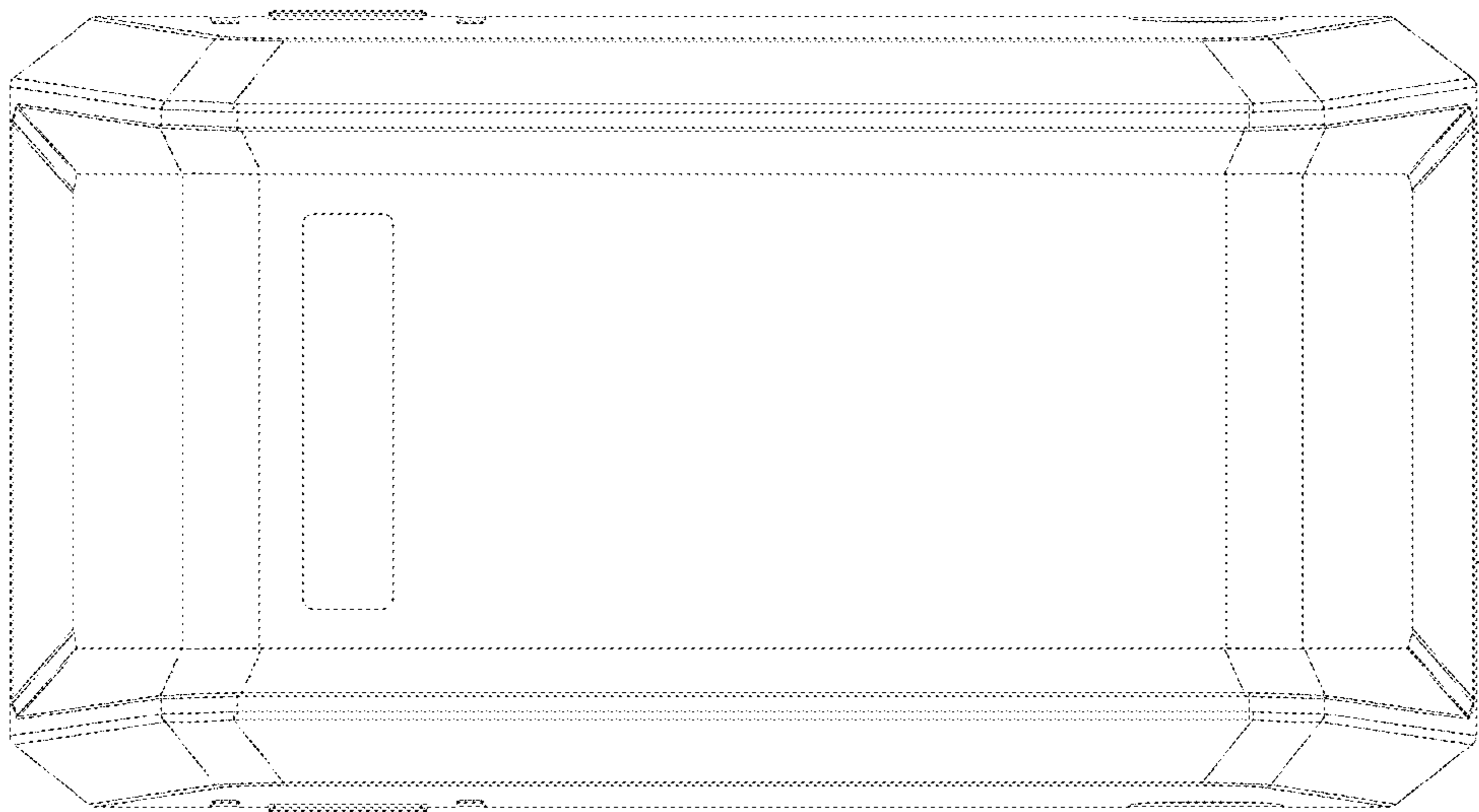


Fig. 5



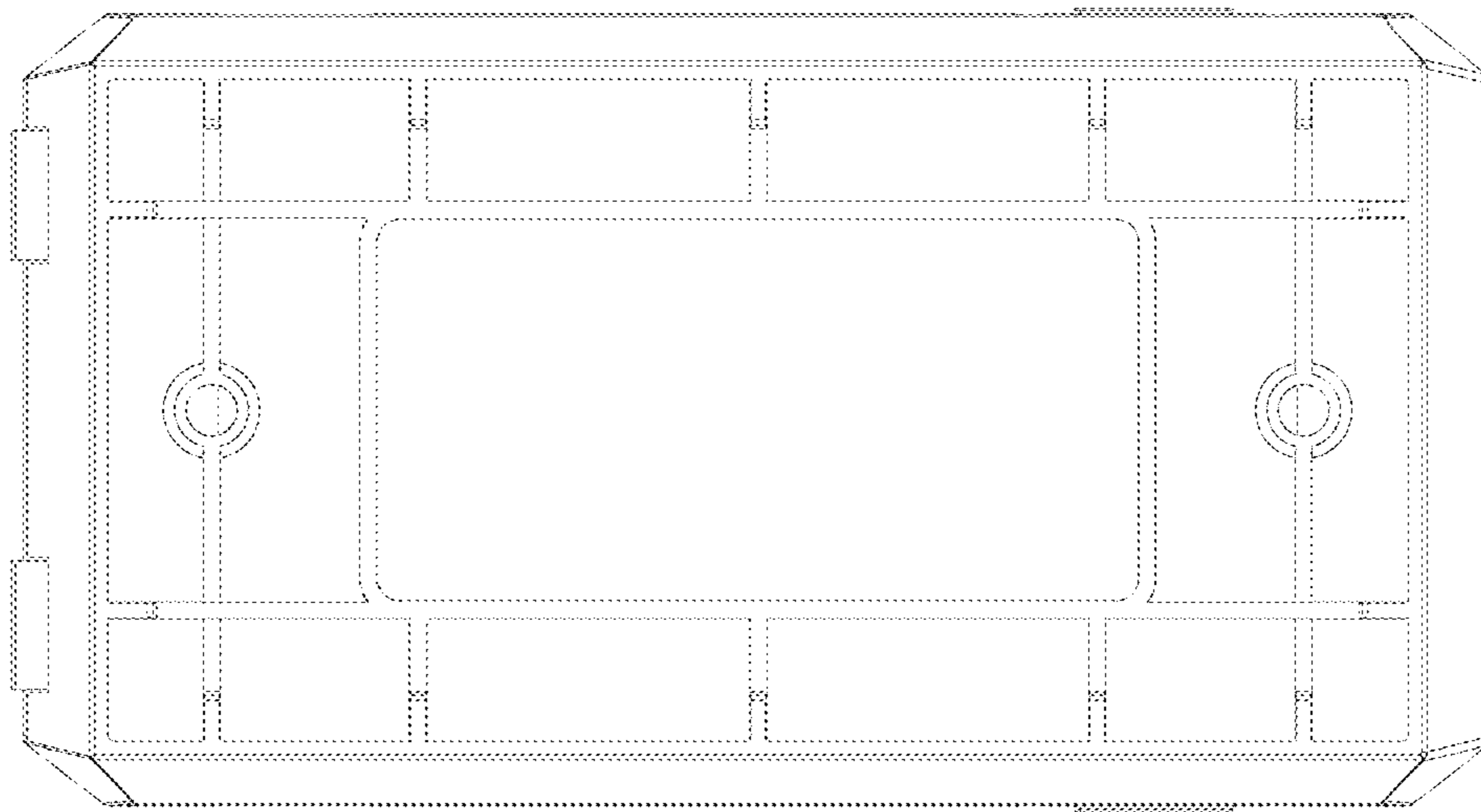


Fig. 6



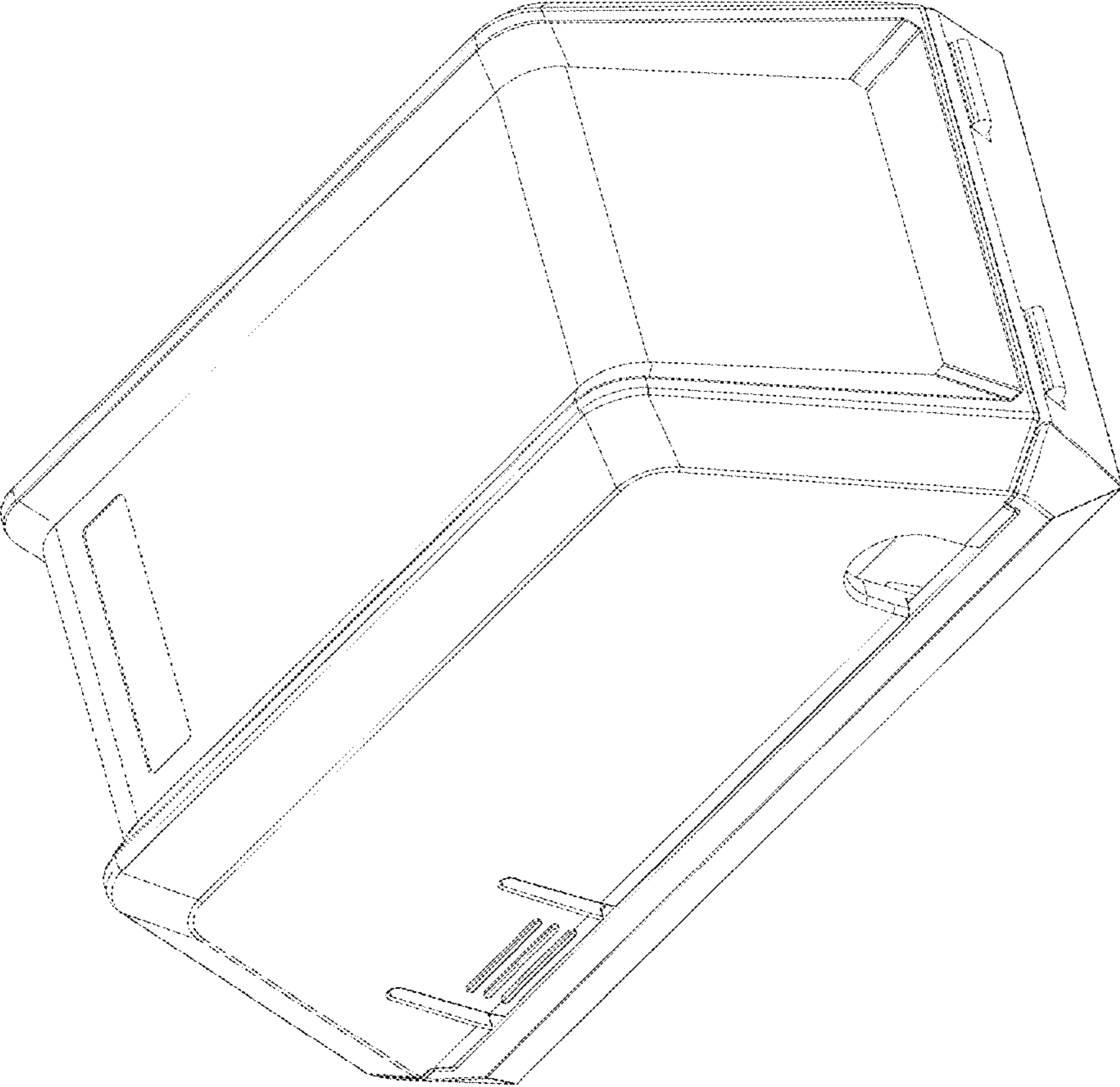


Fig. 7

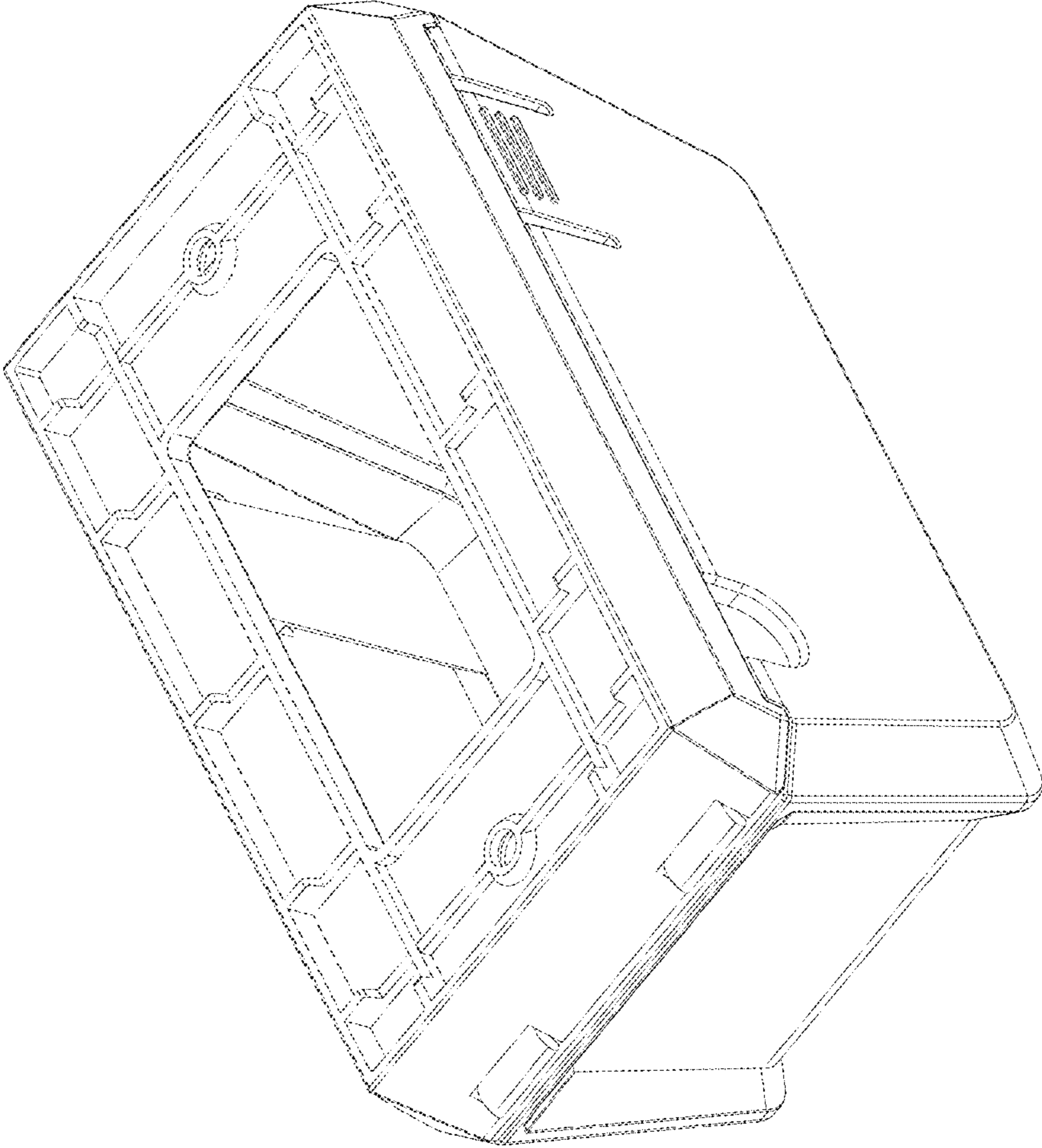


Fig. 8

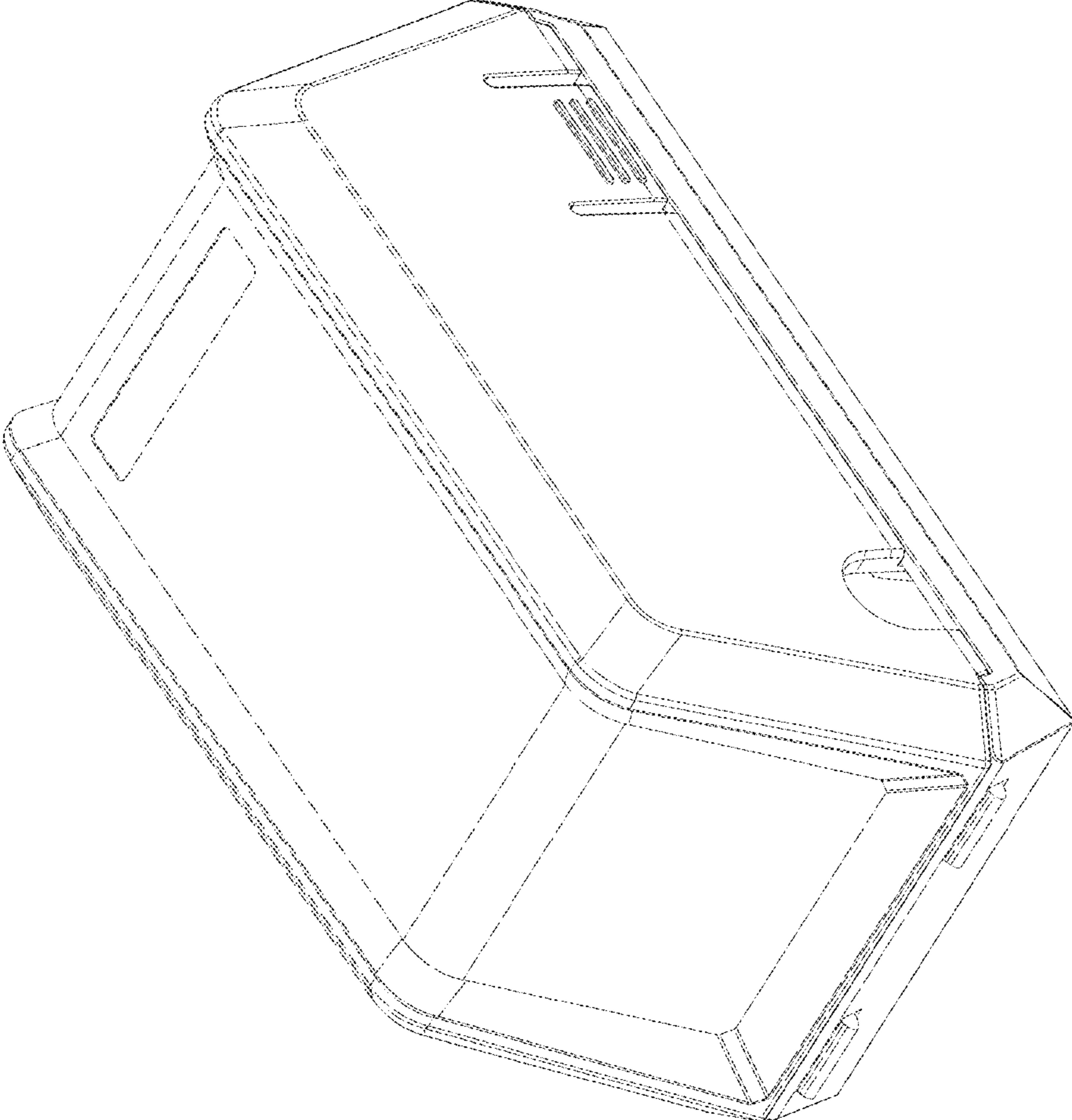


Fig. 9

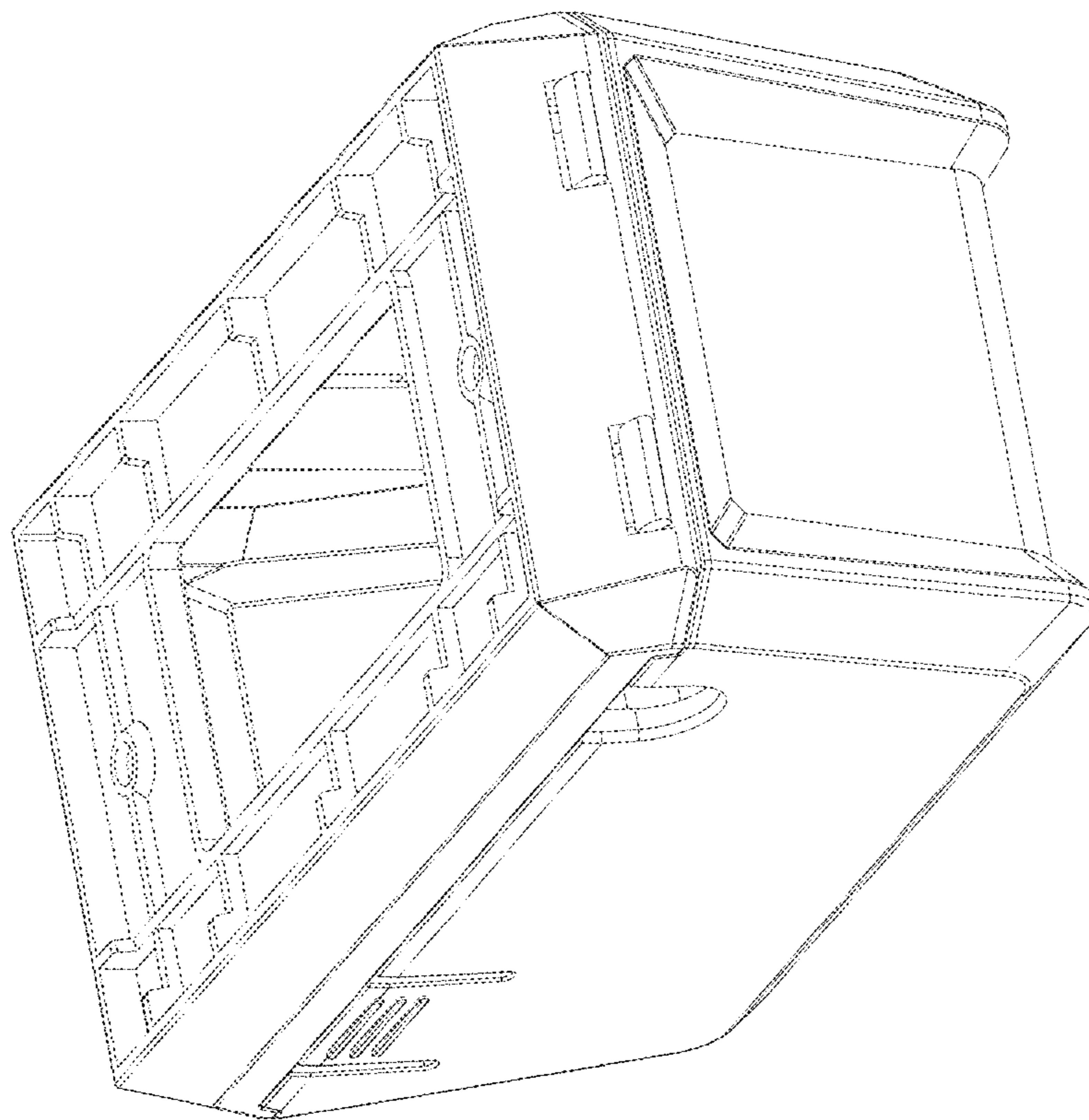


Fig. 10

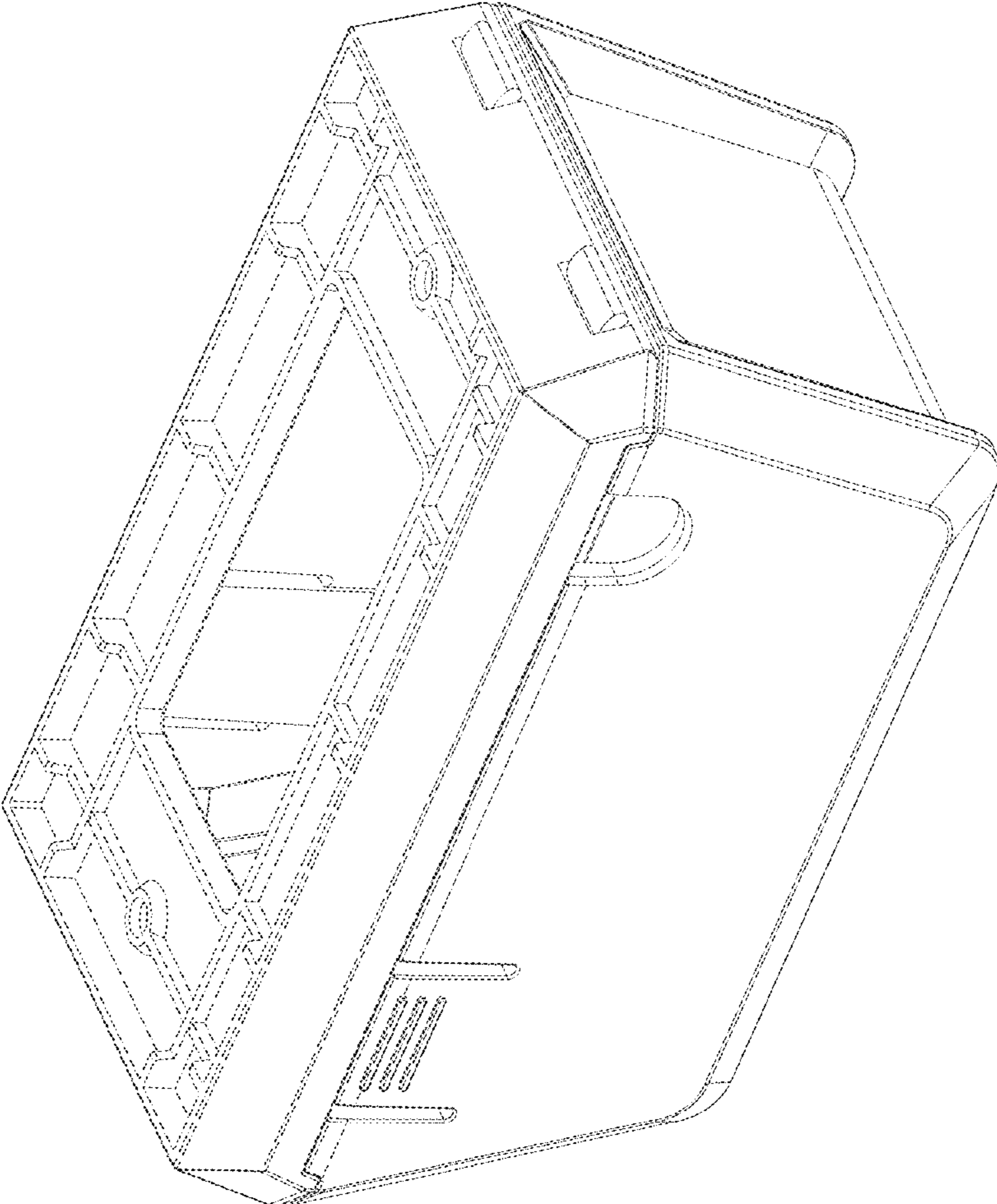


Fig. 11



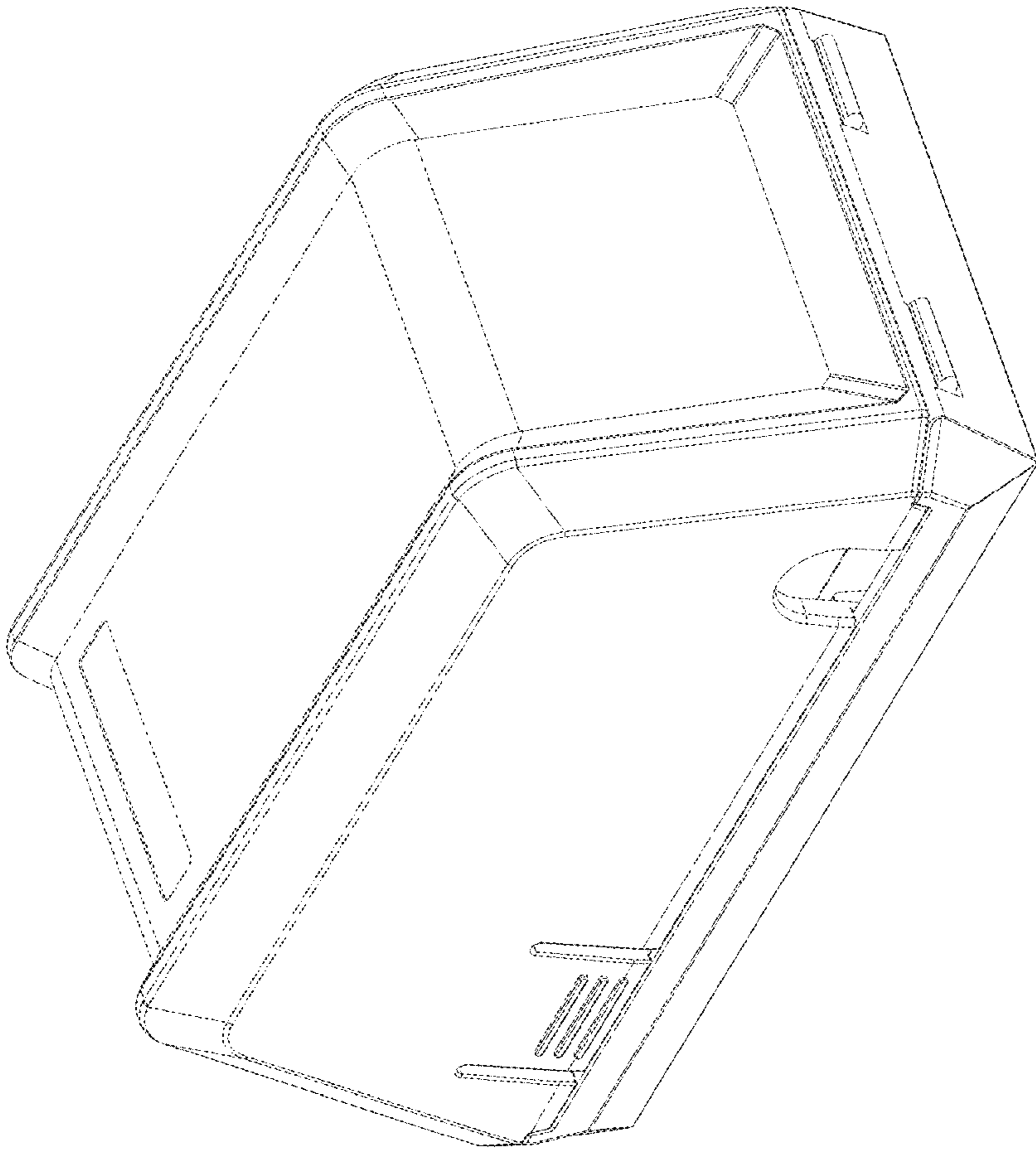


Fig. 12