



US00D963590S

(12) **United States Design Patent**
Kanno

(10) **Patent No.:** **US D963,590 S**
(45) **Date of Patent:** **** Sep. 13, 2022**

(54) **CONNECTOR**

(71) Applicant: **Japan Aviation Electronics Industry, Limited, Tokyo (JP)**

(72) Inventor: **Hideyuki Kanno, Tokyo (JP)**

(73) Assignee: **JAPAN AVIATION ELECTRONICS INDUSTRY, LIMITED, Tokyo (JP)**

(**) Term: **15 Years**

(21) Appl. No.: **29/772,049**

(22) Filed: **Feb. 26, 2021**

(30) **Foreign Application Priority Data**

Oct. 28, 2020 (JP) 2020-023252 D

(51) **LOC (13) Cl.** **13-03**

(52) **U.S. Cl.**
USPC **D13/147**

(58) **Field of Classification Search**
USPC D13/146, 147, 123, 133, 154,
D13/137.1-139.8, 110, 159, 184, 199
CPC H01R 24/28; H01R 13/432; H01R 27/02;
H01R 13/514; H01R 13/64; H01R
13/115; H01R 13/506; H01R 13/648;
H01R 13/62; H01R 13/04; H01R
13/6273; H01L 23/32; H01L 2924/0002;
H01L 2924/00

See application file for complete search history.

(56) **References Cited**

U.S. PATENT DOCUMENTS

D493,423 S * 7/2004 Kubota D13/133
D493,424 S * 7/2004 Kubota D13/133
D494,931 S * 8/2004 Kubota D13/133

D512,375 S * 12/2005 Kubota D13/125
D896,183 S * 9/2020 Musser D13/147
2015/0249301 A1* 9/2015 Yu H01R 24/28
439/345

FOREIGN PATENT DOCUMENTS

CN 306785890 * 8/2021
CN 306794412 * 8/2021
CN 306892827 * 10/2021
CN 307107501 * 2/2022

* cited by examiner

Primary Examiner — Bridget L Eland

(74) *Attorney, Agent, or Firm* — Manabu Kanesaka

(57) **CLAIM**

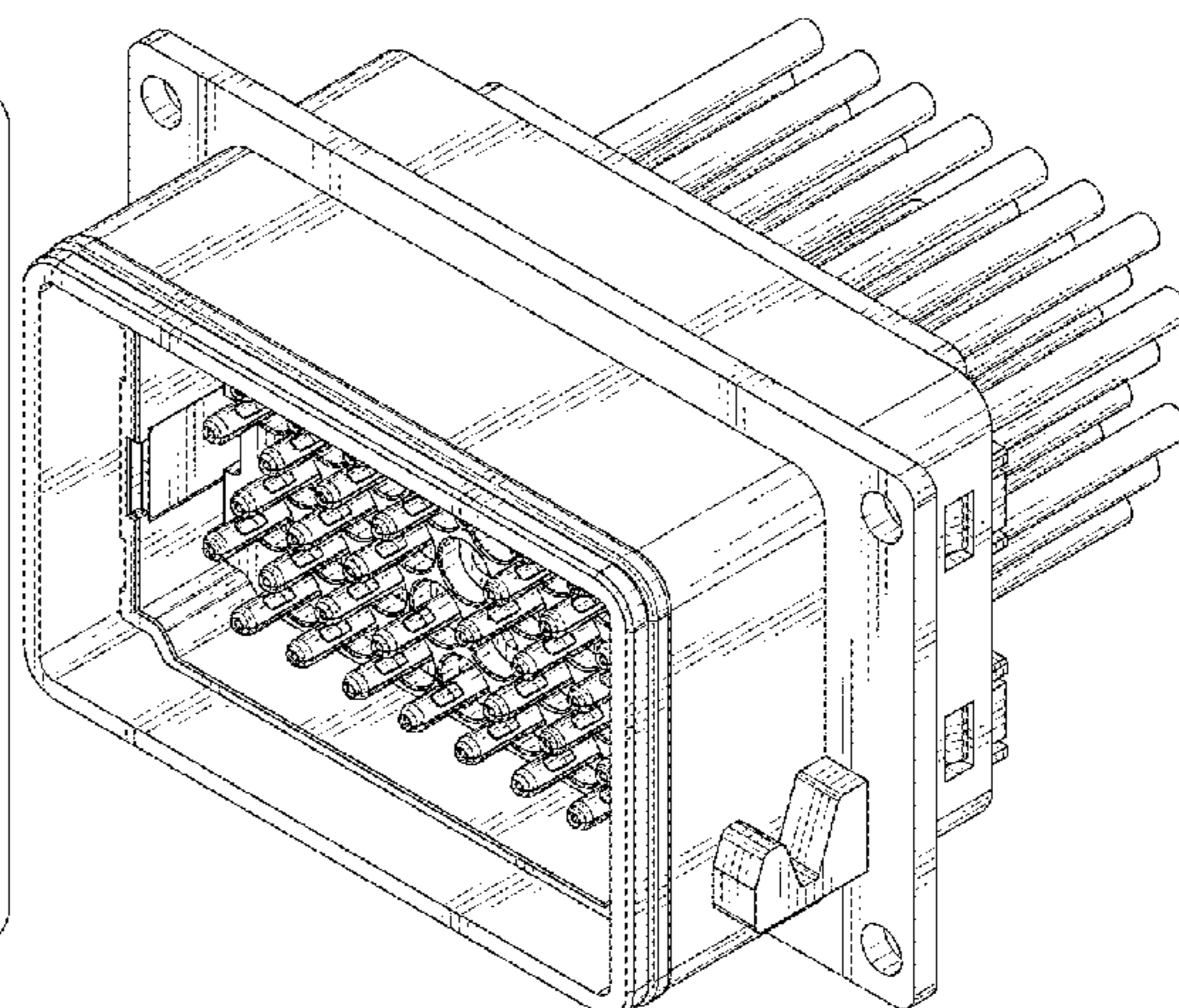
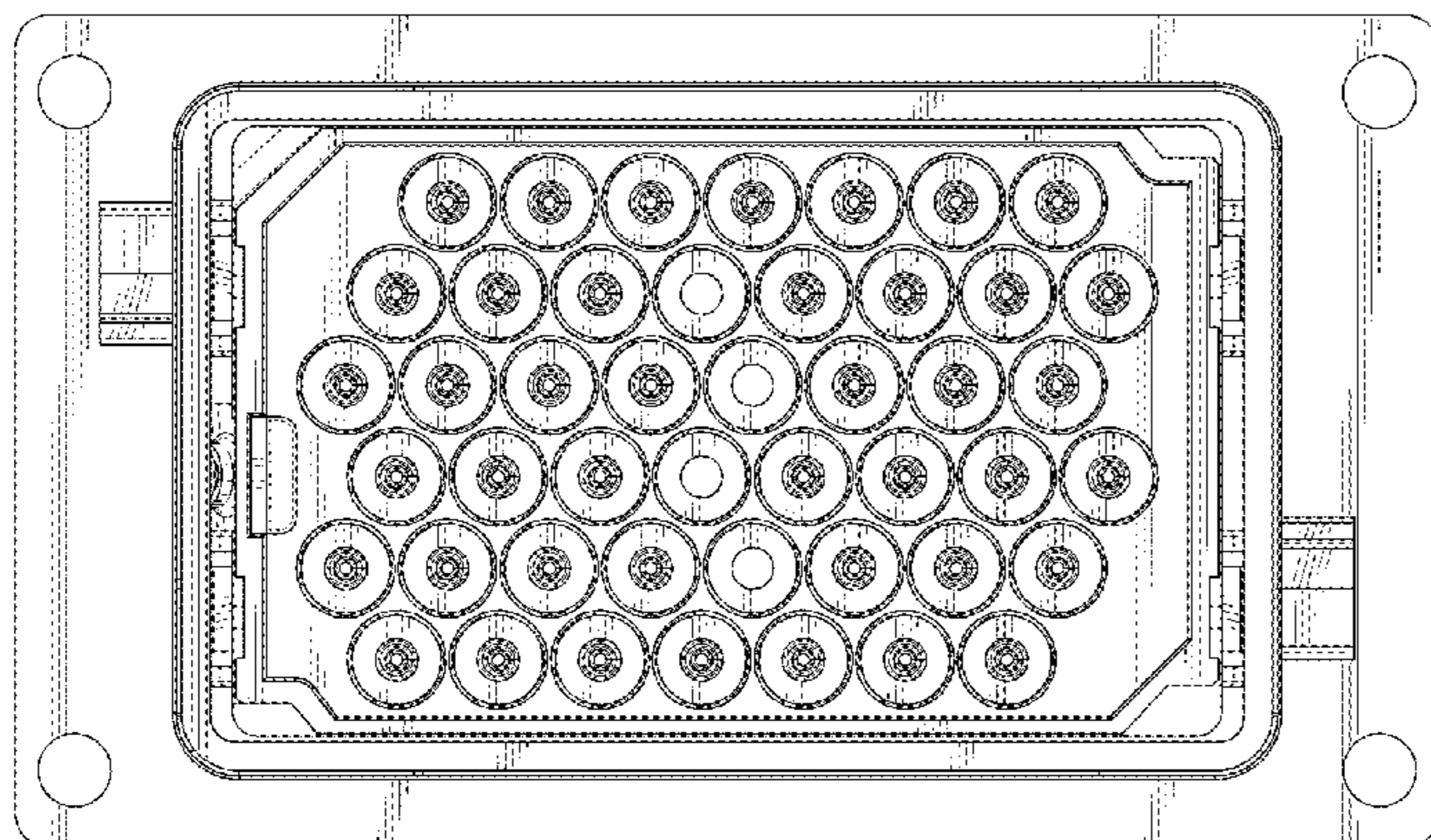
The ornamental design for a connector, as shown and described.

DESCRIPTION

FIG. 1 is a front elevational view of a connector showing my new design;
FIG. 2 is a rear elevational view thereof;
FIG. 3 is a right side elevational view thereof;
FIG. 4 is a left side elevational view thereof;
FIG. 5 is a top plan view thereof;
FIG. 6 is a bottom plan view thereof;
FIG. 7 is a perspective view showing a front, top and right side thereof;
FIG. 8 is a perspective view showing a rear, bottom and left side thereof;
FIG. 9 is a perspective view showing a front, right and bottom side thereof; and,
FIG. 10 is a perspective view showing a rear, left and top side thereof.

The broken line showing of the connector is for the purpose of illustrating portions of the article and forms no part of the claimed design.

1 Claim, 5 Drawing Sheets



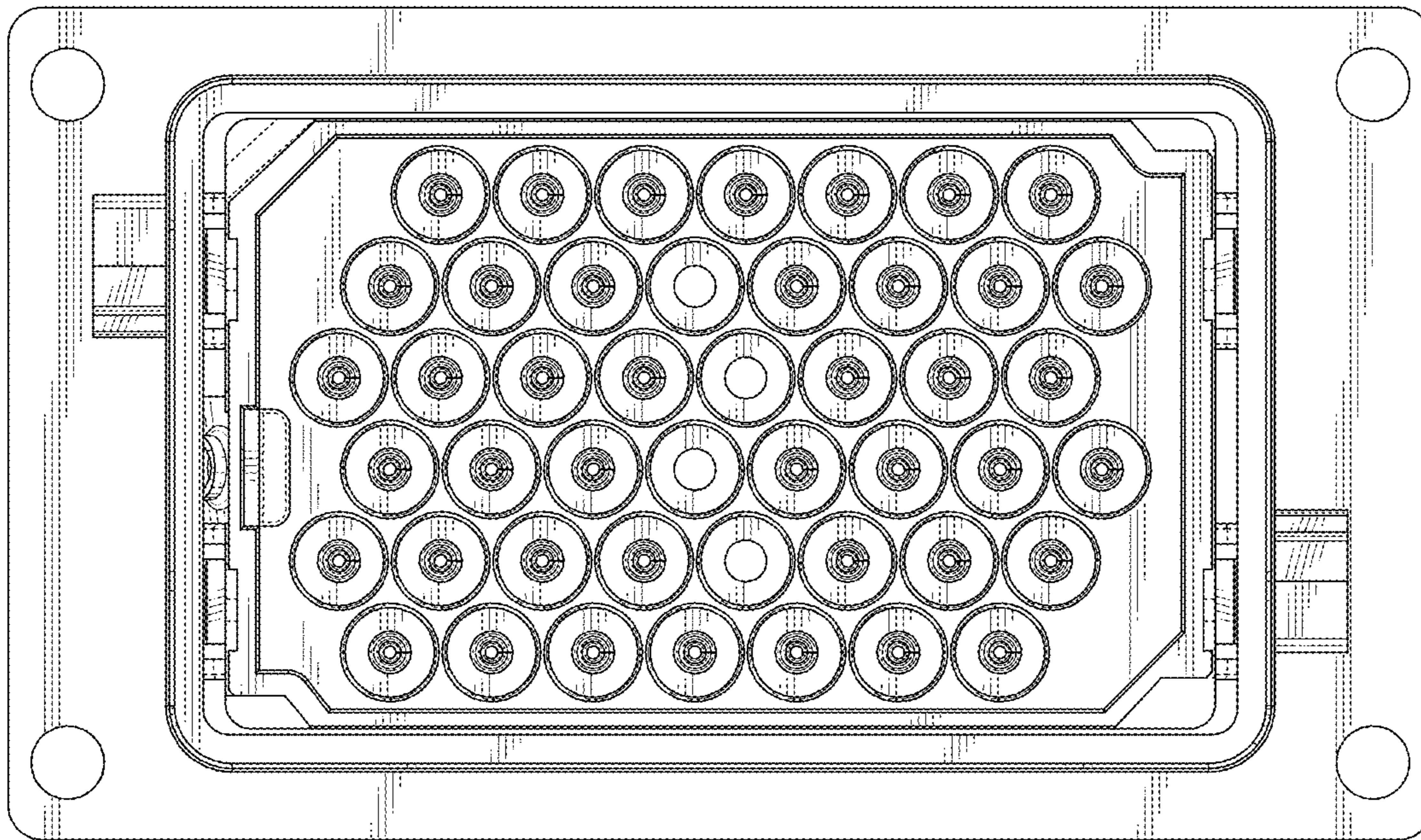


FIG. 1

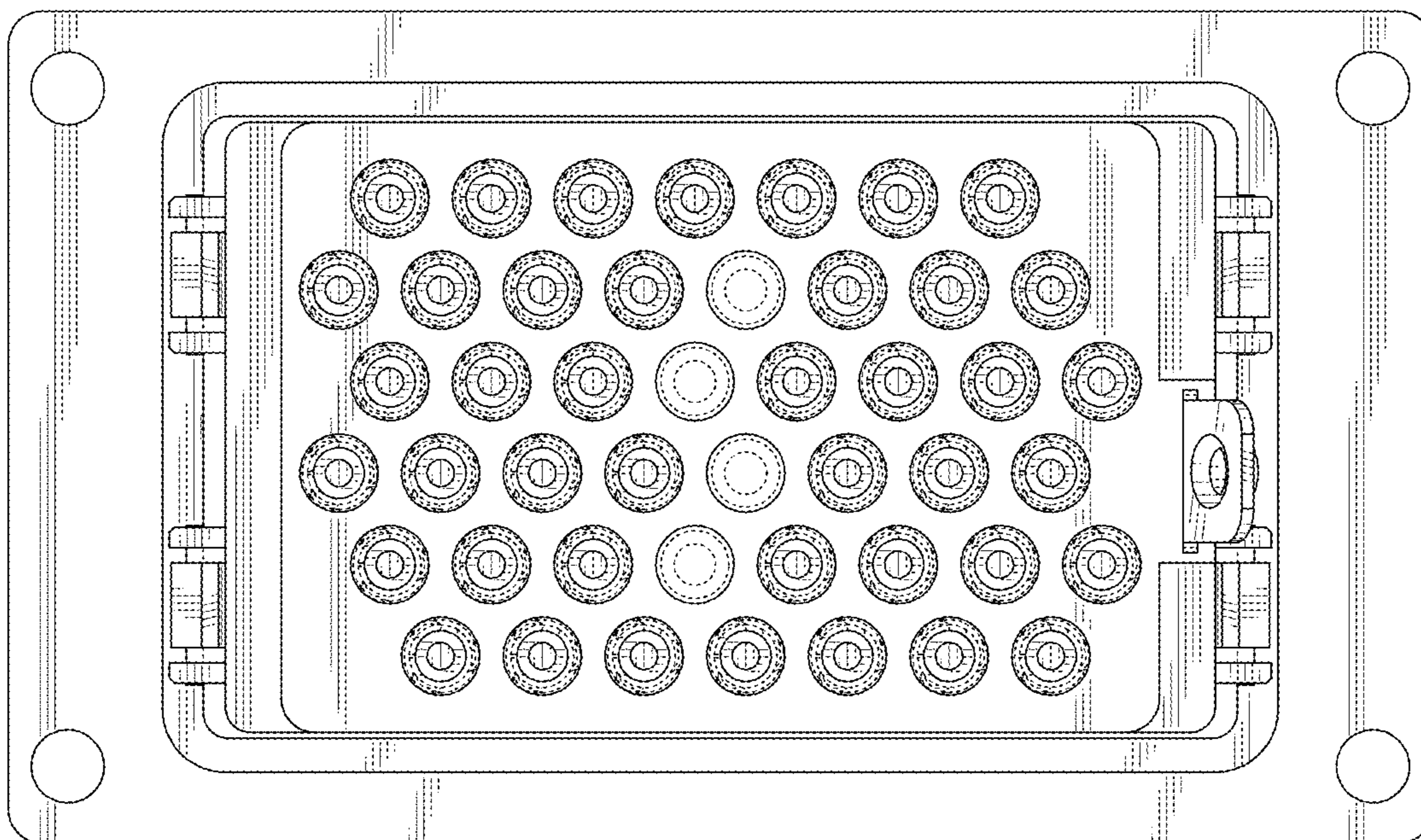


FIG. 2

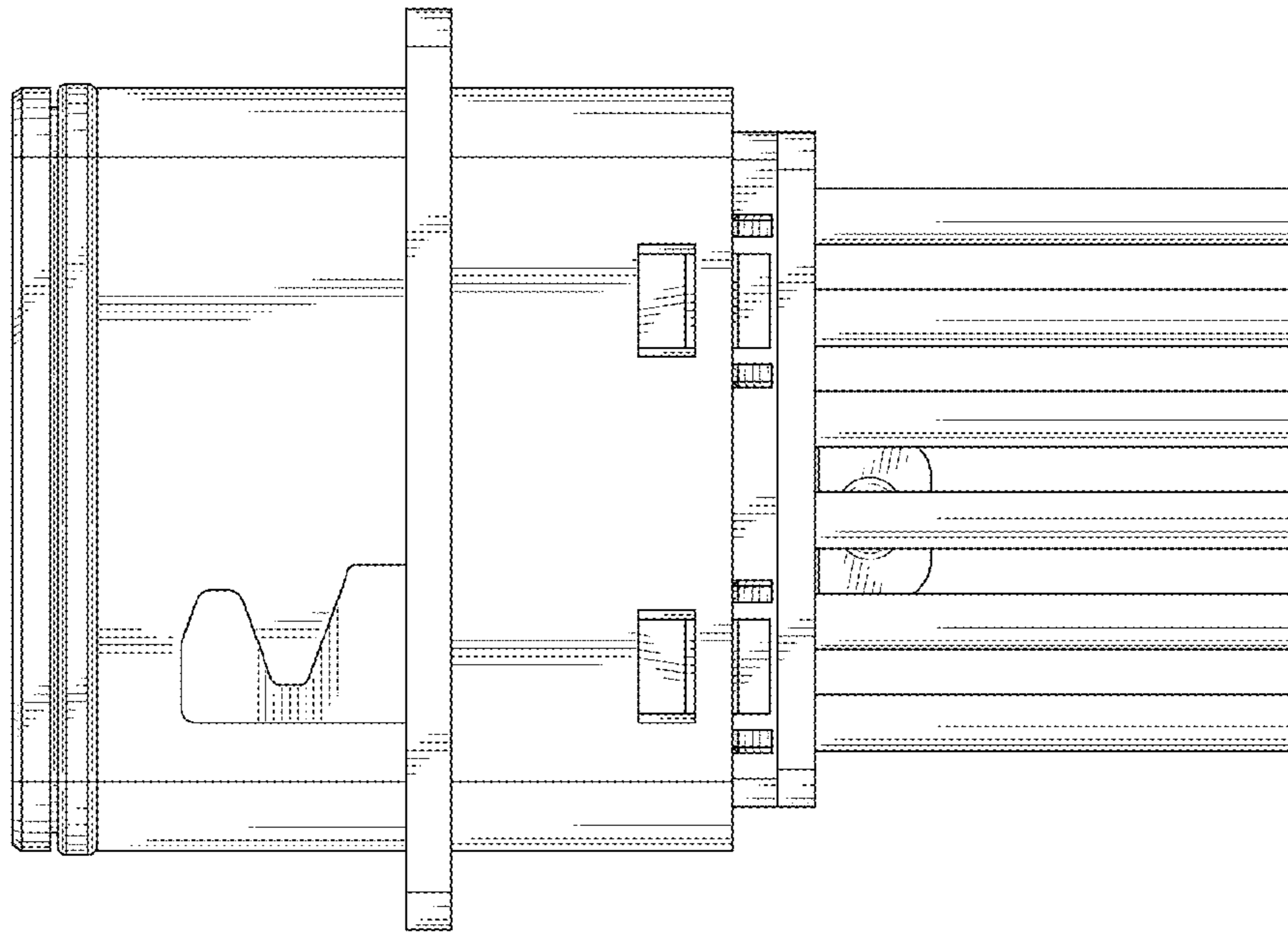


FIG. 3

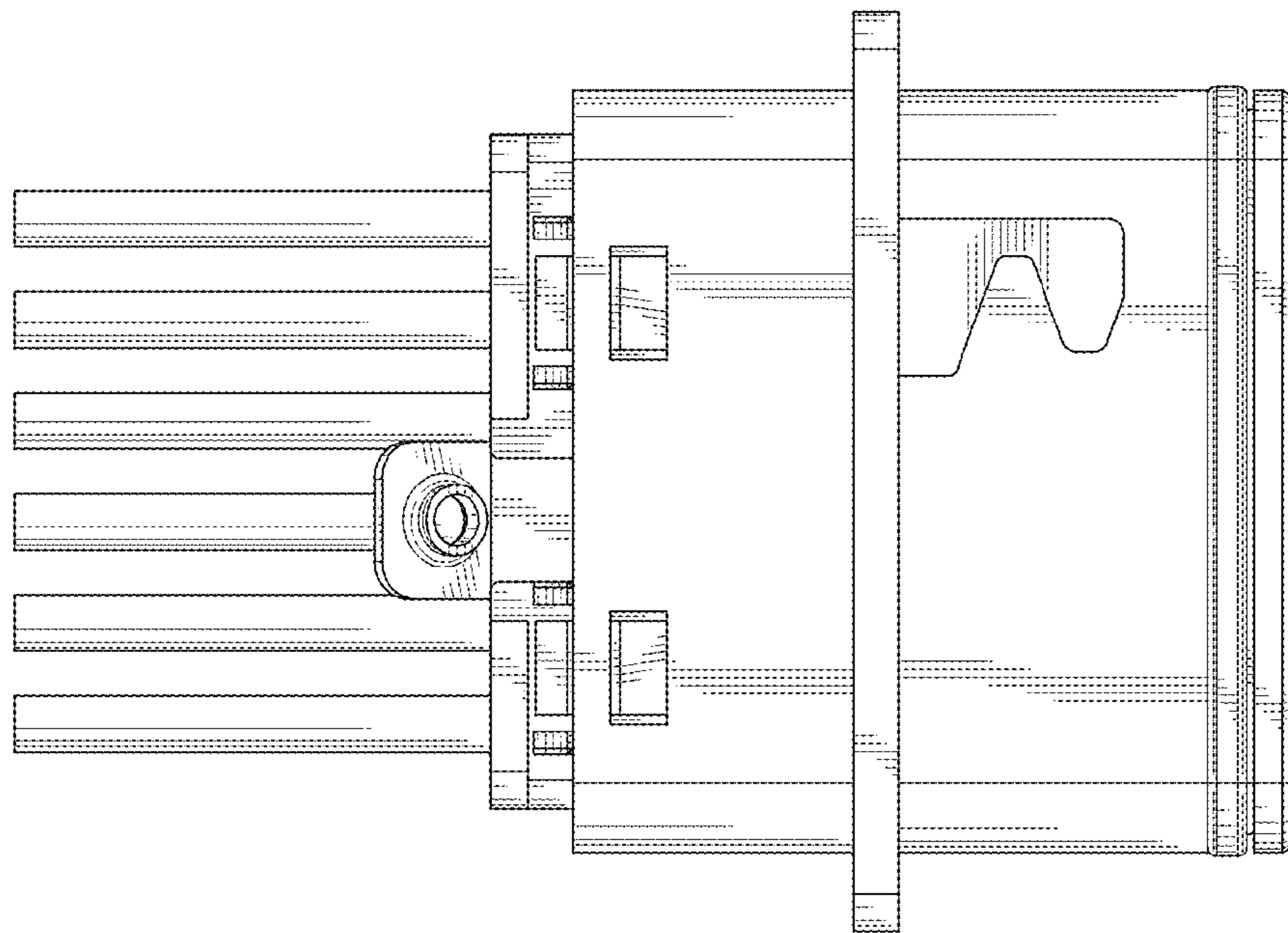


FIG. 4

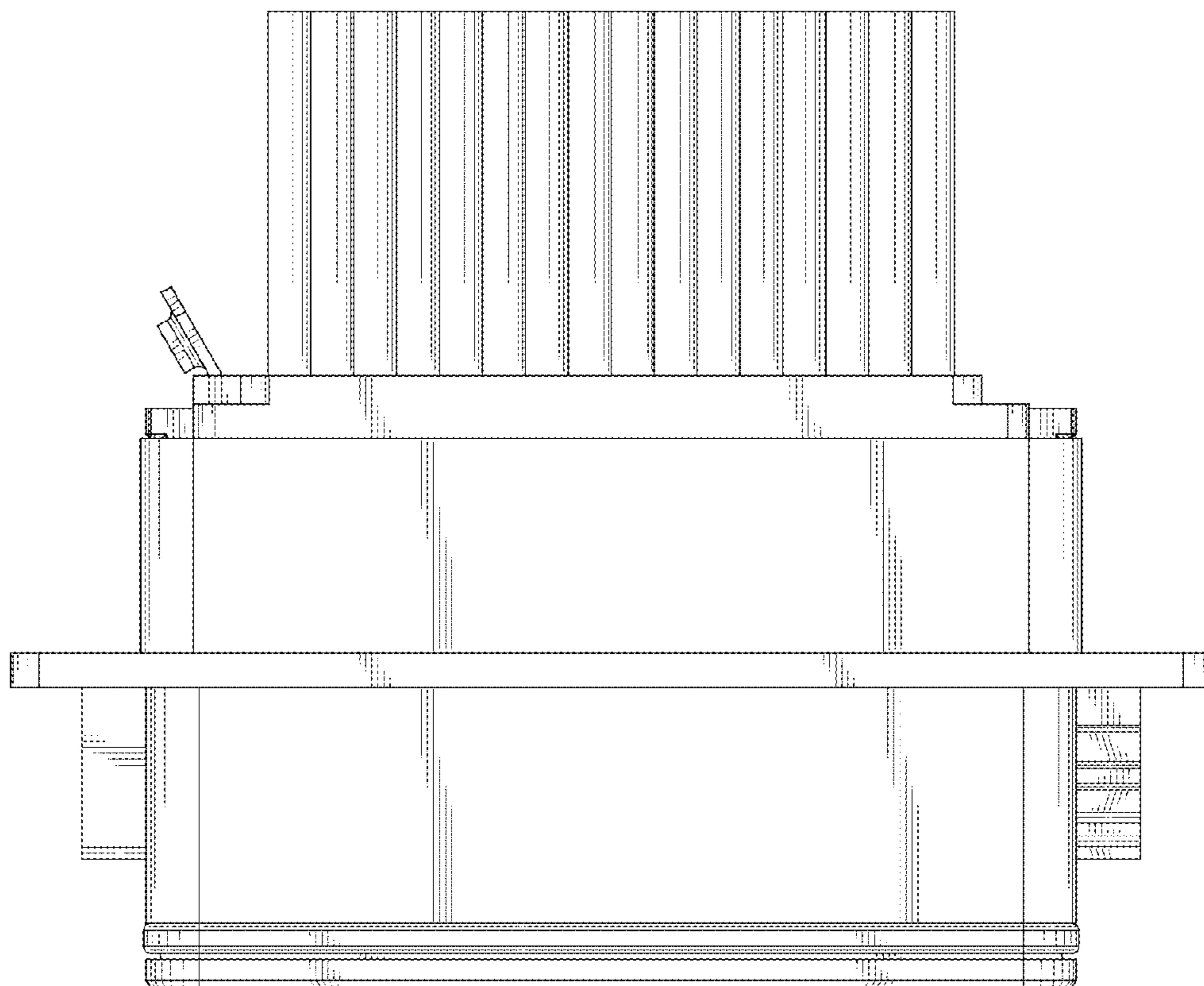


FIG. 5

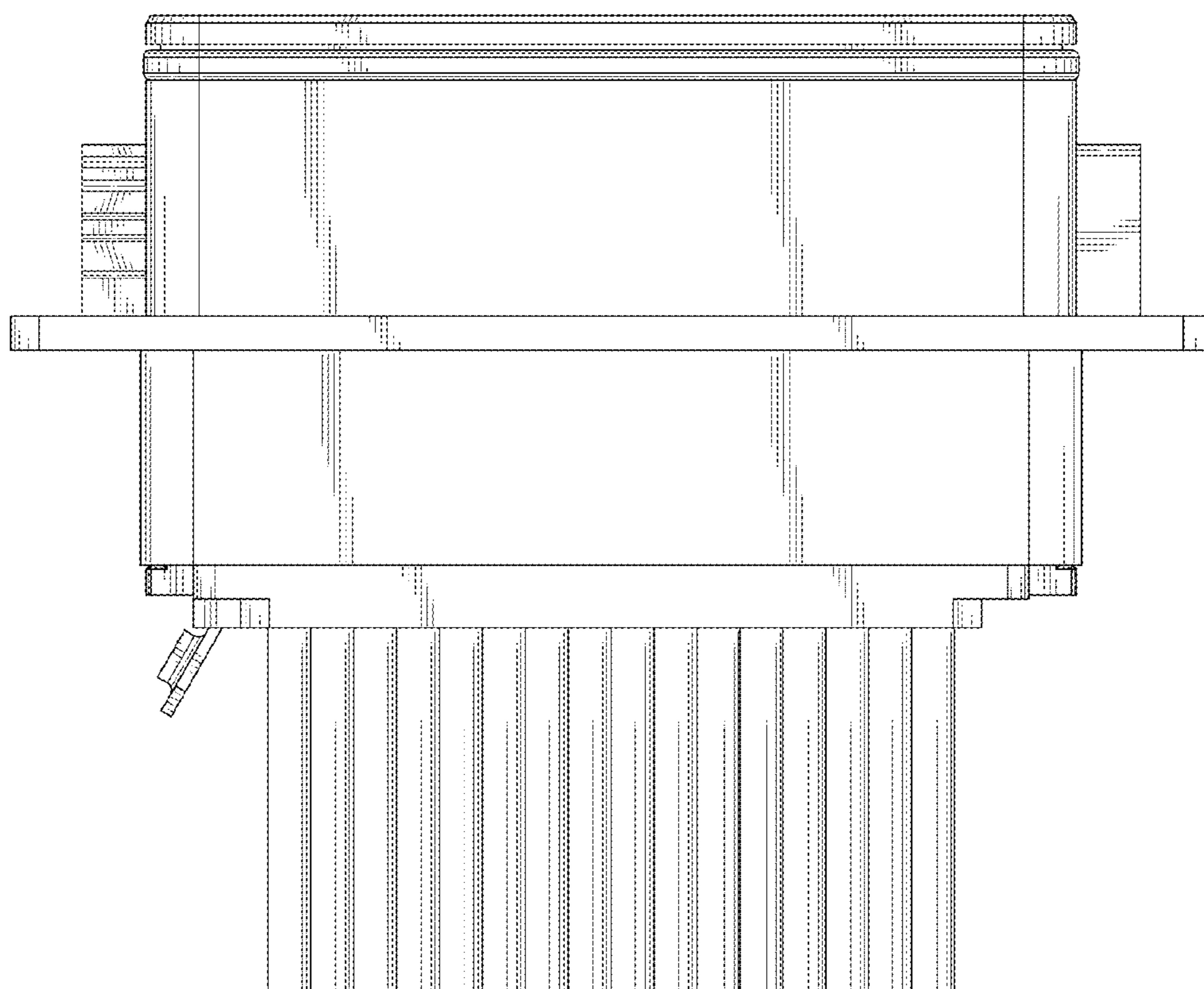


FIG. 6

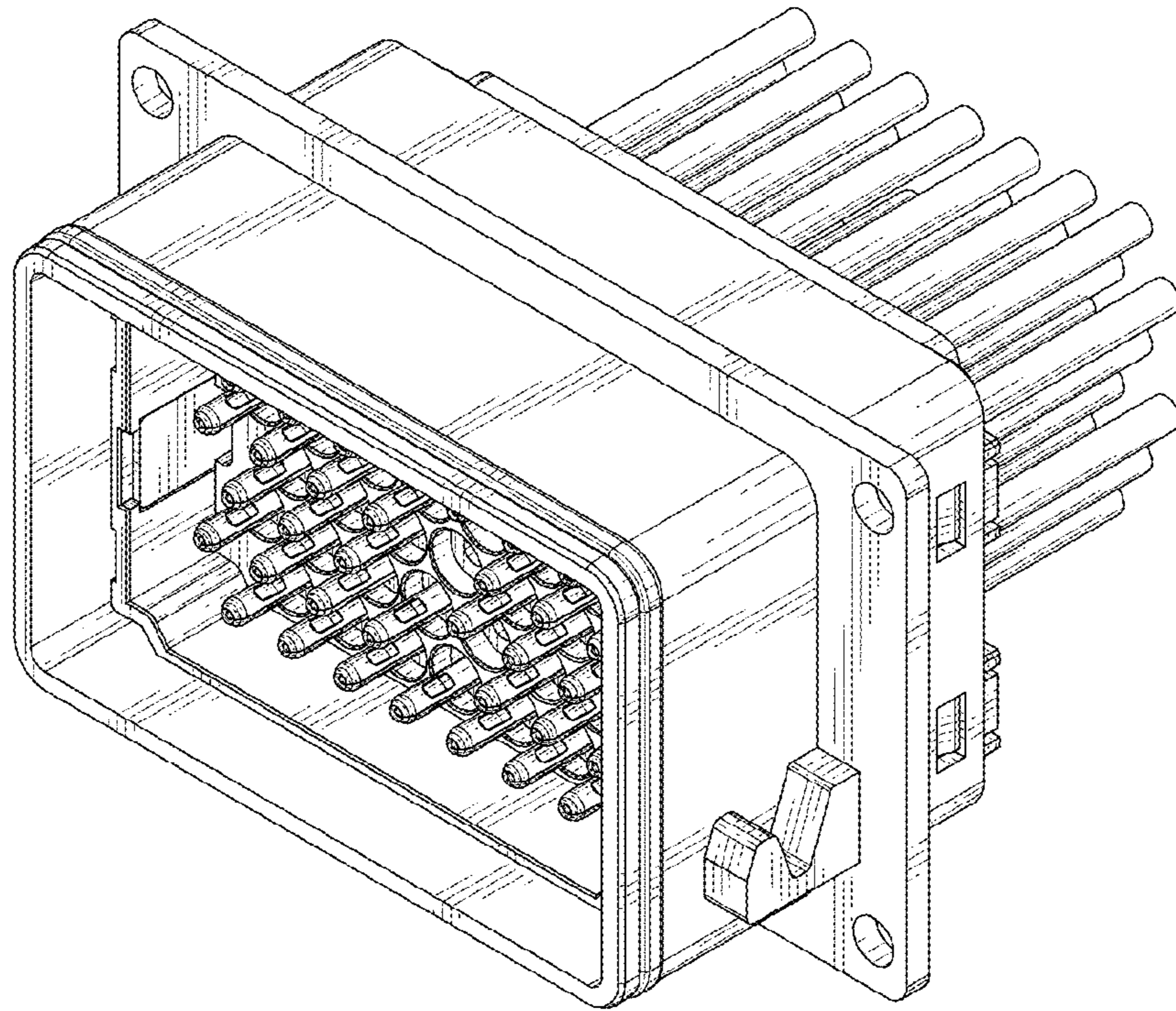


FIG. 7

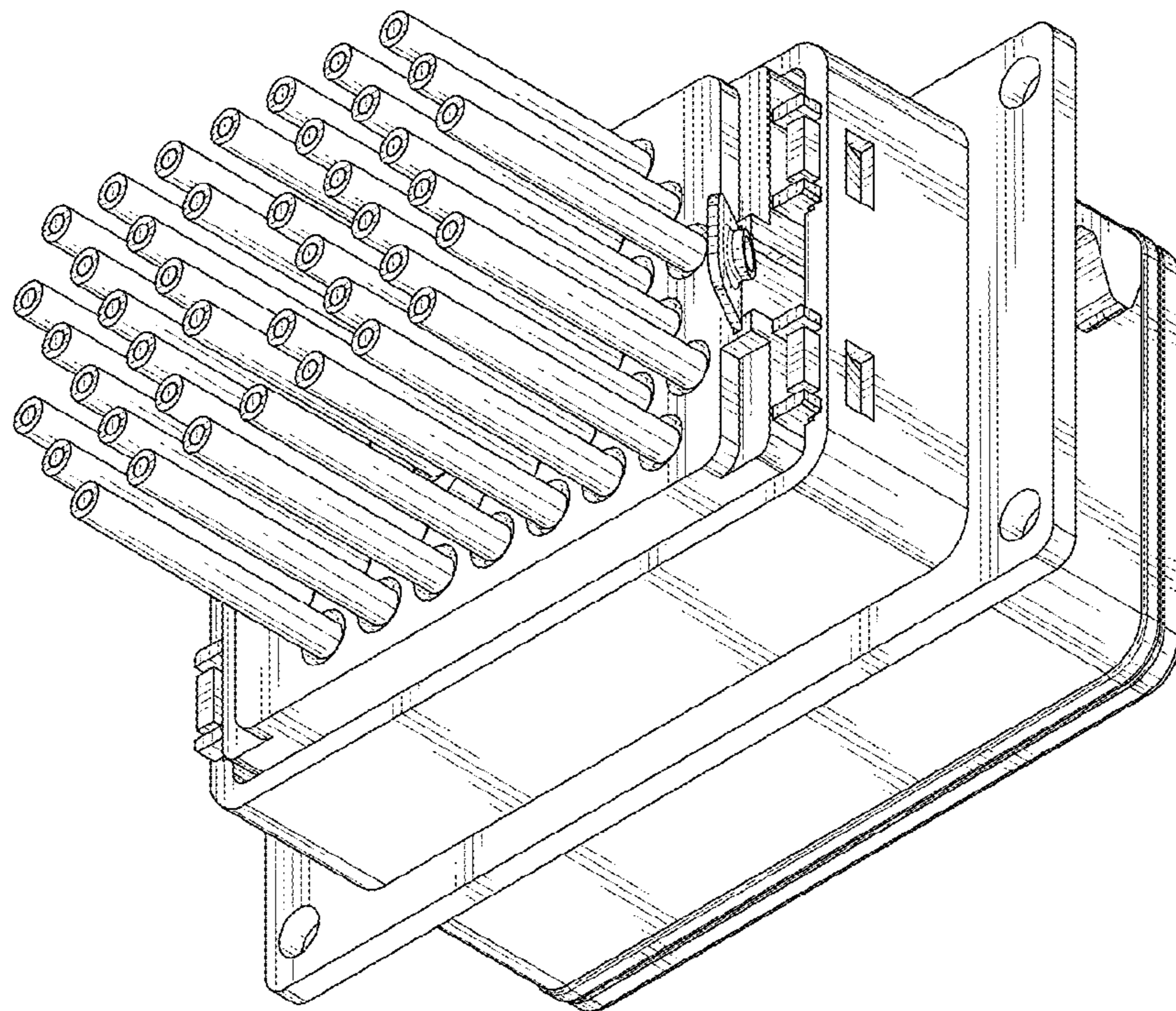


FIG. 8

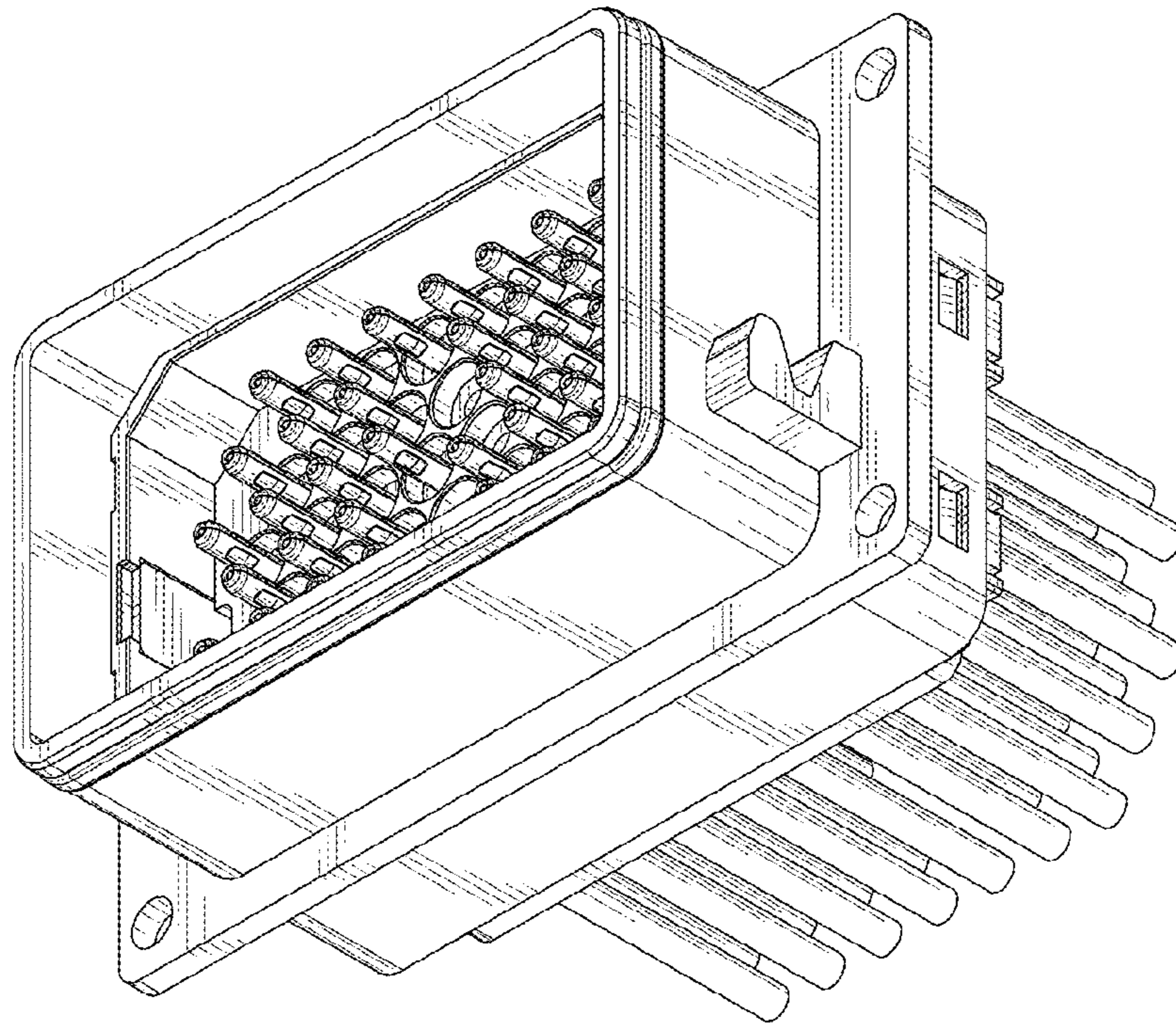


FIG. 9

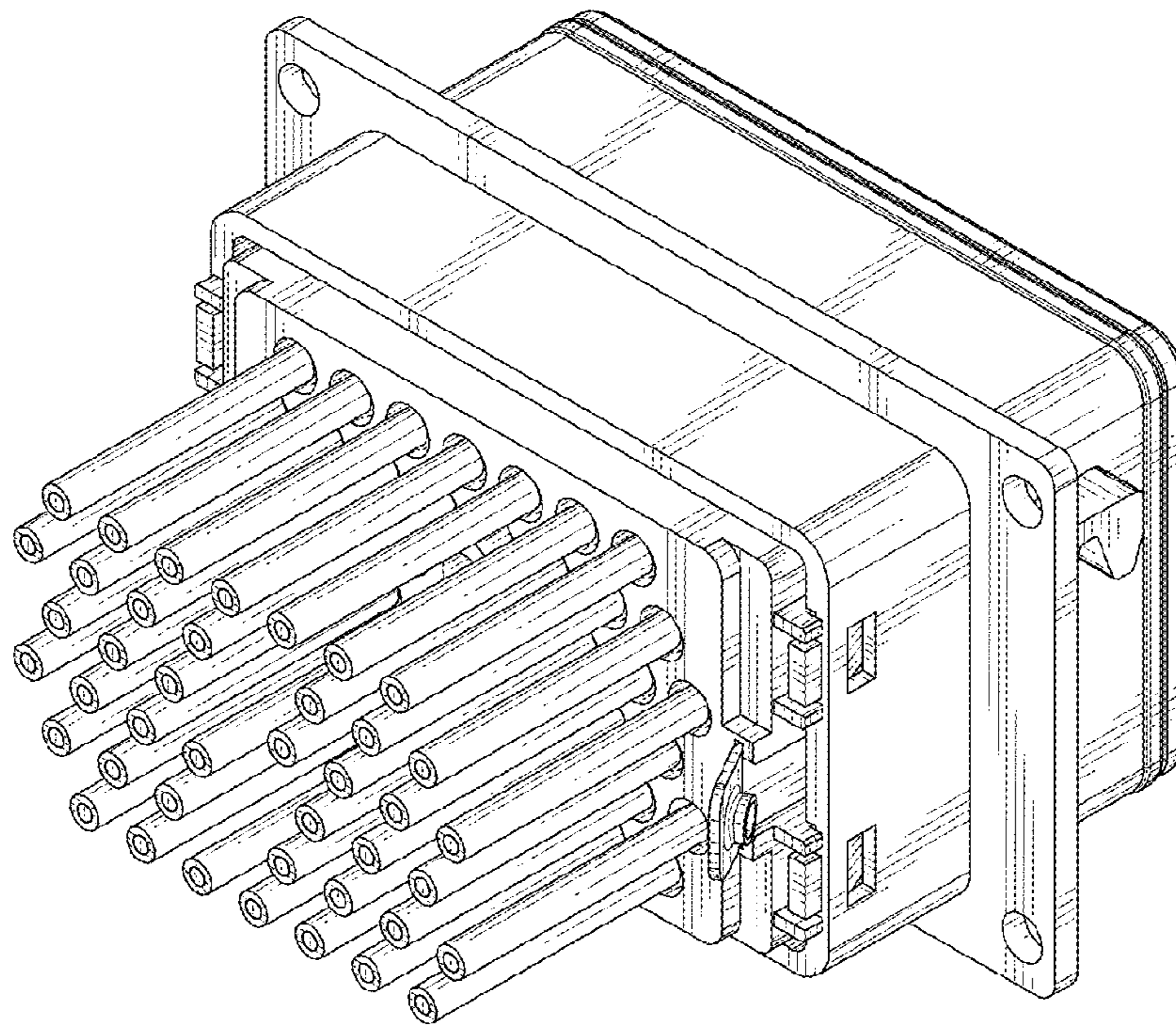


FIG. 10