



US00D963587S

(12) **United States Design Patent**  
**Kobayashi et al.**

(10) **Patent No.:** **US D963,587 S**  
(45) **Date of Patent:** **\*\* Sep. 13, 2022**

(54) **INDUSTRIAL AUTOMATION GATEWAY**

(71) Applicant: **OMRON Corporation**, Kyoto (JP)

(72) Inventors: **Ryosuke Kobayashi**, Kusatsu (JP);  
**Heita Nada**, Ritto (JP); **Naoki Shimada**, Kusatsu (JP)

(73) Assignee: **OMRON Corporation**, Kyoto (JP)

(\*\*) Term: **15 Years**

(21) Appl. No.: **29/727,121**

(22) Filed: **Mar. 9, 2020**

(30) **Foreign Application Priority Data**

Oct. 4, 2019 (JP) ..... 2019-022353

(51) **LOC (13) Cl.** ..... **13-03**

(52) **U.S. Cl.**  
USPC ..... **D13/147**

(58) **Field of Classification Search**

USPC ..... D13/101, 110, 118, 119, 120, 123, 133,  
D13/137.1, 138.1, 138.2, 146, 147, 151,  
D13/162.1, 184, 199; D14/356, 357, 358,  
D14/432, 433, 434

CPC ..... H01R 13/52; H01R 13/56; H01R 13/405;  
H01R 13/5202; H01R 13/5227; H01R  
13/6272; H02J 7/00; H02J 7/0045; H02J  
7/0052; Y02T 90/14; Y02T 10/7072;  
B60L 11/182; B60L 11/1818; G02B 6/38;  
G02B 6/4416

See application file for complete search history.

(56) **References Cited**

**U.S. PATENT DOCUMENTS**

D425,483 S \* 5/2000 Bechtold ..... D13/147  
6,123,585 A \* 9/2000 Hussong ..... H05K 7/1472  
439/652

D443,248 S \* 6/2001 Sakasegawa ..... D13/123  
6,527,599 B2 \* 3/2003 Bechtold ..... H01R 27/02  
439/736  
D729,171 S \* 5/2015 Dietel ..... D13/147  
D736,713 S \* 8/2015 Sekine ..... D13/147  
D825,472 S \* 8/2018 Yamanaka ..... D13/155  
D837,152 S \* 1/2019 Wegerer ..... D13/110  
2018/0054901 A1 \* 2/2018 Van Roon ..... H05K 5/006

**FOREIGN PATENT DOCUMENTS**

CN 302321888 S 2/2013

\* cited by examiner

*Primary Examiner* — Derrick E Holland

(74) *Attorney, Agent, or Firm* — Capitol City TechLaw

(57) **CLAIM**

The ornamental design for an industrial automation gateway, as shown and described.

**DESCRIPTION**

FIG. 1 is a front, top, and right side perspective view of an industrial automation gateway showing our new design; FIG. 2 is a front, bottom, and left side perspective view thereof;

FIG. 3 is a front view thereof;

FIG. 4 is a rear view thereof;

FIG. 5 is a left side view thereof;

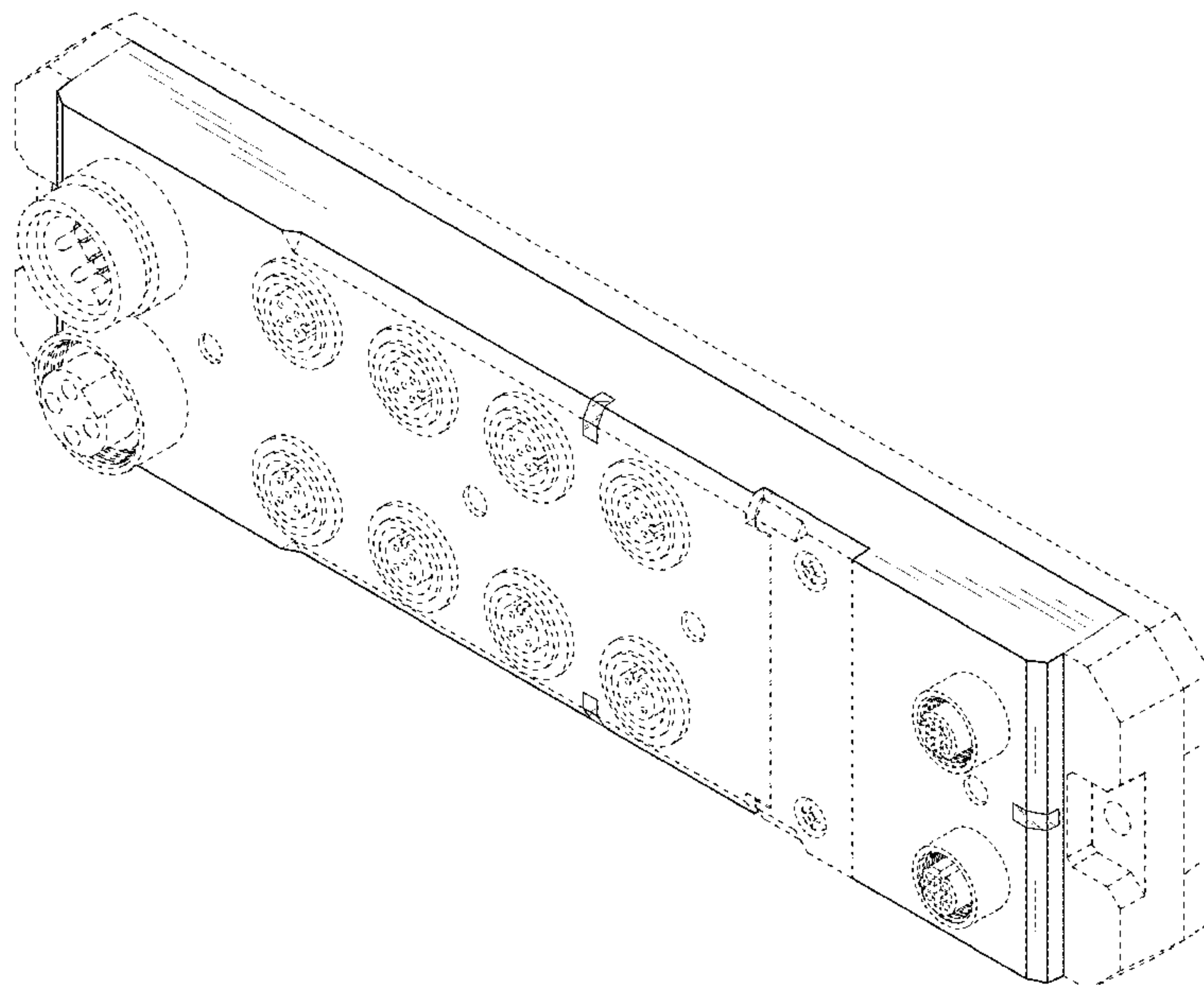
FIG. 6 is a tight side view thereof;

FIG. 7 is a top view thereof; and,

FIG. 8 is a bottom view thereof.

The dashed broken lines in the figures show portions of the industrial automation gateway that form no part of the claimed design. The dot-dashed broken lines shown in the figures illustrate the bounds of the claim and form no part thereof.

**1 Claim, 6 Drawing Sheets**



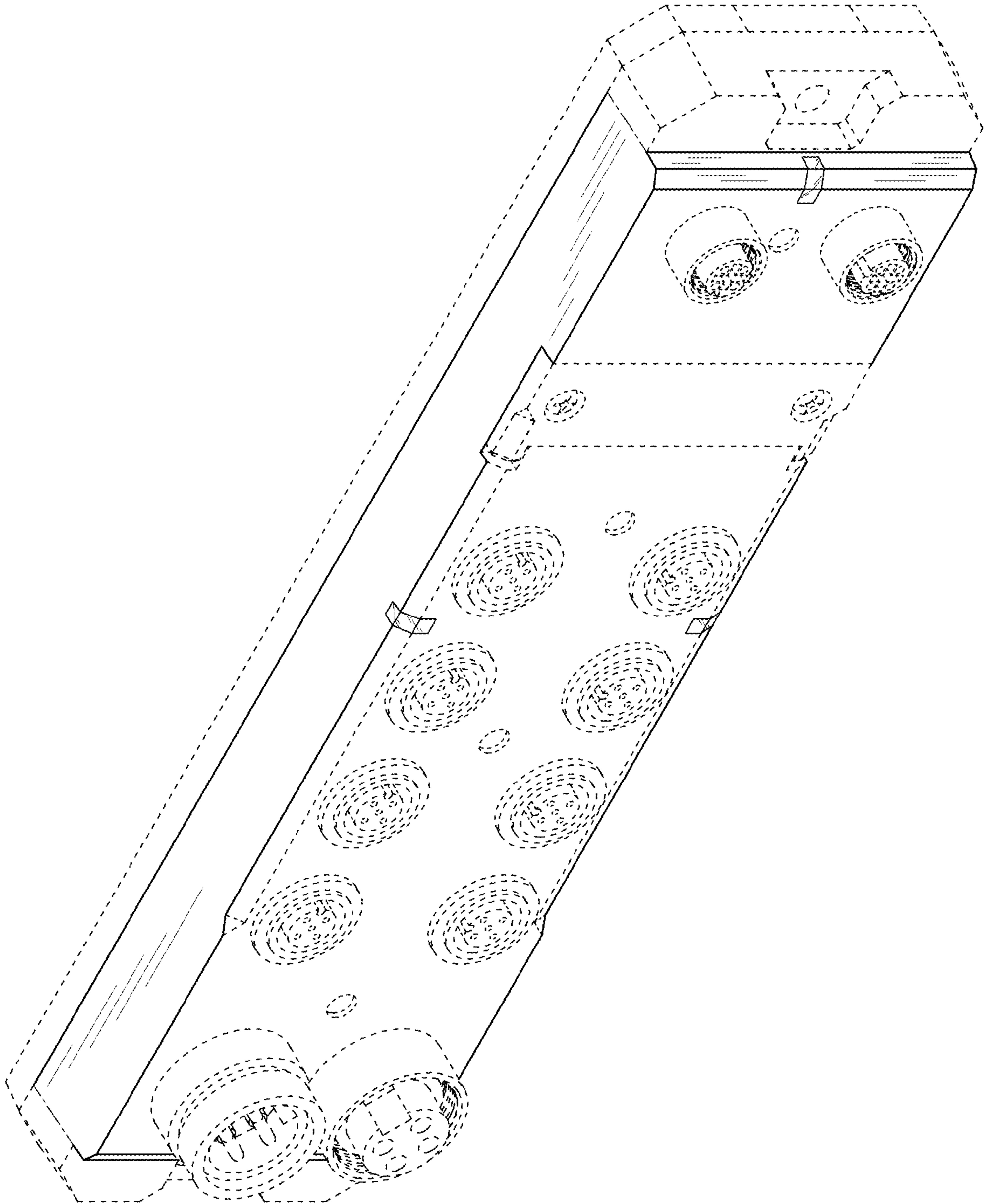


Fig. 1

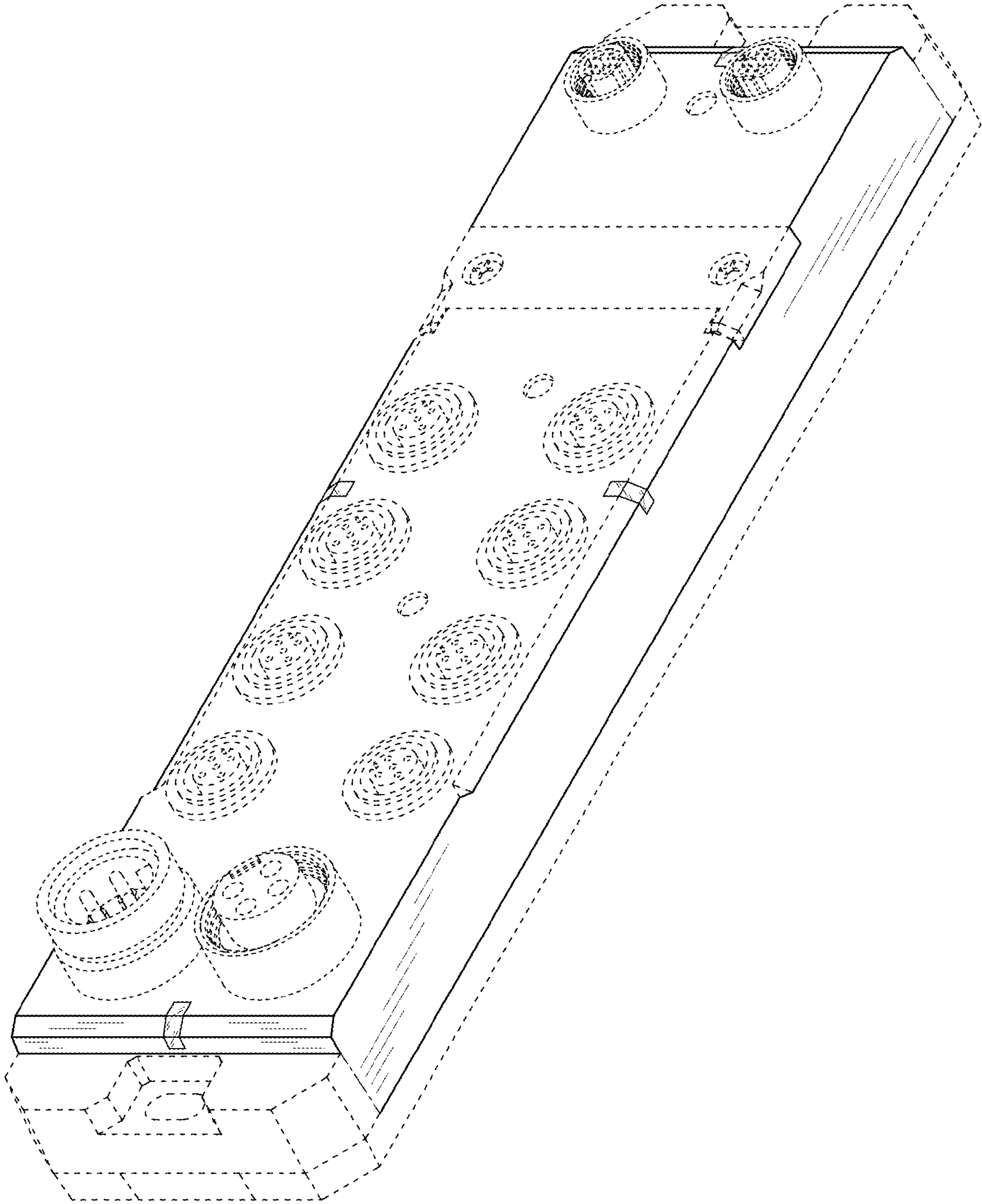


Fig. 2



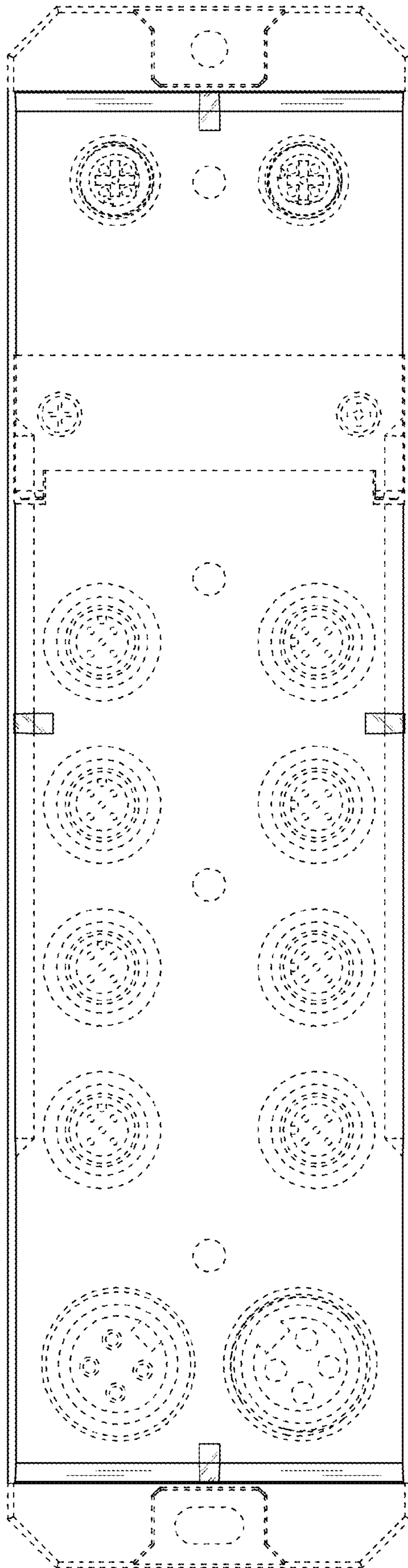


Fig. 3

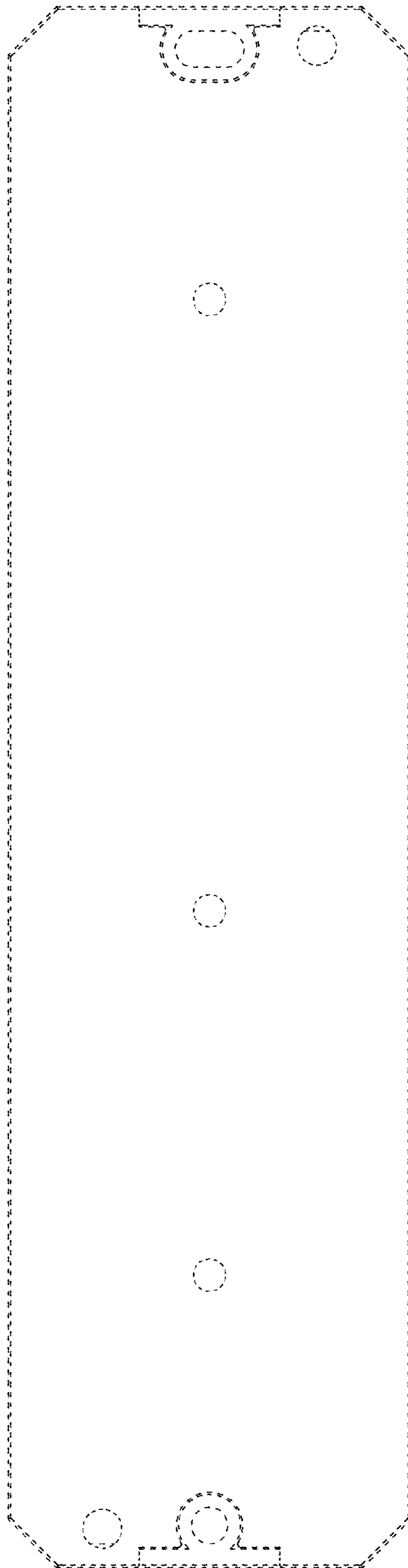


Fig. 4

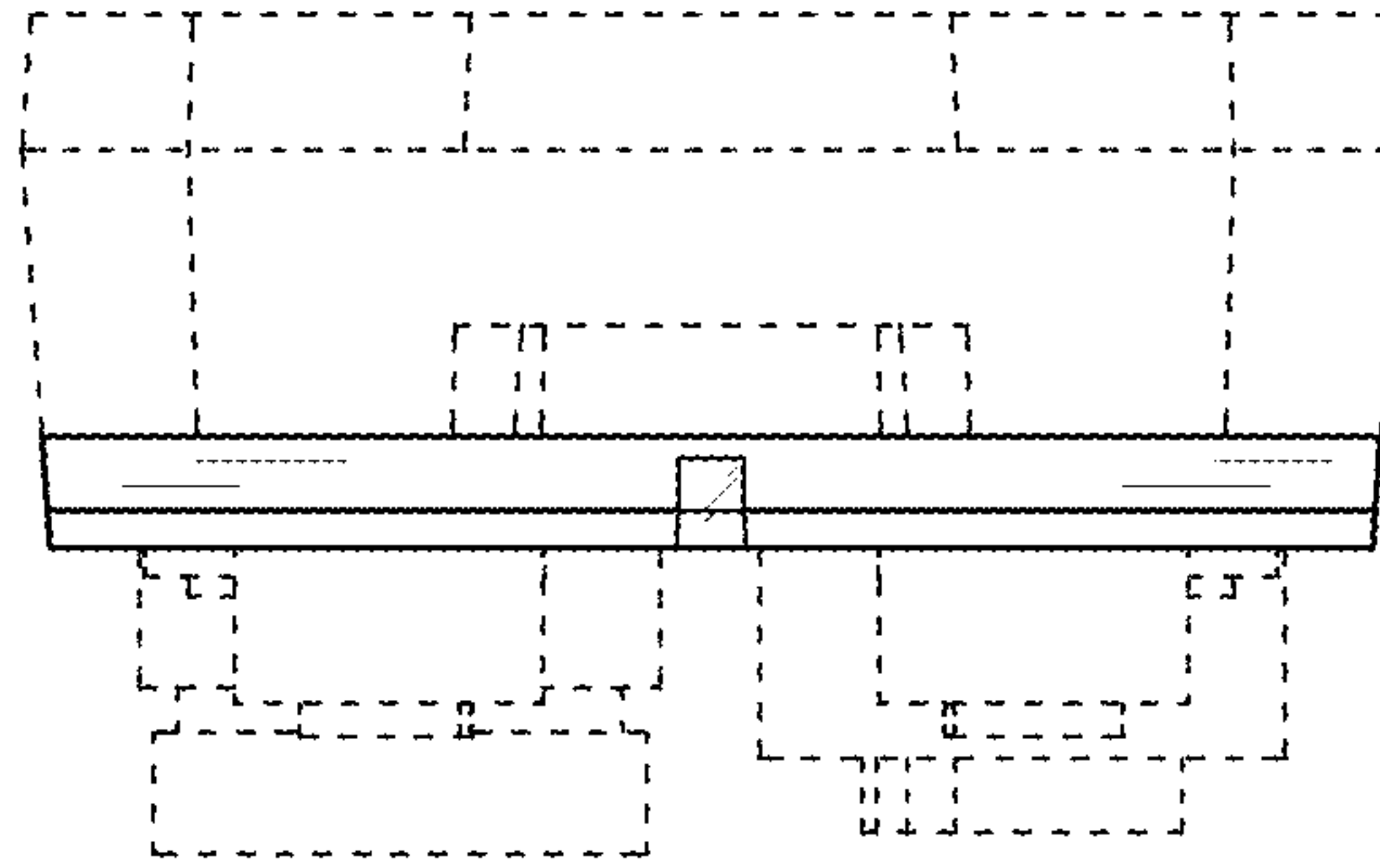


Fig. 6

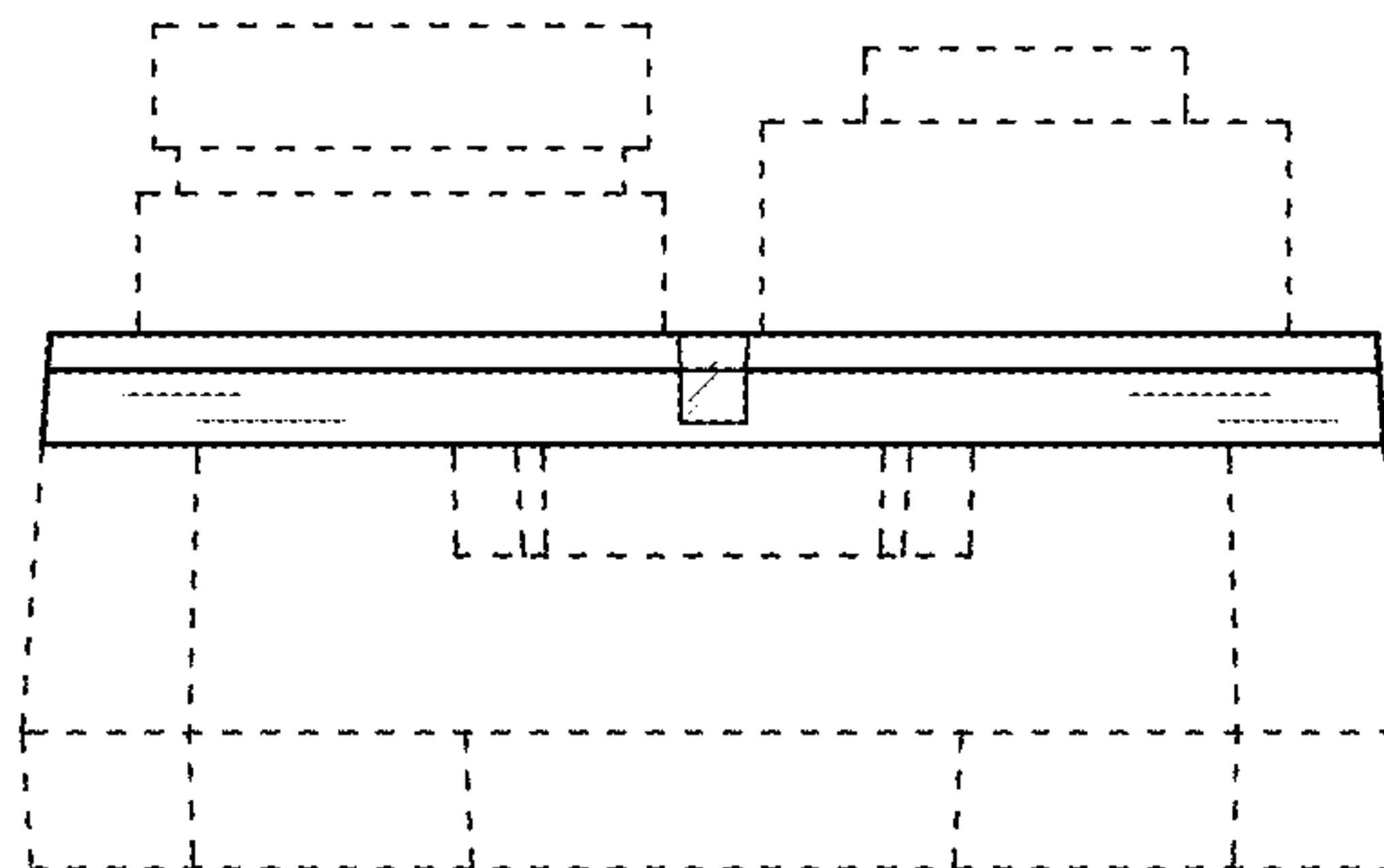


Fig. 5

Fig. 7

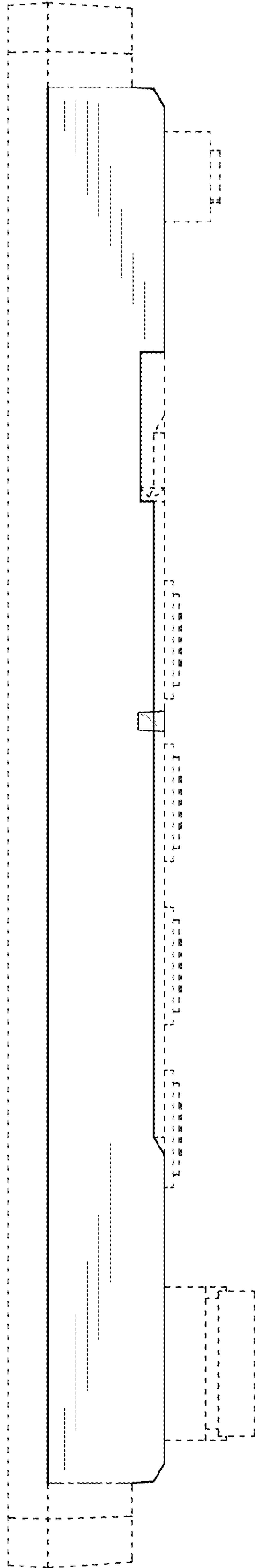


Fig. 8

