



US00D963585S

(12) **United States Design Patent**
Xiong

(10) **Patent No.:** **US D963,585 S**
(45) **Date of Patent:** **** Sep. 13, 2022**

(54) **POWER STRIP**

(71) Applicant: **GUANGE (SHENZHEN) ELECTRIC CO., LTD.**, Shenzhen (CN)

(72) Inventor: **Zeji Xiong**, Xinyi (CN)

(73) Assignee: **GUANGE (SHENZHEN) ELECTRIC CO., LTD.**, Shenzhen (CN)

(**) Term: **15 Years**

(21) Appl. No.: **29/777,894**

(22) Filed: **Apr. 8, 2021**

(51) **LOC (13) Cl.** **13-03**

(52) **U.S. Cl.**
USPC **D13/139.8**

(58) **Field of Classification Search**

USPC ... D13/123, 133, 137.1, 137.2, 137.3, 137.4,
D13/138.1, 138.2, 139.1, 139.2, 139.3,
D13/139.4, 139.5, 139.6, 139.7, 139.8,
D13/151, 152, 153, 154, 155, 156, 157,
D13/158, 159, 184, 199, 103, 107, 108
CPC H01R 13/00; H01R 13/03; H01R 13/04;
H01R 13/10; H01R 13/35; H01R 13/44;
H01R 13/453; H01R 13/4534; H01R
13/502; H01R 13/514; H01R 13/631;
H01R 13/639; H01R 13/6633; H01R
13/6666; H01R 13/6675; H01R 13/7135;
H01R 31/02; H01R 31/06; H01R 31/065;
H01R 13/11; H01R 13/518; H01R
13/642; H01R 13/652; H01R 25/003;
H01R 25/006; H01R 43/26; H01H 71/62;
H01H 73/14

See application file for complete search history.

(56) **References Cited**

U.S. PATENT DOCUMENTS

D400,504 S * 11/1998 Stekelenburg D13/139.6
D409,978 S * 5/1999 Stekelenburg D13/139.6
6,113,434 A * 9/2000 Pate H01R 25/003
439/954

(Continued)

FOREIGN PATENT DOCUMENTS

CN 303959099 * 12/2016
CN 304694651 * 6/2018

(Continued)

OTHER PUBLICATIONS

“Power Strip with 8 Ft, Yintar Surge Protector with 10 Outlets and 4 USB Ports, 8 Feet Flat Plug Extension Cord (1875W/15A) for Home, Office, Dorm Essentials, 2100 Joules, ETL Listed,—Black”, first available Jul. 14, 2020. Amazon.com [https://www.amazon.com/dp/B08CXX7GK1] (Year: 2020).*

(Continued)

Primary Examiner — Rosemary K Tarcza
Assistant Examiner — Seth David Kumpf

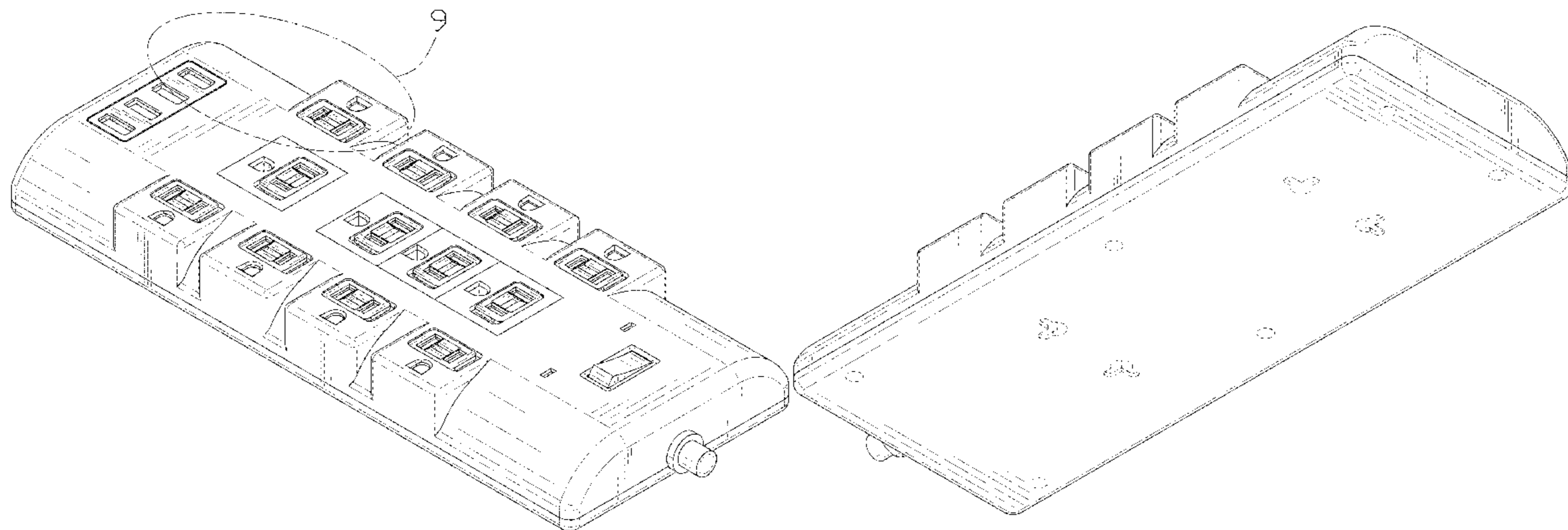
(57) **CLAIM**

The ornamental design for a power strip, as shown and described.

DESCRIPTION

FIG. 1 is a perspective view of a power strip showing my new design;
FIG. 2 is another perspective view thereof;
FIG. 3 is a right side elevational view thereof;
FIG. 4 is a left side elevational view thereof;
FIG. 5 is a front elevational view thereof;
FIG. 6 is a rear elevational view thereof;
FIG. 7 is a top plan view thereof;
FIG. 8 is a bottom plan view thereof; and,
FIG. 9 is an enlarged view of portion 9 shown in FIG. 1.
The dash-dash broken lines in the drawings depict portions of the power strip that form no part of the claimed design. The dot-dash broken lines represent boundaries of the enlarged portions and form no part of the claimed design.

1 Claim, 9 Drawing Sheets



(56)

References Cited

U.S. PATENT DOCUMENTS

D532,751 S * 11/2006 Chesebro D13/139.6
 D576,553 S * 9/2008 Lee D13/139.6
 D644,180 S * 8/2011 Lee D13/139.8
 D663,691 S * 7/2012 Magee, Jr. D13/139.8
 D673,503 S * 1/2013 Lee D13/139.8
 D705,732 S * 5/2014 Lee D13/137.2
 D770,976 S * 11/2016 Xu D13/110
 D775,081 S * 12/2016 Xu D13/139.6
 D796,445 S * 9/2017 Xu D13/139.6
 D797,675 S * 9/2017 Xu D13/139.6
 D816,039 S * 4/2018 Lu D13/139.8
 D871,344 S * 12/2019 Lyu D13/139.8
 D878,299 S * 3/2020 Lyu D13/139.8
 D878,300 S * 3/2020 Lyu D13/139.8
 D881,809 S * 4/2020 Lyu D13/137.2
 D881,821 S * 4/2020 Lyu D13/139.8
 D886,742 S * 6/2020 Lyu D13/137.2
 D899,375 S * 10/2020 Bao D13/137.2
 D900,033 S * 10/2020 Chen D13/137.2
 D900,748 S * 11/2020 Chen D13/137.2
 D900,749 S * 11/2020 Bao D13/137.2
 D903,600 S * 12/2020 Tseng D13/139.7
 D908,631 S * 1/2021 Yu D13/137.2
 D913,243 S * 3/2021 Chan D13/137.2
 D920,254 S * 5/2021 Tao D13/137.2
 D922,327 S * 6/2021 Tao D13/137.2
 D922,953 S * 6/2021 Mei D13/139.8
 D922,954 S * 6/2021 Mei D13/139.8
 D922,955 S * 6/2021 Chen D13/139.8
 D924,809 S * 7/2021 Chen D13/137.2
 D930,946 S * 9/2021 Chen D1/100
 D934,810 S * 11/2021 Yan D13/139.8
 D935,410 S * 11/2021 Tao D13/137.2
 D941,774 S * 1/2022 Tao D13/139.6
 D944,741 S * 3/2022 Chen D13/137.2
 D947,781 S * 4/2022 Wei D13/137.2
 D948,451 S * 4/2022 Wang D13/139.8
 D948,452 S * 4/2022 Wu D13/139.8
 D954,650 S * 6/2022 Amoss D13/137.2
 D957,342 S * 7/2022 Zhou D13/137.2
 D958,082 S * 7/2022 Lin D13/139.7

FOREIGN PATENT DOCUMENTS

CN 305560098 * 1/2020
 CN 305595095 * 2/2020
 CN 305645034 * 3/2020
 CN 305790430 * 5/2020
 CN 305801235 * 5/2020

GB 2043950 * 3/1995
 GB 2043951 * 3/1995
 GB 2043952 * 3/1995
 GB 3014375 * 10/2003
 GB 2009193 * 8/2010
 GB 6097888 * 8/2020
 GB 6097889 * 8/2020
 GB 6115168 * 1/2021
 GB 6127070 * 3/2021

OTHER PUBLICATIONS

“Power Strip with 6 Feet, Yintar Surge Protector with 6 AC Outlets and 3 USB Ports, 6 Ft Extension Cord for for Home, Office, Dorm Essentials, 1680 Joules, ETL Listed, (Black)”, first available Nov. 5, 2020. Amazon.com [https://www.amazon.com/dp/B08MTBCXWX] (Year: 2020).*

“Power Strip, Witeem Surge Protector with 12-Outlet (1875W/15A, 4360Joules) and 4 USB Charging Ports (5V/6A, 30W), 6Ft Extension Cord, Wall Mountable Overload Protection Outlet for Home & Office, Black”, first available Aug. 7, 2019. Amazon.com [https://www.amazon.com/dp/B07W5MYBFJ] (Year: 2019).*

“Anker Power Strip Surge Protector, 12 Outlets & 3 USB Charging Ports with Flat Plug, 6ft Extension Cord, PowerIQ for iPhone Xs/XS Max/XR/X, Galaxy, for Home, Office, and More (4000 Joules) (Black)”, first available Nov. 25, 2020. Amazon.com [https://www.amazon.com/dp/B08P4NKJN7] (Year: 2020).*

“Power Strip Long Extension Cord—10Ft Braided Extension Cord with Flat Plug, 4 Outlets and 3 USB Charging Ports, Overload Protection and Wall Mount for Home, Office”, first available Oct. 19, 2021. Amazon.com [https://www.amazon.com/dp/B09JSLRMJM] (Year: 2021).*

“Monoprice 12 Outlet Rotating Power Strip Surge Protector Block 10ft Cord, 4320 Joules”, first accessed Jul. 21, 2022. MonoPrice.com [https://www.monoprice.com/product?p_id=15874] (Year: 2022).*

“Power Strip with 8 Feet, Surge Protector with 18 Outlets and 4 USB Ports, Black”, first available Jul. 16, 2021. Amazon.com [https://www.amazon.com/dp/B099NB3TTY] (Year: 2021).*

“Power Strip with USB, ASSC Surge Protector Power Strip with 12 Outlets & 4 USB Ports, 5Ft Extension Cord, Push-Open Safety Covers, 4200 Joules, Power Charging Station for Home Office Desk, Black”, first available May 25, 2021. Amazon.com [https://www.amazon.com/dp/B095RSXZFM] (Year: 2021).*

“Power Strip, SuperDanny Surge Protector with 22 AC Outlets and 6 USB Charging Ports, 1875W/15A, 2100 Joules, 6.5Ft Flat Plug Heavy Duty Extension Cord for Home, Office, Dorm, Gaming Room, Black”, first available Mar. 16, 2021. Amazon.com [https://www.amazon.com/dp/B08Z2ZKVXX] (Year: 2021).*

* cited by examiner

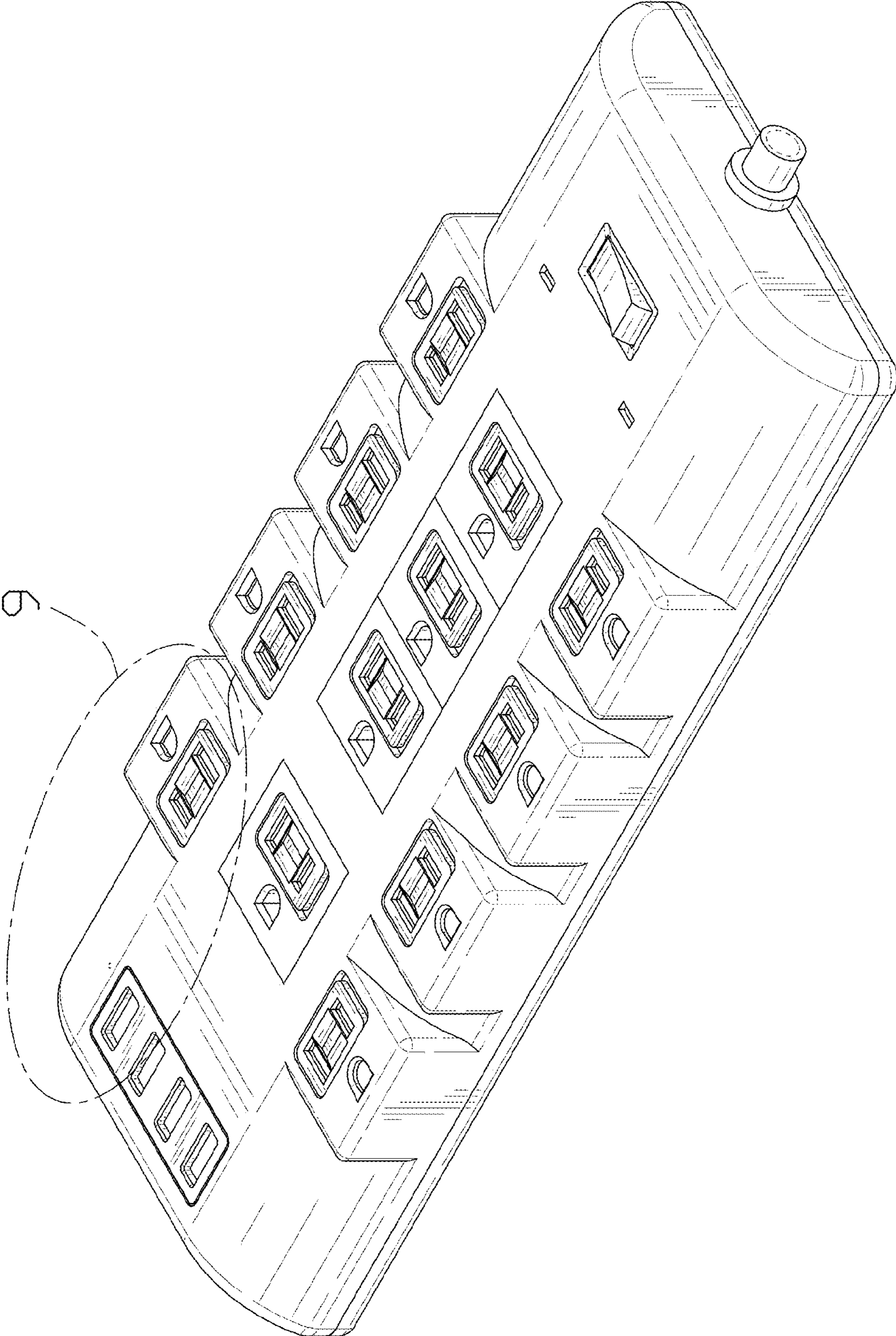


FIG. 1

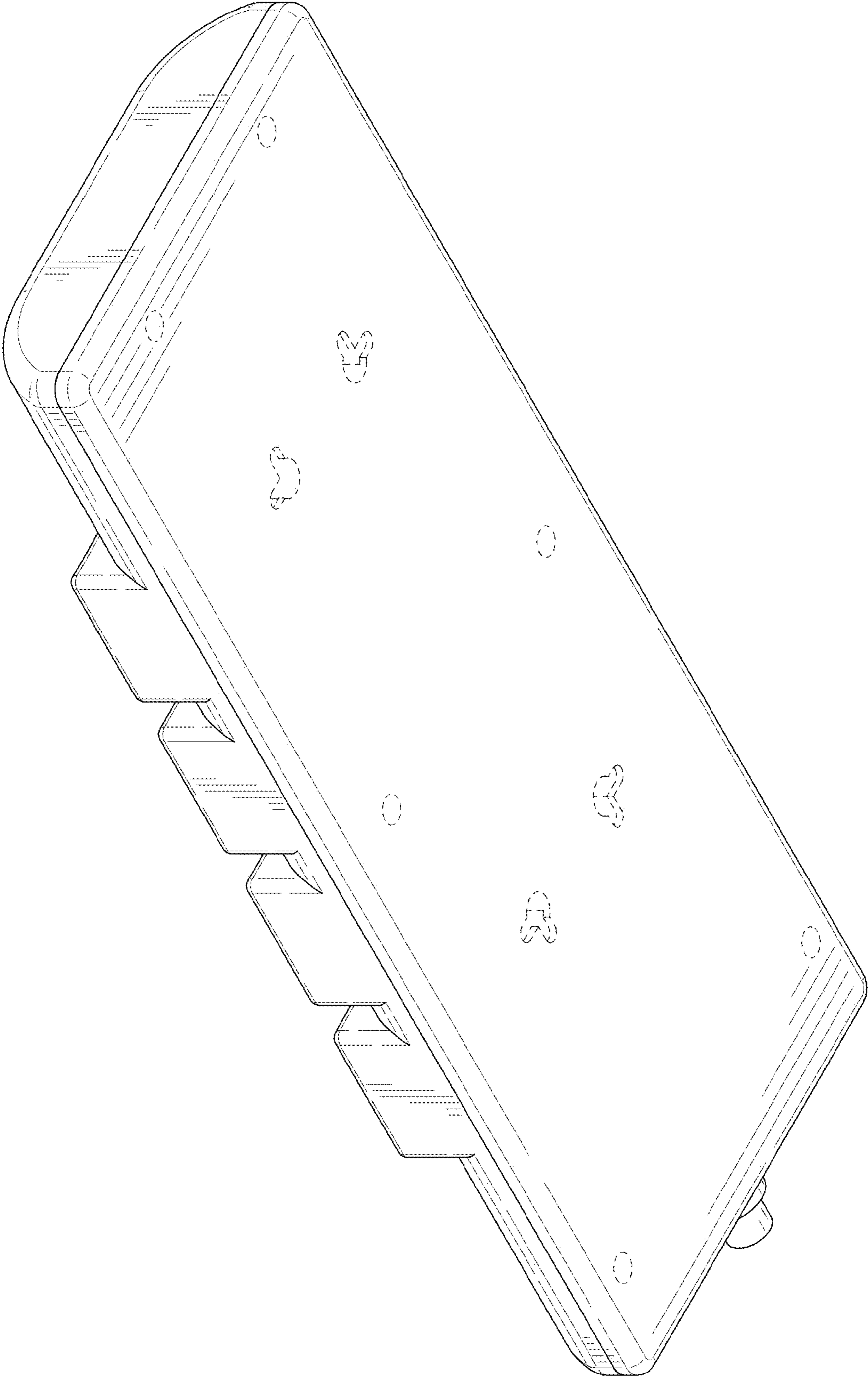


FIG. 2

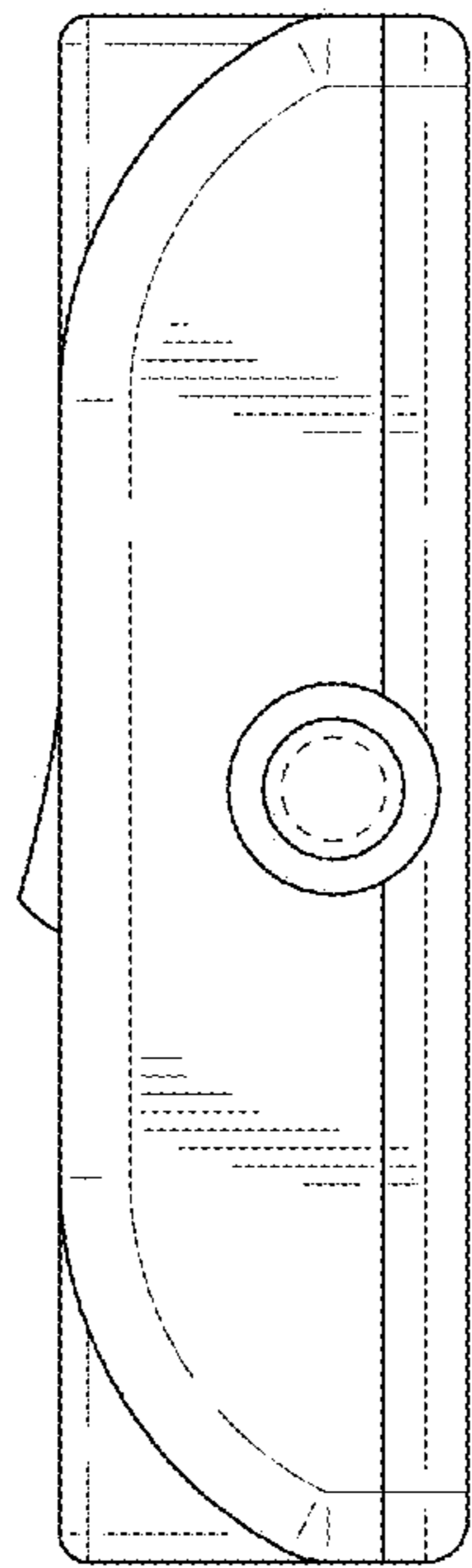


FIG. 3

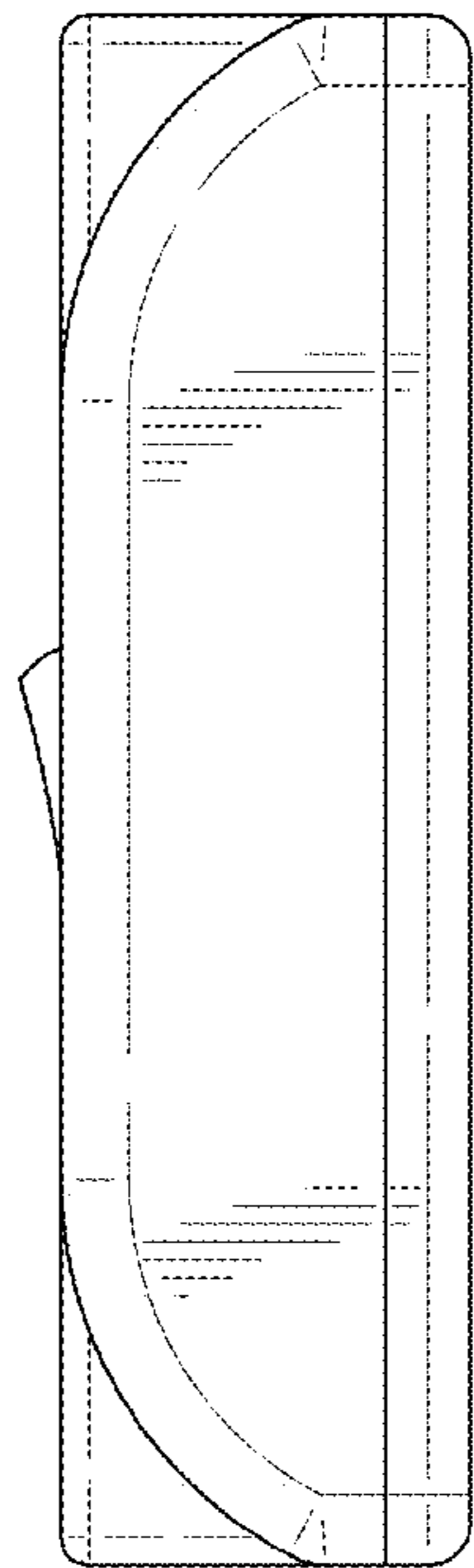


FIG. 4

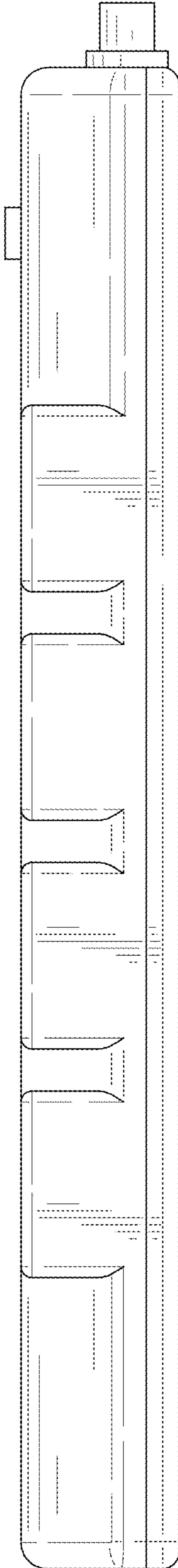


FIG. 5

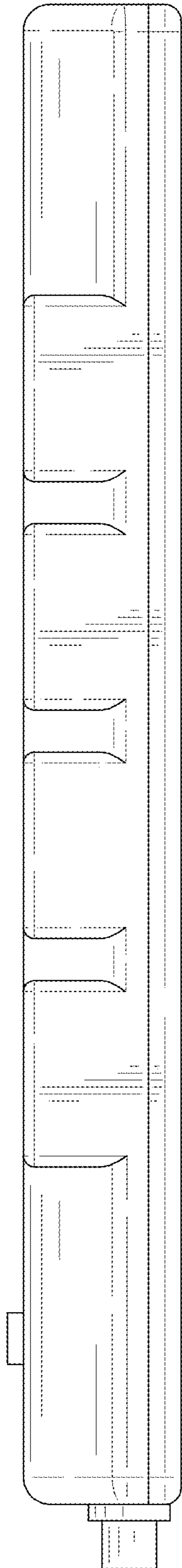


FIG. 6

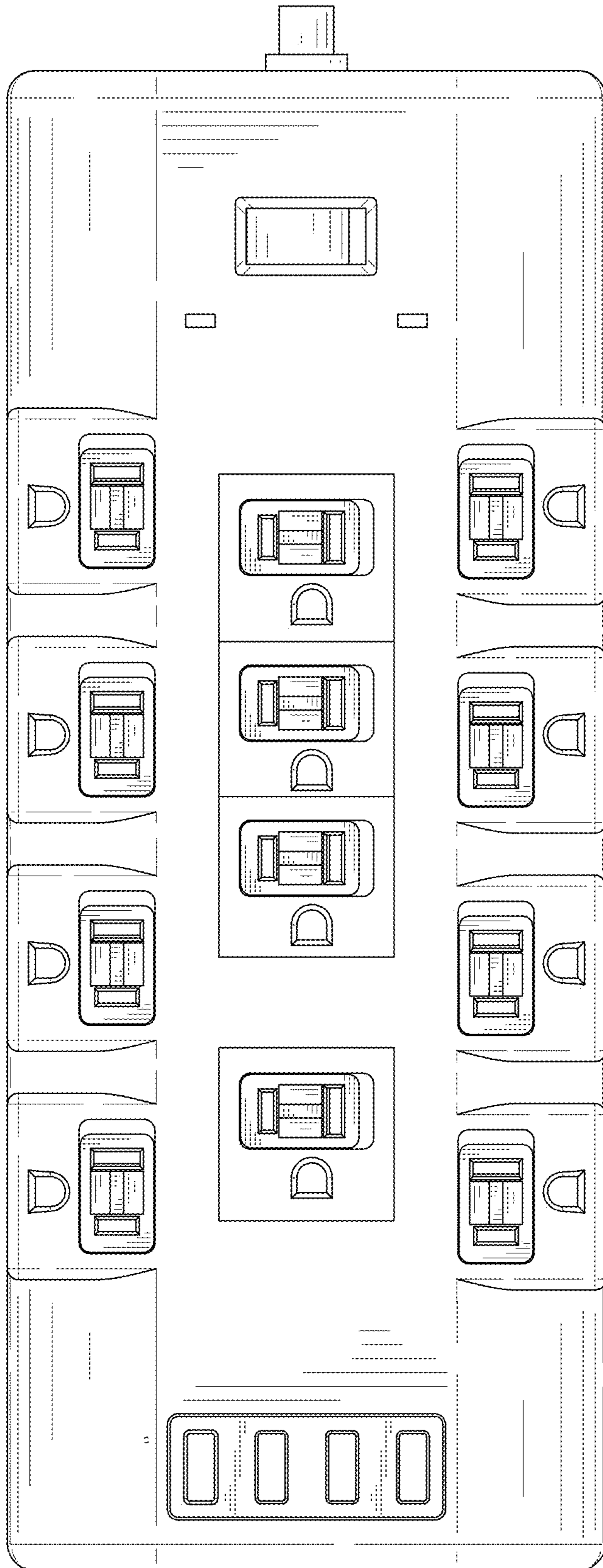


FIG. 7

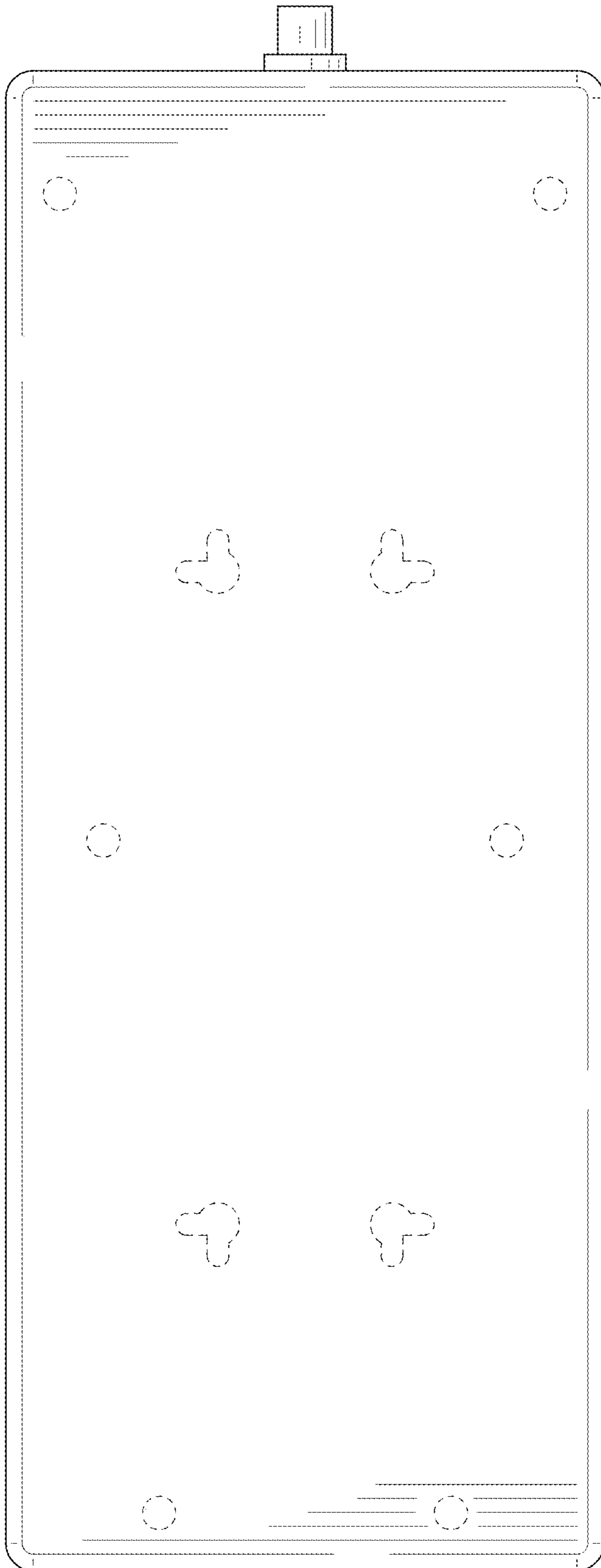


FIG. 8

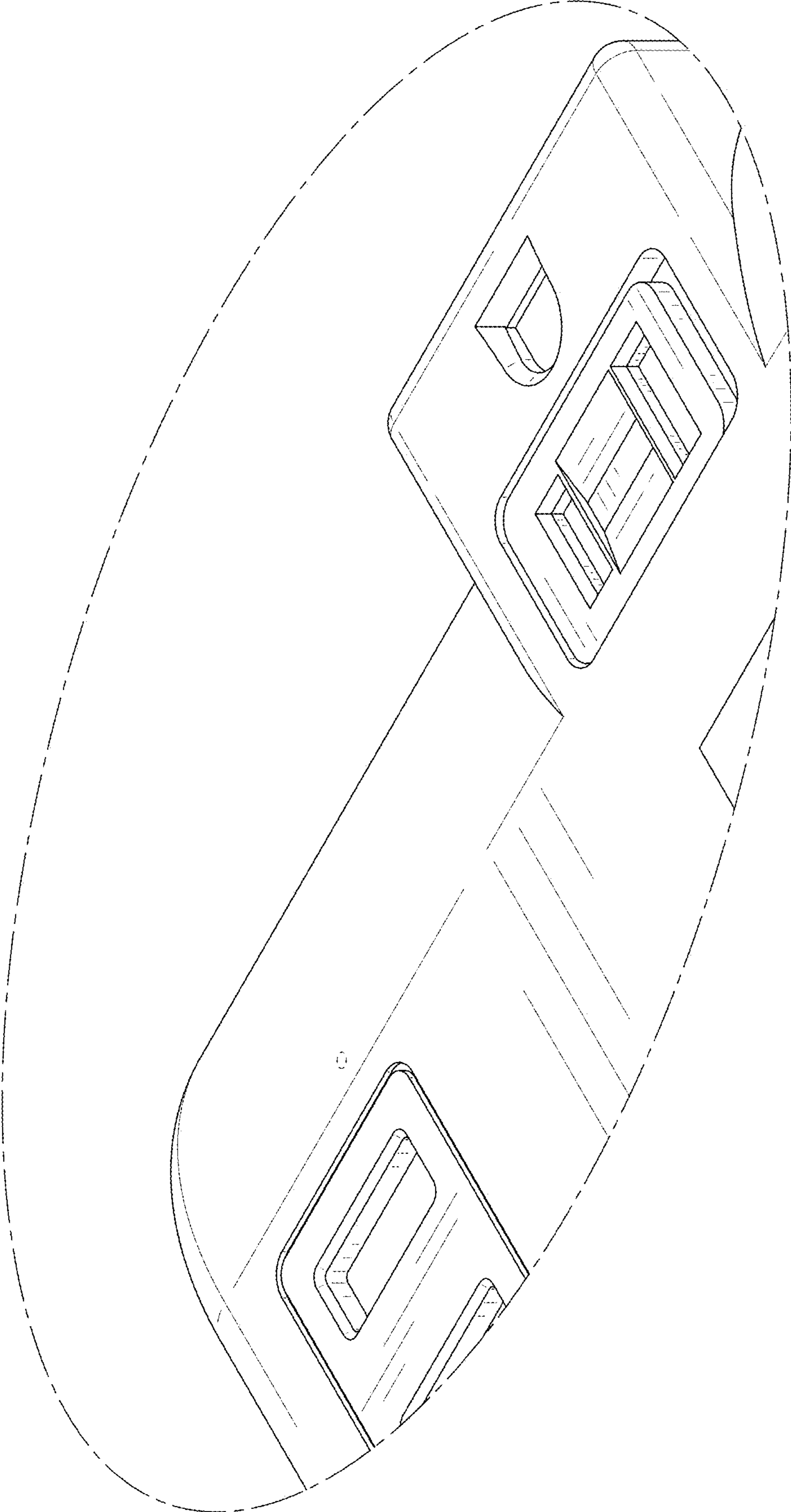


FIG. 9