



US00D963583S

(12) **United States Design Patent** (10) **Patent No.:** **US D963,583 S**
Yu (45) **Date of Patent:** **** Sep. 13, 2022**

(54) **ELECTRICAL PLUG**

FOREIGN PATENT DOCUMENTS

(71) Applicant: **Xuanzhong Yu**, Ningbo (CN)

CN 306915034 * 11/2021
CN 307094507 * 2/2022

(72) Inventor: **Xuanzhong Yu**, Ningbo (CN)

OTHER PUBLICATIONS

(73) Assignee: **NINGBO XUANHUA ELECTRIC CO., LTD.**, Simen Town (CN)

“30 Amp to 30 Amp RV Adapter Cord with Locking Connector Plug, GearIT 30Amp Male to 30Amp Female Dogbone RV Trailer Camper, NEMA TT-30P to L5-30R, STW 10 Gauge Heavy Duty Electrical Power—12in, 1ft”, first available Jan. 18, 2020. Amazon.com [https://www.amazon.com/dp/B07ZL4XQ4Q] (Year: 2020).*

(**) Term: **15 Years**

(Continued)

(21) Appl. No.: **29/768,440**

(22) Filed: **Jan. 29, 2021**

(51) **LOC (13) Cl.** **13-03**

Primary Examiner — Rosemary K Tarcza

(52) **U.S. Cl.**
USPC **D13/138.2**

Assistant Examiner — Seth David Kumpf

(74) *Attorney, Agent, or Firm* — GottardoLaw LLC

(58) **Field of Classification Search**

USPC ... D13/123, 133, 137.1, 137.2, 137.3, 137.4,
D13/138.1, 138.2, 139.1, 139.2, 139.3,
D13/139.4, 139.5, 139.6, 139.7, 139.8,
D13/151, 152, 153, 154, 155, 156, 157,
D13/158, 159, 184, 199, 103, 107, 108
CPC H01R 13/00; H01R 13/03; H01R 13/04;
H01R 13/10; H01R 13/35; H01R 13/44;
H01R 13/453; H01R 13/4534; H01R
13/502; H01R 13/514; H01R 13/631;
H01R 13/639; H01R 13/6633; H01R
13/6666; H01R 13/6675; H01R 13/7135;
H01R 31/02; H01R 31/06; H01R 31/065

See application file for complete search history.

(57) **CLAIM**

The ornamental design for an electrical plug, as shown and described.

DESCRIPTION

FIG. 1 is a perspective view of the electrical plug illustrating my new design;
FIG. 2 is an elevation view of the left side of the electrical plug of FIG. 1;
FIG. 3 is an elevation view of the right side of the electrical plug of FIG. 1;
FIG. 4 is a top plan view of the electrical plug of FIG. 1;
FIG. 5 is a bottom plan view of the electrical plug of FIG. 1;
FIG. 6 is an elevation view of the forward end of the electrical plug of FIG. 1; and,
FIG. 7 is an elevation view of the rearward end of the electrical plug of FIG. 1.
The broken lines are for the purpose of illustrating portions of the electrical plug that form no part of the claimed design.

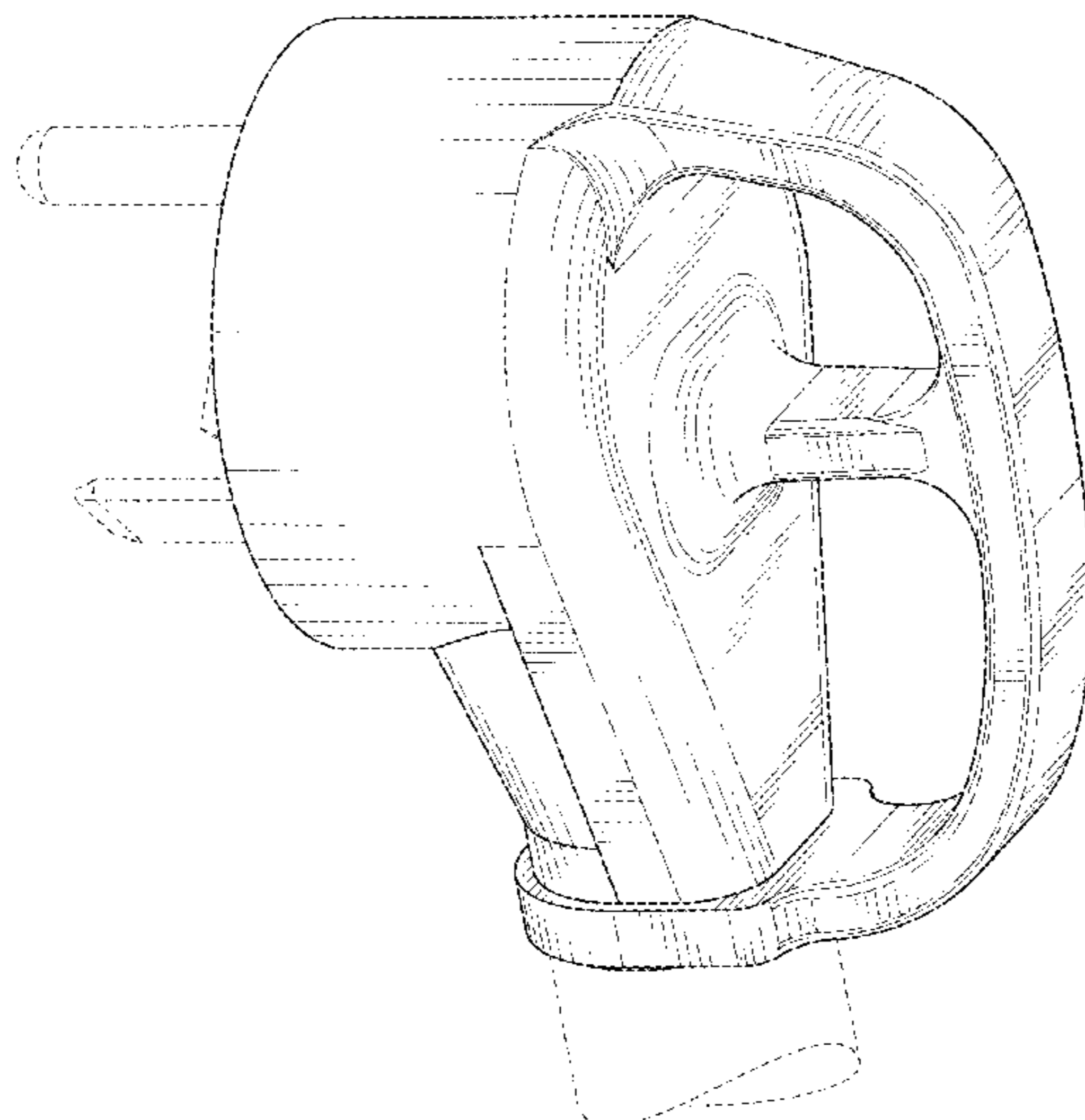
(56) **References Cited**

U.S. PATENT DOCUMENTS

D297,231 S * 8/1988 Rasnake D10/80
D425,860 S * 5/2000 Goto D13/133
D448,734 S * 10/2001 Nakashima D13/153
D466,867 S * 12/2002 Krobusek D13/137.4
D479,826 S * 9/2003 Verfueth D13/146
D549,651 S * 8/2007 Mancari D13/138.2
D592,141 S * 5/2009 Mancari D13/139.1
D602,434 S * 10/2009 Mancari D13/139.1

(Continued)

1 Claim, 7 Drawing Sheets



(56)

References Cited

U.S. PATENT DOCUMENTS

D635,515 S * 4/2011 Atwell D13/138.2
D635,937 S * 4/2011 Aromin D13/160
D638,359 S * 5/2011 Atwell D13/138.2
D651,175 S * 12/2011 Liang-Hsu D13/139.1
D660,236 S * 5/2012 Liang-Hsu D13/139.1
D720,300 S * 12/2014 Lee D13/153
D726,114 S * 4/2015 Nook D13/133
D737,774 S * 9/2015 Zhu D13/138.1
D765,032 S 8/2016 Zhu et al.
D860,947 S * 9/2019 Sumida D13/137.2
D903,599 S * 12/2020 Hansen D13/133
D914,609 S * 3/2021 Mi D13/137.4
D941,772 S * 1/2022 Mi D13/137.4

OTHER PUBLICATIONS

“Camco (55165) Heavy Duty RV Dogbone Electrical Adapter with Innovative 180 Degree Bend Design and Easy PowerGrip Handle—15 Amp Male to 30 Amp Female, 12", Black”, first available Sep. 14, 2005. Amazon.com [<https://www.amazon.com/dp/B000BUU5YA>] (Year: 2005).*

“CircleCord 30 Amp to 15 Amp 110 RV Adapter Cord, NEMA 5-15P Male to TT-30R Female Electrical Power Dogbone with Grip Handle, Heavy Duty STW 10 Gauge for RV Trailer Camper”, first available Dec. 26, 2020. Amazon.com [<https://www.amazon.com/dp/B08RBKQ1JG>] (Year: 2020).*

“ParkPower by Marinco 50 Amp, 125/250V Locking W/Sealing Collar Male Plug to 50 Amp, 125/250V Locking Female Side Yellow Right Angle Adapter”, first available Nov. 12, 2009. Amazon.com [<https://www.amazon.com/dp/B002XLHNAY>] (Year: 2009).*

* cited by examiner

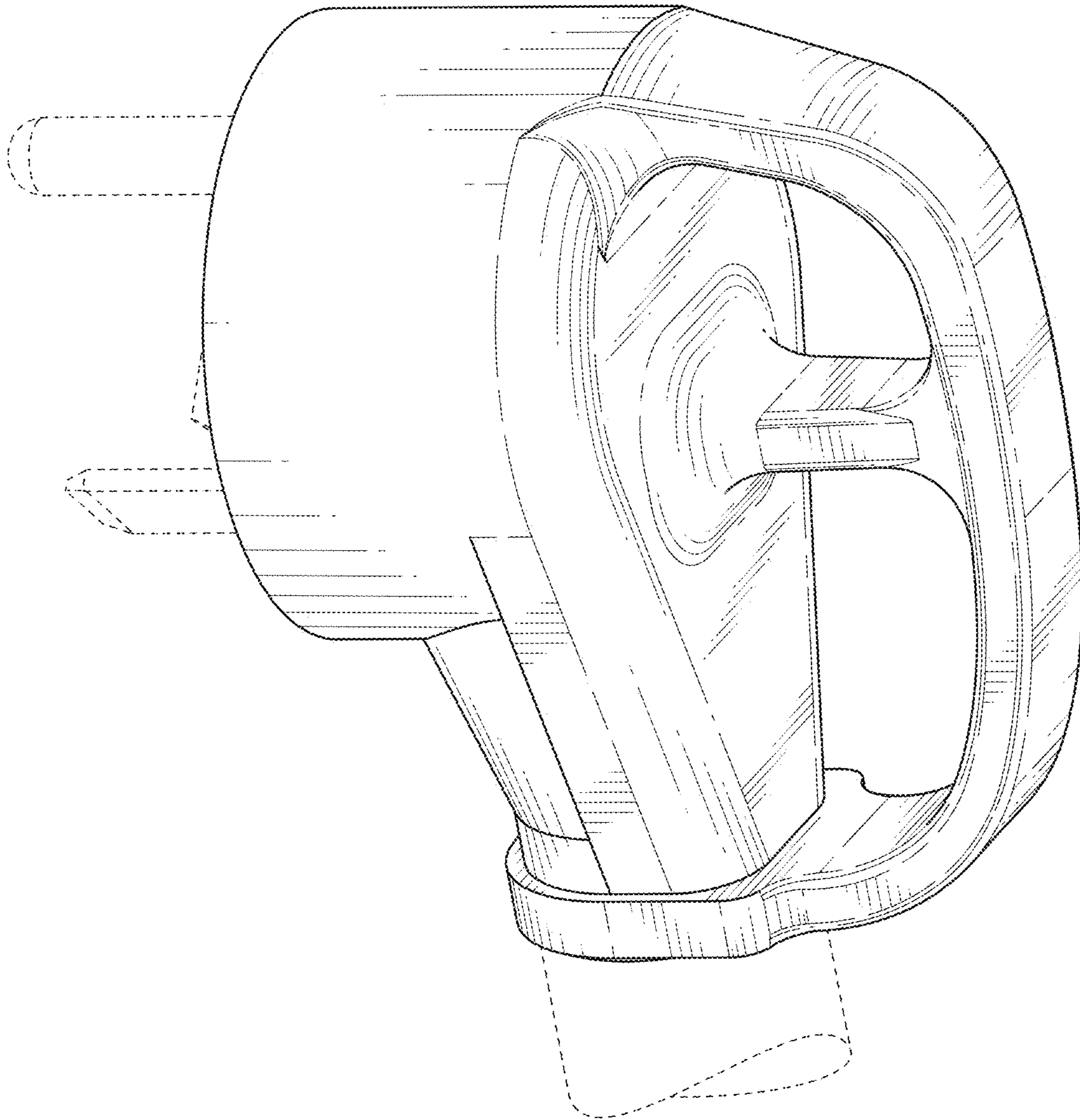


FIG. 1

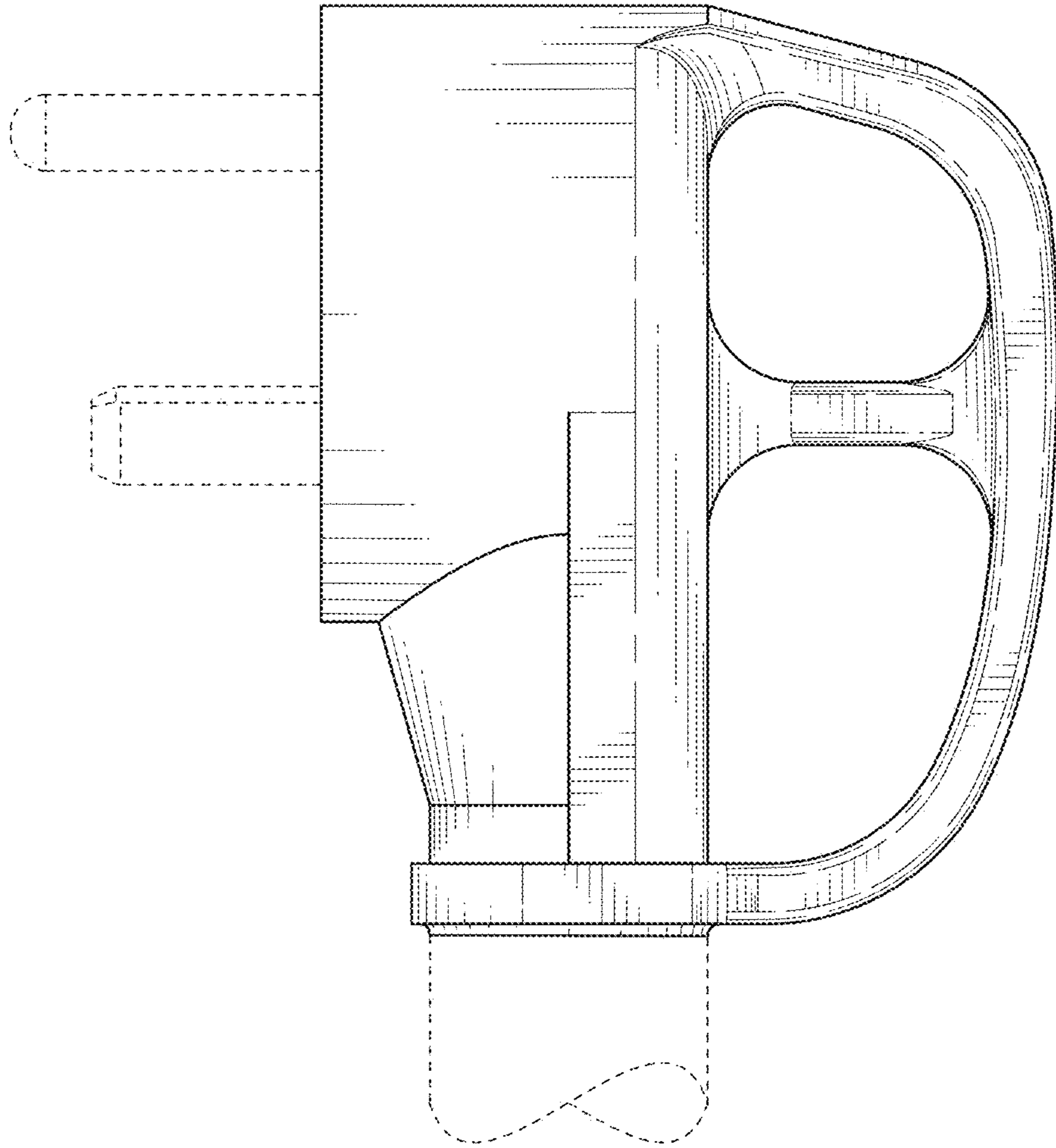


FIG. 2

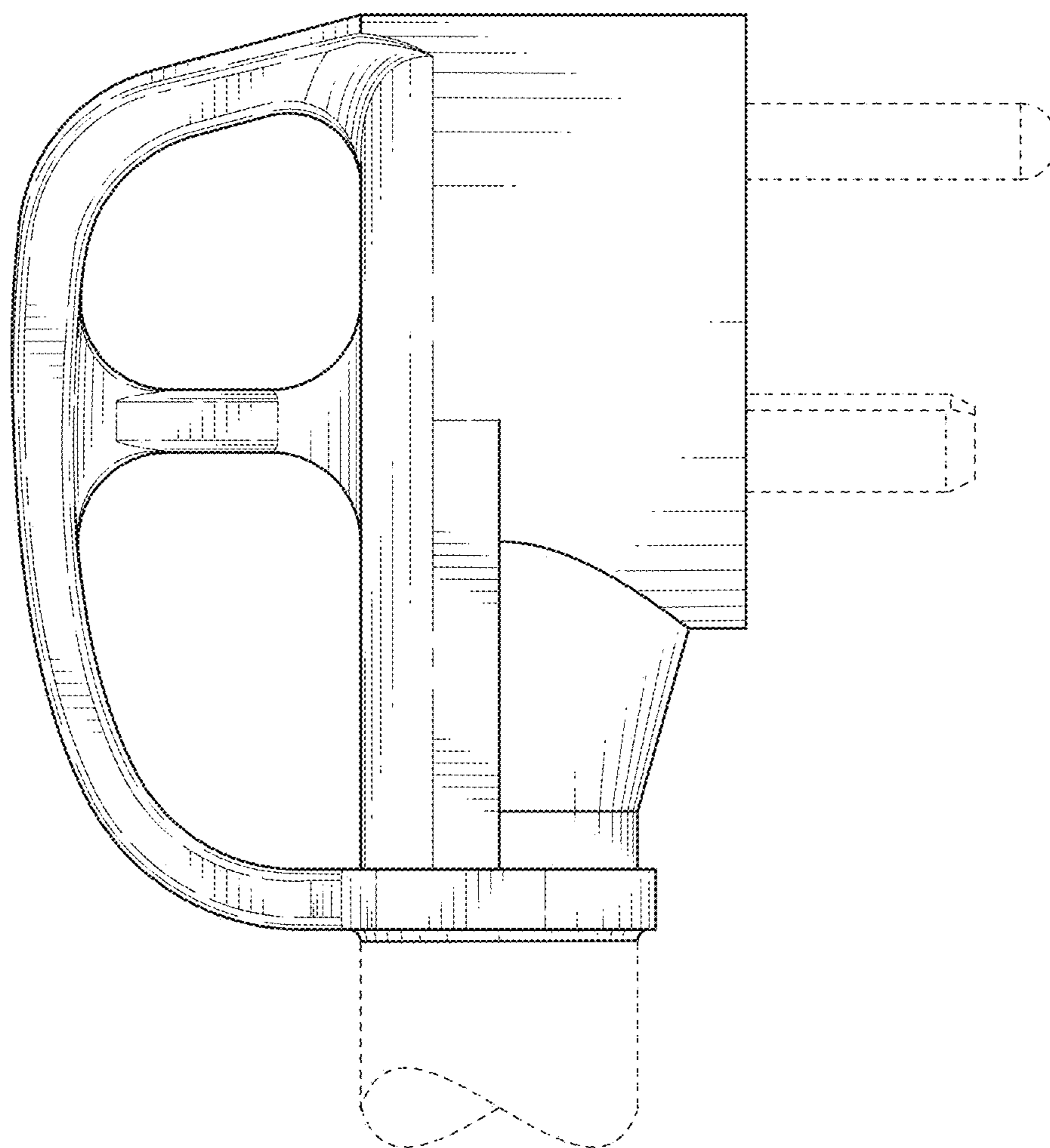


FIG. 3

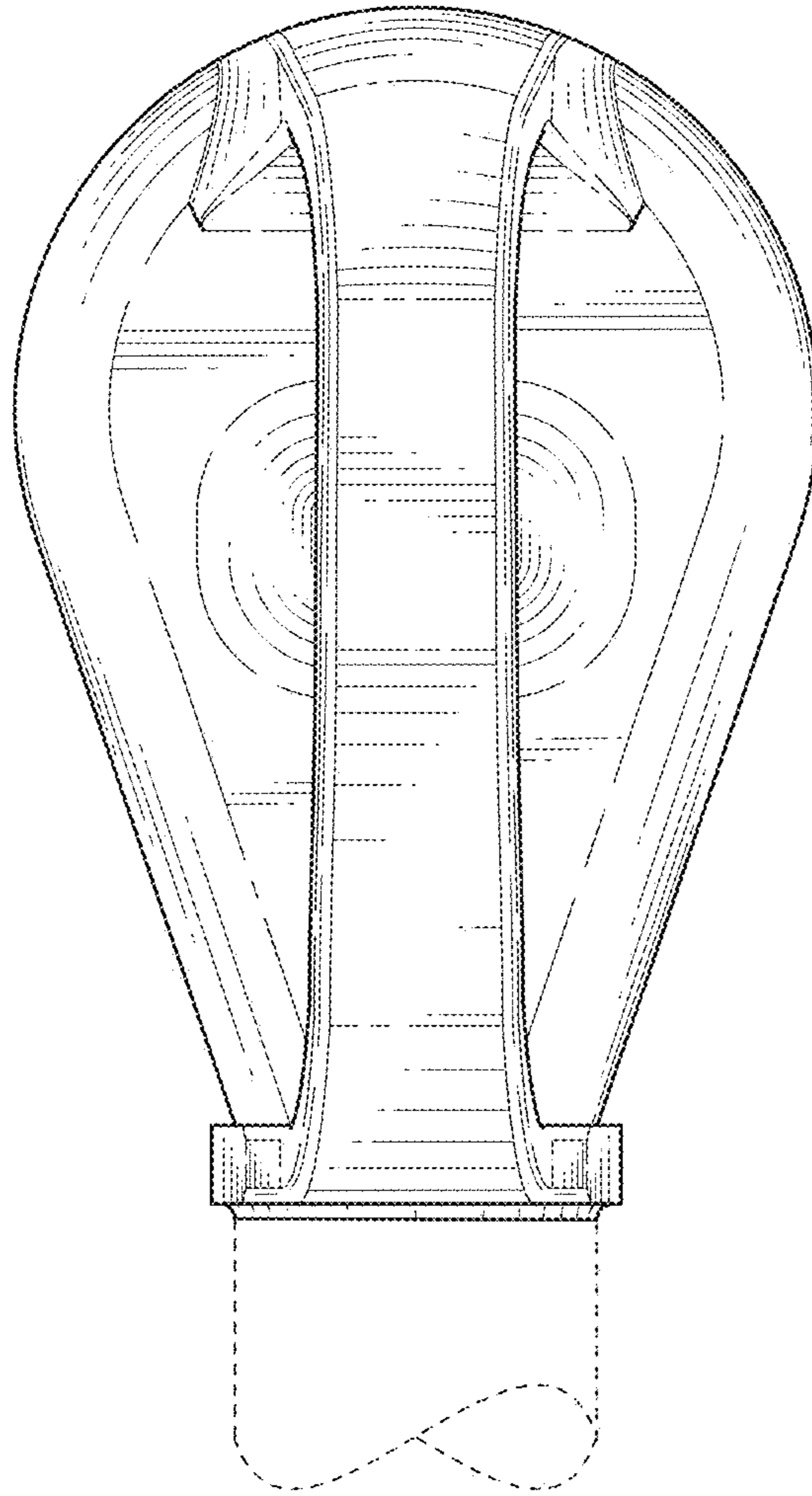


FIG. 4

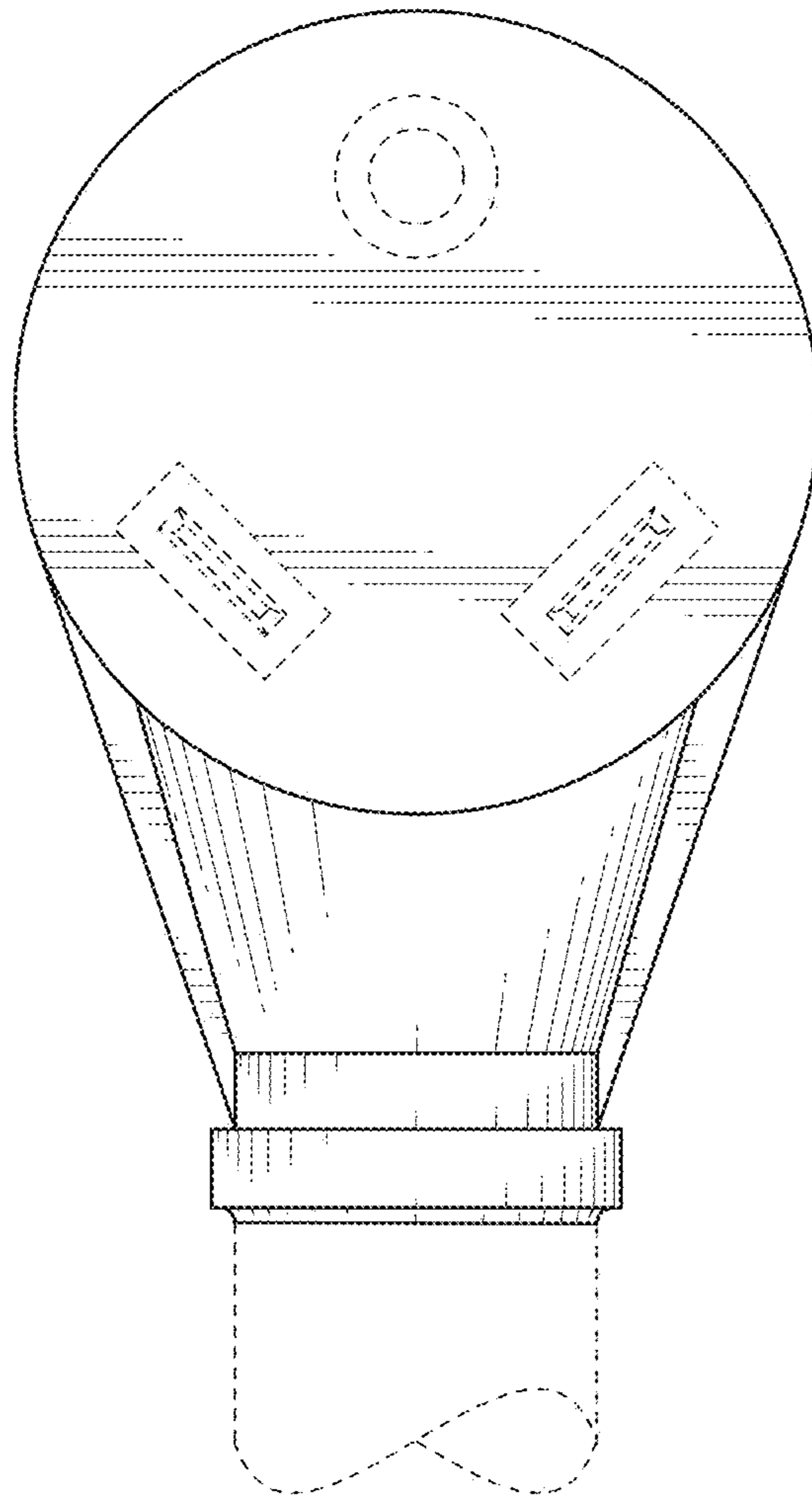


FIG. 5

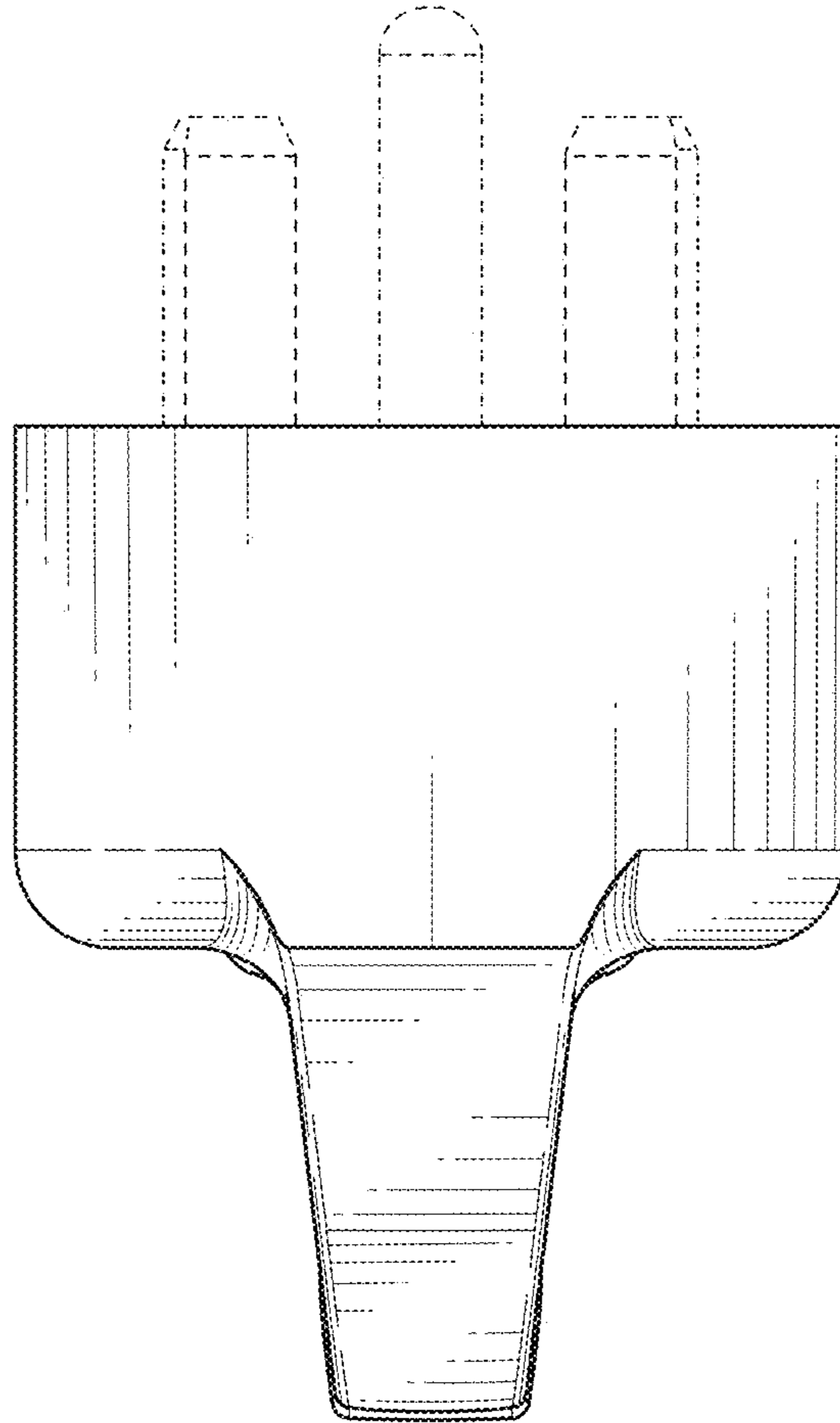


FIG. 6

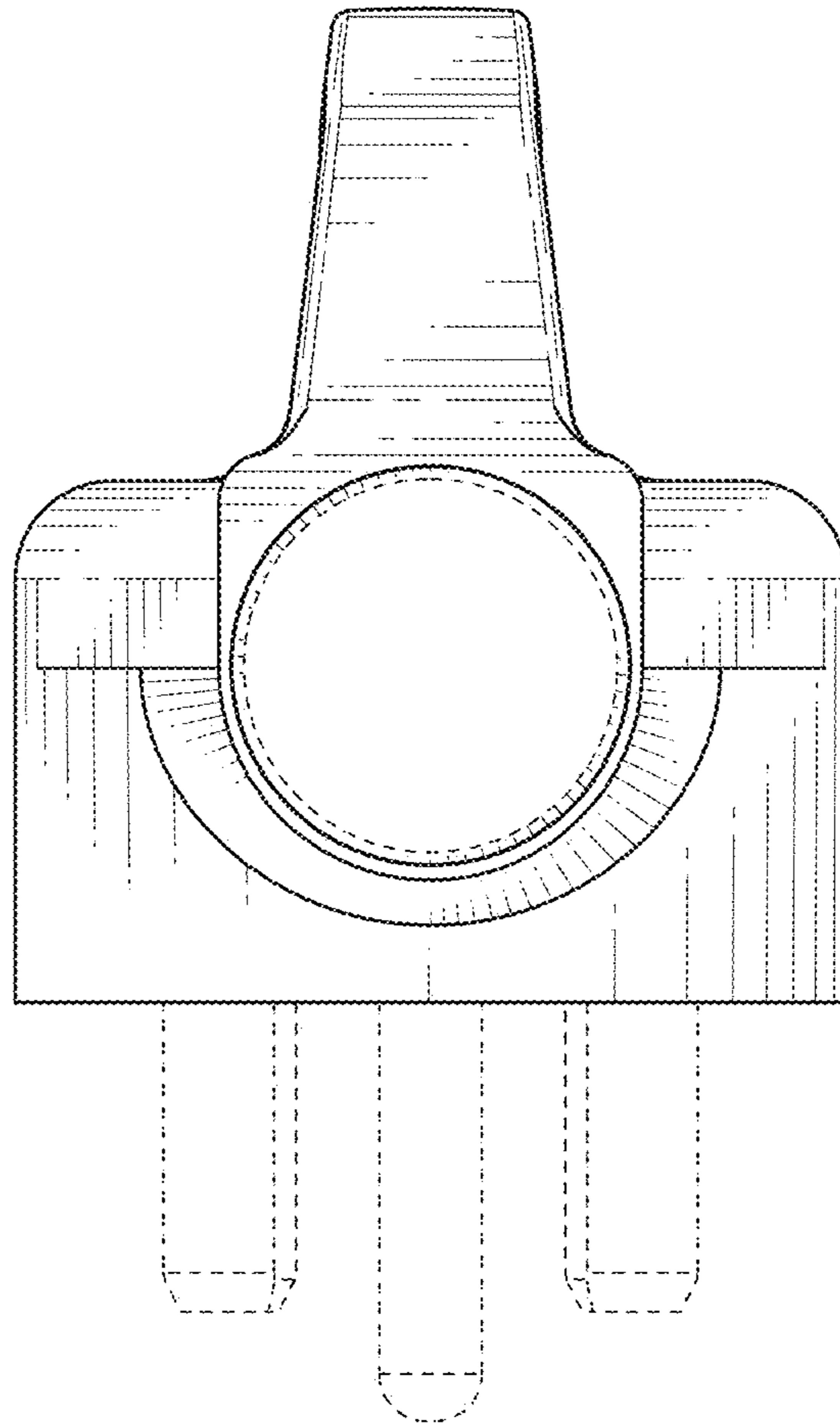


FIG. 7