

US00D963582S

(12) **United States Design Patent** (10) **Patent No.:** **US D963,582 S**
Hong (45) **Date of Patent:** **** Sep. 13, 2022**

(54) **CHARGER FOR WALKIE-TALKIE**

(71) Applicant: **Shaohua Hong**, Fujian (CN)

(72) Inventor: **Shaohua Hong**, Fujian (CN)

(**) Term: **15 Years**

(21) Appl. No.: **29/775,285**

(22) Filed: **Mar. 23, 2021**

Related U.S. Application Data

(62) Division of application No. 29/710,519, filed on Oct. 24, 2019, now Pat. No. Des. 931,221.

(30) **Foreign Application Priority Data**

Jul. 4, 2019 (CN) 201930351922.0

(51) **LOC (13) Cl.** **13-03**

(52) **U.S. Cl.**
USPC **D13/138.1; D13/108**

(58) **Field of Classification Search**
USPC D13/103, 107, 108, 110, 118, 119, 137.2,
D13/137.3, 138.1, 139.1, 139.4, 139.5;
D14/251, 252, 253, 432, 433, 434, 447
CPC H01R 24/00; H01R 12/592; H02J 7/0044;
H02J 7/0045
See application file for complete search history.

(56) **References Cited**

U.S. PATENT DOCUMENTS

- 6,320,353 B1 * 11/2001 Chiu H01R 31/06
320/107
- D481,674 S * 11/2003 Sade D13/108
- D587,191 S * 2/2009 Kim D13/108
- D592,133 S * 5/2009 Dong D13/108
- 7,638,968 B2 * 12/2009 Inoue H01R 31/06
320/107
- D614,130 S * 4/2010 Nysten D13/108

- D617,276 S * 6/2010 Fahrendorff D13/138.1
- D640,631 S * 6/2011 Smith D13/138.1
- D676,810 S * 2/2013 Smith D13/110
- D751,039 S * 3/2016 Ptok D13/146
- D867,285 S * 11/2019 Akana D13/110
- D931,221 S * 9/2021 Hong D13/138.1
- 2010/0253283 A1 * 10/2010 Francois H02J 7/0042
320/114

OTHER PUBLICATIONS

“Samsung Micro Travel Adapter”. Found online Jan. 14, 2021 at egypt.souq.com. Reference dated May 4, 2015. Retrieved from <https://egypt.souq.com/eg-en/samsung-micro-travel-adapter-4596613/i/>. (Year: 2015).*

(Continued)

Primary Examiner — Kendra Leslie Hamilton
Assistant Examiner — Amanda Christensen

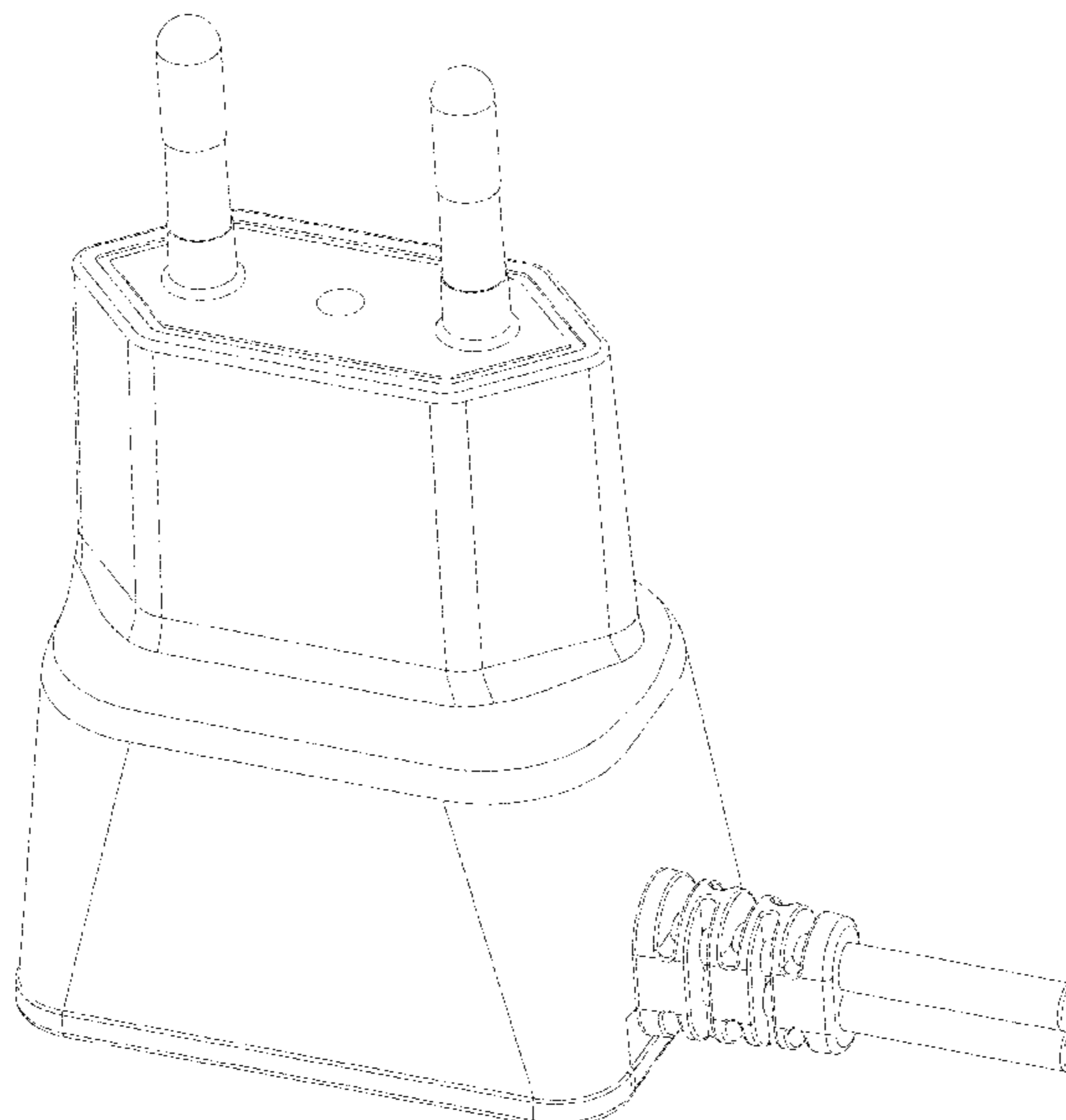
(57) **CLAIM**

The ornamental design for a charger for walkie-talkie, as shown and described.

DESCRIPTION

FIG. 1 is a front elevational view of a charger for walkie-talkie showing my new design;
FIG. 2 is a rear elevational view thereof;
FIG. 3 is a left side view thereof;
FIG. 4 is a right side view thereof;
FIG. 5 is a top plan view thereof;
FIG. 6 is a bottom plan view thereof; and,
FIG. 7 is a top, front, right side perspective view thereof.
The broken lines in the drawings depict portions of the charger for walkie-talkie that form no part of the claimed design.

1 Claim, 7 Drawing Sheets



(56)

References Cited

OTHER PUBLICATIONS

“EU Plug Power Adapter Charger”. Found online Feb. 3, 2021 at dx.com. Reference dated Jan. 21, 2013. Retrieved from <https://www.dx.com/p/universal-dual-usb-eu-plug-ac-power-adapter-charger-white-100-240v-2029928.html#customeReviewTabsPanel>. (Year: 2013).*

“Charger For Samsung Galaxy S3”. Found online Jan. 14, 2021 at egypt.souq.com. Reference dated May 12, 2016. Retrieved from <https://egypt.souq.com/eg-en/charger-for-samsung-galaxy-s3-6789081/i/#Reviews>. (Year: 2016).*

* cited by examiner

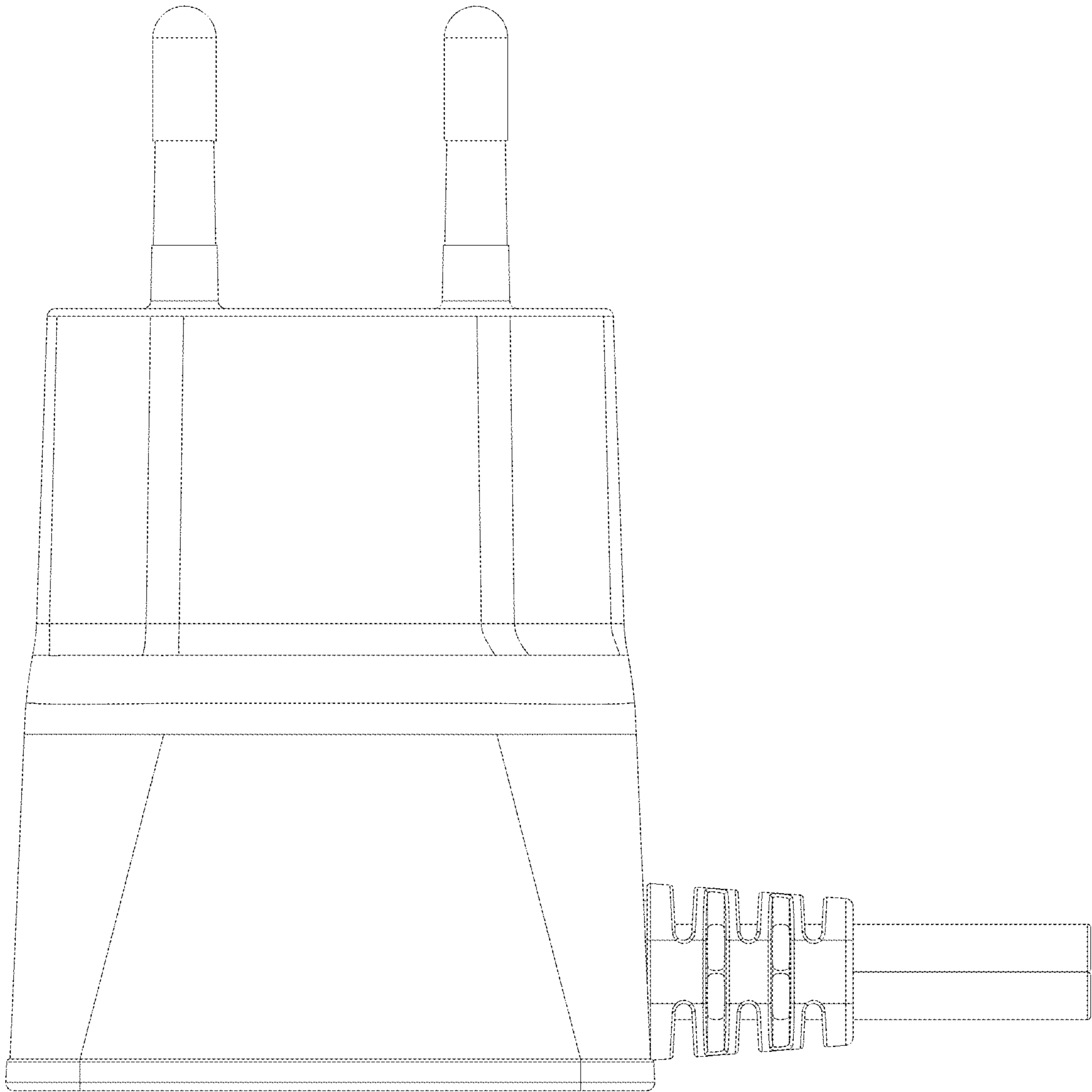


FIG. 1

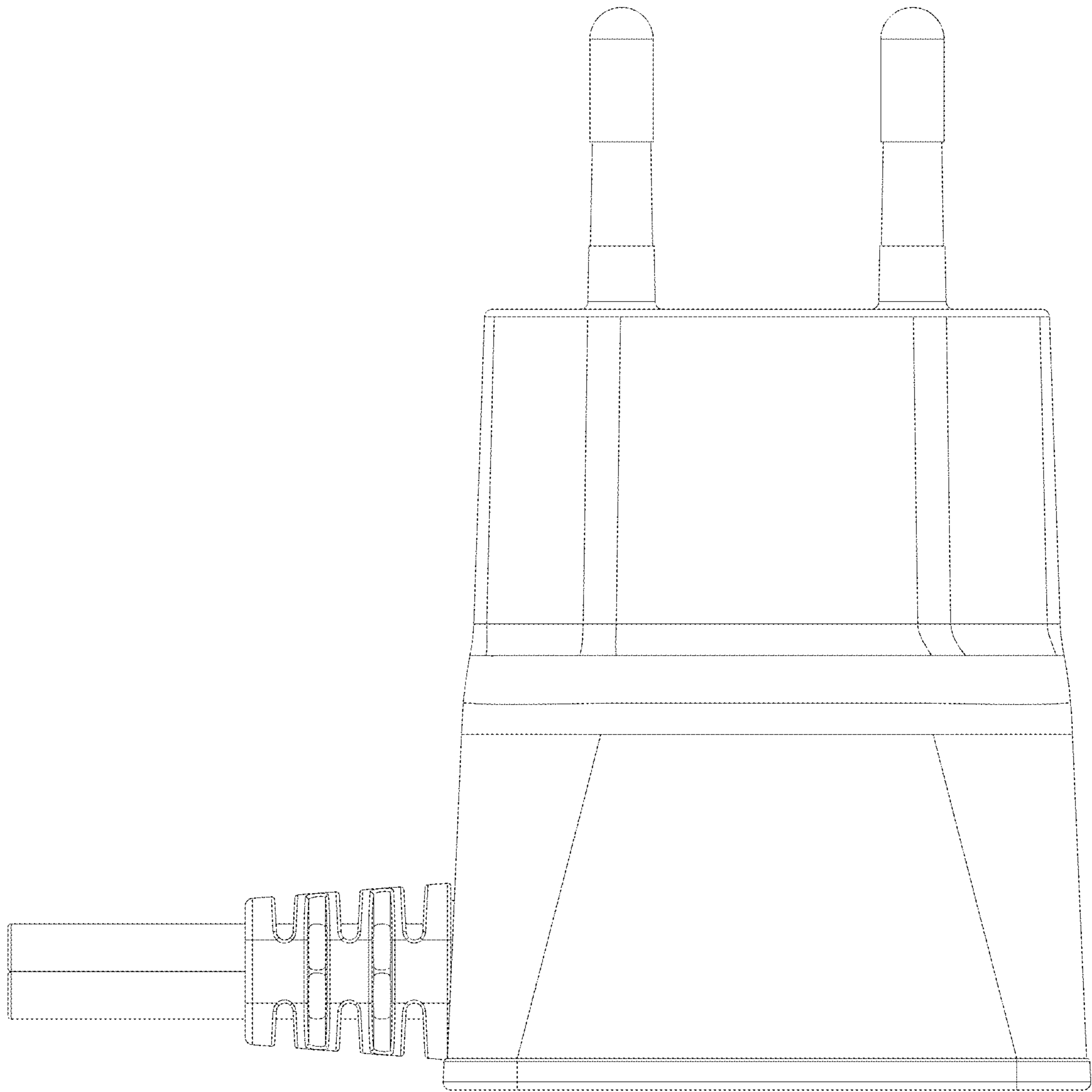


FIG. 2

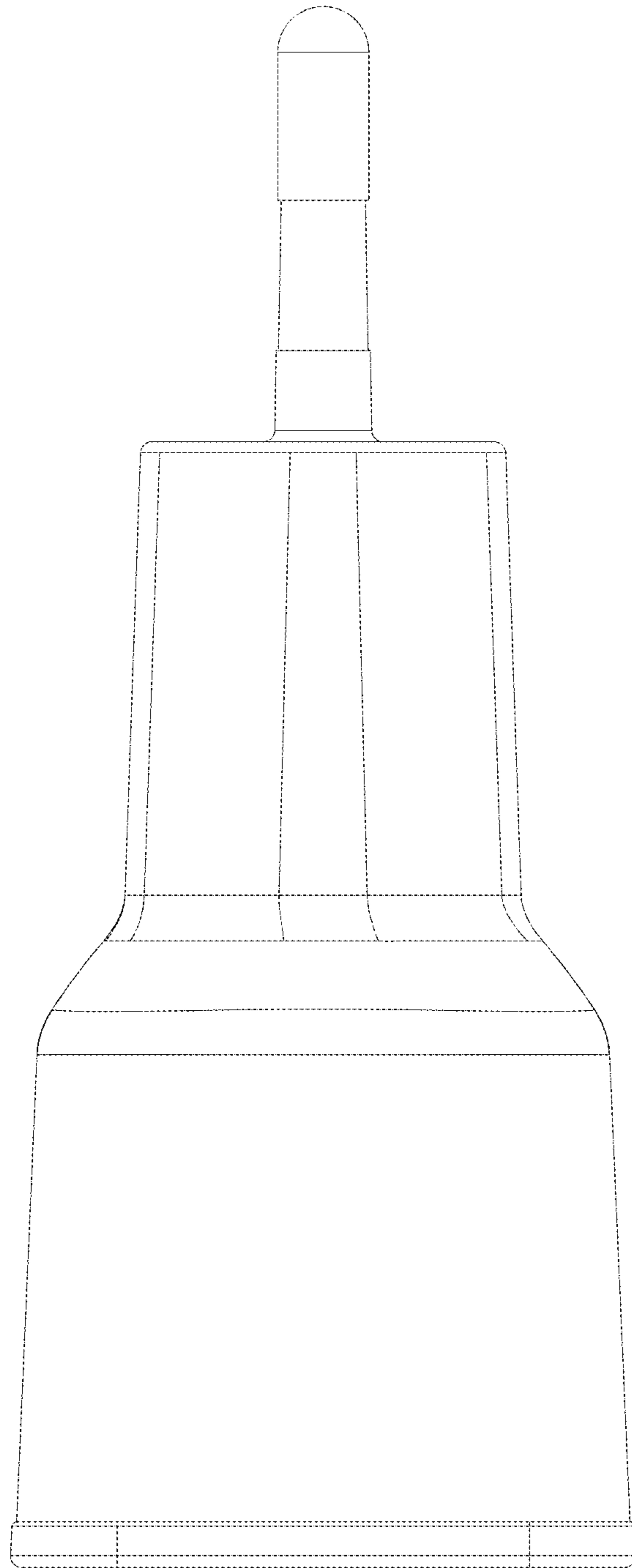


FIG. 3

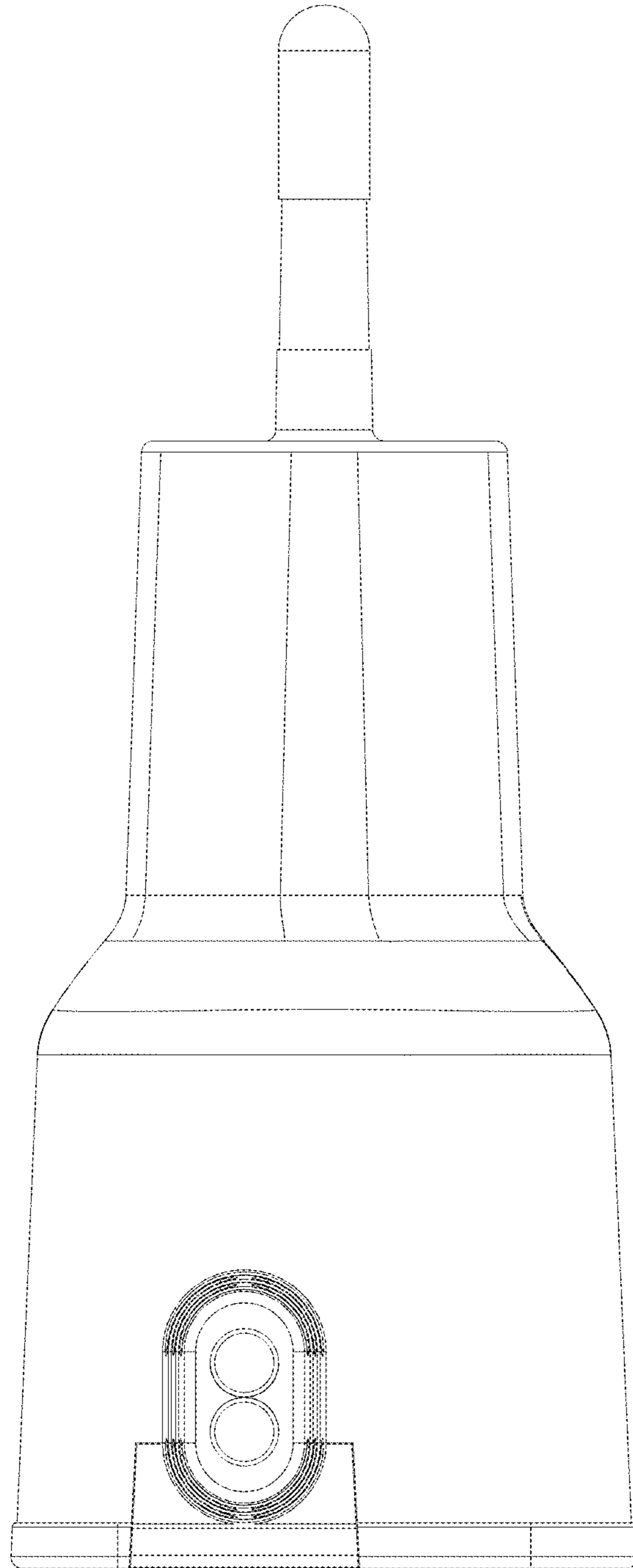


FIG. 4

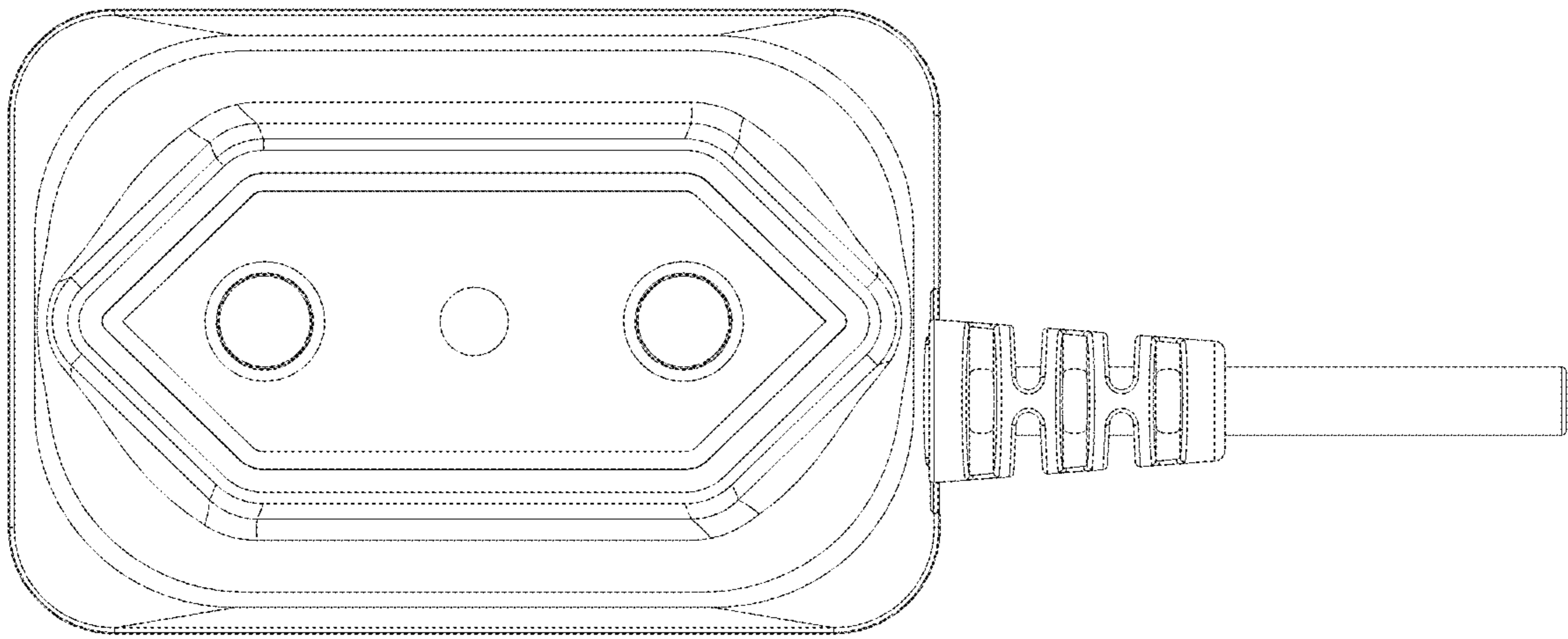


FIG. 5

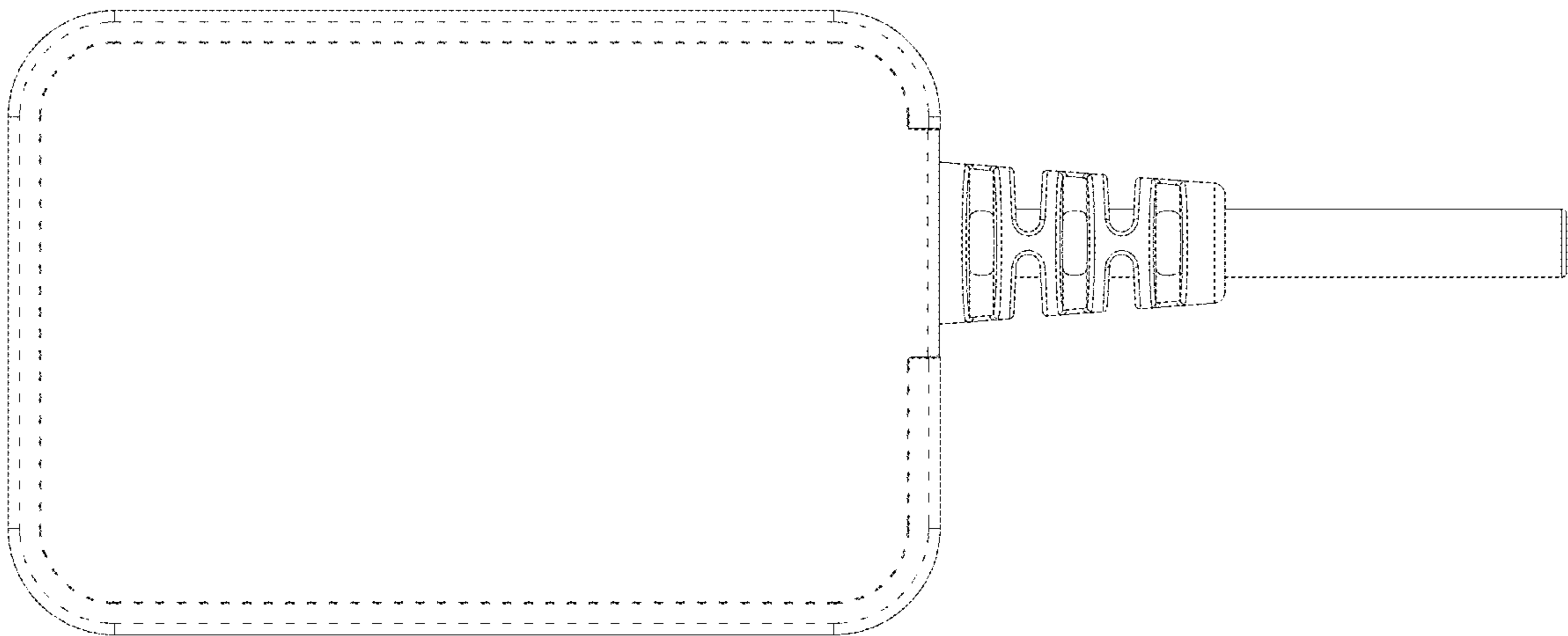


FIG. 6

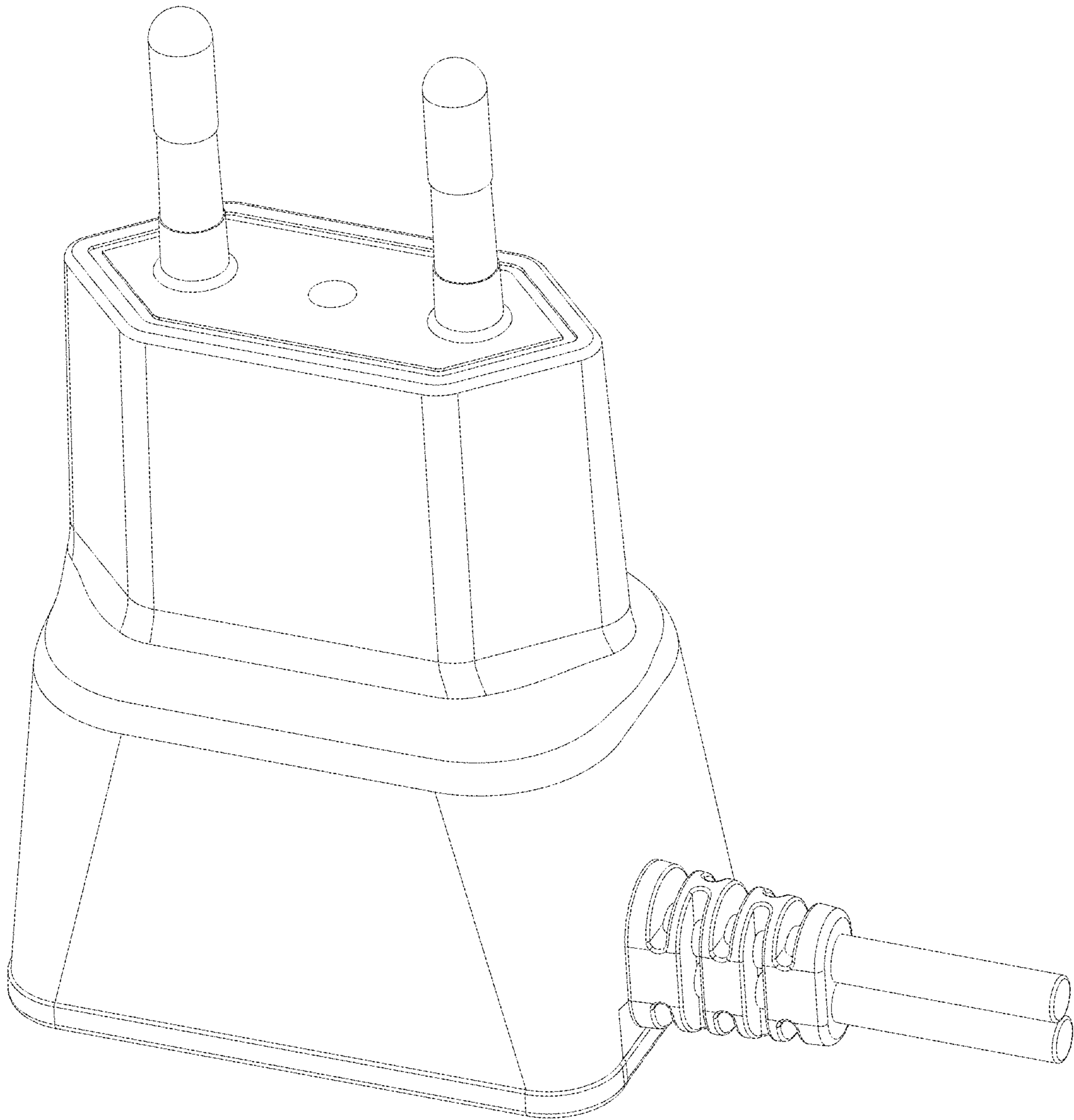


FIG. 7