



US00D963581S

(12) **United States Design Patent**  
**Kimmet**

(10) **Patent No.:** **US D963,581 S**  
(45) **Date of Patent:** **\*\* Sep. 13, 2022**

(54) **ELECTRICAL POWER INLET CONNECTION DEVICE**

(71) Applicant: **Stephen G. Kimmet**, Tiffin, OH (US)

(72) Inventor: **Stephen G. Kimmet**, Tiffin, OH (US)

(\*\*) Term: **15 Years**

(21) Appl. No.: **29/730,375**

(22) Filed: **Apr. 3, 2020**

(51) **LOC (13) Cl.** ..... **13-03**

(52) **U.S. Cl.**  
USPC ..... **D13/137.2**

(58) **Field of Classification Search**

USPC ... D13/123, 133, 137.1, 137.2, 137.3, 137.4,  
D13/138.1, 138.2, 139.1, 139.2, 139.3,  
D13/139.4, 139.5, 139.6, 139.7, 139.8,  
D13/151, 152, 153, 154, 155, 156, 157,  
D13/158, 159, 184, 199, 103, 107, 108  
CPC ..... H01R 13/00; H01R 13/03; H01R 13/04;  
H01R 13/10; H01R 13/35; H01R 13/44;  
H01R 13/453; H01R 13/4534; H01R  
13/502; H01R 13/514; H01R 13/631;  
H01R 13/639; H01R 13/6633; H01R  
13/6666; H01R 13/6675; H01R 13/7135;  
H01R 31/02; H01R 31/06; H01R 31/065  
See application file for complete search history.

(56) **References Cited**

**U.S. PATENT DOCUMENTS**

D148,379 S *	1/1948	Nagy	.....	D13/138.1
D375,292 S *	11/1996	D'Amato	.....	D13/137.1
D436,921 S *	1/2001	McCoy	.....	D13/139.1
6,386,921 B1 *	5/2002	Casari	.....	H01R 31/06 439/651
D719,512 S *	12/2014	Roy	.....	D13/139.6
D726,653 S *	4/2015	Kourtis	.....	D13/137.1
D808,339 S *	1/2018	Page	.....	D13/139.4
D817,281 S *	5/2018	Salas	.....	D13/137.2

(Continued)

**FOREIGN PATENT DOCUMENTS**

CA 193423 \* 4/2022  
CN 304095409 \* 4/2017

(Continued)

**OTHER PUBLICATIONS**

“Meross Smart Wi-Fi Dual Plug, 15A Smart 2-in-1 Outlet, Support Apple HomeKit, Siri, Alexa, Echo, Google Assistant and Smart-Things, Voice & Remote Control, Timer, No Hub Required, 2.4G Only, 2 Pack”, first available May 10, 2020. Amazon.com [https://www.amazon.com/dp/B088FCQHF8] (Year: 2020).\*

(Continued)

*Primary Examiner* — Rosemary K Tarcza

*Assistant Examiner* — Seth David Kumpf

(74) *Attorney, Agent, or Firm* — Jacob M. Ward; Ward Law Office LLC

(57) **CLAIM**

The ornamental design for an electrical power inlet connection device, as shown and described.

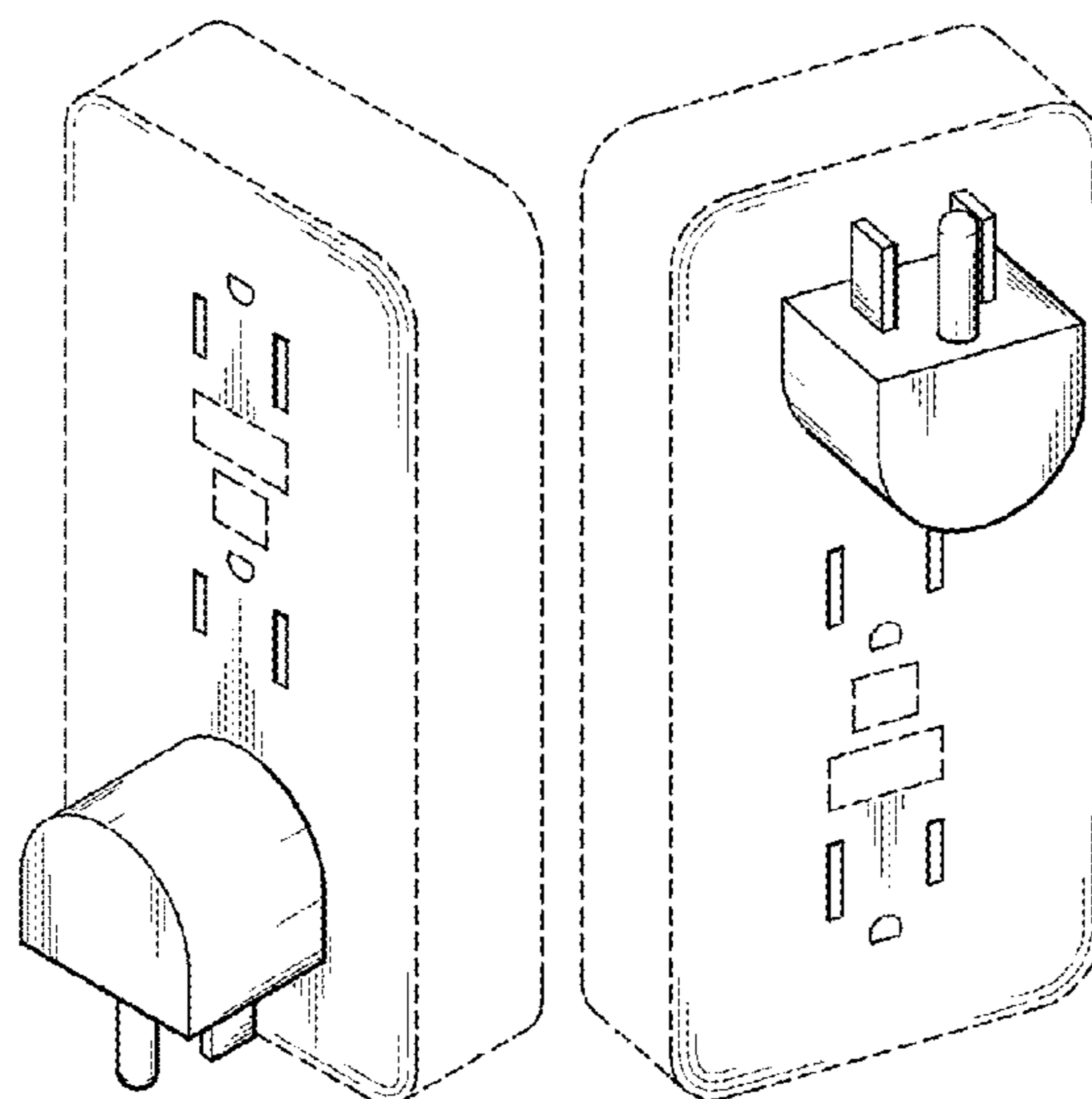
**DESCRIPTION**

FIG. 1 is a top perspective view of an electrical power inlet connection device;  
FIG. 2 is a bottom perspective view thereof;  
FIG. 3 is a front elevational view thereof;  
FIG. 4 is a right elevational view thereof;  
FIG. 5 is a top plan view thereof; and,  
FIG. 6 is a bottom plan view thereof.

A left side elevational view is not shown because it is a mirror image view of the right side elevational view shown in FIG. 4.

The ornamental design which is claimed is shown in solid lines in the drawings. The broken lines shown in the drawings are for the purpose of illustrating environment and form no part of the claimed design.

**1 Claim, 1 Drawing Sheet**



(56)

References Cited

U.S. PATENT DOCUMENTS

D817,884	S	*	5/2018	Salas	.....	D13/137.2
D820,211	S	*	6/2018	Salas	.....	D13/137.2
D843,322	S	*	3/2019	Faul	.....	D13/139.8
D845,900	S	*	4/2019	Liu	.....	D13/137.2
D848,948	S	*	5/2019	Wei	.....	D13/137.2
D851,597	S	*	6/2019	Ding	.....	D13/137.2
D861,613	S	*	10/2019	Dai	.....	D13/137.2
D911,969	S	*	3/2021	Canizares	.....	D13/137.2
D923,576	S	*	6/2021	Lyu	.....	D13/137.2
D928,713	S	*	8/2021	Ni	.....	D13/139.3
D934,177	S	*	10/2021	Canizares	.....	D13/137.2
D936,020	S	*	11/2021	Duc	.....	D13/110
D936,597	S	*	11/2021	Salas	.....	D13/139.3
11,183,799	B2	*	11/2021	Kimmet	.....	H01R 13/7135
D946,532	S	*	3/2022	Fu	.....	D13/137.2
2002/0182906	A1	*	12/2002	Teng	.....	H01R 31/06 439/131

FOREIGN PATENT DOCUMENTS

CN	304240768	*	8/2017
CN	304694651	*	6/2018
CN	305141472	*	5/2019
CN	305293837	*	8/2019

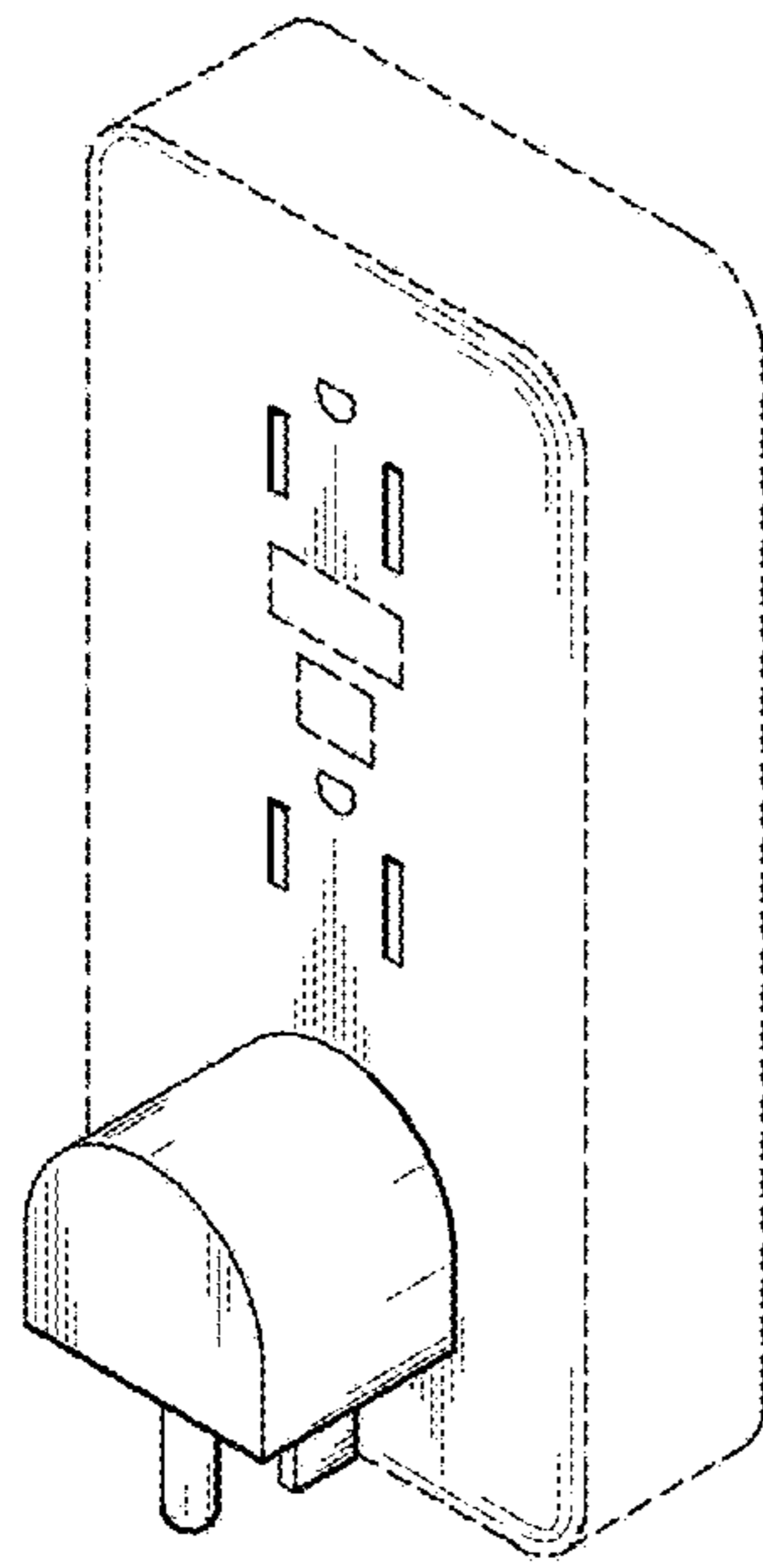
OTHER PUBLICATIONS

“Smart Plug Extender, Dual WiFi Outlet Works with Alexa and Google Home, Surge Protector Mini Socket Plug-in Remote Control and Timer Function, ETL FCC Listed, 2.4G Wi-Fi Only, 10A 1200W, 2-Pack, White”, first available Nov. 26, 2021. Amazon.com [https://www.amazon.com/dp/B09MLSYH19] (Year: 2021).\*

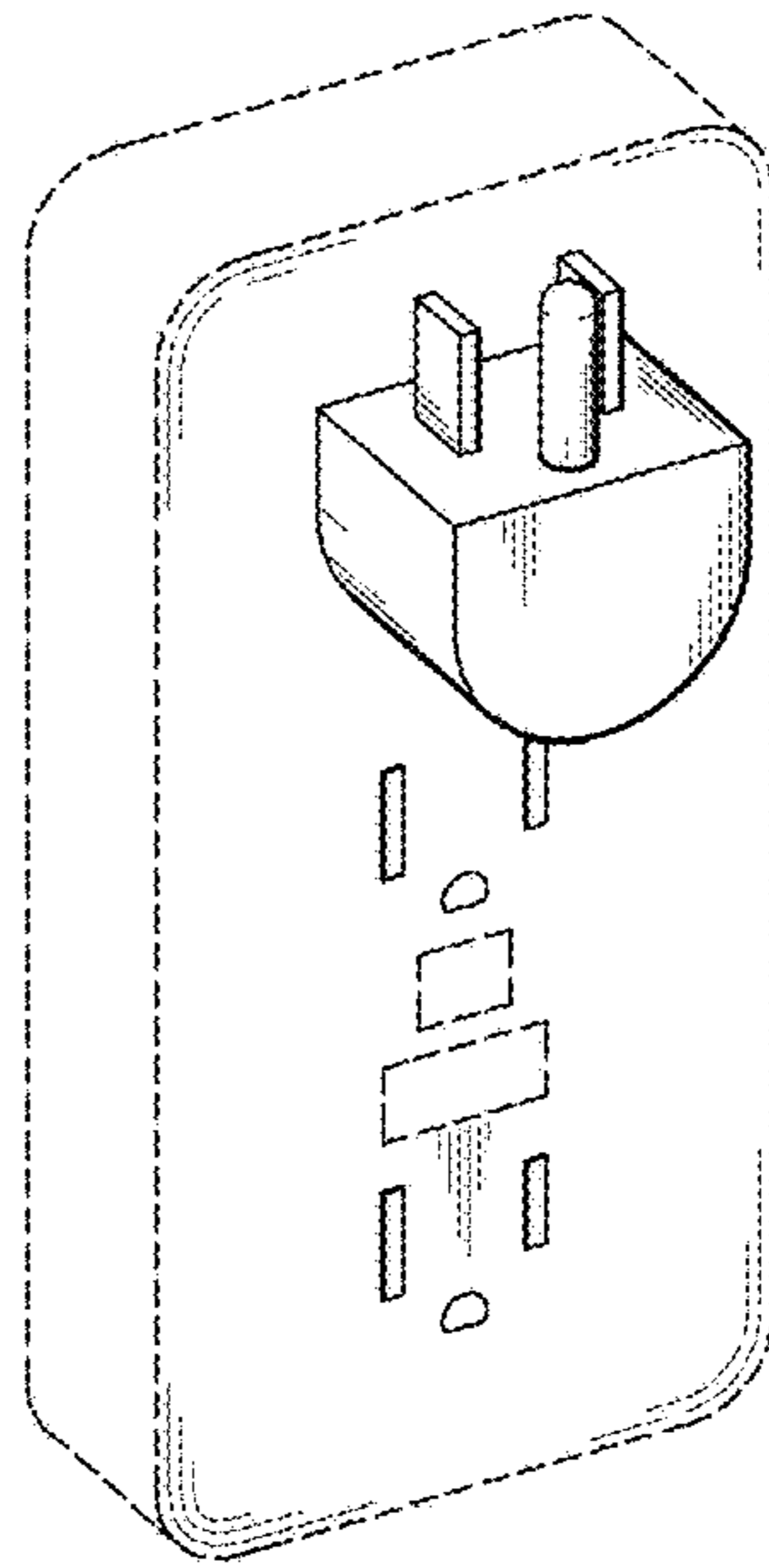
“USB wall Outlet with 15A 120V Two USB port 2.1A 3.6A 4.8A Charger outlets”, first available Apr. 14, 2022. Alibaba.com [https://www.alibaba.com/product-detail/USB-wall-Outlet-with-15A-120V\_1600078360577.html] (Year: 2022).\*

“Outlet Extender Shelf, Aicode Surge Protector, USB-C Wall Outlet Extender, 6 Outlet Wall Plug Splitter with 3 USB Charger, Multi Outlet Wall Charger, Shelf with Nightlight for Home/Dorm, White”, first available May 10, 2021. Amazon.com [https://www.amazon.com/dp/B092D6VXC2] (Year: 2021).\*

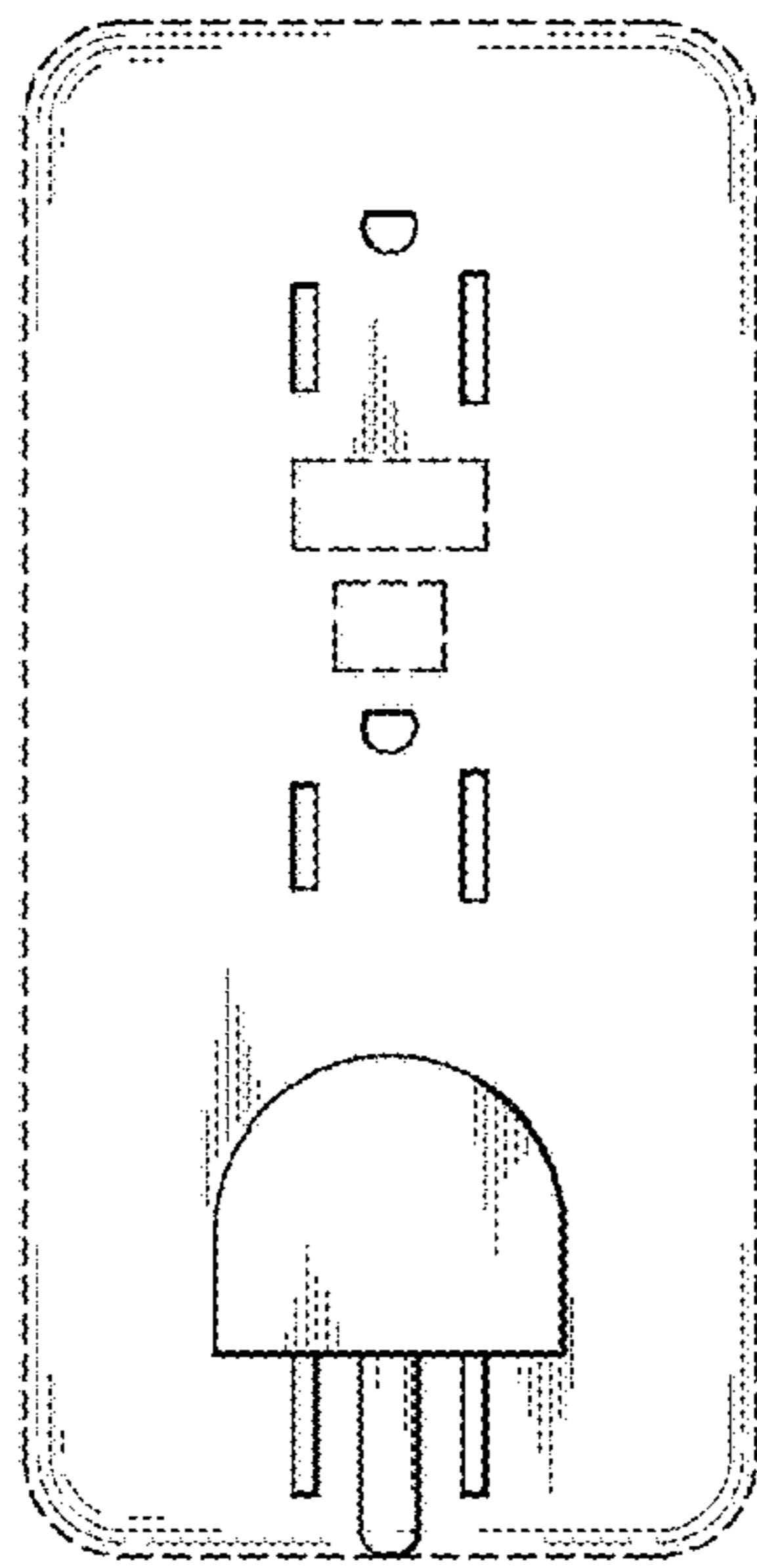
\* cited by examiner



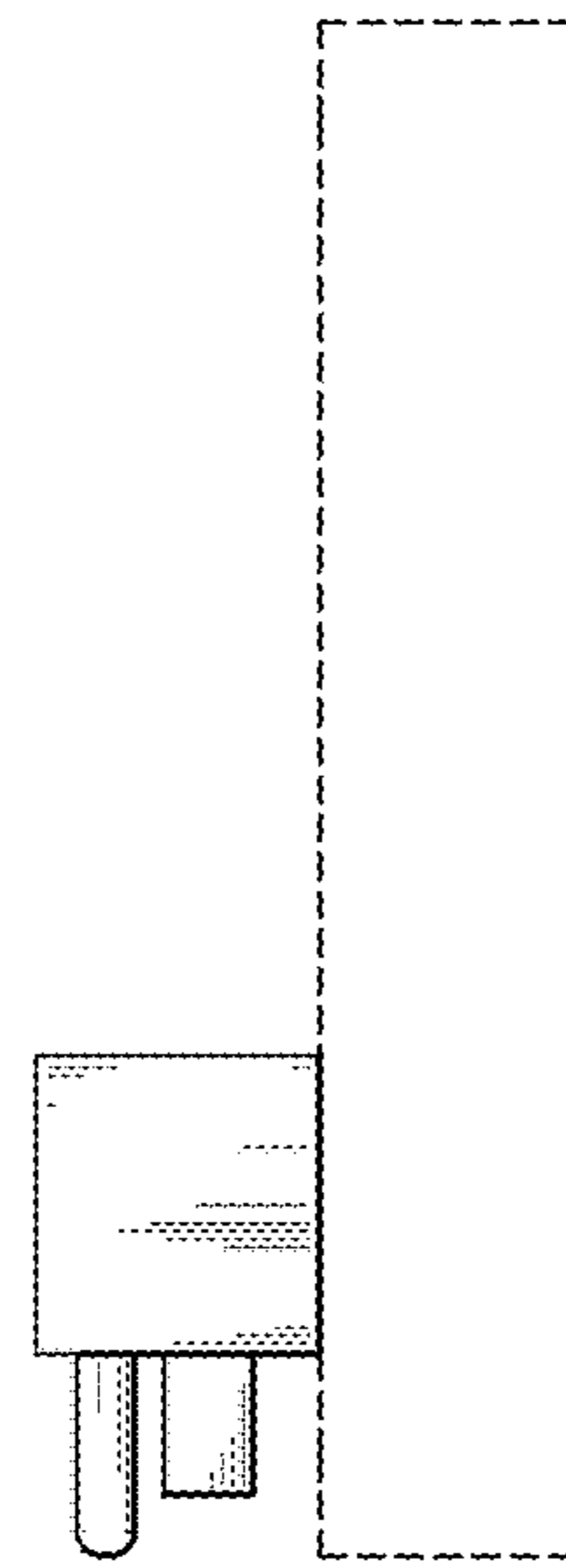
**FIG. 1**



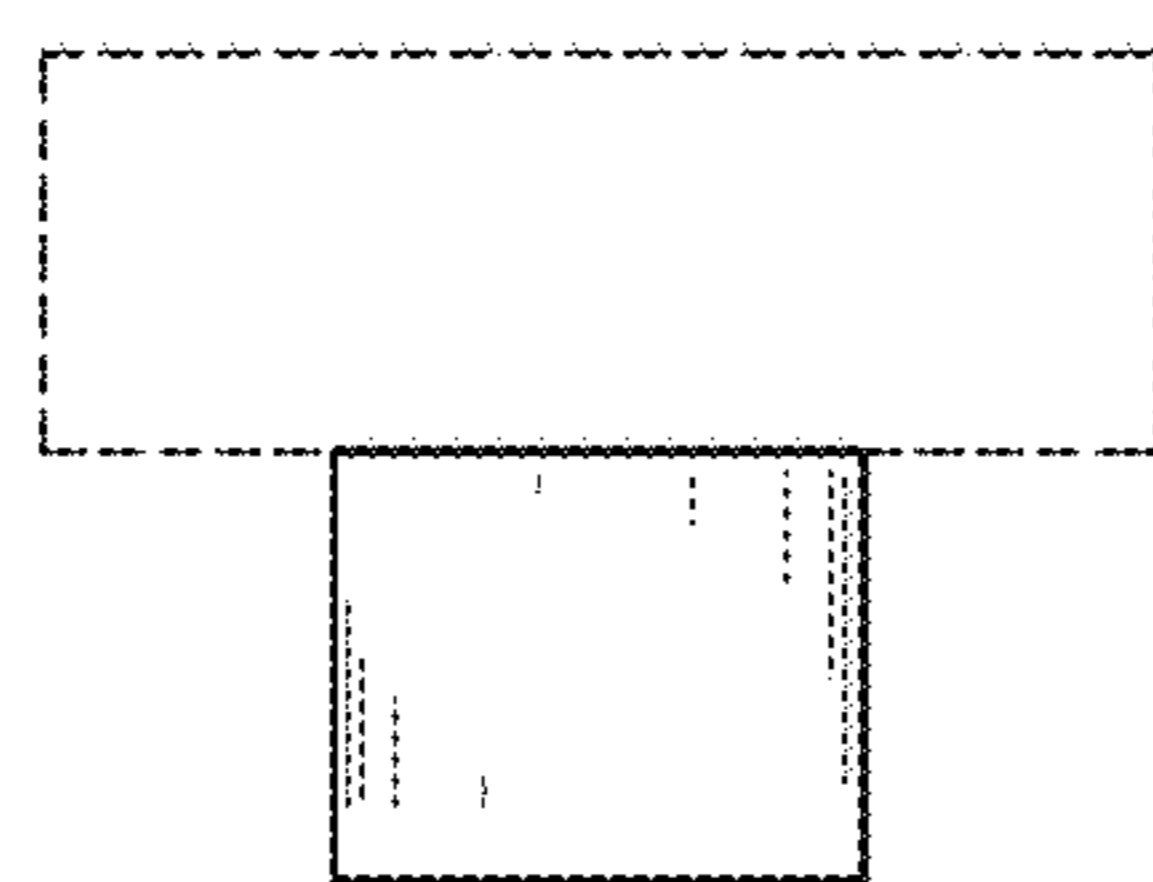
**FIG. 2**



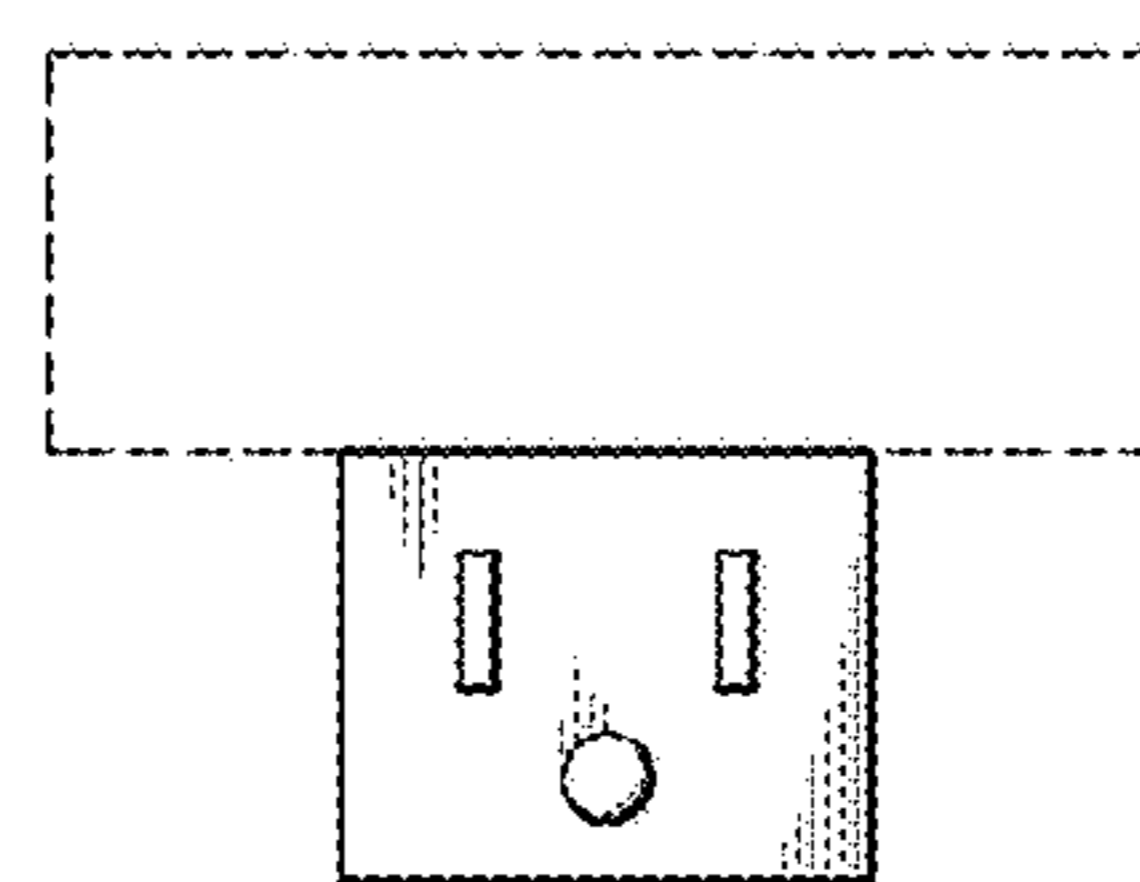
**FIG. 3**



**FIG. 4**



**FIG. 5**



**FIG. 6**