



US00D963579S

(12) **United States Design Patent**
Levy et al.

(10) **Patent No.:** **US D963,579 S**

(45) **Date of Patent:** **** Sep. 13, 2022**

(54) **CONNECTOR FOR SENSOR**

(71) Applicant: **Cheetah Medical, Inc.**, Wilmington, DE (US)

(72) Inventors: **Baruch Levy**, Lehavim (IL); **Yochay Kaplan**, RaAnana (IL); **Eliezer Schusman**, RaAnana (IL); **Mordechai Dinour**, Karney Shomron (IL)

(73) Assignees: **Baxter International Inc.**, Deerfield, IL (US); **BAXTER HEALTHCARE SA**, Glattpark (CH)

(**) Term: **15 Years**

(21) Appl. No.: **29/696,728**

(22) Filed: **Jul. 1, 2019**

(51) **LOC (13) Cl.** **13-03**

(52) **U.S. Cl.**
USPC **D13/133**

(58) **Field of Classification Search**
USPC D13/123, 133, 146, 147, 149, 154, 173, D13/184, 199
CPC H01R 13/02; H01R 13/15; H01R 13/20; H01R 13/6271; H01R 13/6583; H01R 9/22; H01R 9/24; H01R 9/2408; H01R 9/2691; H01R 9/28; H01R 4/18
See application file for complete search history.

(56) **References Cited**

U.S. PATENT DOCUMENTS

D423,455 S * 4/2000 Konno D13/147
D491,529 S * 6/2004 Yang D13/147

D629,751 S * 12/2010 Byrne D13/146
D644,994 S * 9/2011 Amidon D13/147
D668,611 S * 10/2012 Byrne D13/146
D685,732 S * 7/2013 Miller D13/108
D730,833 S * 6/2015 Lewis, Jr. D13/133
9,425,565 B1 * 8/2016 Chien H01R 13/6658
9,570,860 B1 * 2/2017 Chien H01R 13/6582
D825,468 S * 8/2018 Zeng D13/133

FOREIGN PATENT DOCUMENTS

CN 304265482 * 9/2017
IN 325201-001-0001 * 6/2020
KR 301010178.0000 * 6/2019

* cited by examiner

Primary Examiner — Rosemary K Tarcza

Assistant Examiner — Seth David Kumpf

(74) *Attorney, Agent, or Firm* — K&L Gates LLP

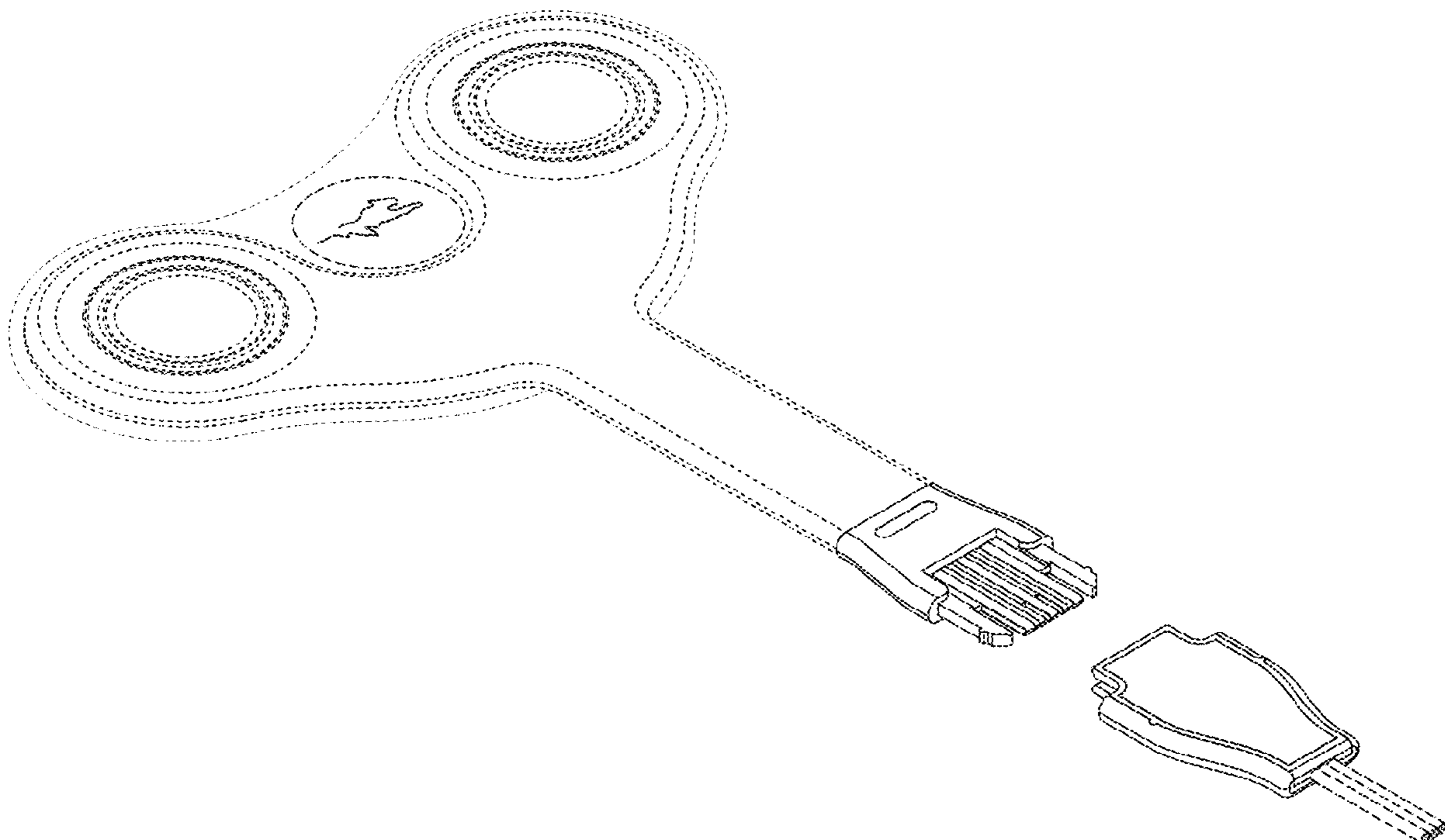
(57) **CLAIM**

The ornamental design for a connector for sensor, as shown and described.

DESCRIPTION

FIG. 1 is a front view, showing our new design in an open position;
FIG. 2 is a rear view thereof;
FIG. 3 is a bottom view thereof;
FIG. 4 is a side view thereof;
FIG. 5 is a perspective view thereof; and,
FIG. 6 is a perspective view in a closed position thereof.
The broken lines shown in the drawings are for the purpose of illustrating environmental structure that forms no part of the claimed design.

1 Claim, 6 Drawing Sheets



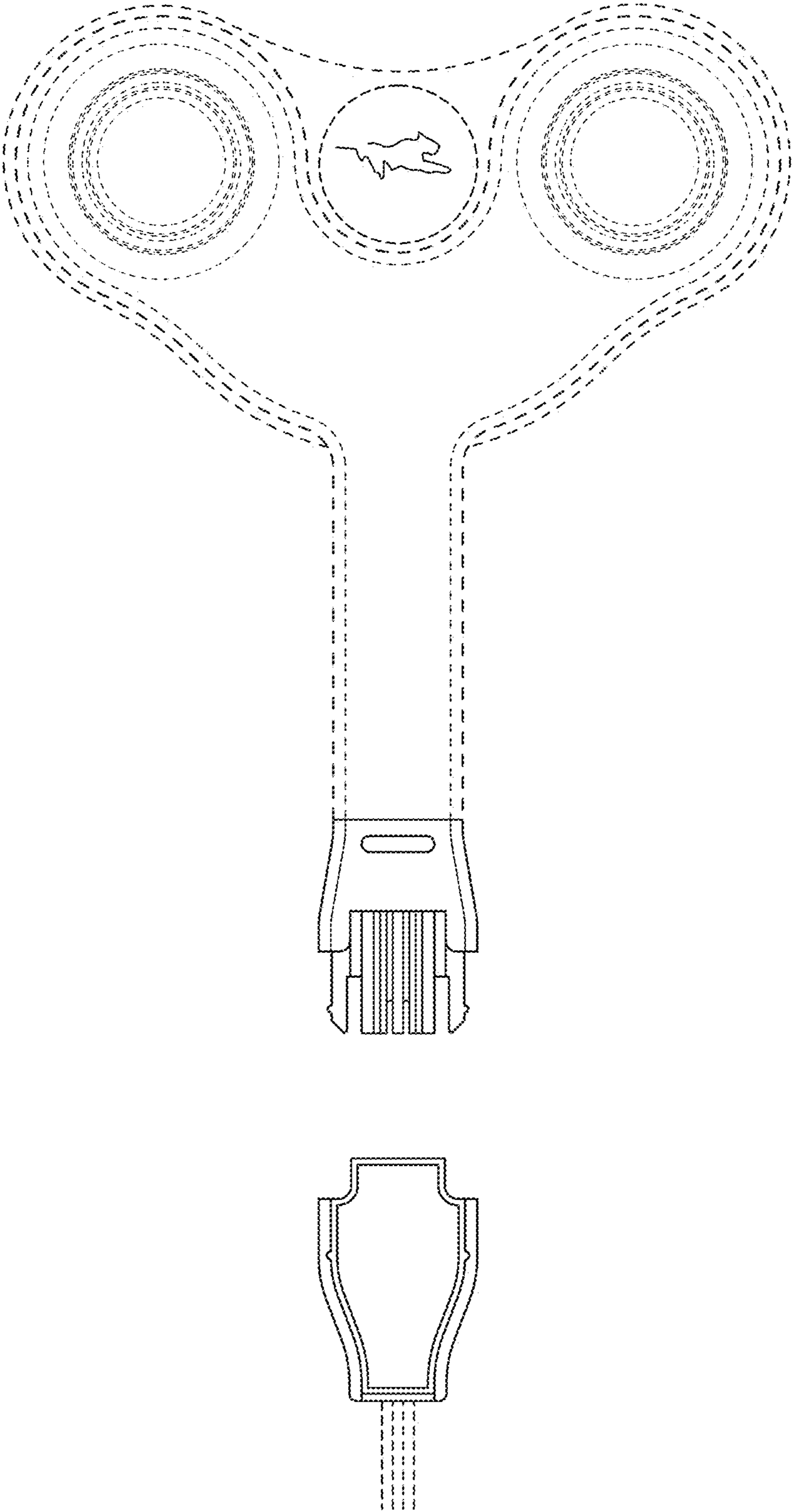


FIG. 1

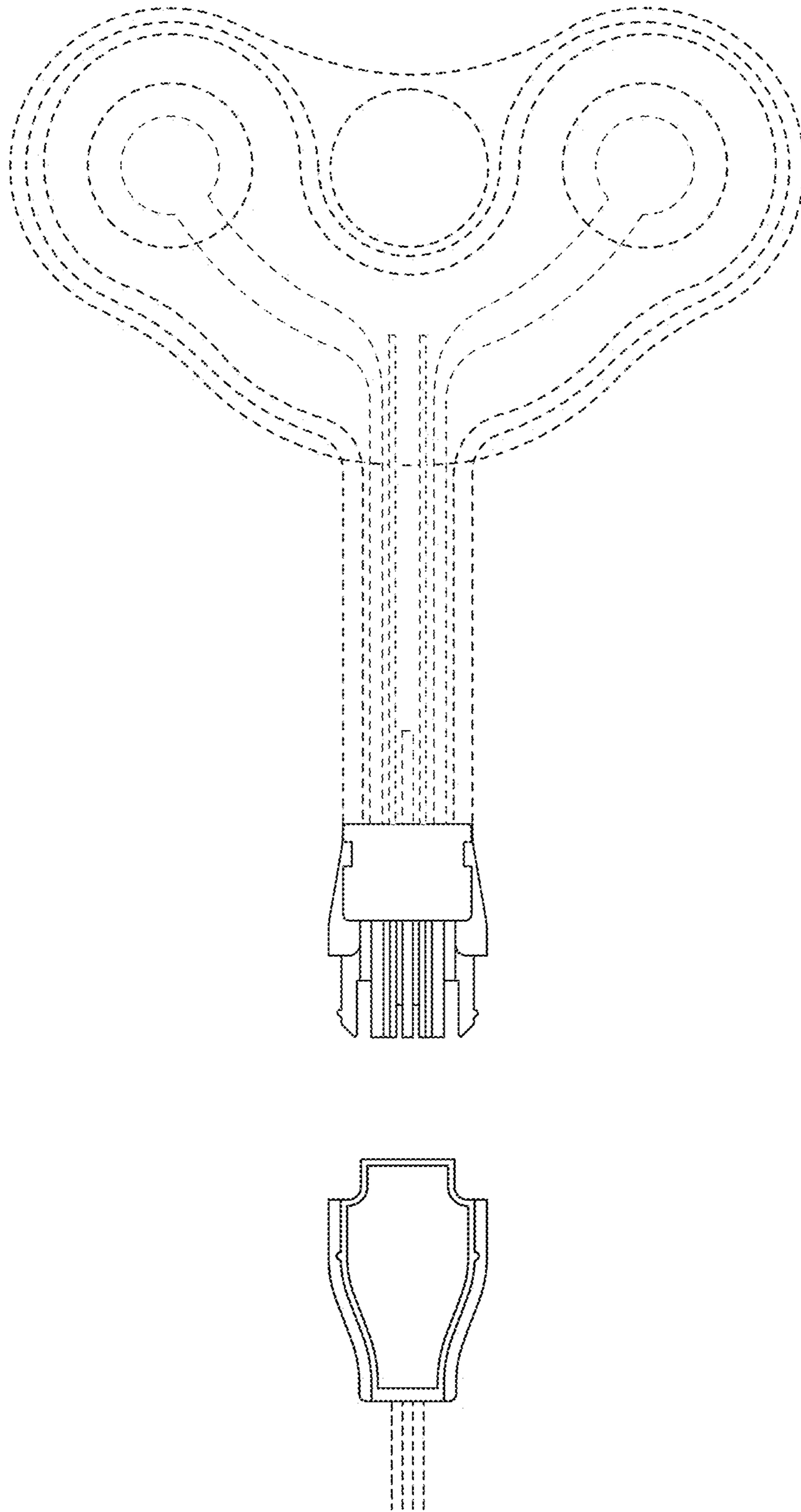


FIG. 2



FIG. 3

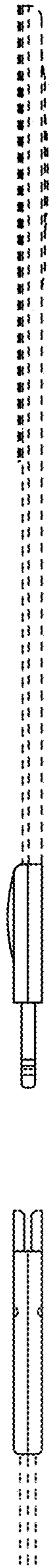


FIG. 4

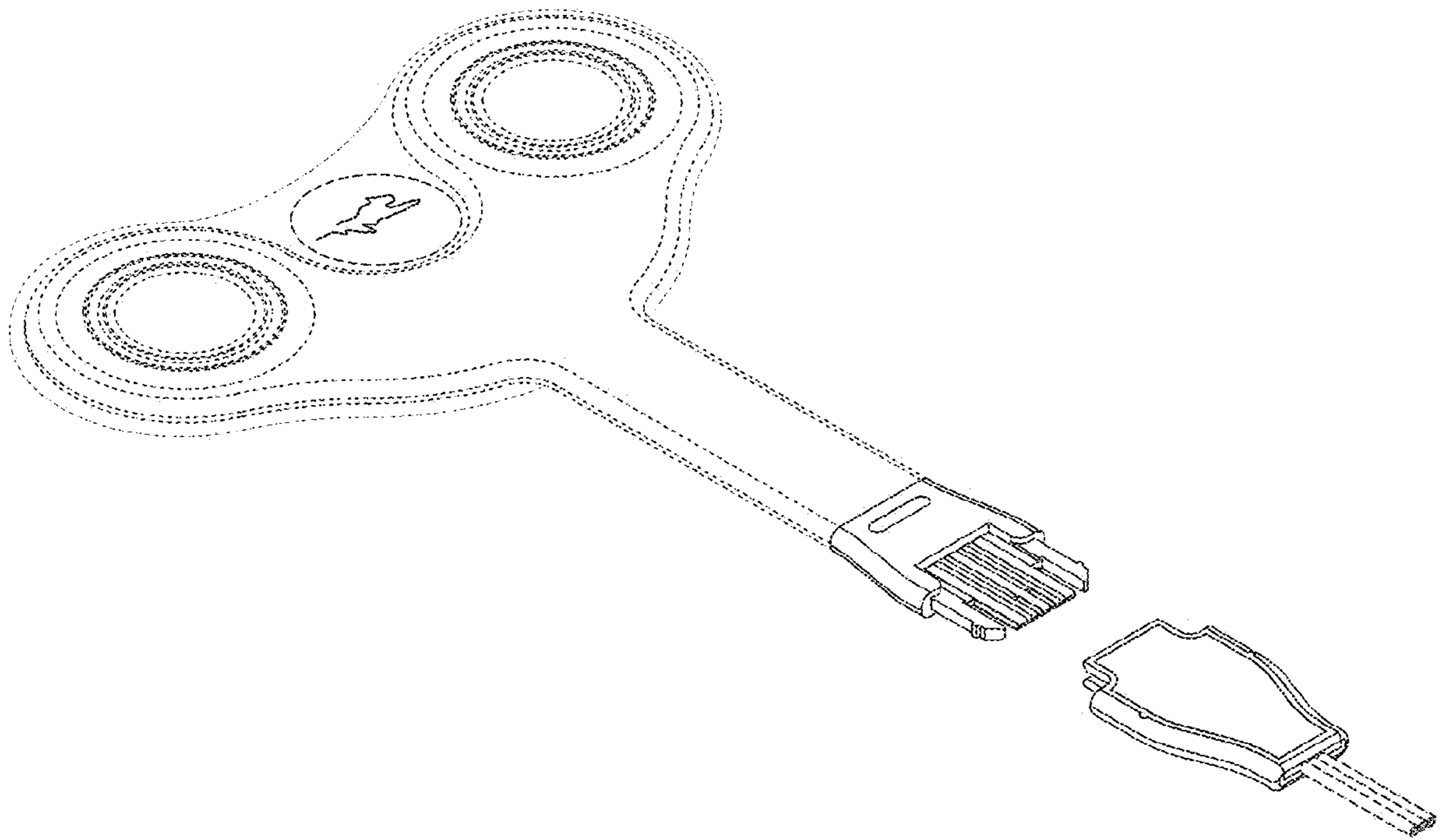


FIG. 5

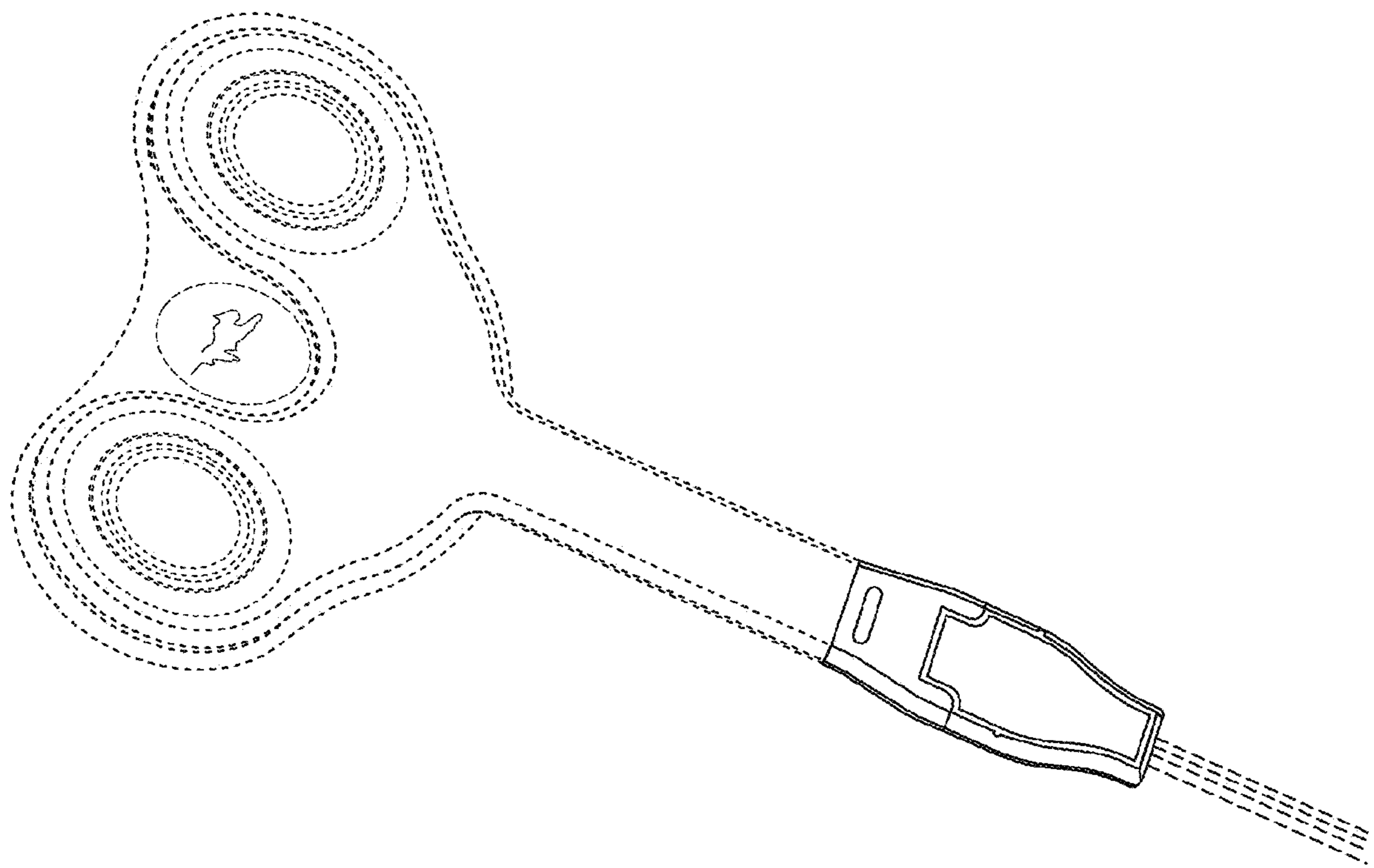


FIG. 6