



US00D963578S

(12) **United States Design Patent**
Luo et al.

(10) **Patent No.:** **US D963,578 S**

(45) **Date of Patent:** **** *Sep. 13, 2022**

(54) **GENERATOR MOTOR RECOIL COVER**

(71) Applicants: **Changguo Luo**, Zhejiang (CN);
Yongjung Cai, Zhejiang (CN)

(72) Inventors: **Changguo Luo**, Zhejiang (CN);
Yongjung Cai, Zhejiang (CN)

(*) Notice: This patent is subject to a terminal disclaimer.

(**) Term: **15 Years**

(21) Appl. No.: **29/615,195**

(22) Filed: **Aug. 27, 2017**

(51) **LOC (13) Cl.** **13-01**

(52) **U.S. Cl.**
USPC **D13/122**

(58) **Field of Classification Search**

USPC D13/101, 112, 113, 114, 116, 118, 122,
D13/184, 199; D15/1, 5, 199; D23/411
CPC F02N 15/026; F02N 15/10; F02N 5/04;
F02N 3/02; H02M 7/34; H02M 7/36;
H02M 7/38; F02B 3/02; F02B 77/11
See application file for complete search history.

(56) **References Cited**

U.S. PATENT DOCUMENTS

D268,022 S * 2/1983 Lenz D13/122
D309,458 S * 7/1990 Johnson D15/1

D384,033 S * 9/1997 Takeda D13/114
5,862,787 A * 1/1999 Unuma F02N 3/02
123/185.3
D417,675 S * 12/1999 Yaguchi D15/5
D478,311 S * 8/2003 Yaguchi D13/114
D587,650 S * 3/2009 Lannoch D13/122
D619,620 S * 7/2010 Mayer D15/5
D714,217 S * 9/2014 Tanaka D13/122
D749,511 S * 2/2016 Jenison D13/116

* cited by examiner

Primary Examiner — Derrick E Holland

(74) *Attorney, Agent, or Firm* — Global IP Services;
Tianhua Gu

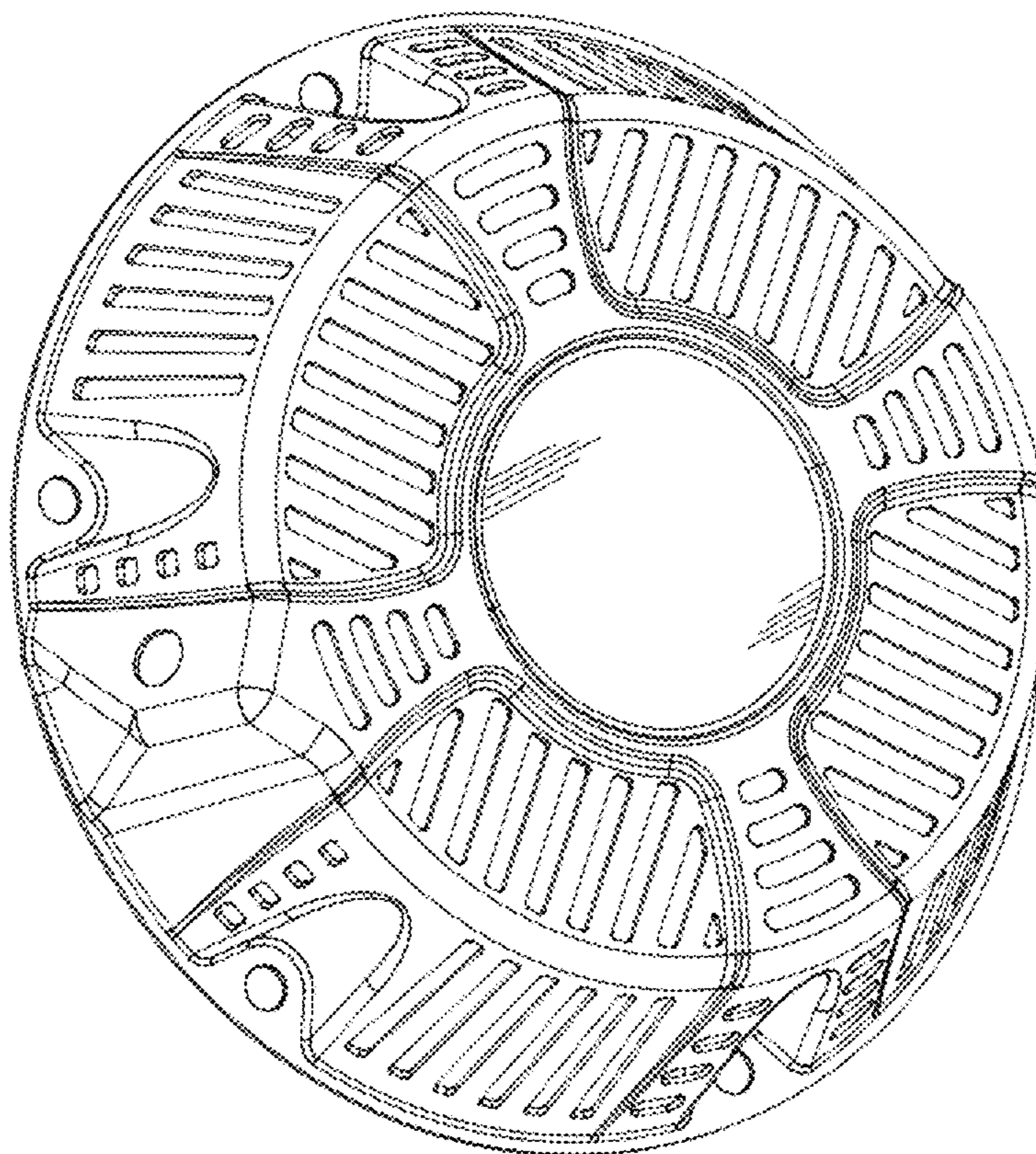
(57) **CLAIM**

The ornamental design for a generator motor recoil cover, as shown as described.

DESCRIPTION

FIG. 1 is a front perspective view of a generator motor recoil cover showing my new design;
FIG. 2 is a rear view of thereof;
FIG. 3 is a left side view of thereof;
FIG. 4 is a right side view of thereof;
FIG. 5 is a top plan view of thereof;
FIG. 6 is a bottom plan view of thereof; and,
FIG. 7 is a perspective view thereof.

1 Claim, 6 Drawing Sheets



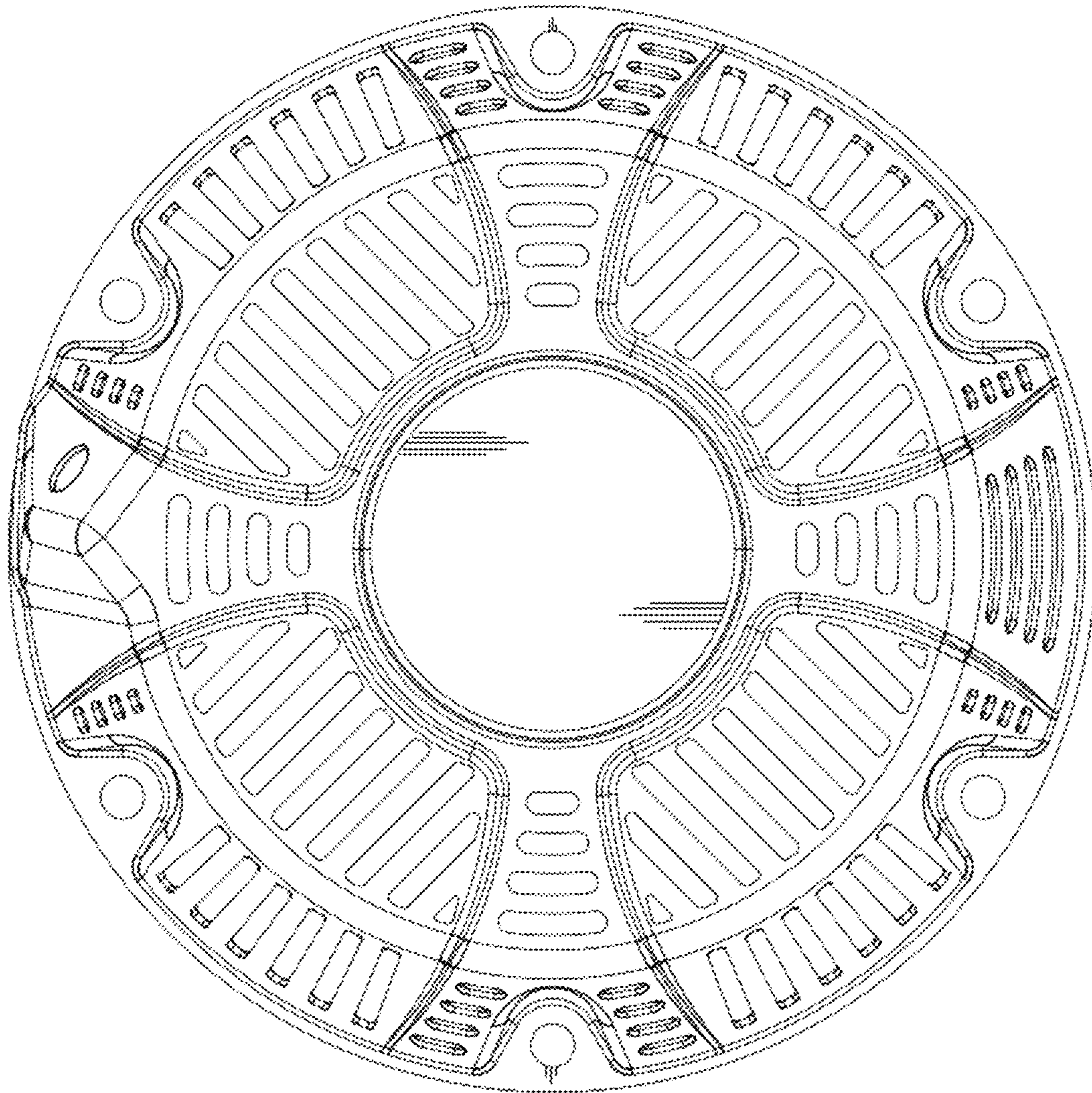


Fig. 1

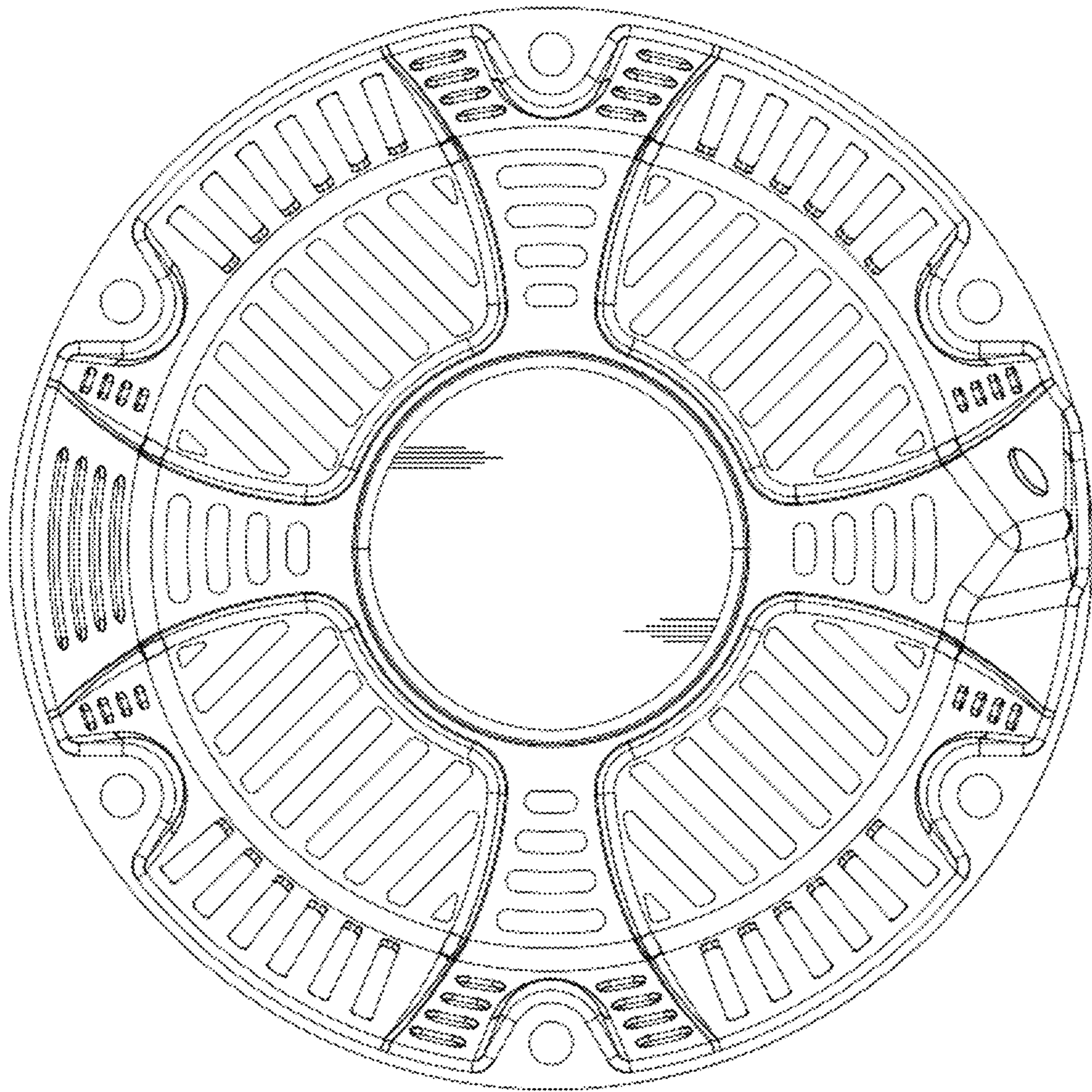


Fig. 2

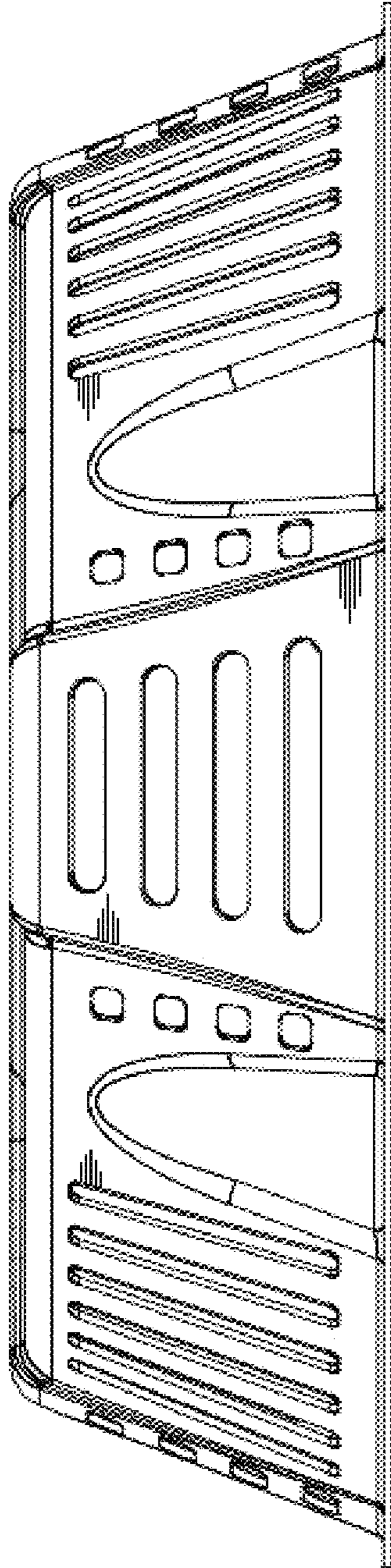


Fig. 3

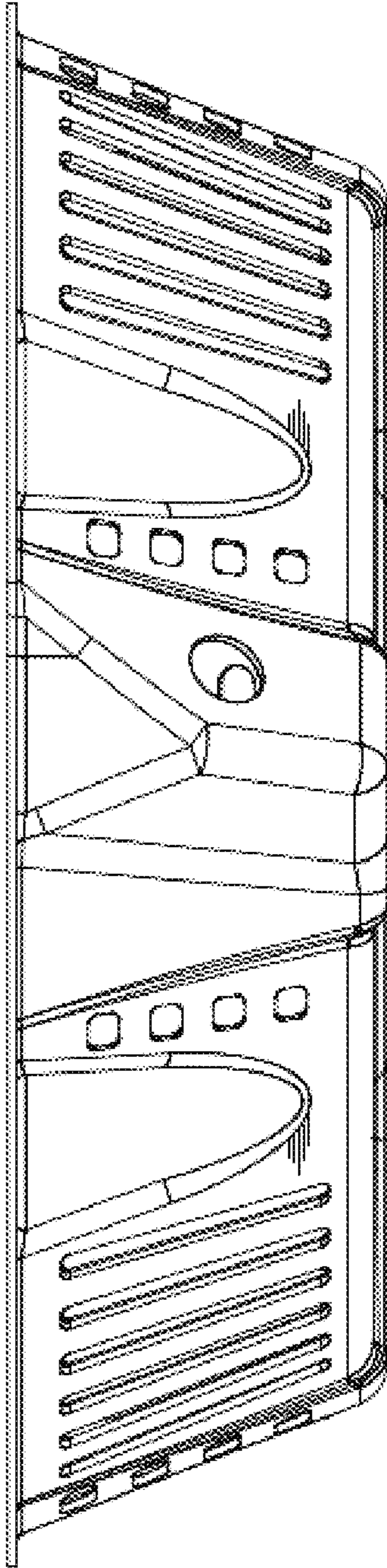


Fig. 4

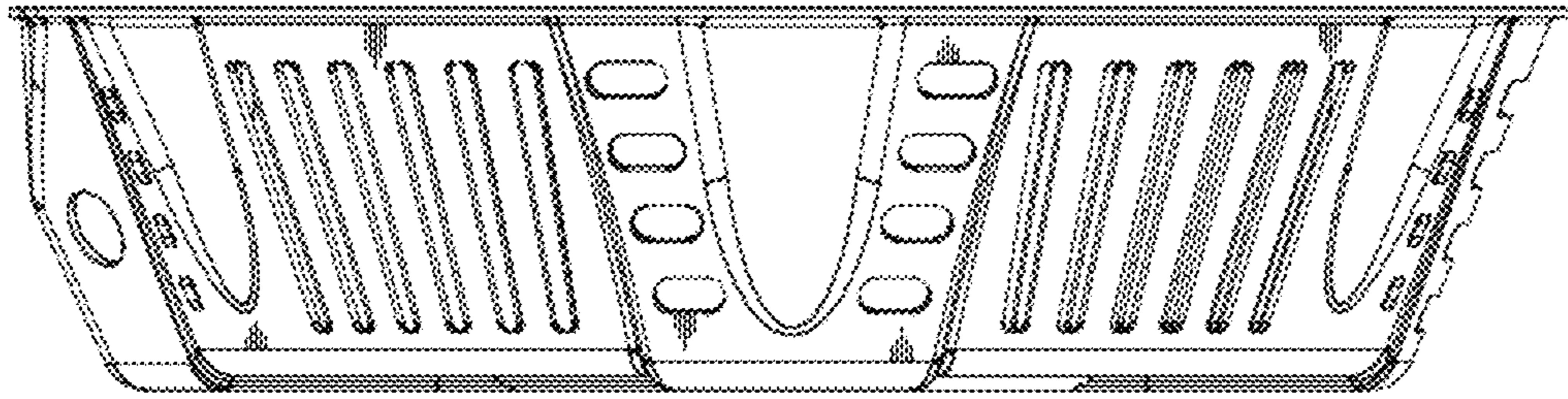


Fig. 5

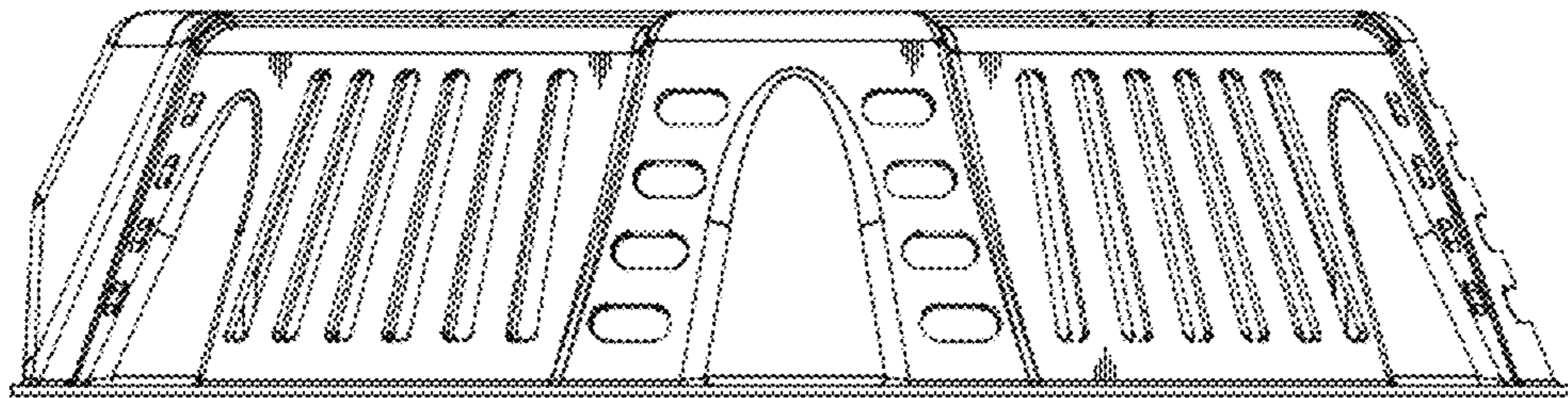


Fig. 6

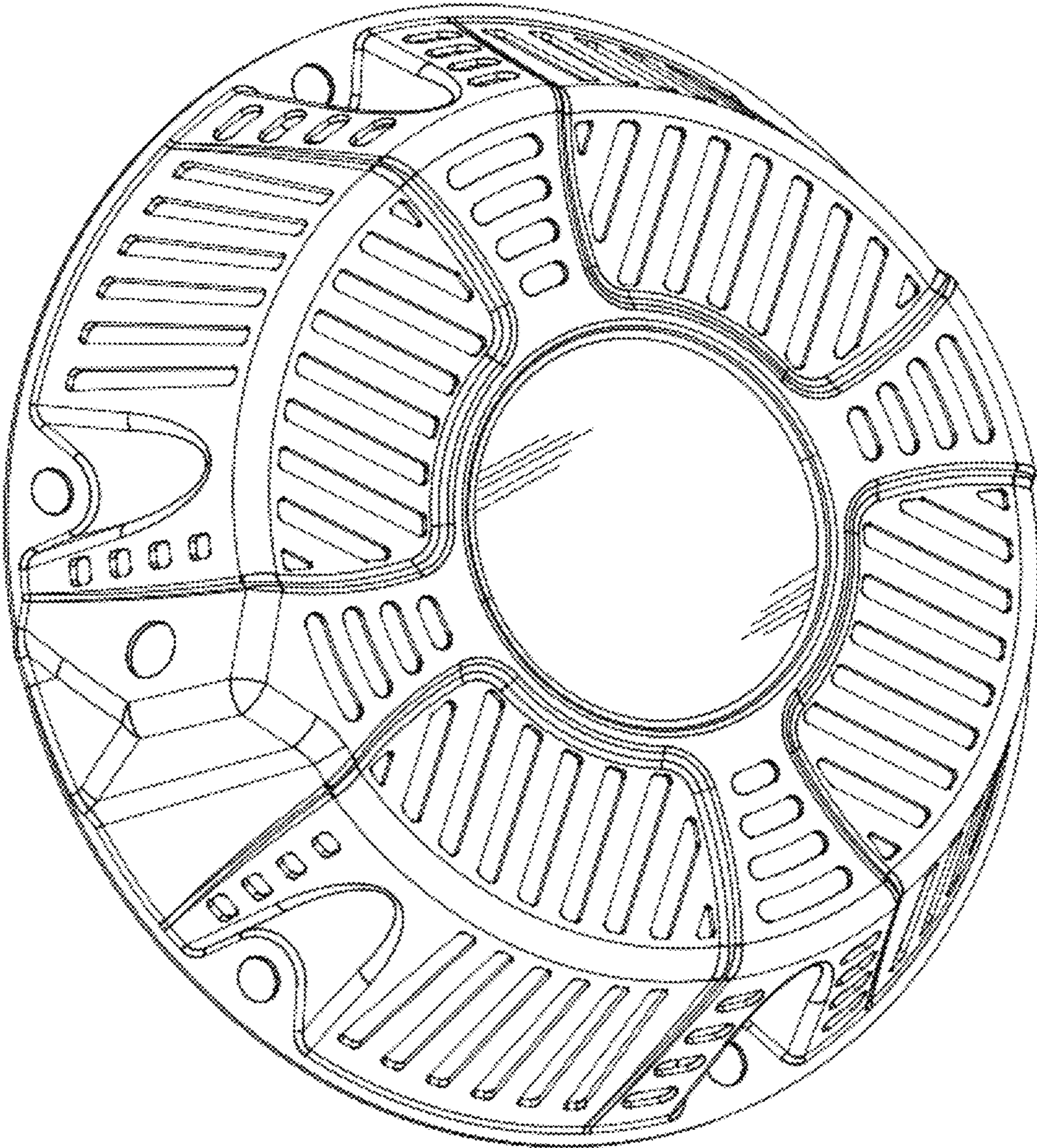


Fig. 7