



US00D963577S

(12) **United States Design Patent** (10) **Patent No.:** **US D963,577 S**  
**Yun** (45) **Date of Patent:** **\*\* Sep. 13, 2022**

(54) **COVER FOR BATTERY MODULE**

(71) Applicant: **LG Chem, Ltd.**, Seoul (KR)

(72) Inventor: **Young Sun Yun**, Daejeon (KR)

(73) Assignee: **LG Energy Solution, Ltd.**

(\*\*) Term: **15 Years**

(21) Appl. No.: **29/744,327**

(22) Filed: **Jul. 28, 2020**

(30) **Foreign Application Priority Data**

Mar. 16, 2020 (KR) ..... 30-2020-0011836

(51) **LOC (13) Cl.** ..... **13-02**

(52) **U.S. Cl.**

USPC ..... **D13/119**; D13/103

(58) **Field of Classification Search**

USPC ..... D13/103, 107, 108, 118, 119, 121, 122,  
D13/173, 177, 184, 199; D14/205, 207,  
D14/217, 223

CPC ..... H05K 5/00; H04R 1/1025; H02J 7/0044  
See application file for complete search history.

(56) **References Cited**

**U.S. PATENT DOCUMENTS**

D264,961 S *	6/1982	Oxenreider	429/185
D277,747 S *	2/1985	Toth	D13/103
4,652,969 A *	3/1987	Stegenga	H05K 5/00 361/801
D448,340 S *	9/2001	Hall	D13/119
D556,130 S *	11/2007	Tajima	D13/119
D660,789 S *	5/2012	Mar	D13/103
D686,154 S *	7/2013	Hsu	D13/103
D715,218 S *	10/2014	Tanaka	D13/103
D743,402 S *	11/2015	Ehara	D14/432
D759,591 S *	6/2016	Swett	D13/119

D765,029 S *	8/2016	Buller	D13/119
2009/0263713 A1 *	10/2009	Shi	H01M 50/209 429/177
2011/0244289 A1 *	10/2011	Zhang	H04M 1/0262 429/97

**OTHER PUBLICATIONS**

“Stages Battery Door”. Found online Jan. 27, 2022 at omnico.co.za. Reference dated Oct. 10, 2014. Retrieved from [https://tineye.com/search/e158672190a1b30289d9e378953a7aac48d3bd35?sort=crawl\\_date&order=asc&page=1](https://tineye.com/search/e158672190a1b30289d9e378953a7aac48d3bd35?sort=crawl_date&order=asc&page=1). (Year: 2014).\*

“Flashpoint Replacement Battery Cover”. Found online Jan. 27, 2022 at adorama.com. Reference dated Jan. 22, 2019. Retrieved from <https://www.adorama.com/fplfxp0034.html>. (Year: 2019).\*

“Stages Power Meter”. Found online Jan. 27, 2022 at road.cc. Reference dated Oct. 15, 2015. Retrieved from <https://road.cc/content/review/98411-stages-power-meter>. (Year: 2015).\*

\* cited by examiner

*Primary Examiner* — Kendra Leslie Hamilton

*Assistant Examiner* — Amanda Christensen

(74) *Attorney, Agent, or Firm* — Lerner, David, Littenberg, Krumholz & Mentlik, LLP

(57) **CLAIM**

The ornamental design for a cover for battery module, as shown and described.

**DESCRIPTION**

FIG. 1 is a top, front, right side perspective view of a cover for battery module according to my design;

FIG. 2 is a front view thereof;

FIG. 3 is a rear view thereof;

FIG. 4 is a left side view thereof;

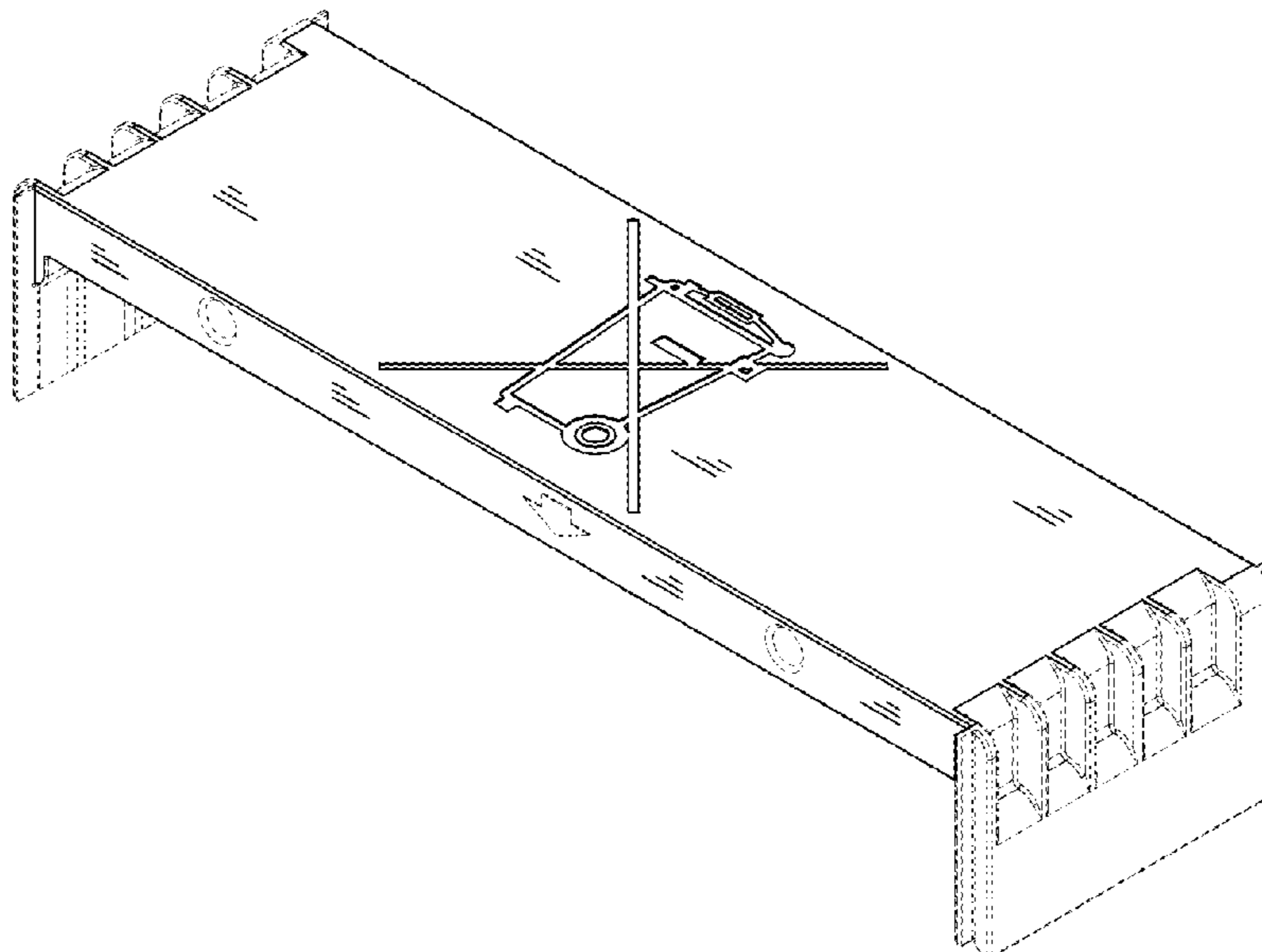
FIG. 5 is a right side view thereof;

FIG. 6 is a top view thereof; and,

FIG. 7 is a bottom view thereof.

The broken lines depict portions of the cover for battery module that form no part of the claimed design.

**1 Claim, 7 Drawing Sheets**



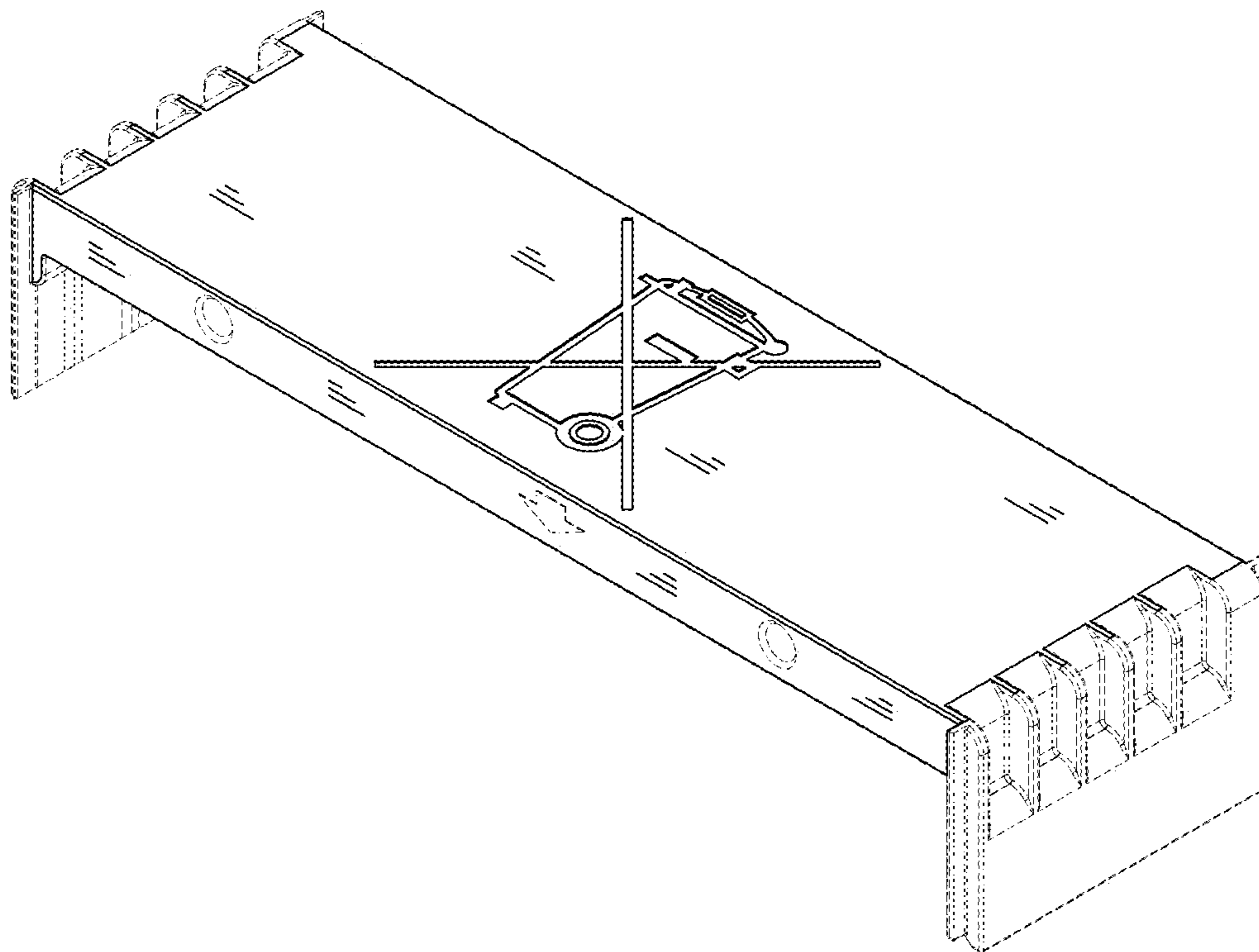


FIG. 1

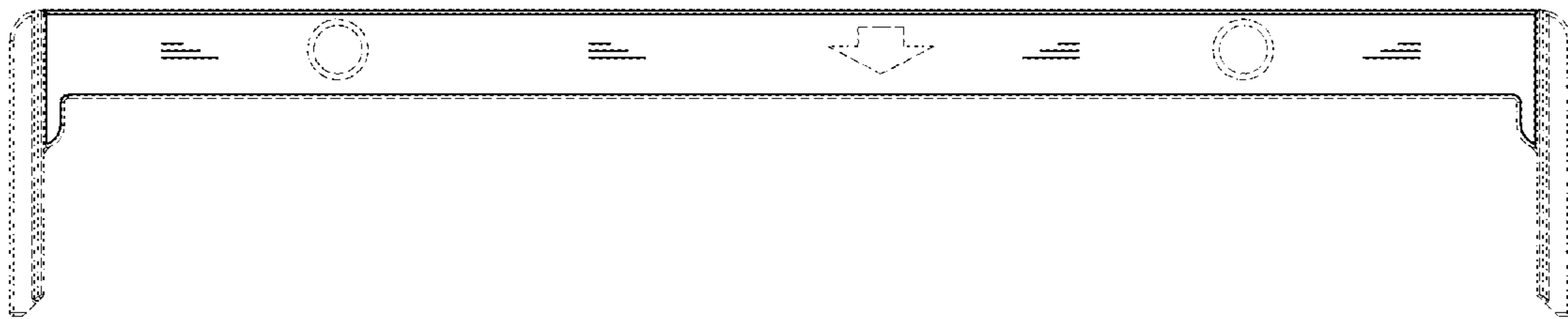


FIG. 2

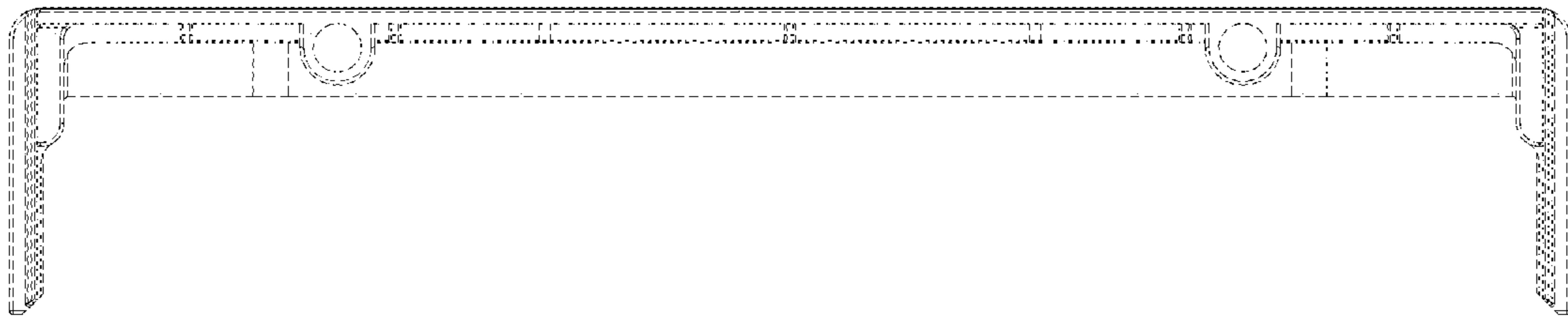


FIG. 3

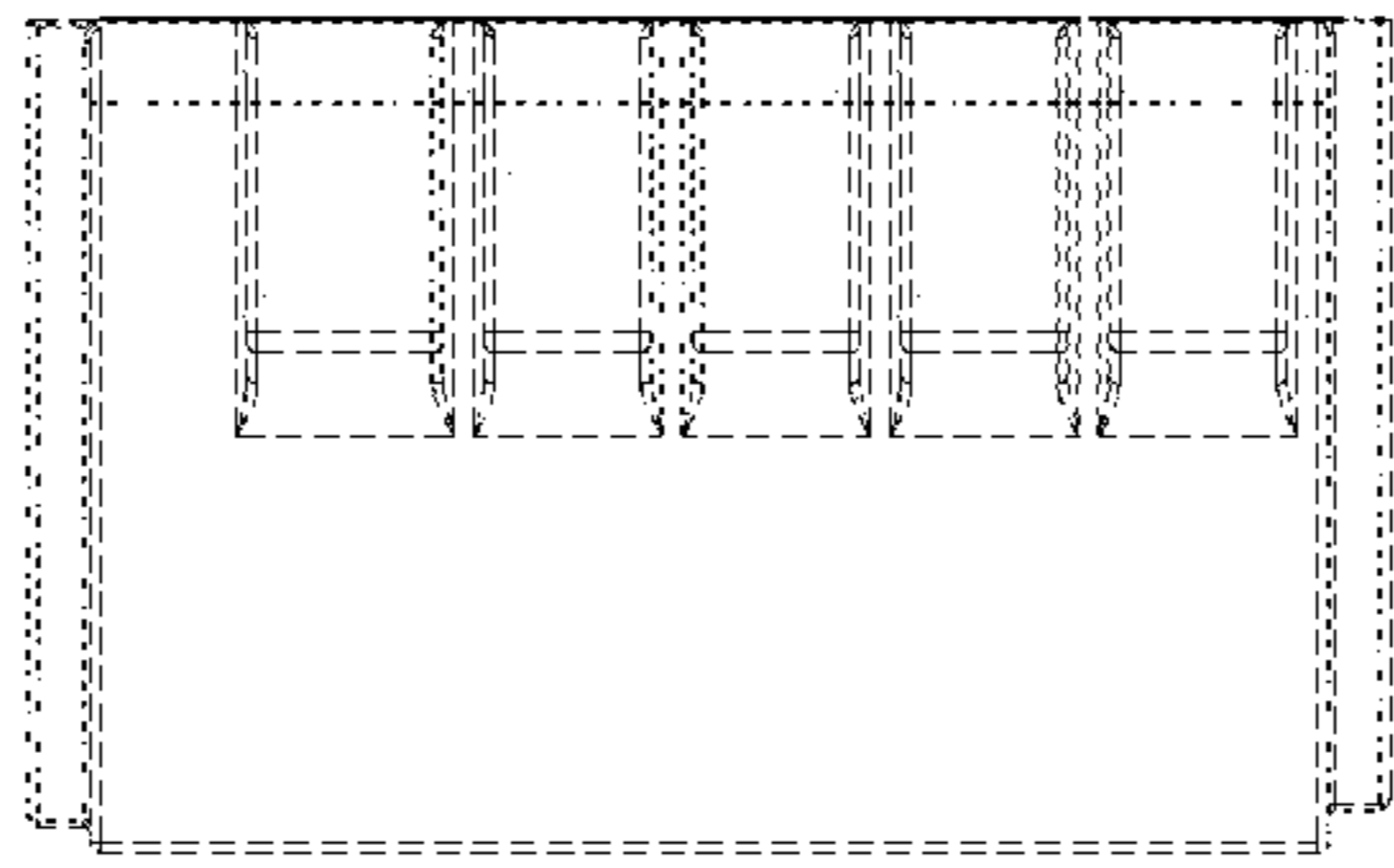


FIG. 4

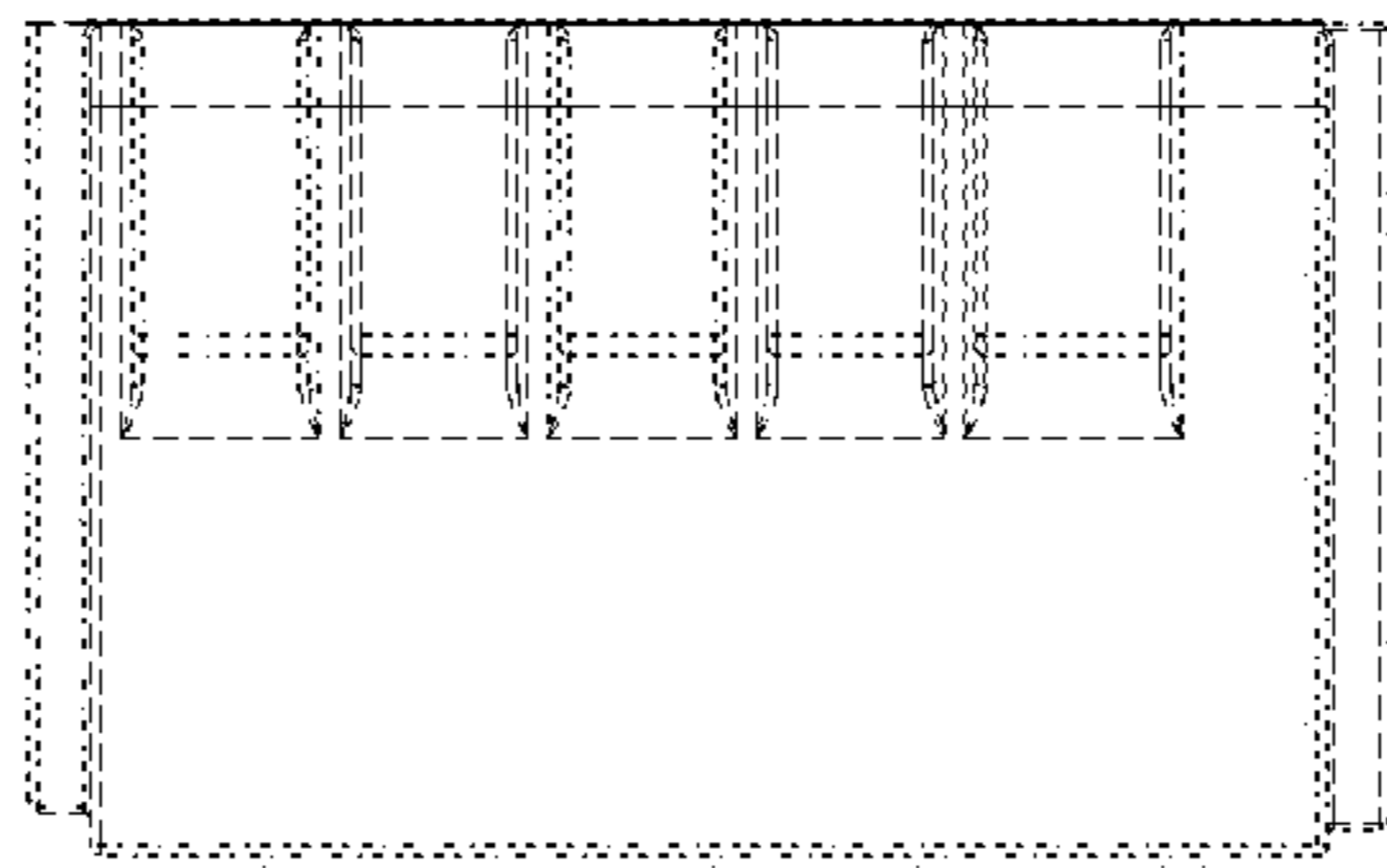


FIG. 5

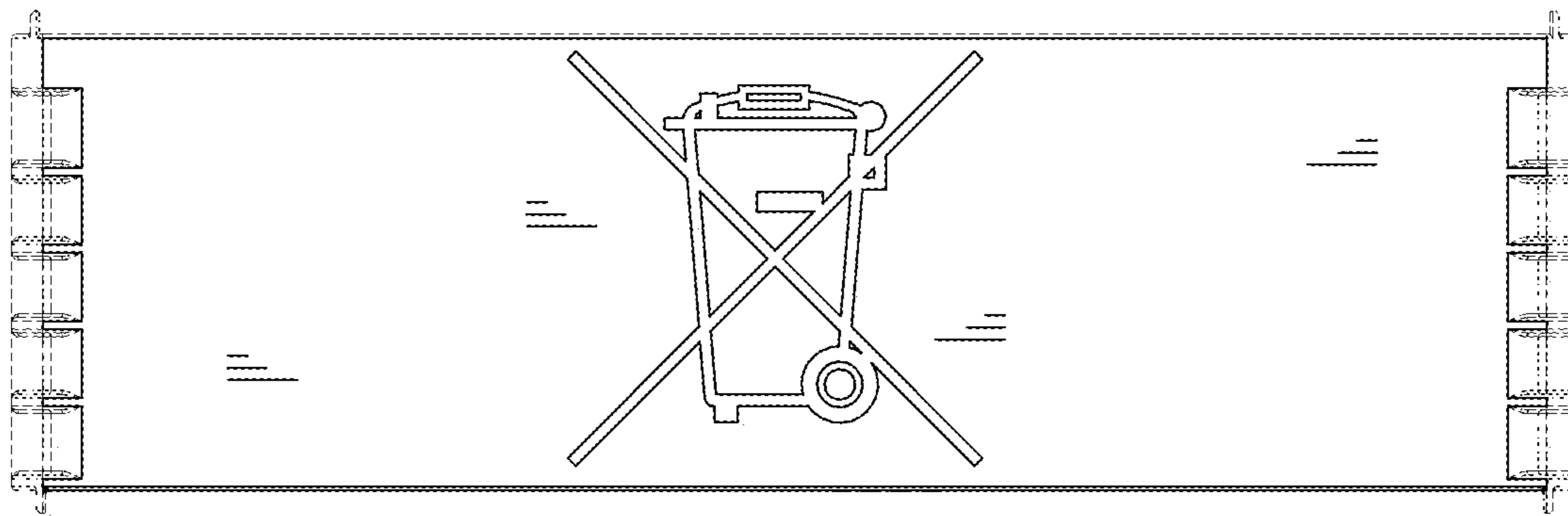


FIG. 6

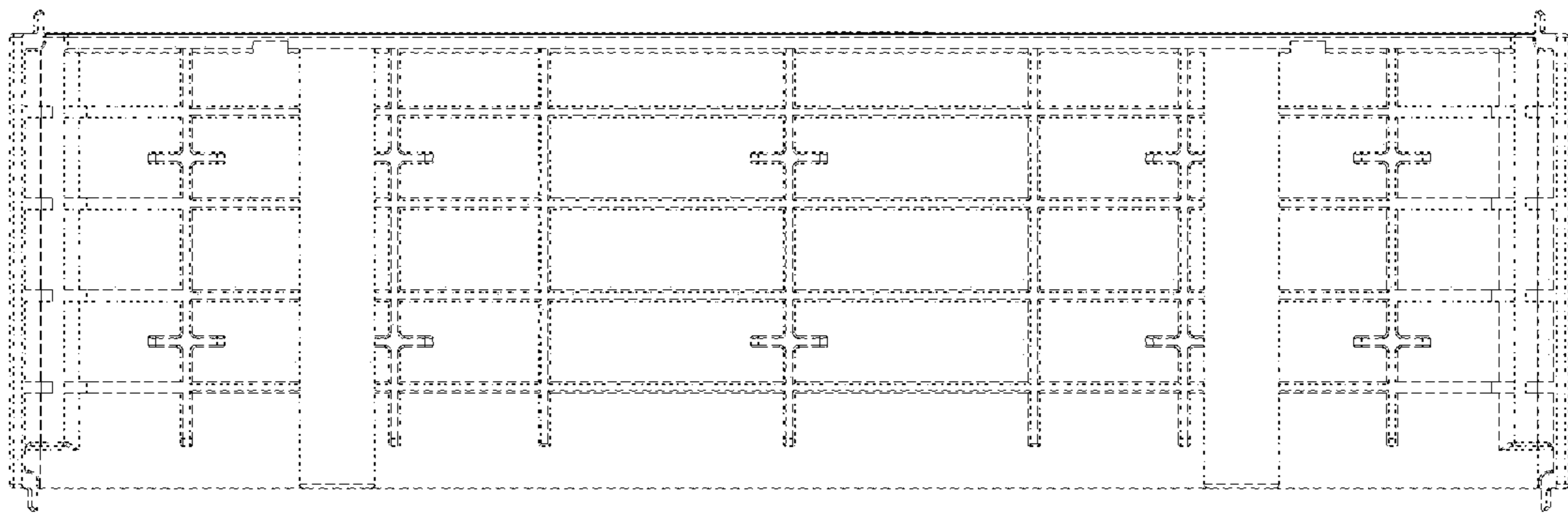


FIG. 7