



US00D963574S

(12) **United States Design Patent**
Nishioka et al.

(10) **Patent No.:** **US D963,574 S**
(45) **Date of Patent:** **** Sep. 13, 2022**

(54) **POWER SUPPLY**

(71) Applicant: **Fukushima SiC Applied Engineering Inc.**, Fukushima (JP)

(72) Inventors: **Kei Nishioka**, Fukushima (JP); **Toshio Hanada**, Fukushima (JP); **Yoshimi Nishimura**, Fukushima (JP); **Takashi Nakamura**, Fukushima (JP)

(73) Assignee: **Fukushima SiC Applied Engineering Inc.**, Fukushima (JP)

(**) Term: **15 Years**

(21) Appl. No.: **29/731,070**

(22) Filed: **Apr. 10, 2020**

(51) **LOC (13) Cl.** **13-02**

(52) **U.S. Cl.**
USPC **D13/110**

(58) **Field of Classification Search**

USPC D13/110, 101, 107, 118, 121, 123, 125, D13/133, 162, 182, 199
CPC . H01L 23/62; H01L 23/3675; H01L 23/3677; H01L 23/473; H01L 23/4334; H01L 24/34; H01L 25/18; H01L 2924/00; H01L 2924/181; H01L 2924/13091; H01L 2924/13055; H02K 7/1432

See application file for complete search history.

(56) **References Cited**

U.S. PATENT DOCUMENTS

D483,329 S *	12/2003	Kuo	D13/110
6,952,347 B2 *	10/2005	Baemel	H01L 23/3677
				257/722
D550,617 S *	9/2007	Wang	D13/101
D598,846 S *	8/2009	Satoh	D13/110
D651,565 S *	1/2012	Yura	D13/110
D769,189 S *	10/2016	Shimura	D13/110

* cited by examiner

Primary Examiner — Derrick E Holland

(74) *Attorney, Agent, or Firm* — Stuebaker & Brackett PC

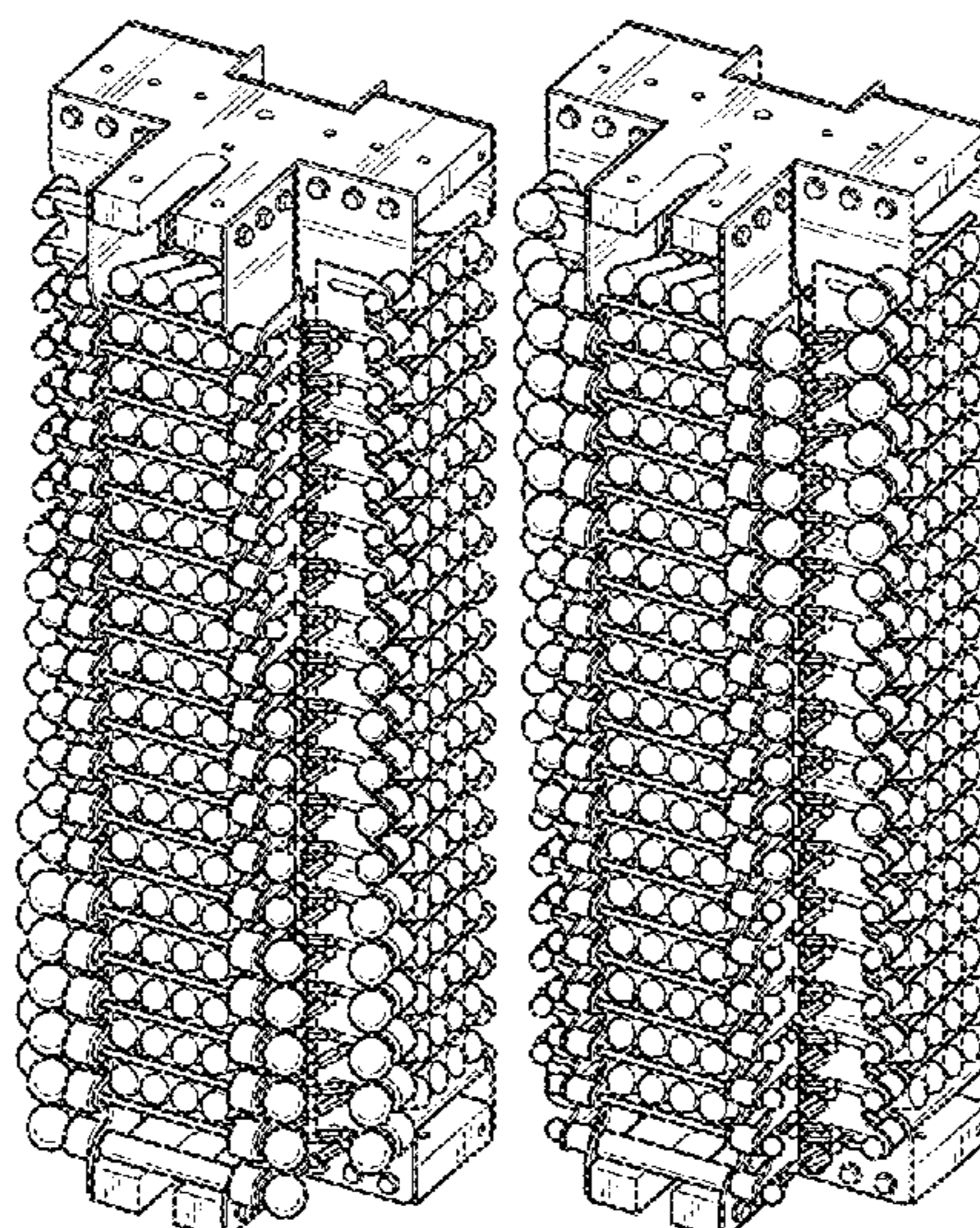
(57) **CLAIM**

The ornamental design for a power supply, as shown and described.

DESCRIPTION

FIG. 1 is front, top, and right side perspective view of a first embodiment of a power supply showing our new design;
 FIG. 2 is a front view thereof;
 FIG. 3 is a back view thereof;
 FIG. 4 is a right view thereof;
 FIG. 5 is a top view thereof;
 FIG. 6 is a bottom view thereof;
 FIG. 7 is a cross-sectional view taken along line 7-7 in FIG. 5;
 FIG. 8 is a cross-sectional view taken along line 8-8 in FIG. 5;
 FIG. 9 is a cross-sectional view taken along lines 9-9 and 9'-9' in FIG. 5;
 FIG. 10 is front, top, and right side perspective view of a second embodiment of a power supply showing our new design;
 FIG. 11 is a front view thereof;
 FIG. 12 is a back view thereof;
 FIG. 13 is a right view thereof;
 FIG. 14 is a top view thereof;
 FIG. 15 is a bottom view thereof;
 FIG. 16 is a cross-sectional view taken along line 16-16 in FIG. 14;
 FIG. 17 is a cross-sectional view taken along line 17-17 in FIG. 14; and,
 FIG. 18 is a cross-sectional view taken along lines 18-18 and 18'-18' in FIG. 14.
 The broken lines in the drawings illustrate portions of the power supply that form no part of the claimed design.
 The dot-dashed lines define the bounds of the claimed design and form no part thereof.

1 Claim, 10 Drawing Sheets



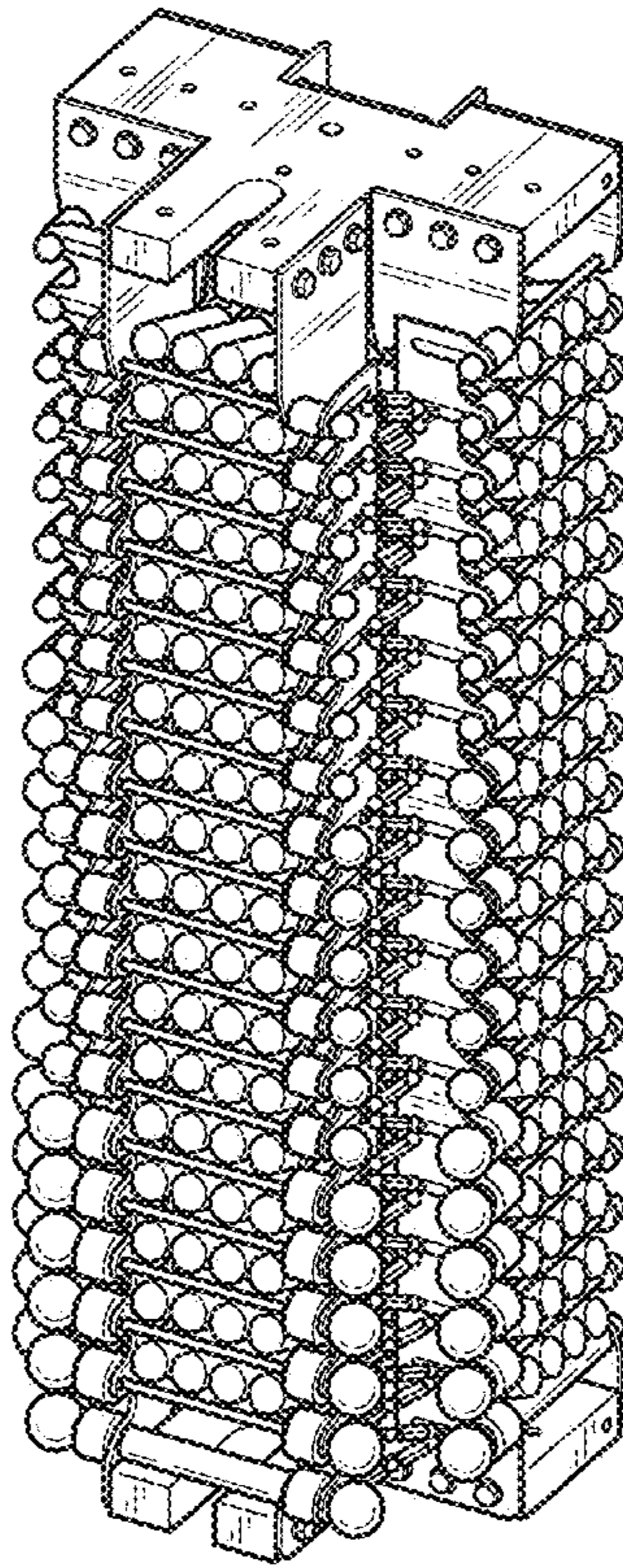


FIG. 1

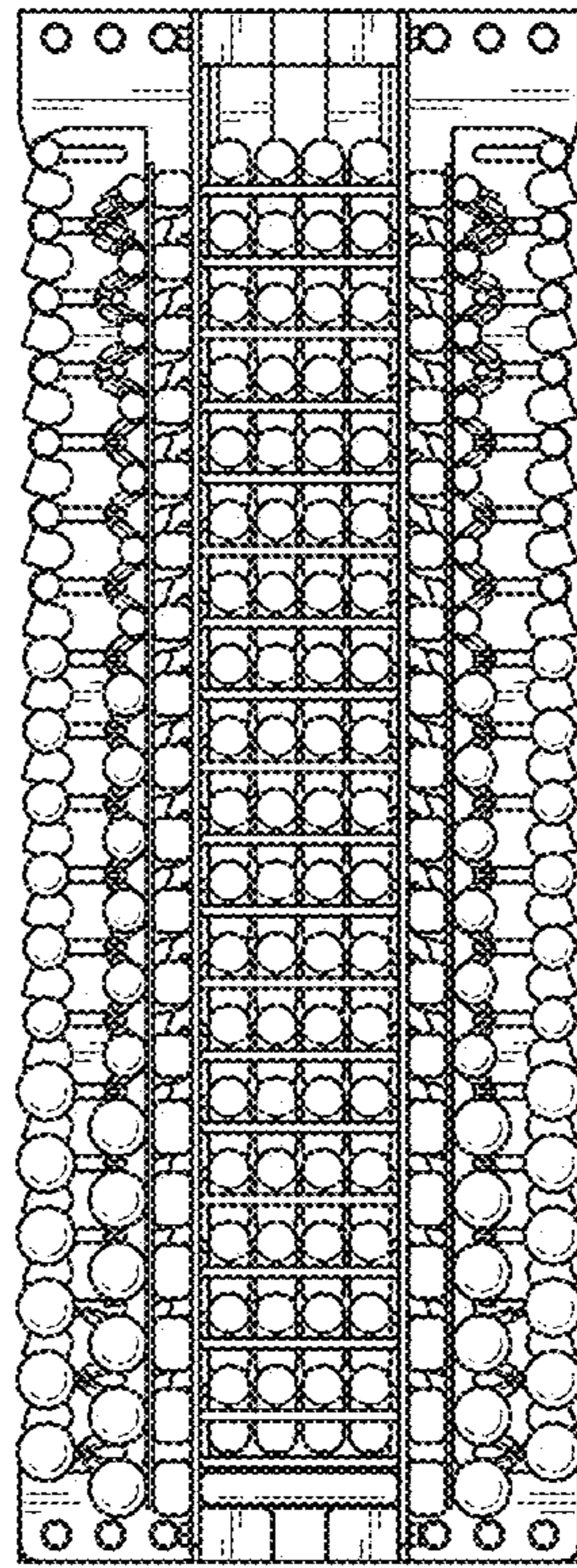


FIG. 2

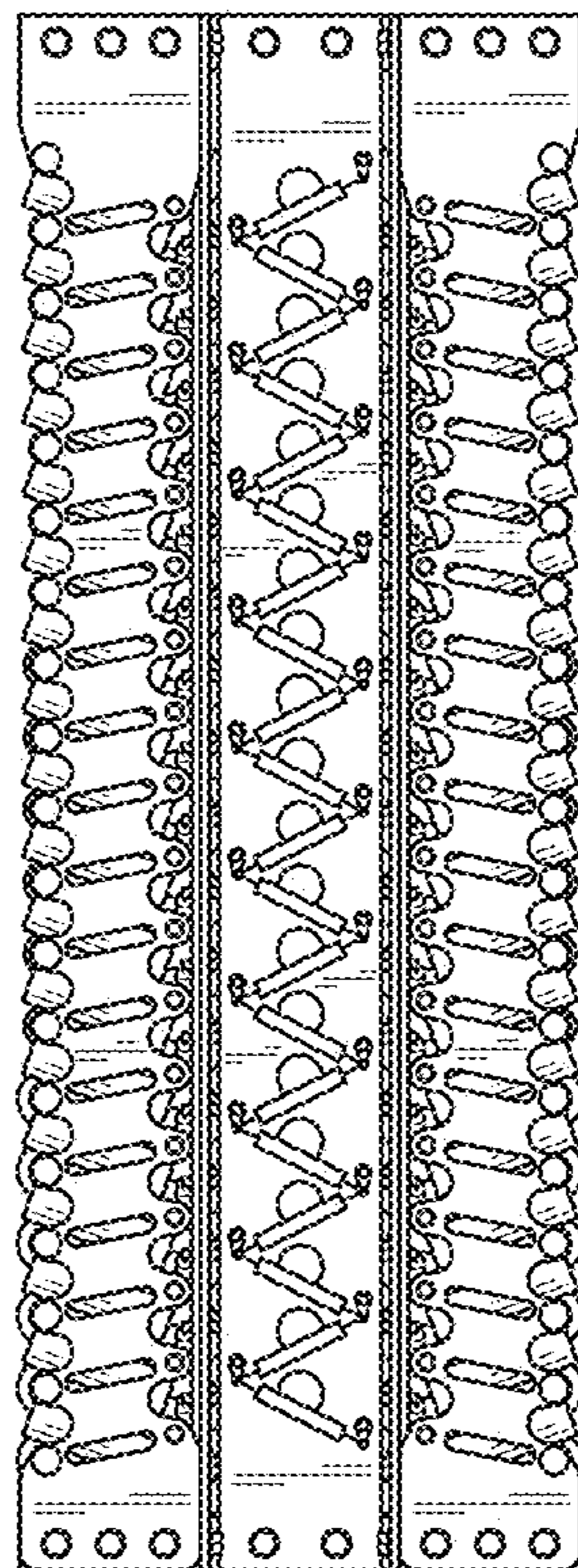


FIG. 3

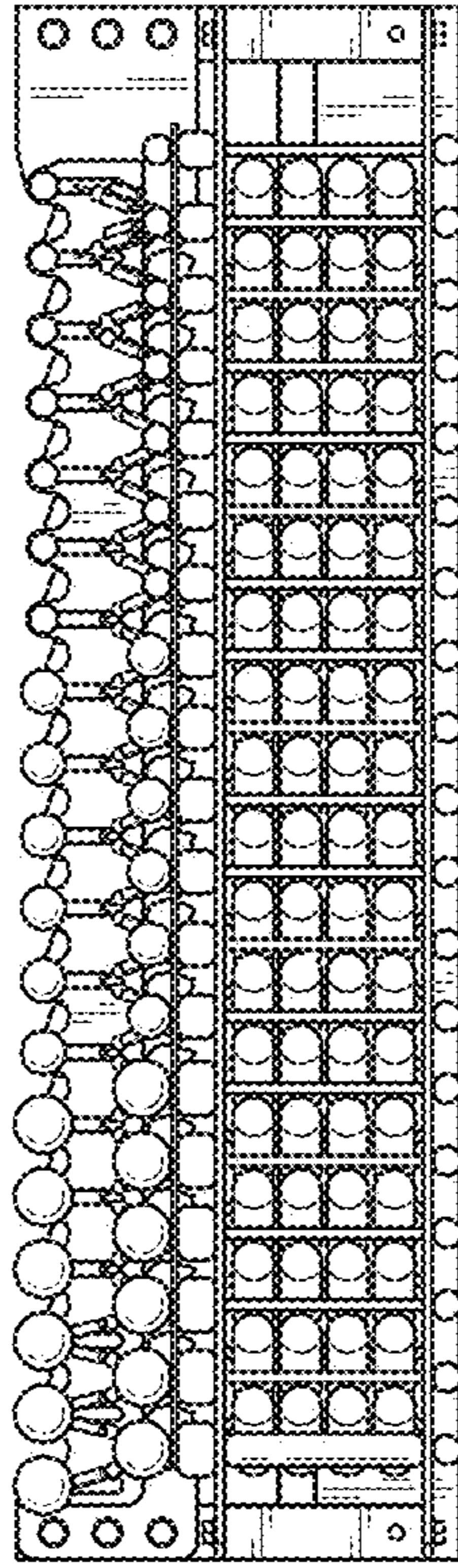


FIG. 4

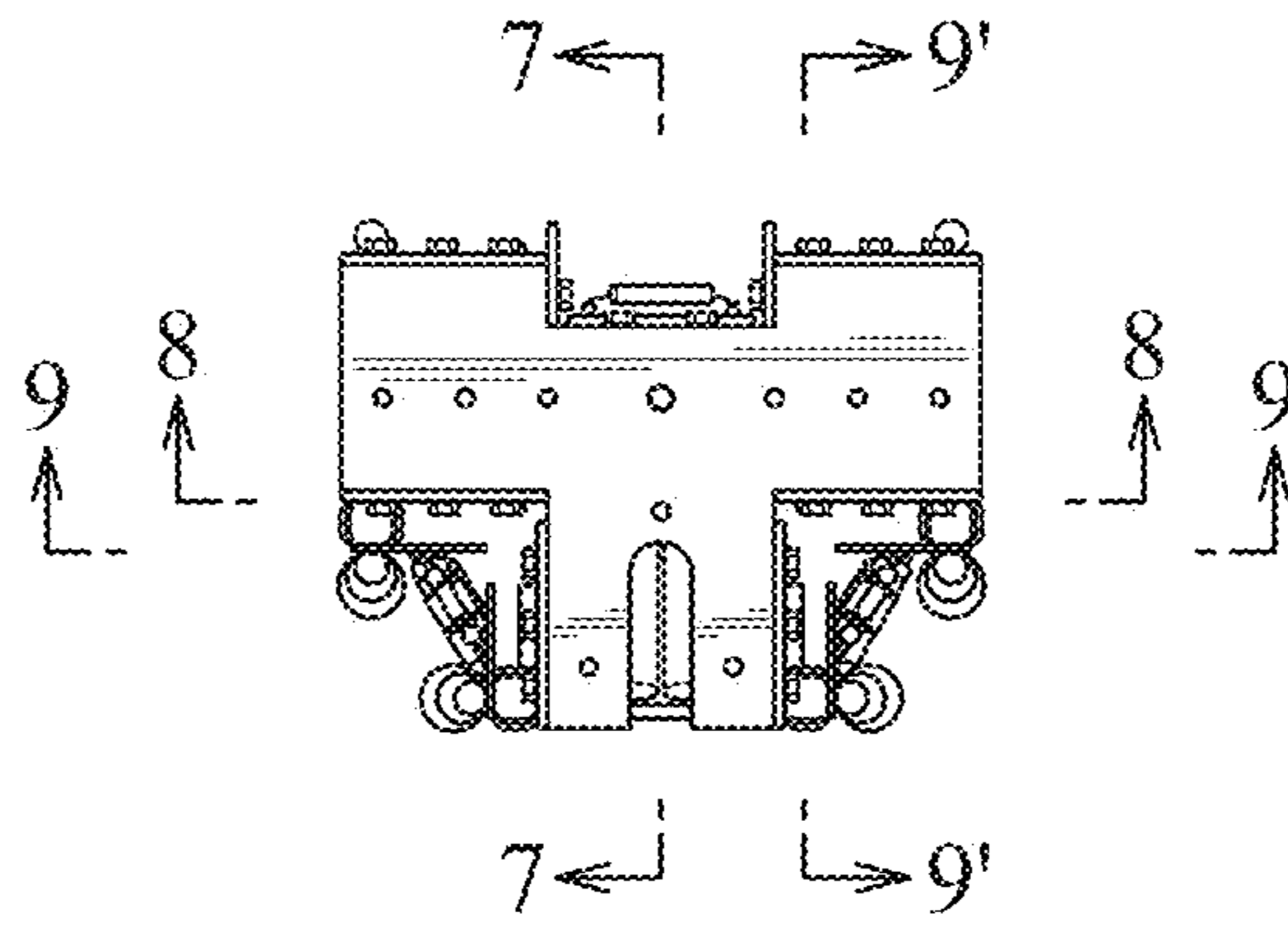


FIG. 5

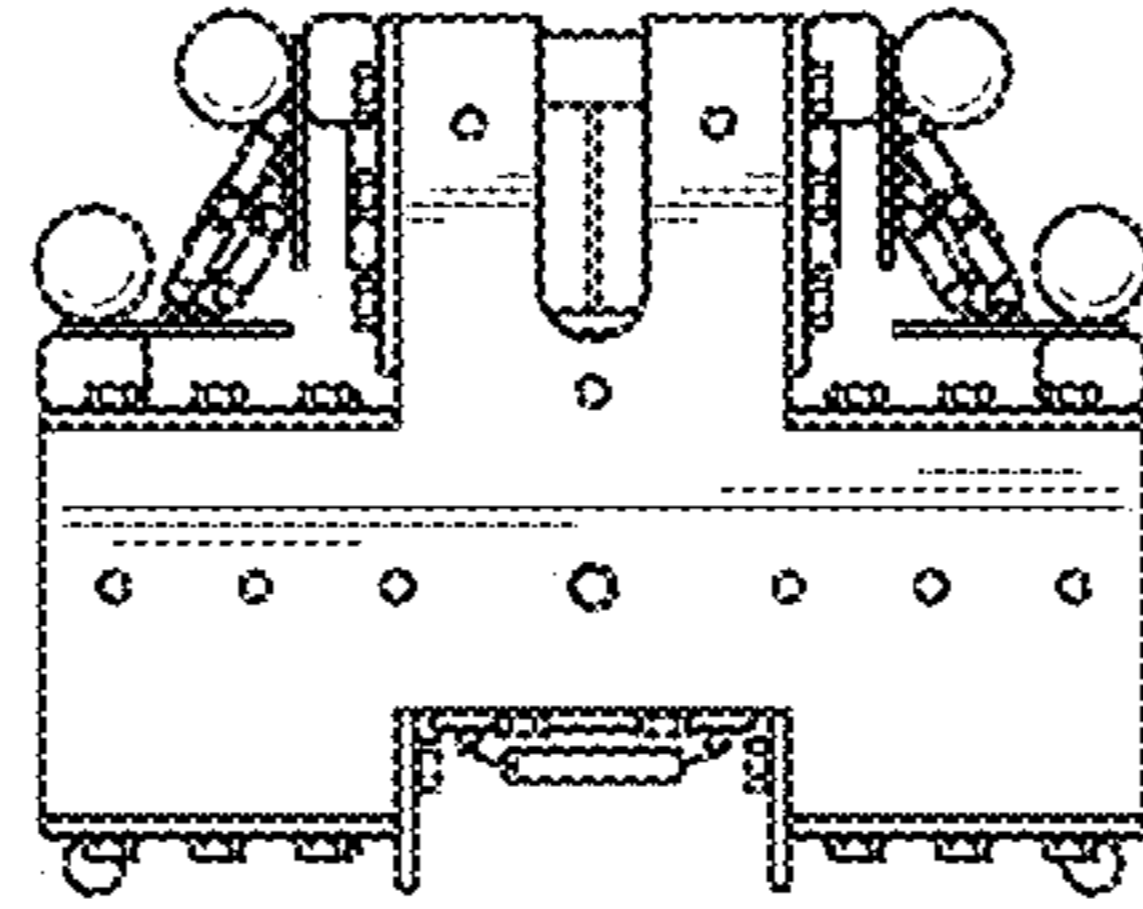


FIG. 6

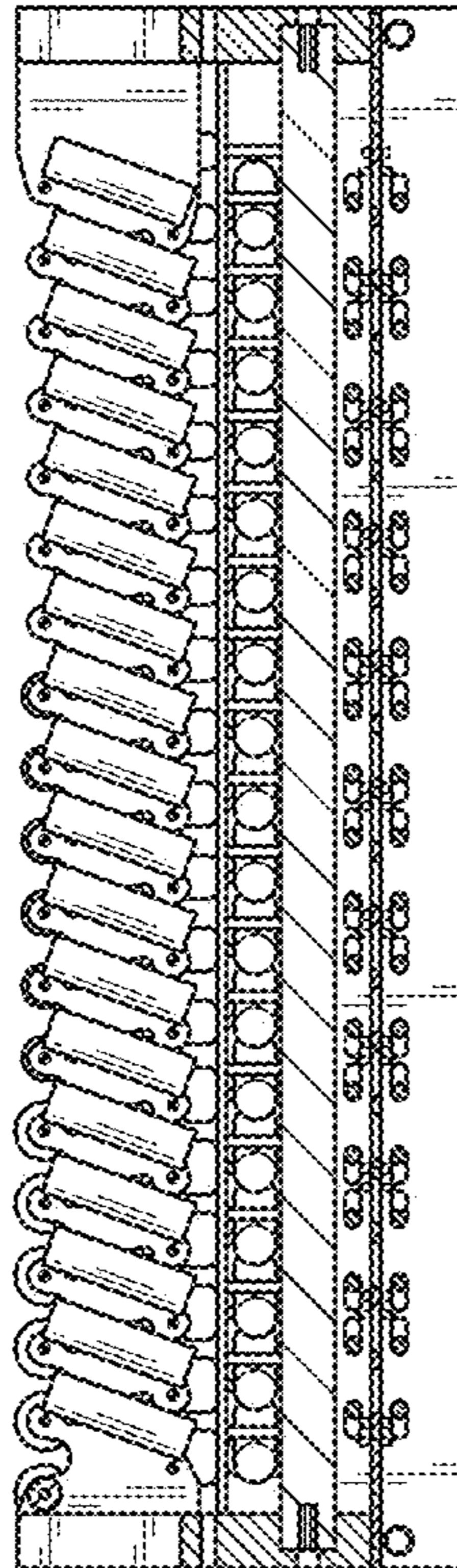


FIG. 7

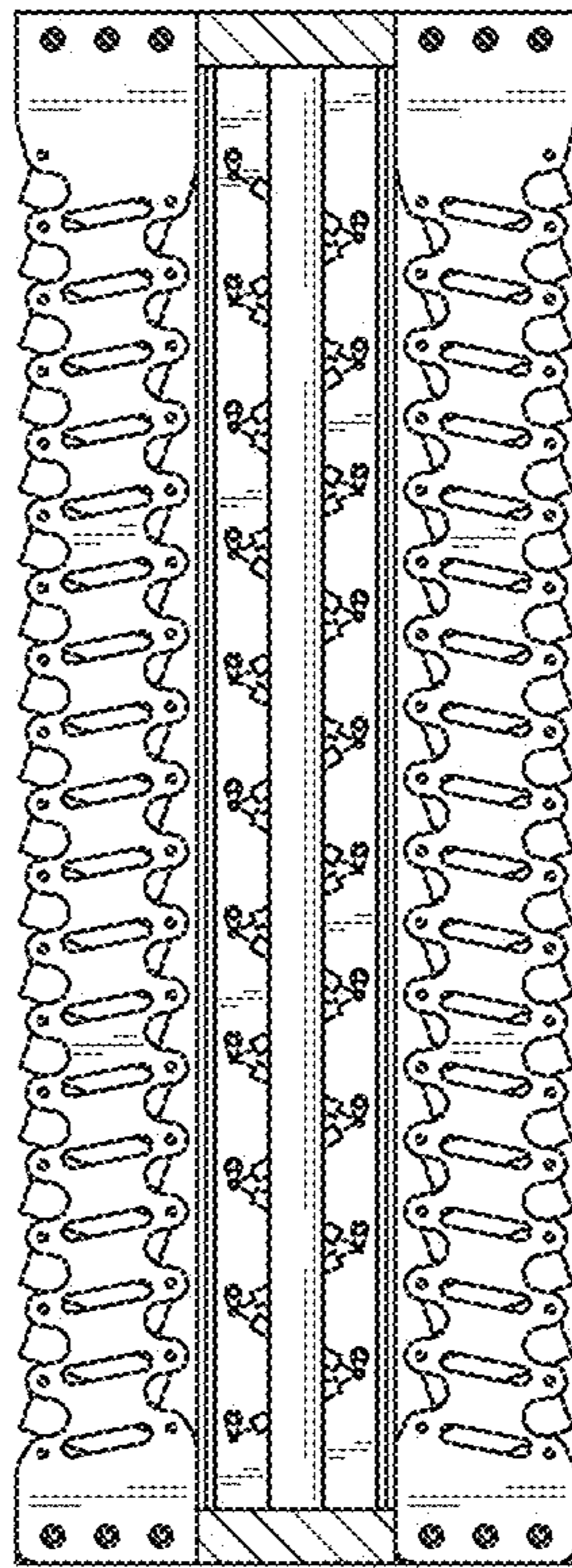


FIG. 8



FIG. 9

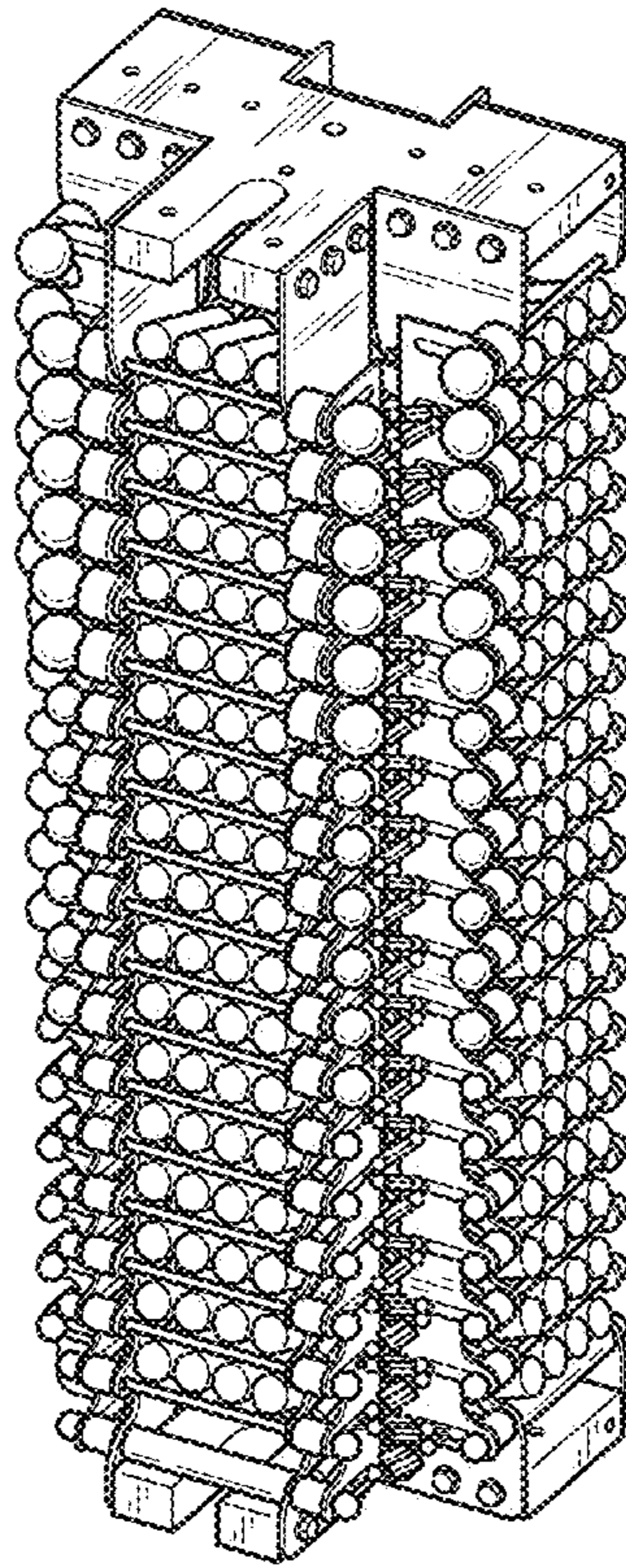


FIG. 10

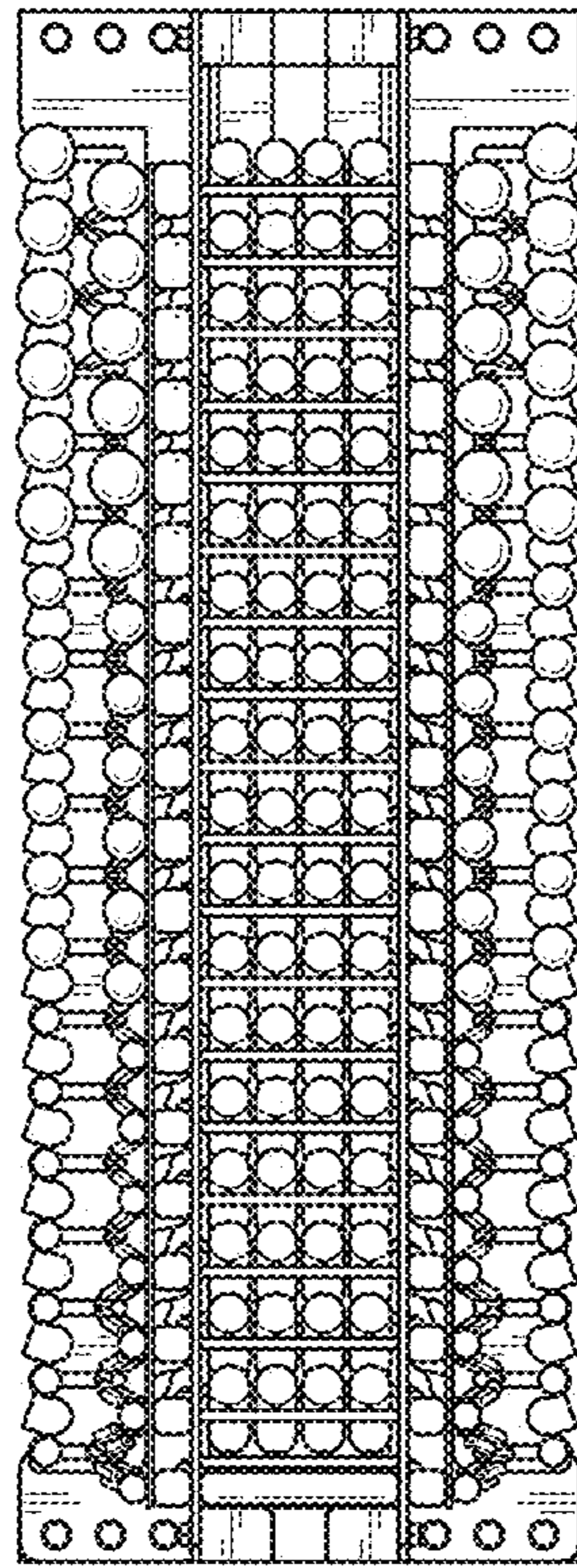


FIG. 11

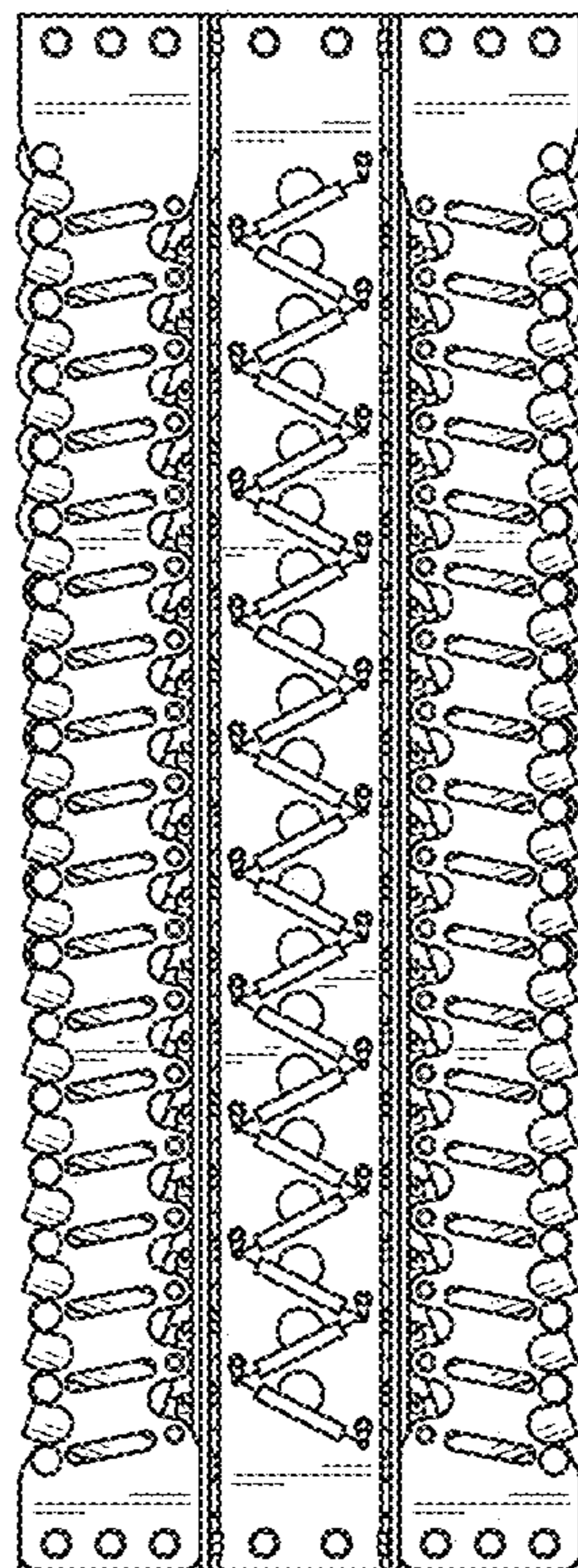


FIG. 12

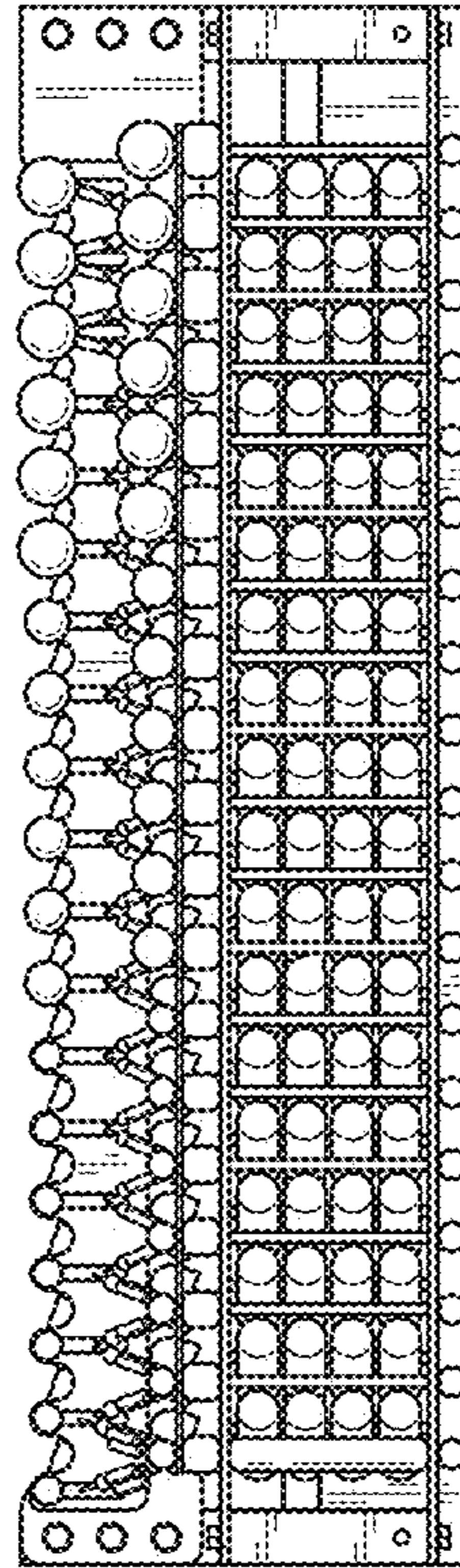


FIG. 13

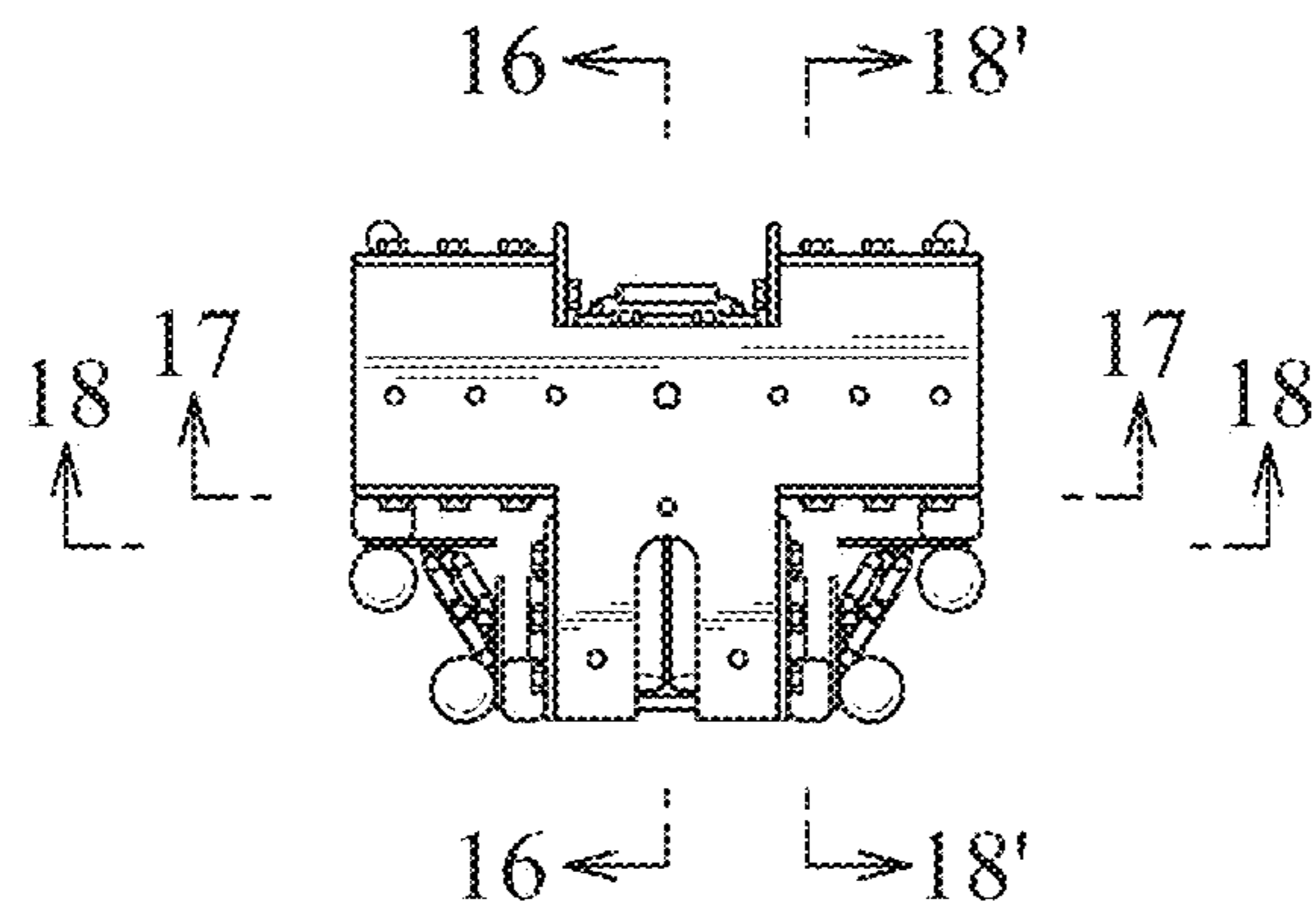


FIG. 14

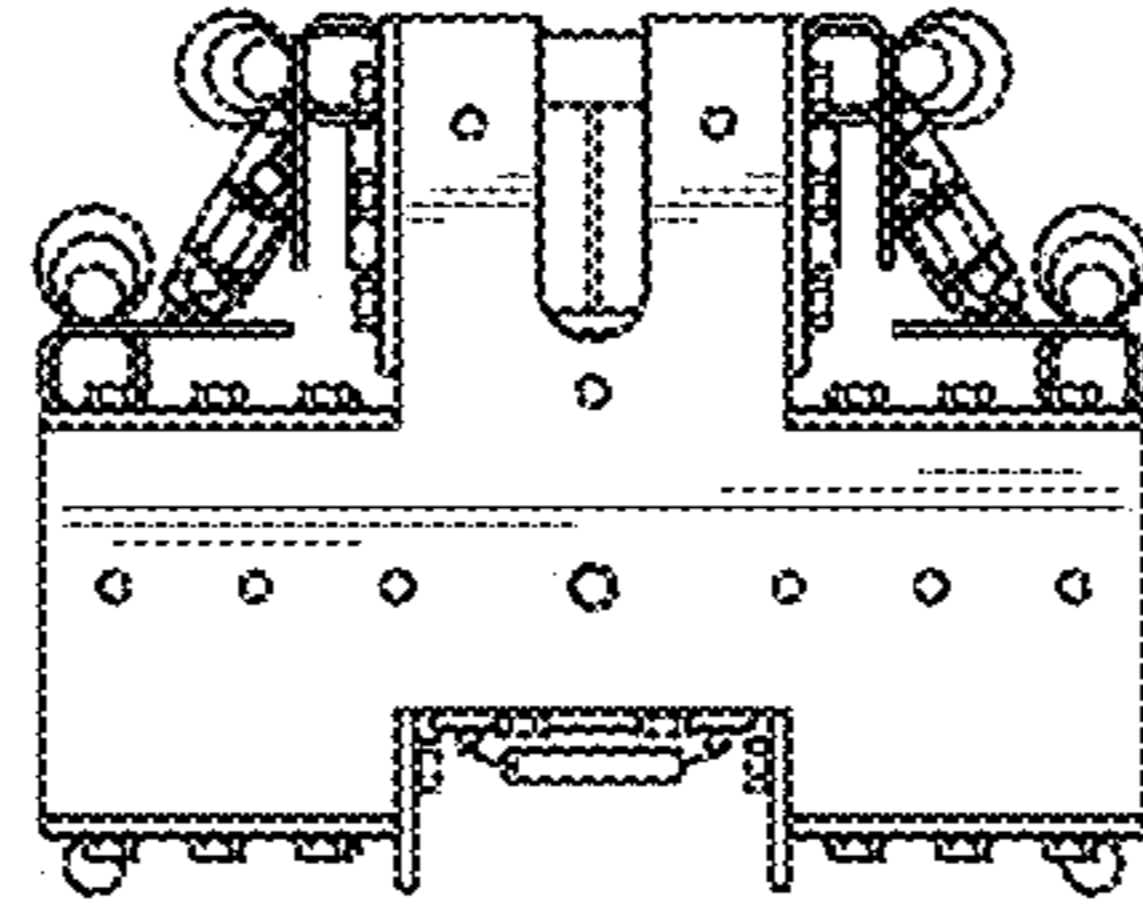


FIG. 15

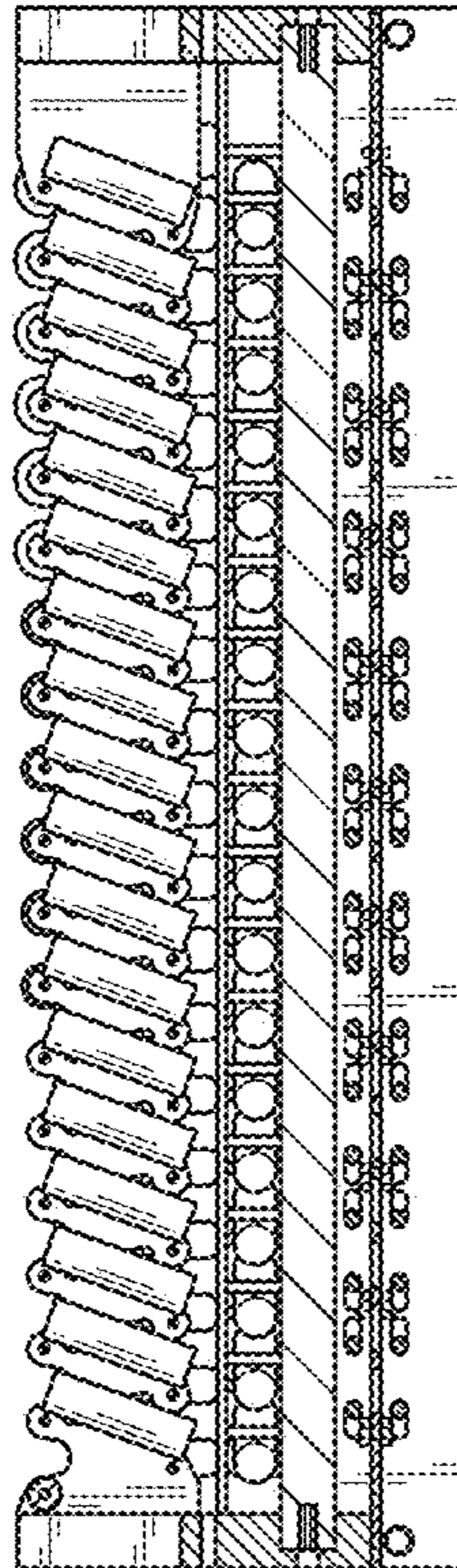


FIG. 16

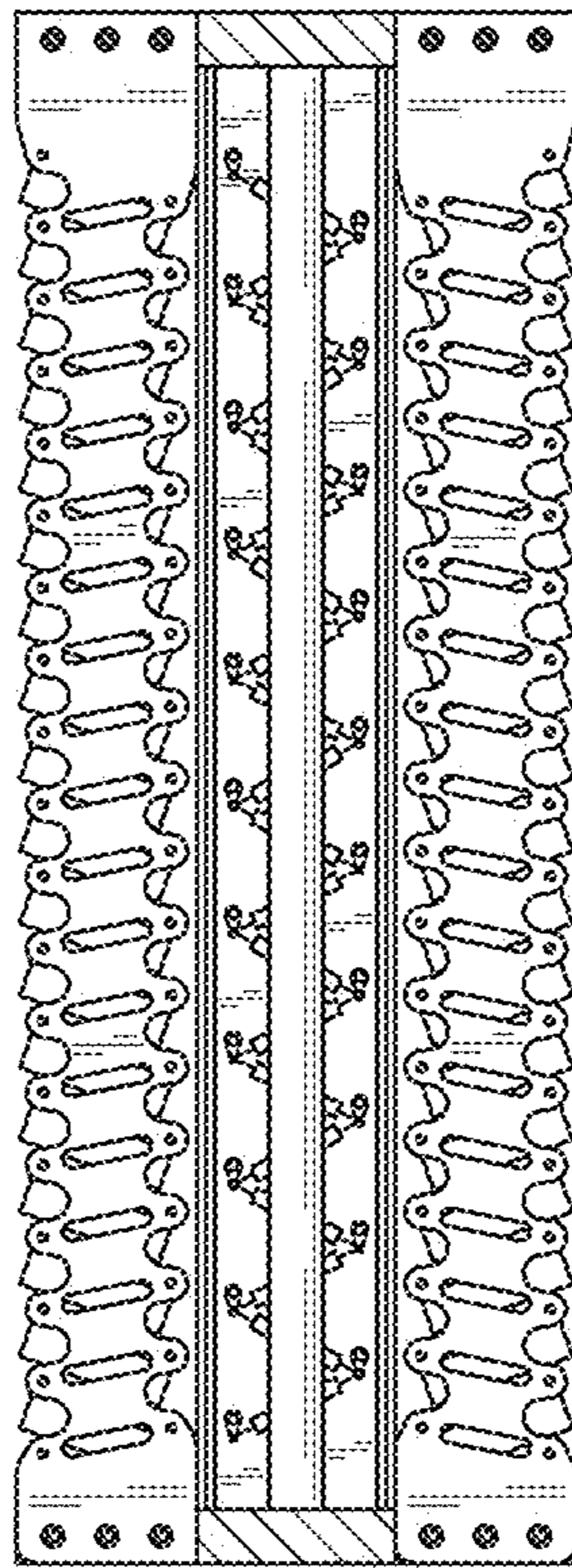


FIG. 17

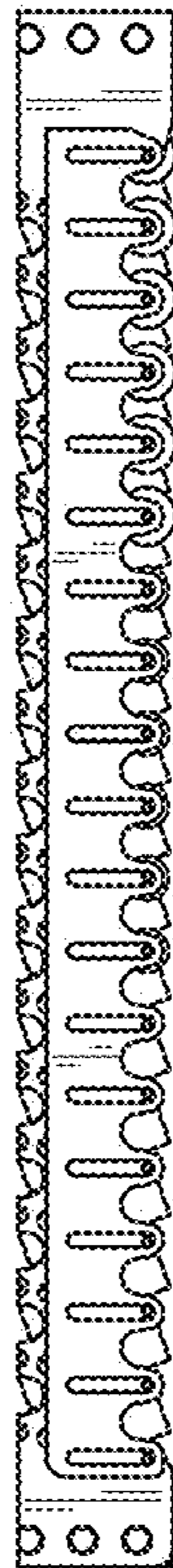


FIG. 18