



US00D963572S

(12) **United States Design Patent** (10) **Patent No.:** **US D963,572 S**
Sun (45) **Date of Patent:** **** Sep. 13, 2022**

(54) **WIRELESS CHARGER**

(71) Applicant: **SHENZHEN XINZHAOYI TECHNOLOGY CO., LTD.**, Shenzhen (CN)

(72) Inventor: **Zhaoqiang Sun**, Shifang (CN)

(73) Assignee: **SHENZHEN XINZHAOYI TECHNOLOGY CO., LTD.**, Shenzhen (CN)

(**) Term: **15 Years**

(21) Appl. No.: **29/811,551**

(22) Filed: **Oct. 15, 2021**

(51) **LOC (13) Cl.** **13-02**

(52) **U.S. Cl.**
USPC **D13/108**

(58) **Field of Classification Search**
USPC D13/107–108, 110, 118–119, 184, 199;
D14/251, 253, 432, 434
CPC .. H02J 7/025; H02J 7/005; H02J 50/00; H02J
50/10; H02J 50/12; H02J 50/80
See application file for complete search history.

(56) **References Cited**

U.S. PATENT DOCUMENTS

D637,951 S	*	5/2011	Perez	D13/108
D654,431 S	*	2/2012	Stephanchick	D13/108
D778,236 S		2/2017	Broadhurst, IV et al.		
D791,071 S		7/2017	Tsui		
D810,680 S	*	2/2018	Carreon	D13/108
D845,897 S	*	4/2019	Kim	D13/108
D850,371 S	*	6/2019	Yun	D13/108
D865,664 S	*	11/2019	Liao	D13/108
D865,666 S	*	11/2019	Roberts	D13/108
D876,356 S	*	2/2020	Tanaka	D13/123
D890,095 S	*	7/2020	Liao	D13/110
D899,359 S	*	10/2020	Zhang	D13/108
D938,353 S	*	12/2021	Gan	D13/108

OTHER PUBLICATIONS

“JACKYLED Bluetooth Speaker with Wireless Charger and LED Night Light Fast Charging Stand for Home Office Nightstand Compatible with iOS and Android Devices iPhone AirPods2 Galaxy Black”, Amazon.com, first available on Apr. 7, 2020. Retrieved from the internet: <<https://www.amazon.com/JACKYLED-Bluetooth-Wireless-Nightstand-Compatible/dp/B086TWTMXK?th=1>>. (Year: 2020).*

* cited by examiner

Primary Examiner — Rosemary K Tarcza

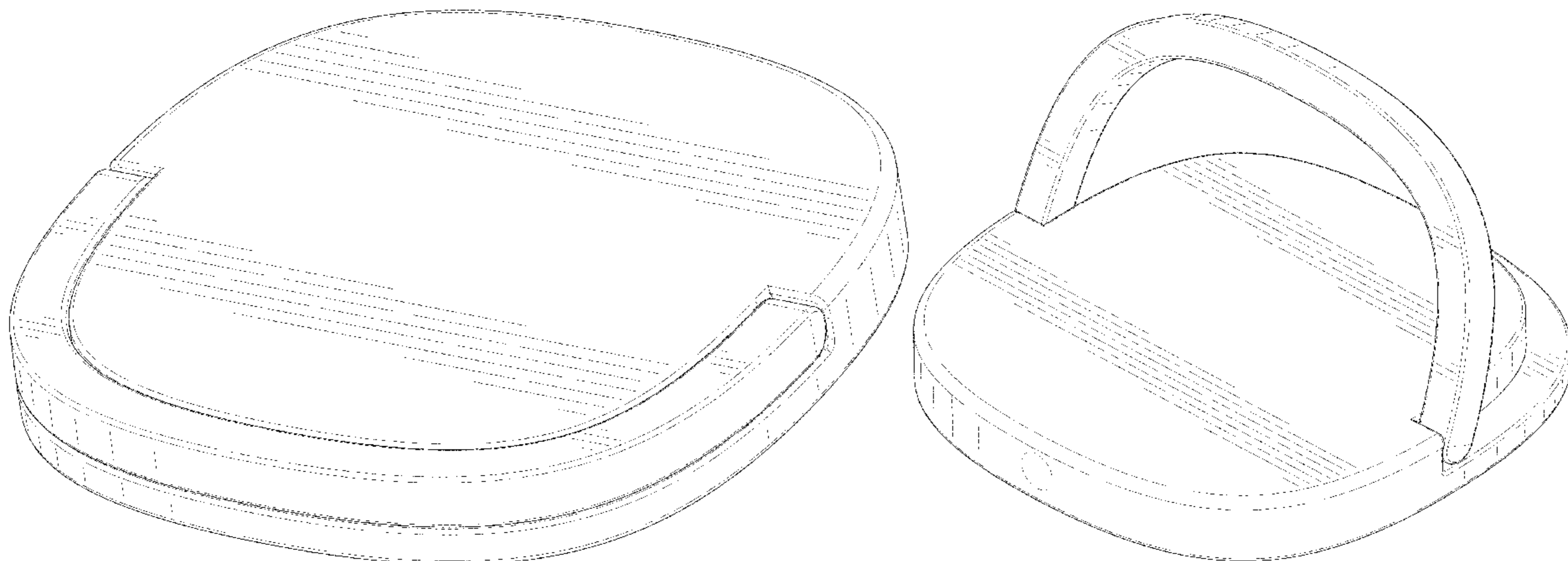
(57) **CLAIM**

The ornamental design for a wireless charger, as shown and described.

DESCRIPTION

FIG. 1 is a perspective view of a wireless charger showing my new design;
FIG. 2 is another perspective view thereof;
FIG. 3 is a top plan view thereof;
FIG. 4 is a bottom plan view thereof;
FIG. 5 is a left side elevational view thereof;
FIG. 6 is a right side elevational view thereof;
FIG. 7 is a front elevational view thereof;
FIG. 8 is a rear elevational view thereof;
FIG. 9 is a perspective view of the wireless charger where a handle of the wireless charger is in an open state; and,
FIG. 10 is a perspective view of the wireless charger where the wireless charger is in a configuration of use.
The broken lines in FIG. 10 depict environment and form no part of the claimed design. The other broken lines in the drawings depict portions of the wireless charger that form no part of the claimed design.

1 Claim, 10 Drawing Sheets



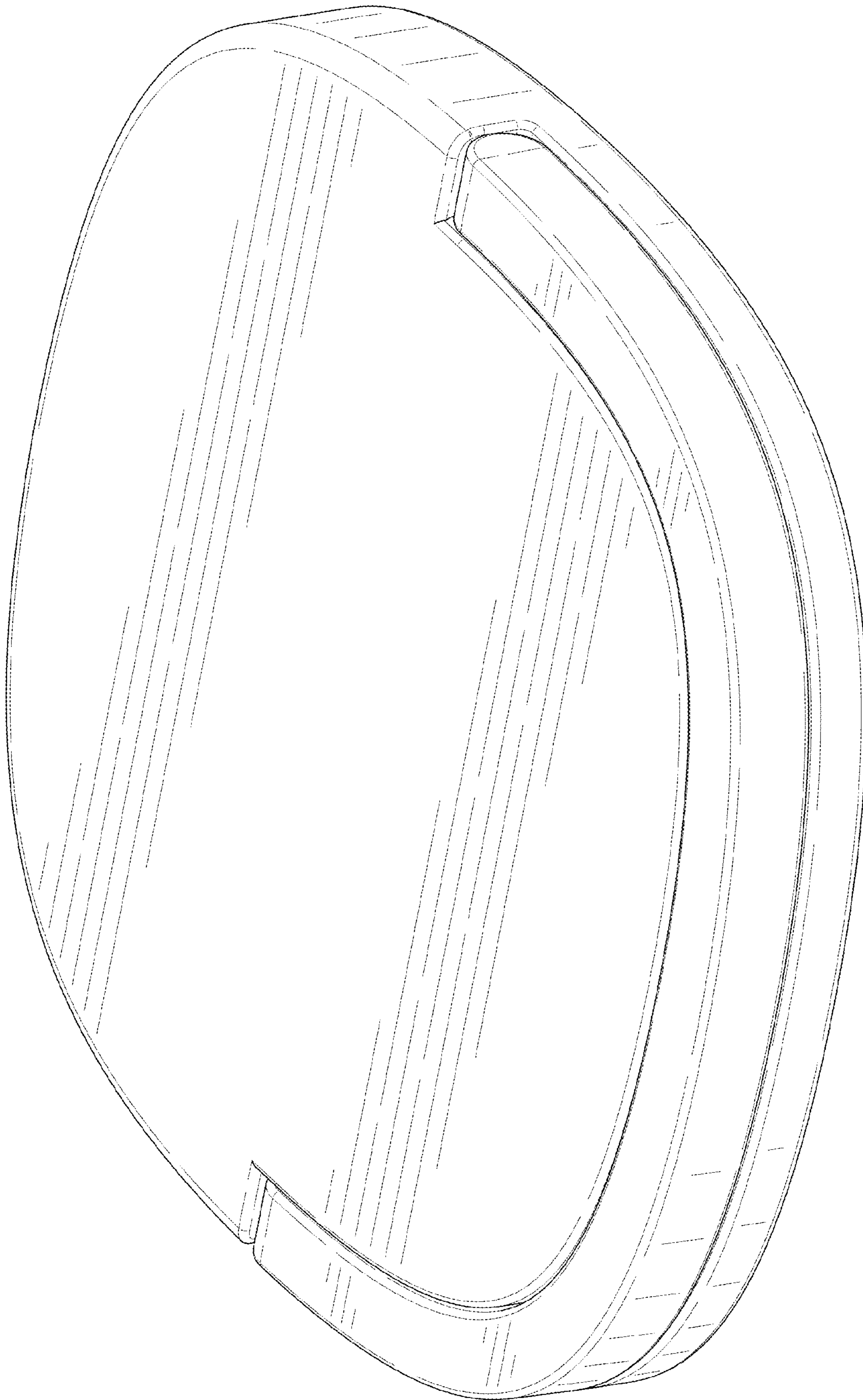


FIG. 1

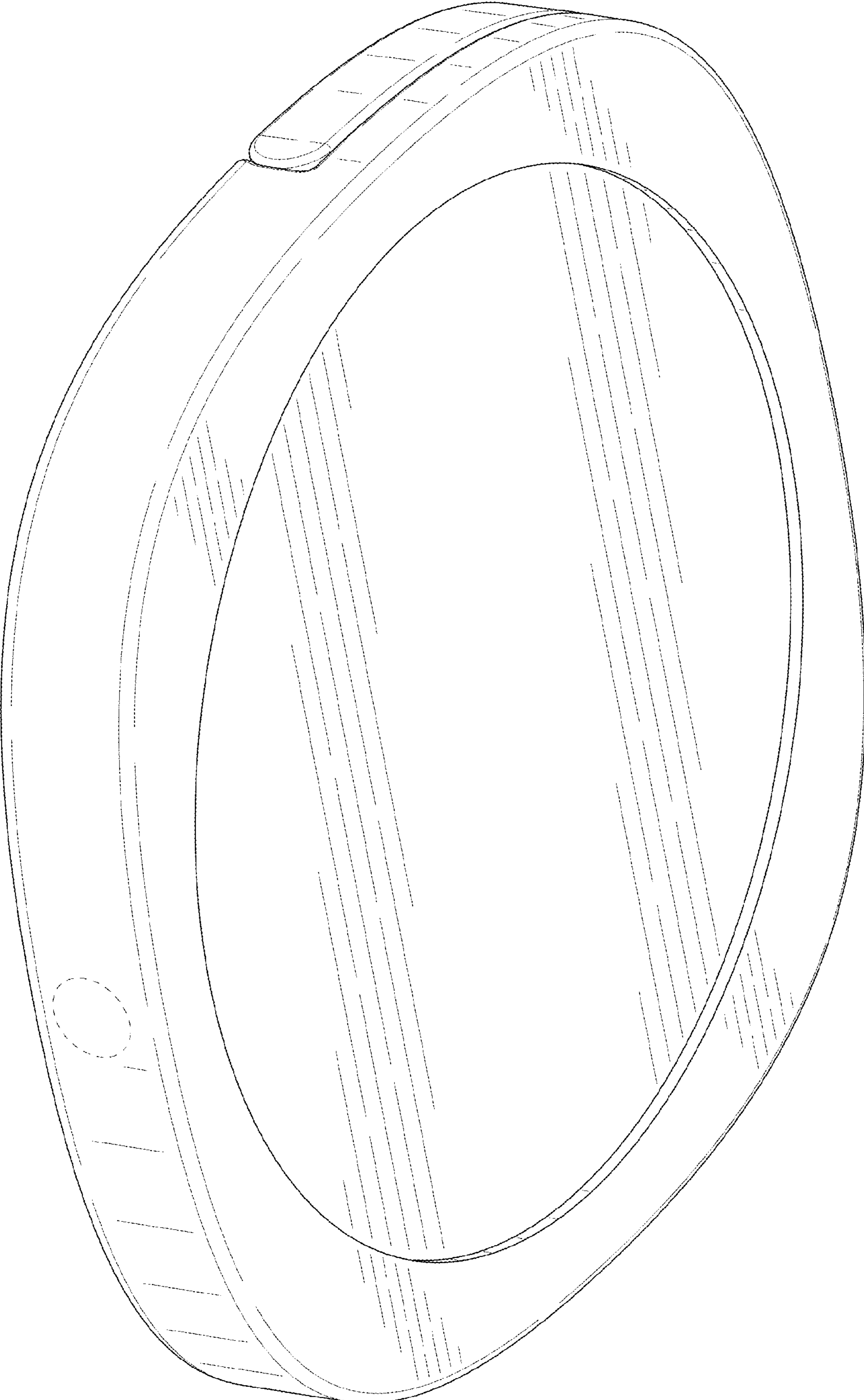


FIG. 2

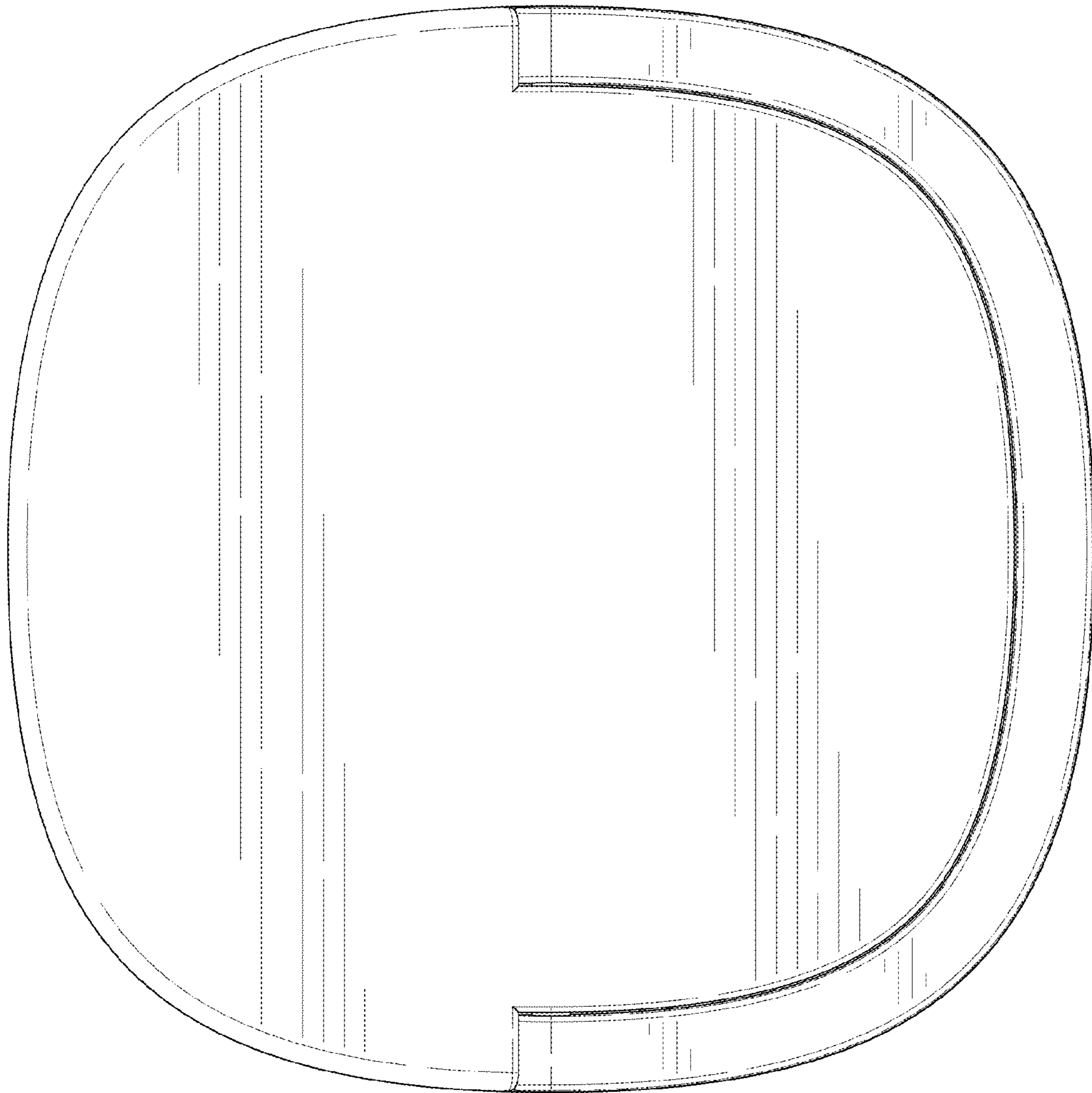


FIG. 3

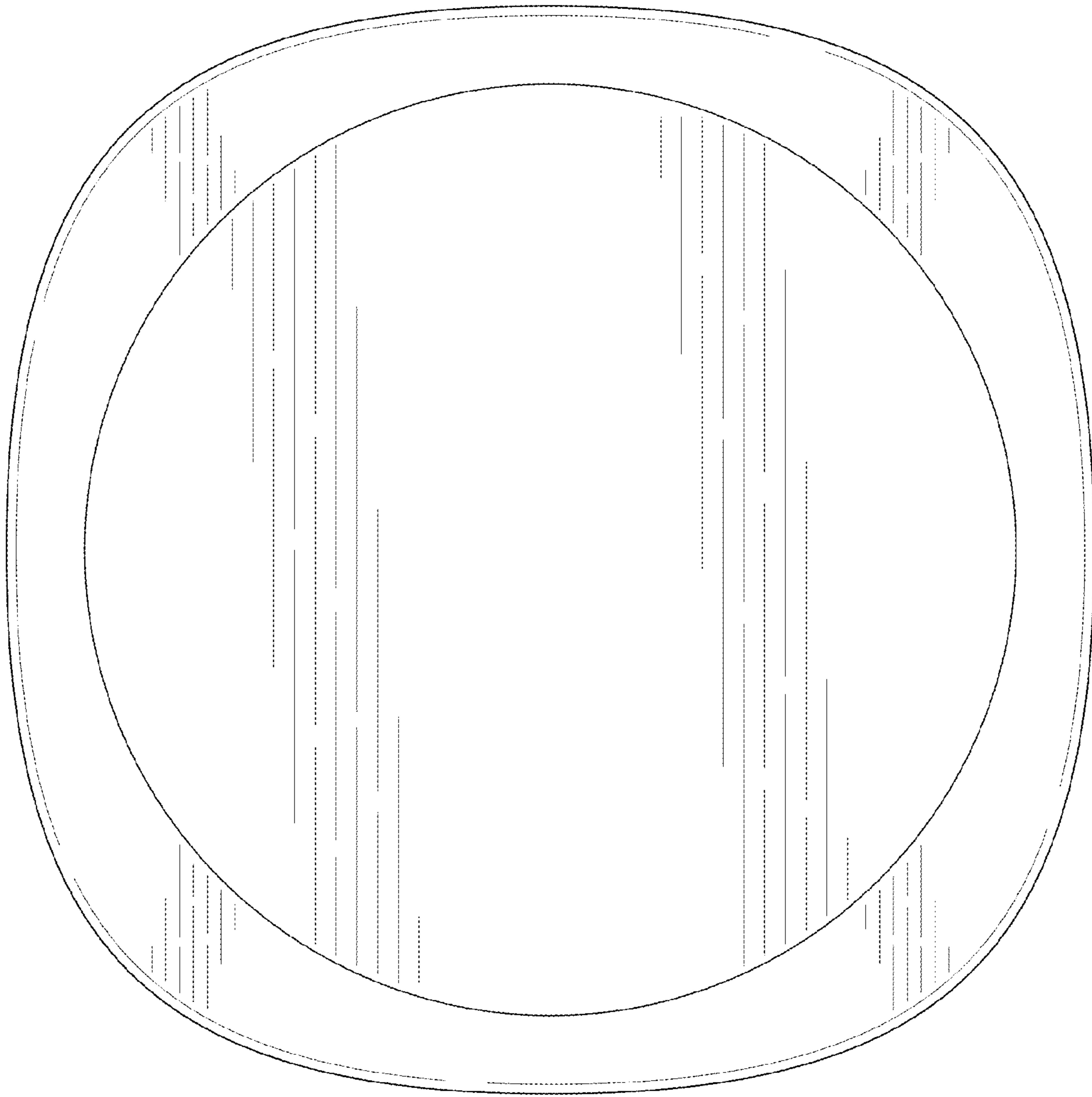


FIG. 4

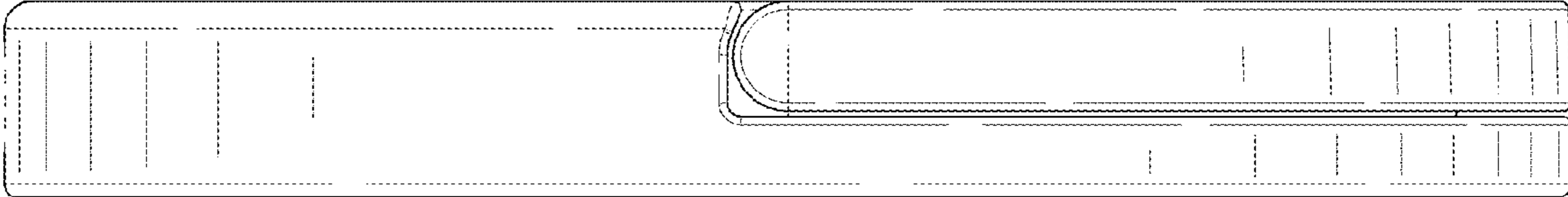


FIG. 5

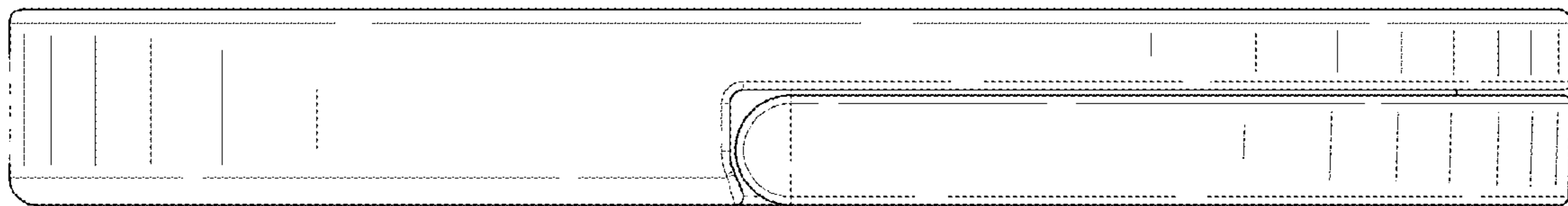


FIG. 6

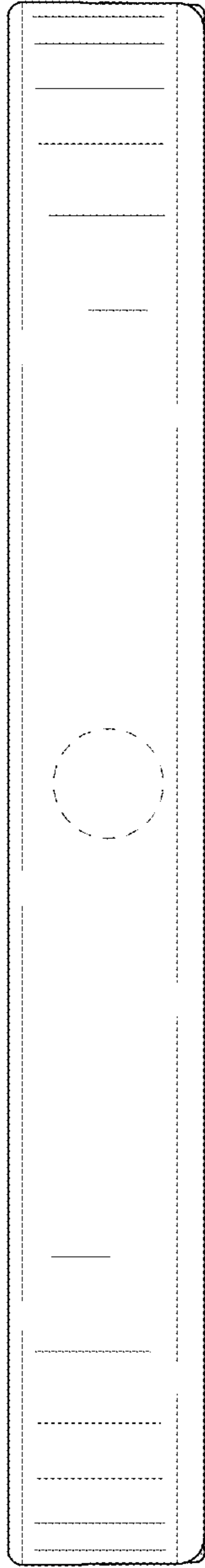


FIG. 7

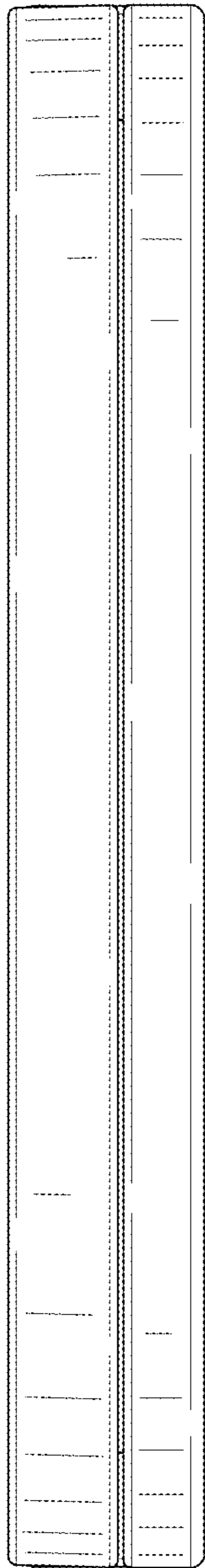


FIG. 8

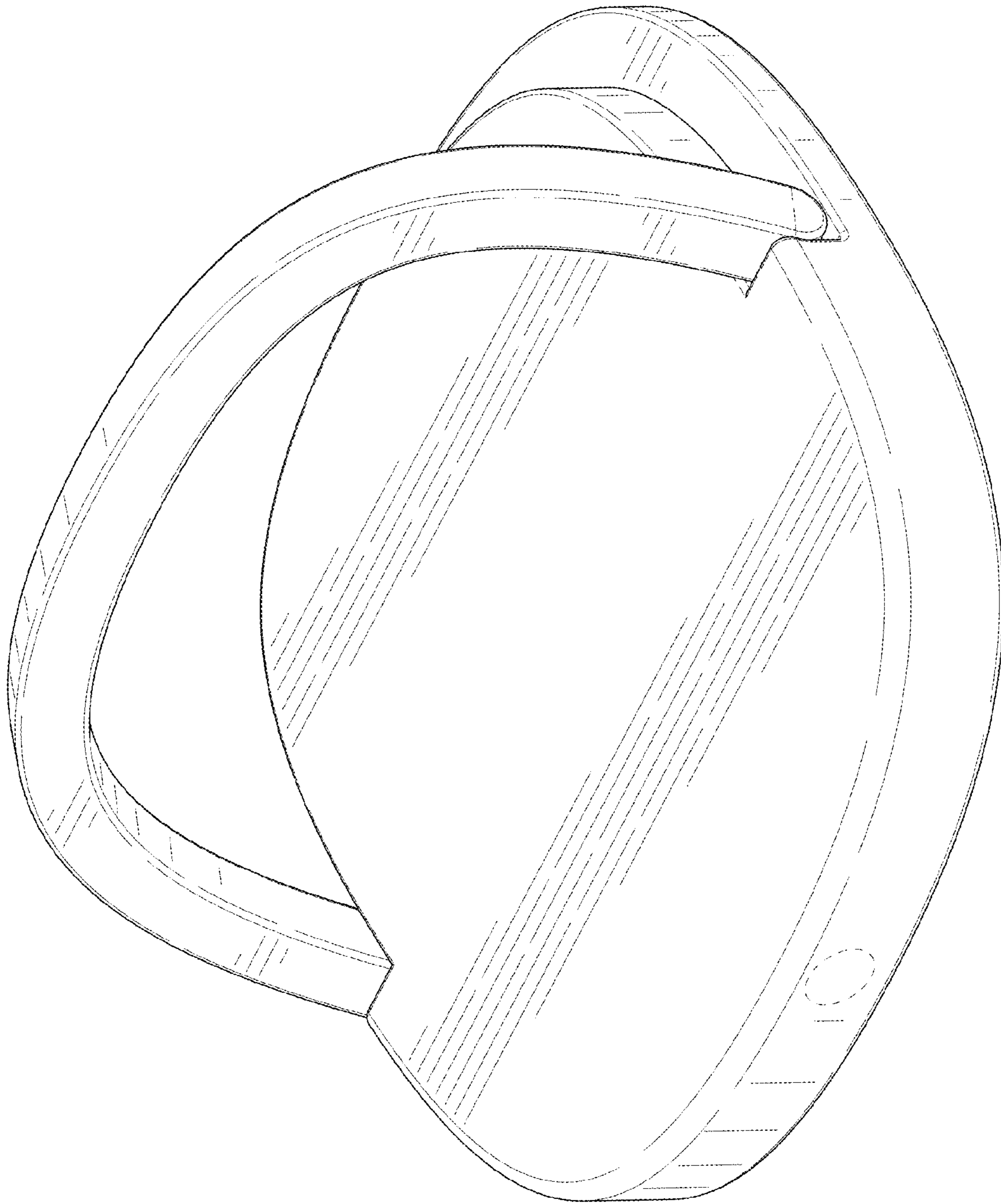


FIG. 9

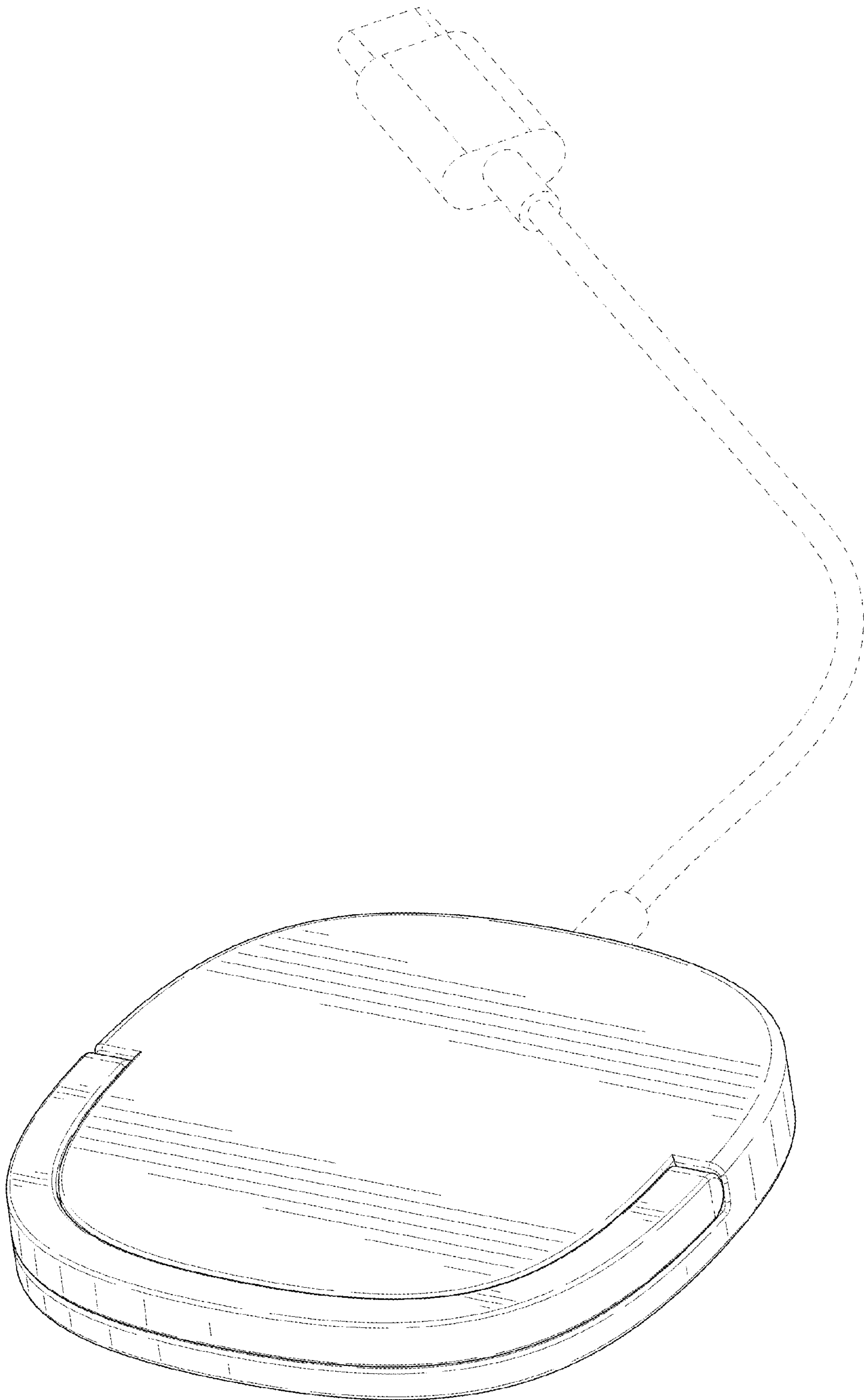


FIG. 10