



US00D963567S

(12) **United States Design Patent** (10) **Patent No.:** **US D963,567 S**
Kawase et al. (45) **Date of Patent:** **** Sep. 13, 2022**

(54) **BATTERY CHARGER**

FOREIGN PATENT DOCUMENTS

(71) Applicant: **MAKITA CORPORATION**, Anjo (JP)

JP 1597203 S 2/2018

(72) Inventors: **Tomonori Kawase**, Anjo (JP); **Junichi Murakami**, Anjo (JP)

OTHER PUBLICATIONS

(73) Assignee: **MAKITA CORPORATION**, Anjo (JP)

“Makita Battery Terminal”. Found online Feb. 23, 2022 at makitatools.com. Reference dated Sep. 19, 2017. Retrieved from https://tineye.com/search/ee203c2c88976fb4ca106ef303c043d6efc00567?sort=crawl_date&order=asc&page=1. (Year: 2017).*

(**) Term: **15 Years**

“FirstPower Battery Adapter”. Found online Feb. 23, 2022 at amazon.com. Reference dated Jun. 11, 2019. Retrieved from <https://www.amazon.com/FirstPower-Battery-Adapter-Lithium-ion-Milwaukee/dp/B07MF2VJMT>. (Year: 2019).*

(21) Appl. No.: **29/817,188**

(22) Filed: **Nov. 29, 2021**

(Continued)

Related U.S. Application Data

(63) Continuation of application No. 29/722,257, filed on Jan. 28, 2020, now Pat. No. Des. 937,200.

Primary Examiner — Kendra Leslie Hamilton

Assistant Examiner — Amanda Christensen

(74) *Attorney, Agent, or Firm* — Global IP Counselors, LLP

(30) **Foreign Application Priority Data**

Jul. 30, 2019 (JP) 2019-017002

(51) **LOC (13) Cl.** **13-02**

(57) **CLAIM**

(52) **U.S. Cl.**
USPC **D13/107**

The ornamental design for a battery charger, as shown and described.

(58) **Field of Classification Search**
USPC D13/103, 104, 107, 108, 110, 118, 119,
D13/120, 137.1, 137.2

CPC H02J 7/00047; H02J 15/00; H02J 50/05
See application file for complete search history.

DESCRIPTION

(56) **References Cited**

U.S. PATENT DOCUMENTS

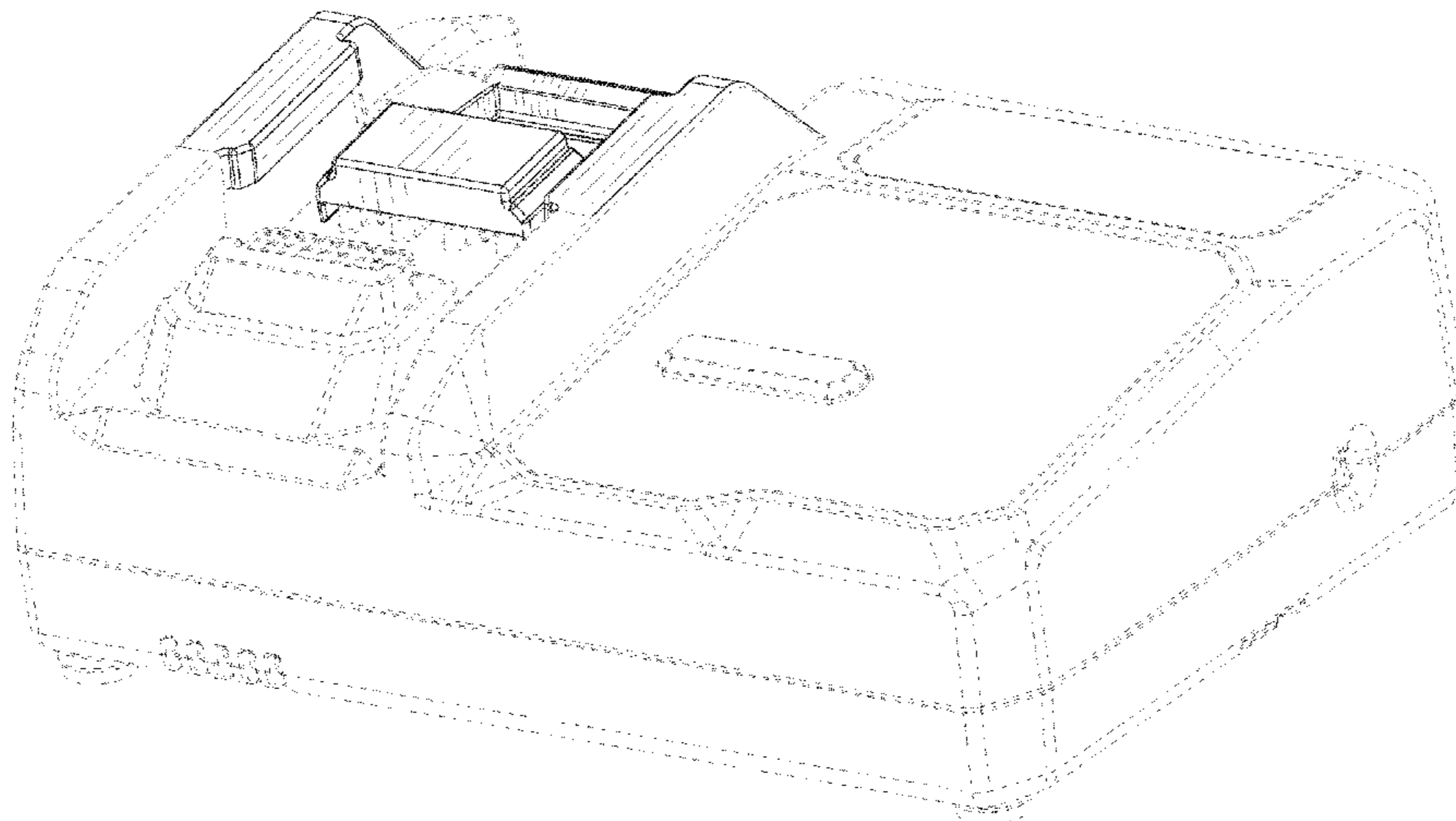
D442,140 S * 5/2001 Kasuya D13/107
D483,012 S * 12/2003 Hsu D13/103
D487,570 S 3/2004 Ito et al.
7,064,519 B2 * 6/2006 Ito H02J 7/0045
320/112
D539,733 S 4/2007 Ino et al.
D548,687 S 8/2007 Okuda et al.
D610,085 S * 2/2010 Sweeney D13/107
D636,723 S 4/2011 Yamamoto et al.
D642,518 S 8/2011 Kokawa

FIG. 1 is a front, bottom, right side perspective view of a battery charger, showing our new design;
FIG. 2 is a rear, top, left side perspective view thereof;
FIG. 3 is a front elevational view thereof;
FIG. 4 is a top plan view thereof;
FIG. 5 is a bottom plan view thereof;
FIG. 6 is a right side elevational view thereof; and,
FIG. 7 is a left side elevational view thereof.

The broken lines depict portions of the battery charger that form no part of the claimed design. The dot-dash broken lines represent a boundary between claimed portions and unclaimed portions of the battery charger and form no part of the claimed design.

(Continued)

1 Claim, 7 Drawing Sheets



(56)

References Cited

U.S. PATENT DOCUMENTS

D652,793	S *	1/2012	Tschopp	D13/107
9,966,772	B2 *	5/2018	Uesugi	H02J 7/0091
D839,183	S	1/2019	Kirkpatrick	
D855,019	S *	7/2019	Rustill	D13/108
D865,661	S *	11/2019	Lin	D13/107
D870,656	S	12/2019	Waldron	
D885,331	S	5/2020	Suzuki et al.	
D900,024	S *	10/2020	Kuang	D13/107
D900,025	S	10/2020	Chen et al.	
D913,231	S *	3/2021	Zugen	D13/107
D937,200	S *	11/2021	Kawase	D13/107
2009/0251107	A1	10/2009	Mori et al.	
2010/0085020	A1 *	4/2010	Suzuki	H01M 50/543 320/157
2012/0098494	A1	4/2012	Ogura et al.	
2014/0266048	A1	9/2014	Cunanan et al.	
2018/0278071	A1	9/2018	Murakami et al.	
2020/0303933	A1 *	9/2020	Murakami	H02J 7/0044

OTHER PUBLICATIONS

“Makita DC18RD Battery Charger”. Found online Feb. 23, 2022 at protrade.co.uk. Reference dated Jul. 21, 2015. Retrieved from https://tineye.com/search/e58bd7195ddc722154d1f290205a5fce5cb2fa54?sort=crawl_date&order=asc&page=1. (Year: 2015).*

“Makita Lithium-Ion Rapid Optimum Battery Charger”. Found online Apr. 6, 2021 at homedepot.com. Reference dated Jun. 23, 2015. Retrieved from <https://www.homedepot.com/p/Makita-18-Volt-LXT-Lithium-Ion-Rapid-Optimum-Battery-Charger-DC18RC/204326204>. (Year: 2015).

“Makita Battery Charger”. Found online Apr. 6, 2021 at amazon.com. Reference dated May 3, 2018. Retrieved from https://www.amazon.com/Battery-Charger-Replace-BL1021B-BL1041B/dp/B07CVC22BV/ref=sr_1_41 (Year: 2018).

“Reexbon Battery Charger”. Found online Apr. 6, 2021 at amazon.com. Reference dated Nov. 12, 2017. Retrieved from <https://www.amazon.com/REEXBON-7-2V-18V-Li-ion-Battery-Charger/dp/B074T7LZR8>. (Year: 2017).

* cited by examiner

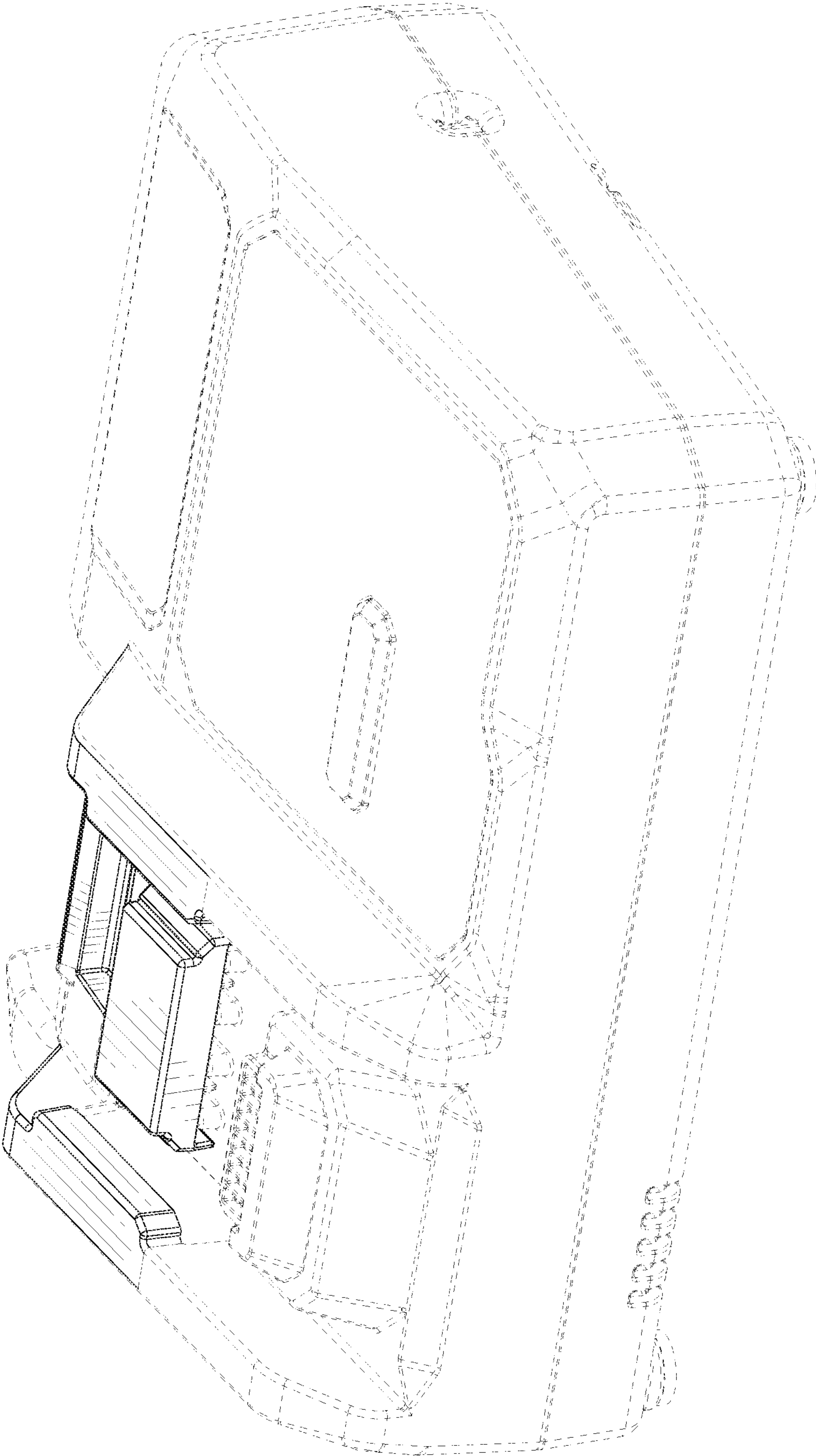


FIG. 1

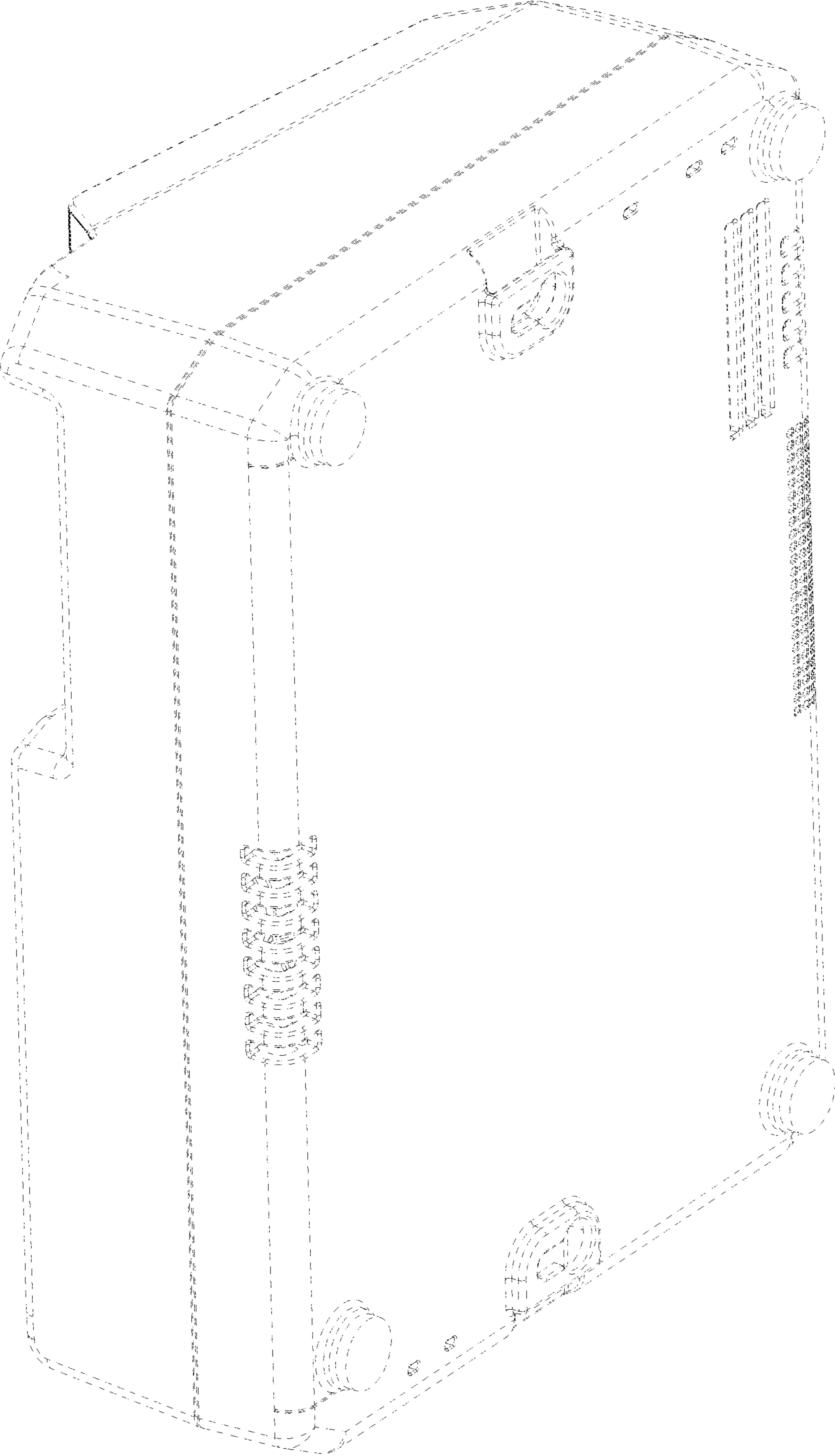


FIG. 2

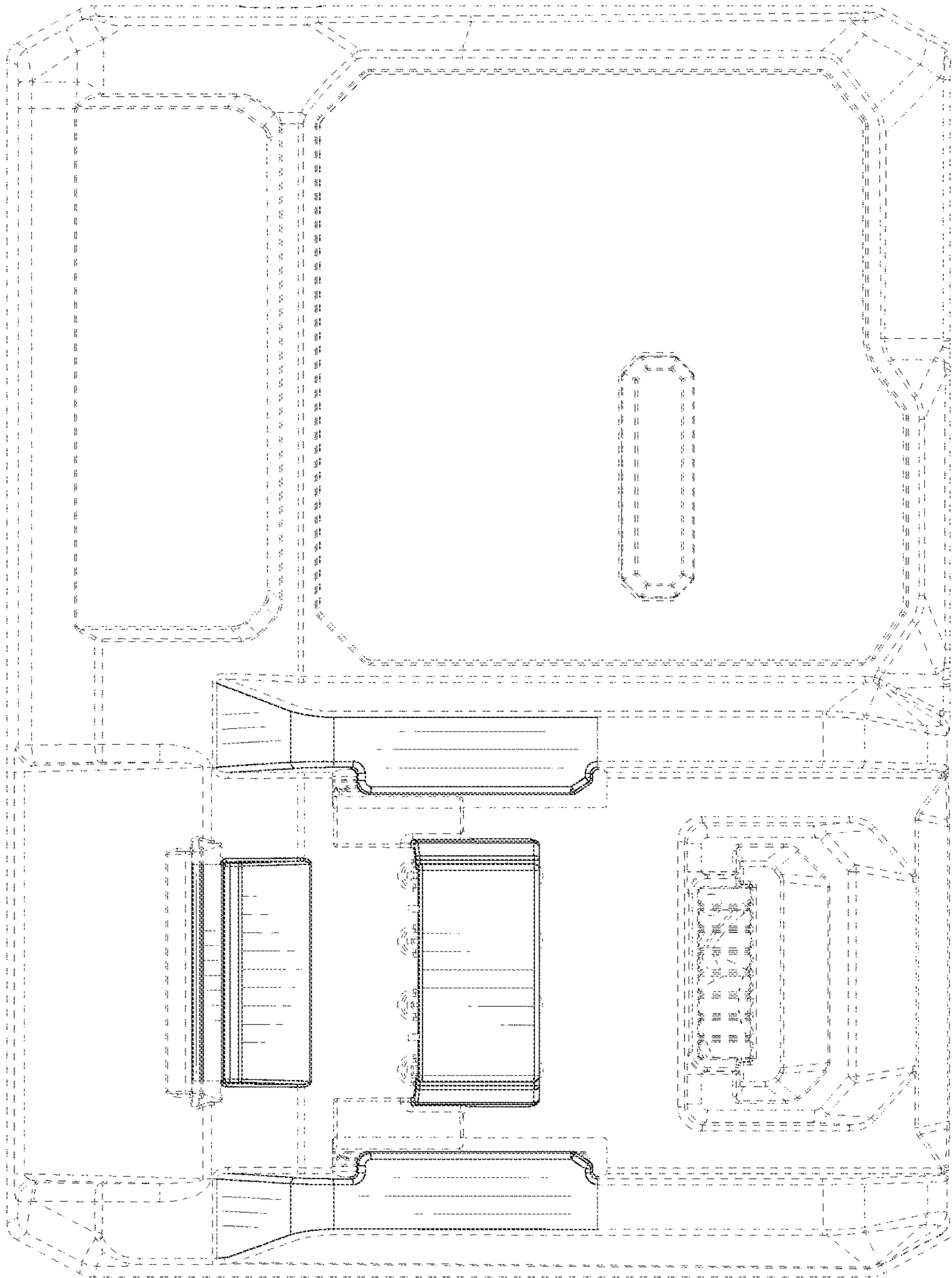


FIG. 3

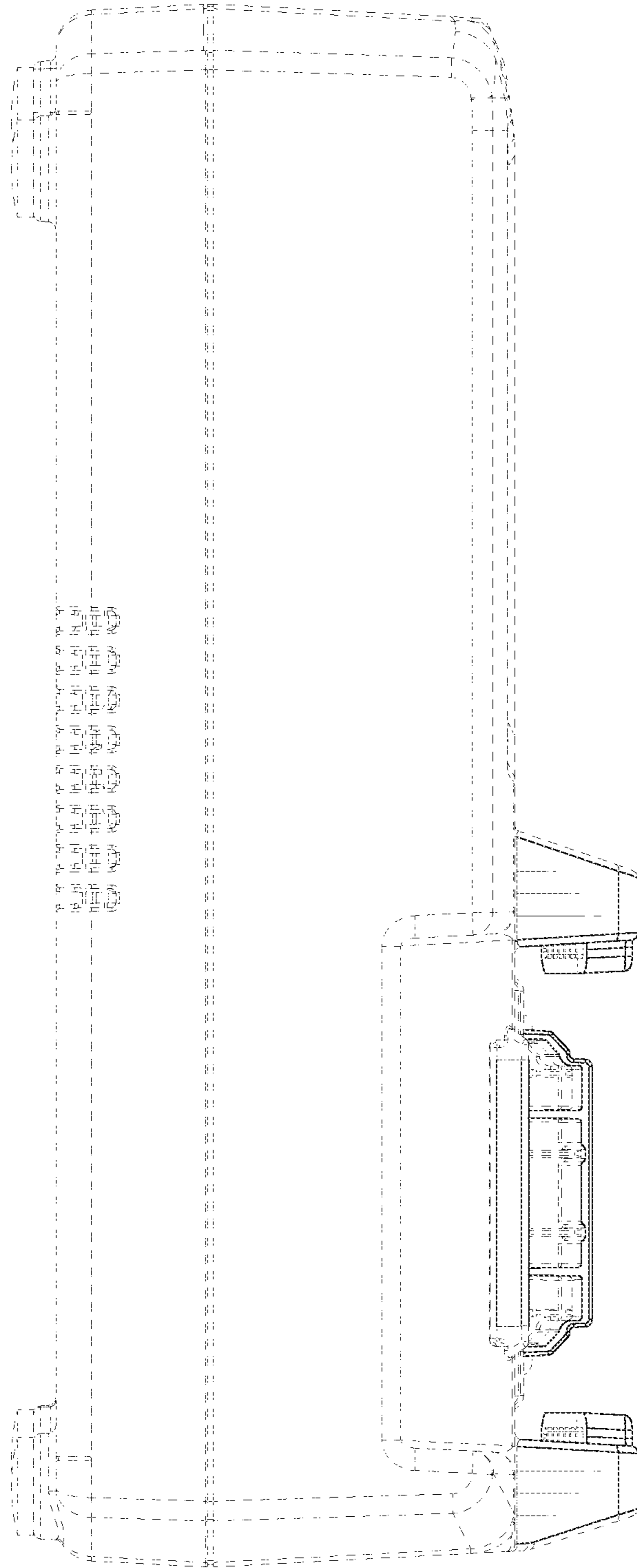


FIG. 4

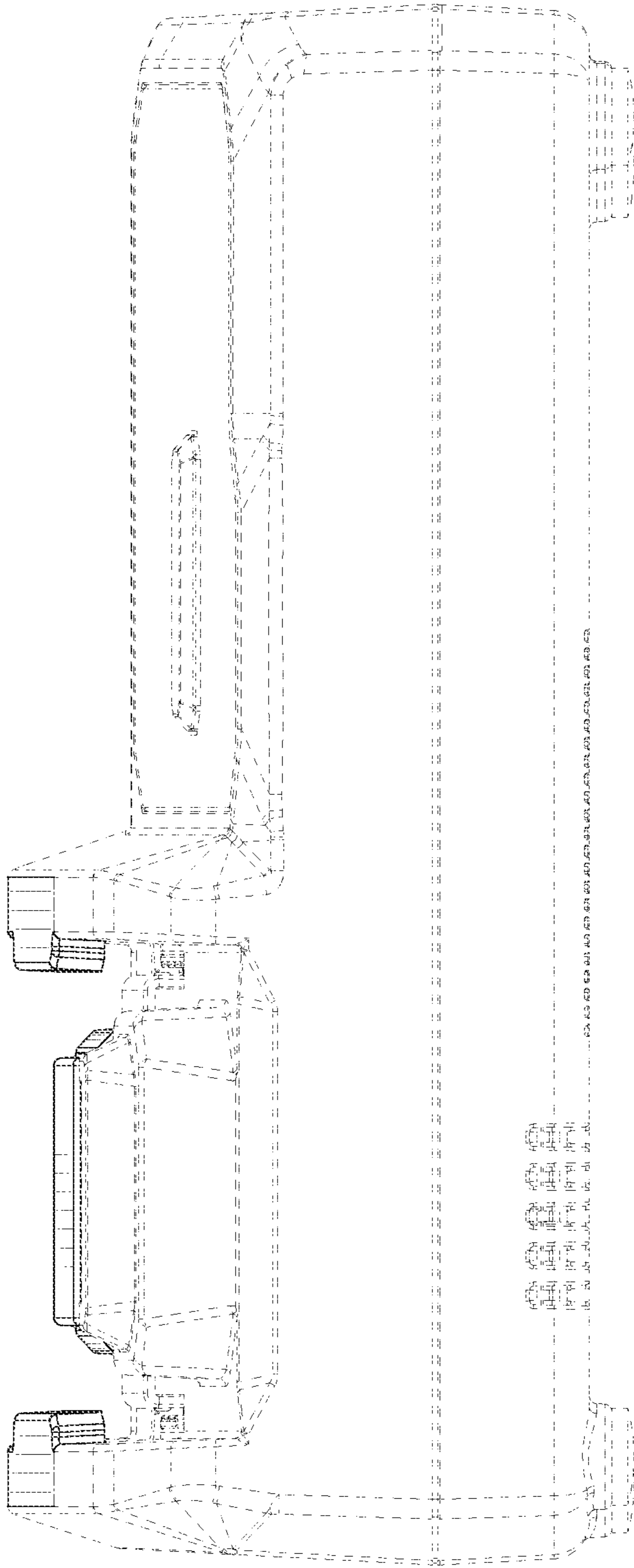


FIG. 5

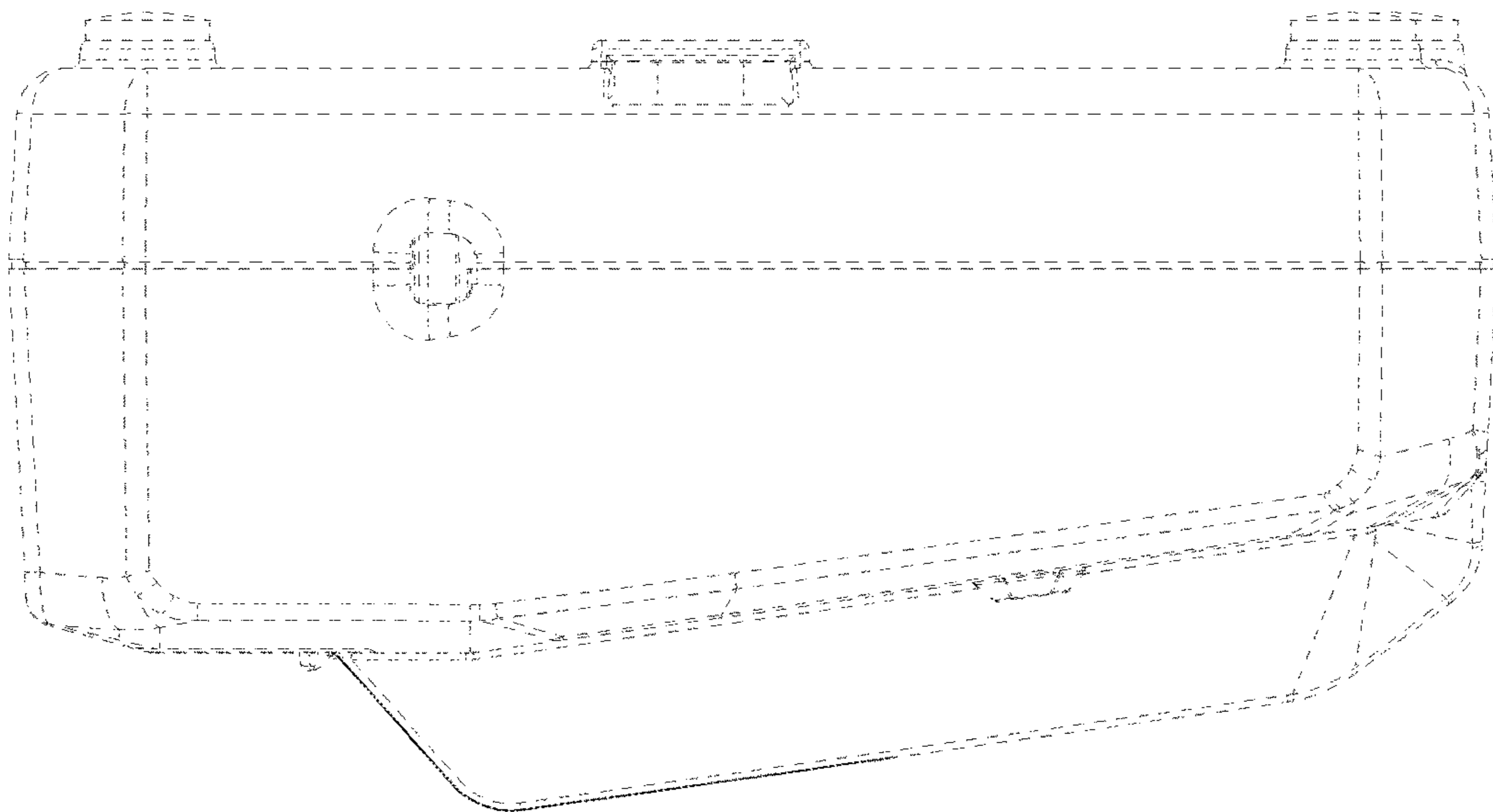


FIG. 6

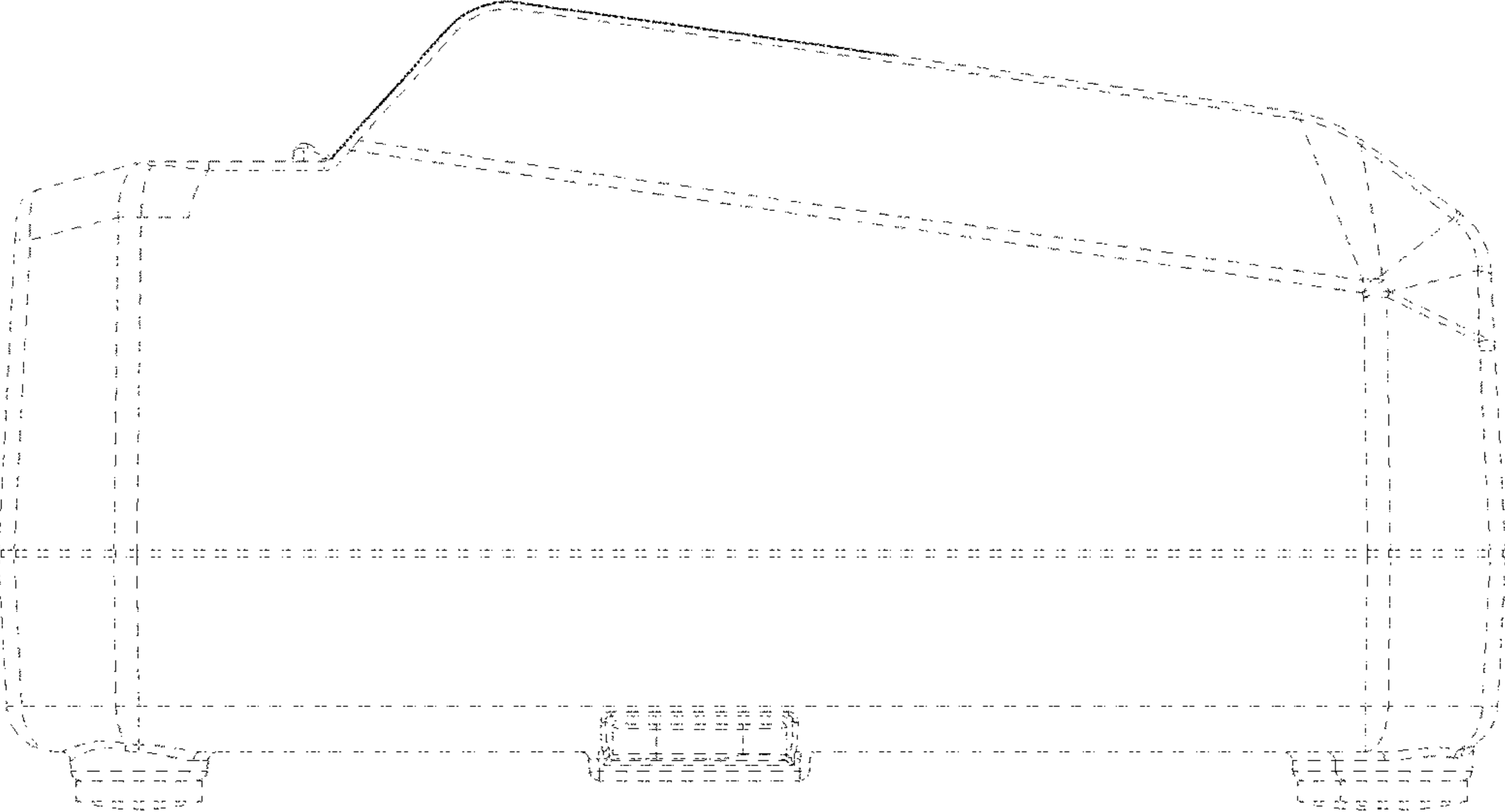


FIG. 7