



US00D963566S

(12) **United States Design Patent**
Huang et al.

(10) **Patent No.:** **US D963,566 S**
(45) **Date of Patent:** **** Sep. 13, 2022**

(54) **ENERGY STORAGE AND POWER SUPPLY DEVICE**

(71) Applicant: **3A TECHNOLOGY CO., LIMITED**,
Shenzhen (CN)

(72) Inventors: **Shisheng Huang**, Shenzhen (CN);
Yongxing Wang, Shenzhen (CN);
Baiguang Zhang, Shenzhen (CN)

(73) Assignee: **3A TECHNOLOGY CO., LIMITED**,
Shenzhen (CN)

(**) Term: **15 Years**

(21) Appl. No.: **29/761,680**

(22) Filed: **Dec. 10, 2020**

(51) **LOC (13) Cl.** **13-02**

(52) **U.S. Cl.**

USPC **D13/107**; D13/103

(58) **Field of Classification Search**

USPC D13/106–110, 118–119, 184; D14/251,
D14/253, 432, 434

CPC Y02T 90/14; H02J 7/025; H02J 7/0042;
H02J 7/0044; H02J 7/0045; H02J 7/0003;
H02J 7/0034; H02J 7/1423; H01F 38/14;
H01R 13/6675; H01M 10/44; H01M
10/46; H01M 10/425

See application file for complete search history.

(56) **References Cited**

U.S. PATENT DOCUMENTS

D654,023 S * 2/2012 Kyle Ching Hao D13/110
D664,499 S * 7/2012 Workman D13/107
D712,834 S * 9/2014 Munro D13/116

D823,797 S * 7/2018 Krantz D13/110
D837,149 S * 1/2019 Yin D13/103
D874,395 S * 2/2020 Sun D13/106
D897,284 S * 9/2020 Sun D13/103
D902,857 S * 11/2020 Jia D13/110
D929,935 S * 9/2021 Yin D13/103
D936,007 S * 11/2021 Huang D13/110
D938,354 S * 12/2021 Sun D13/110
D942,932 S * 2/2022 Yin D13/107
D942,933 S * 2/2022 Yin D13/107

* cited by examiner

Primary Examiner — Nathaniel D. Buckner

(74) *Attorney, Agent, or Firm* — ScienBiziP, P.C.

(57) **CLAIM**

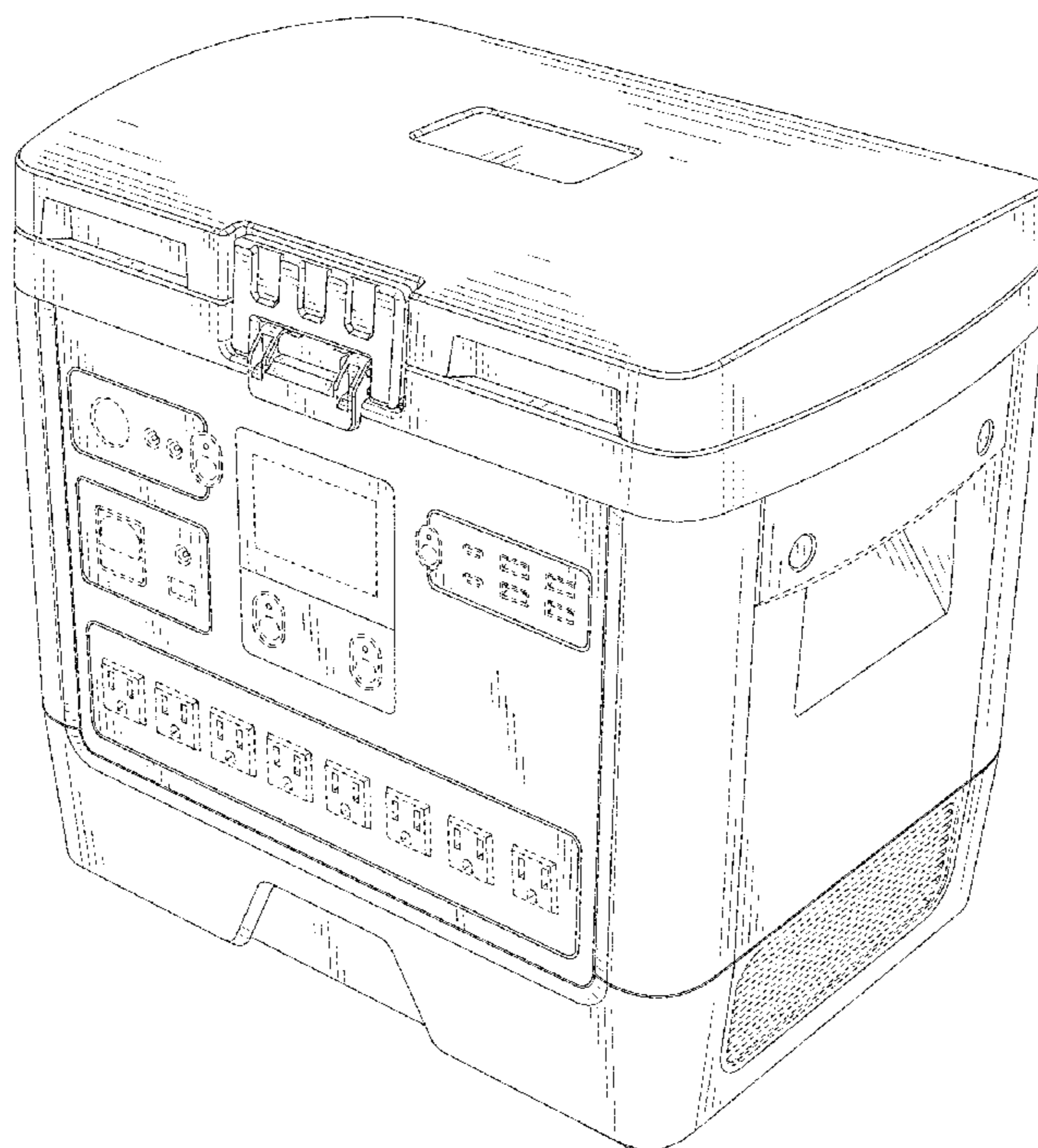
The ornamental design for an energy storage and power supply device, as shown and described.

DESCRIPTION

FIG. 1 is a front, right, and top perspective view of an energy storage and power supply device, showing our design; FIG. 2 is a front elevation view thereof; FIG. 3 is a rear elevation view thereof; FIG. 4 is a left side elevation thereof; FIG. 5 is a right side elevation thereof; FIG. 6 is a top plan view thereof; FIG. 7 is a bottom plan view thereof; FIG. 8 is a second perspective view thereof, shown in an open position; and, FIG. 9 is a third perspective view shown in an environment of use.

The broken lines illustrate portions of the energy storage and power supply device and environmental structure that form no part of the claimed design.

1 Claim, 9 Drawing Sheets



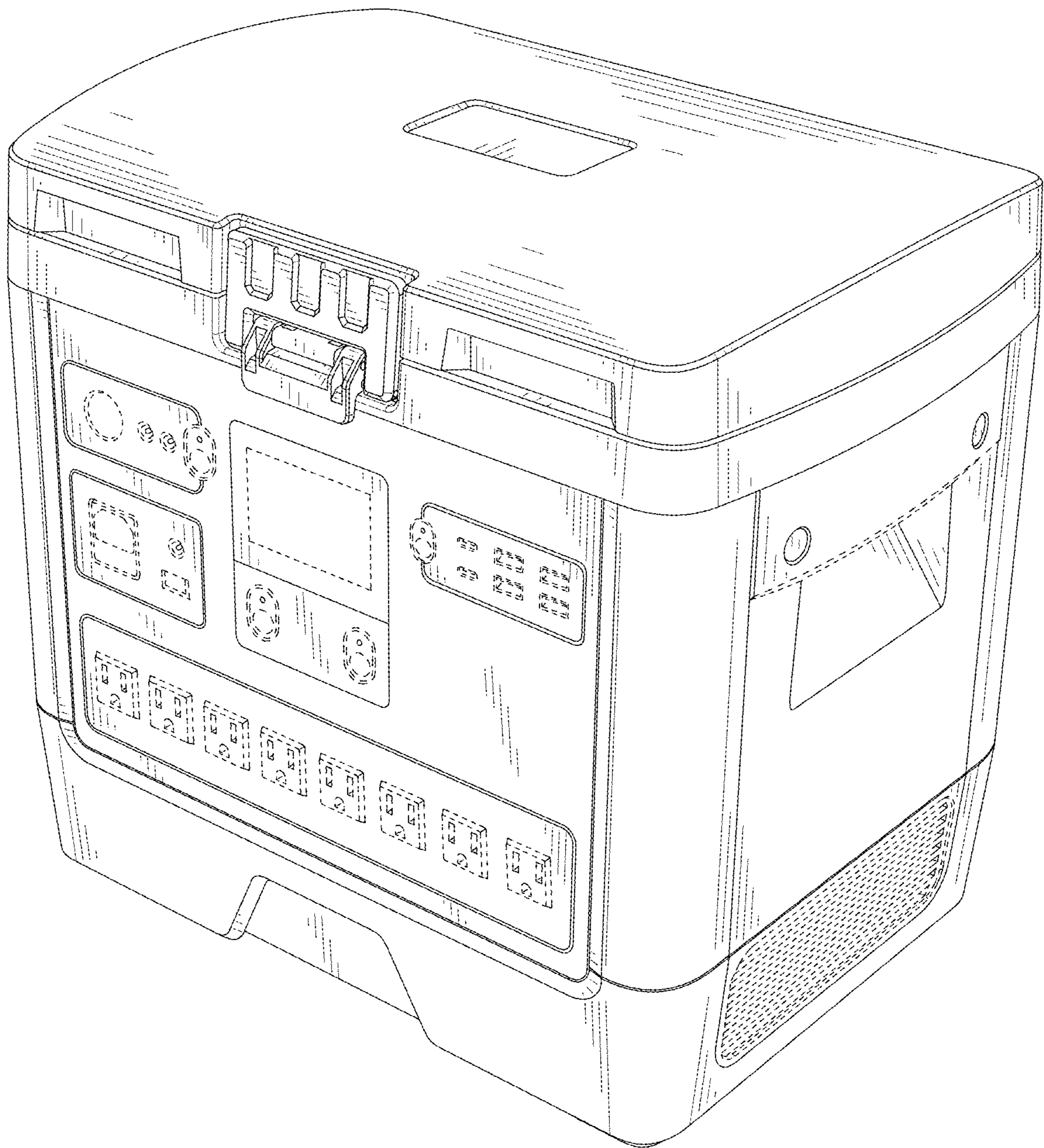


FIG. 1

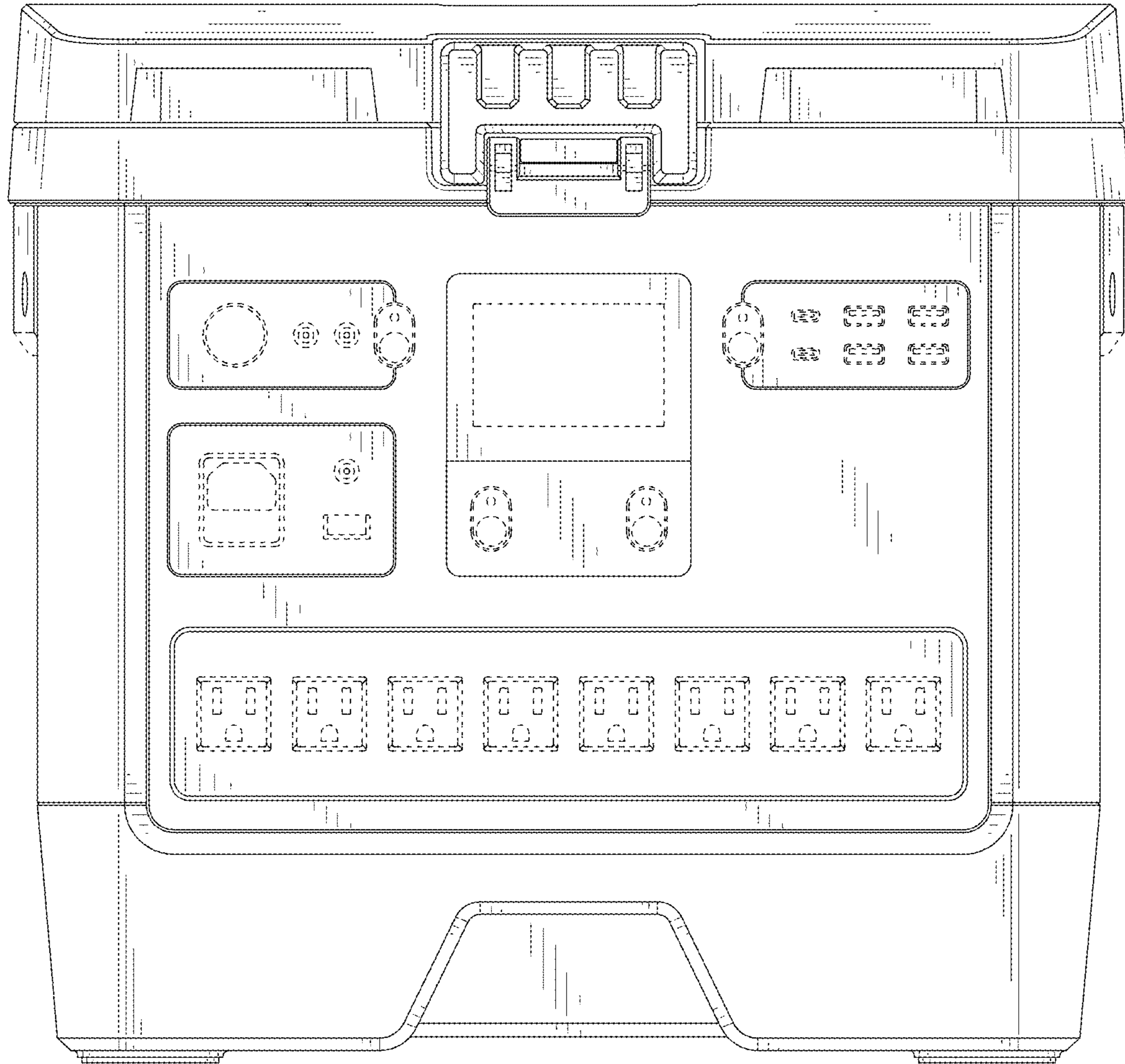


FIG. 2

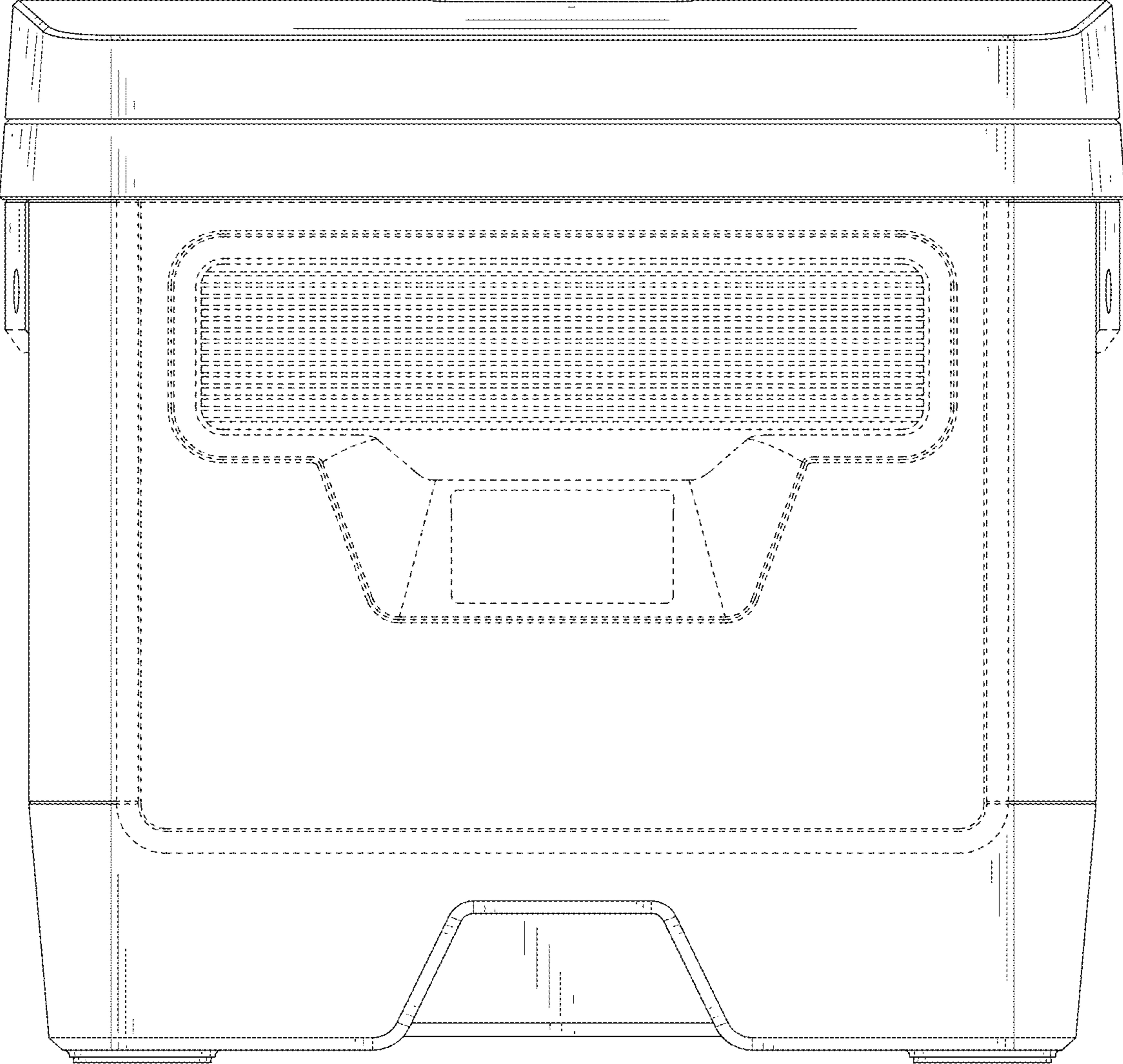


FIG. 3

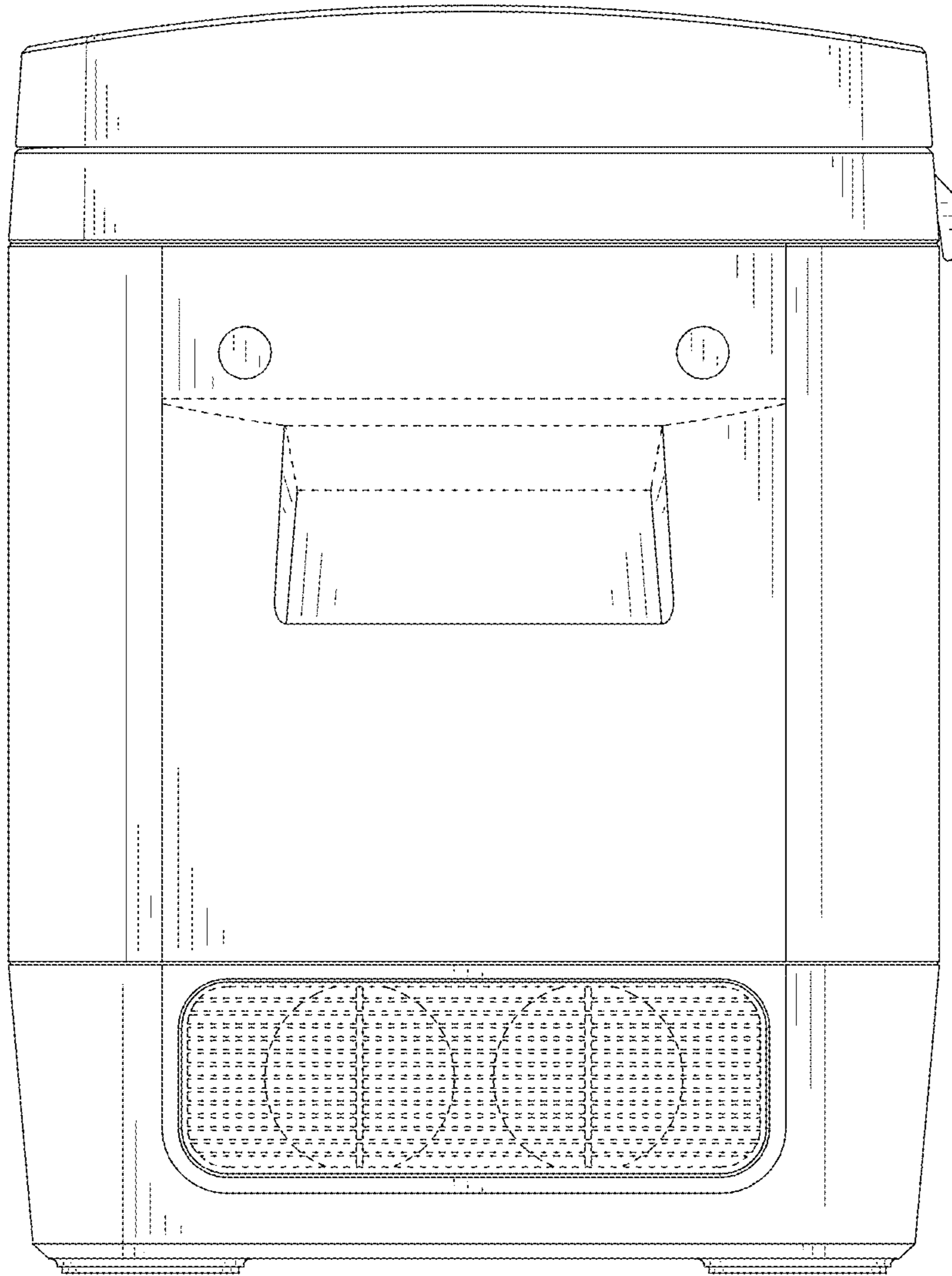


FIG. 4

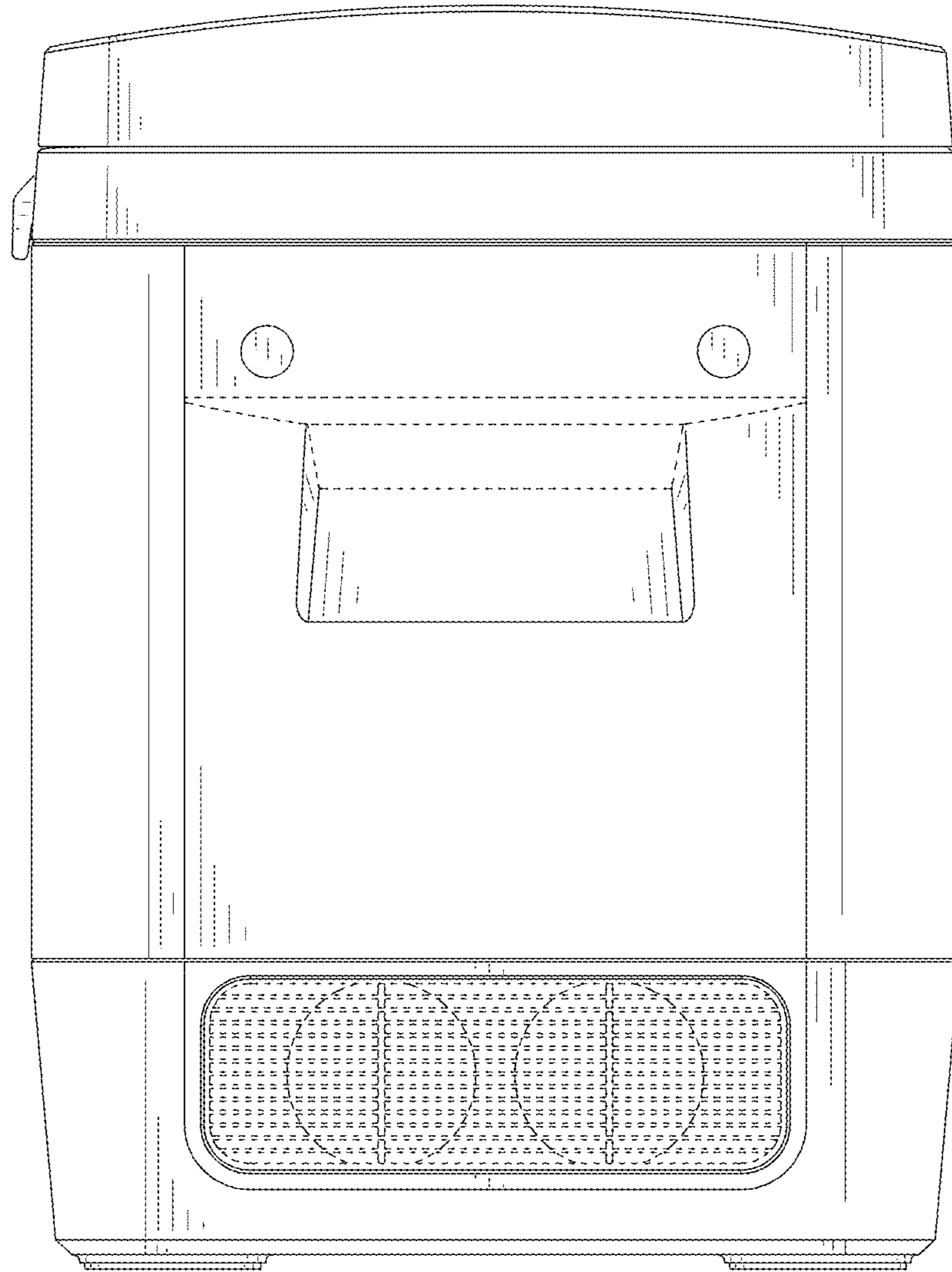


FIG. 5

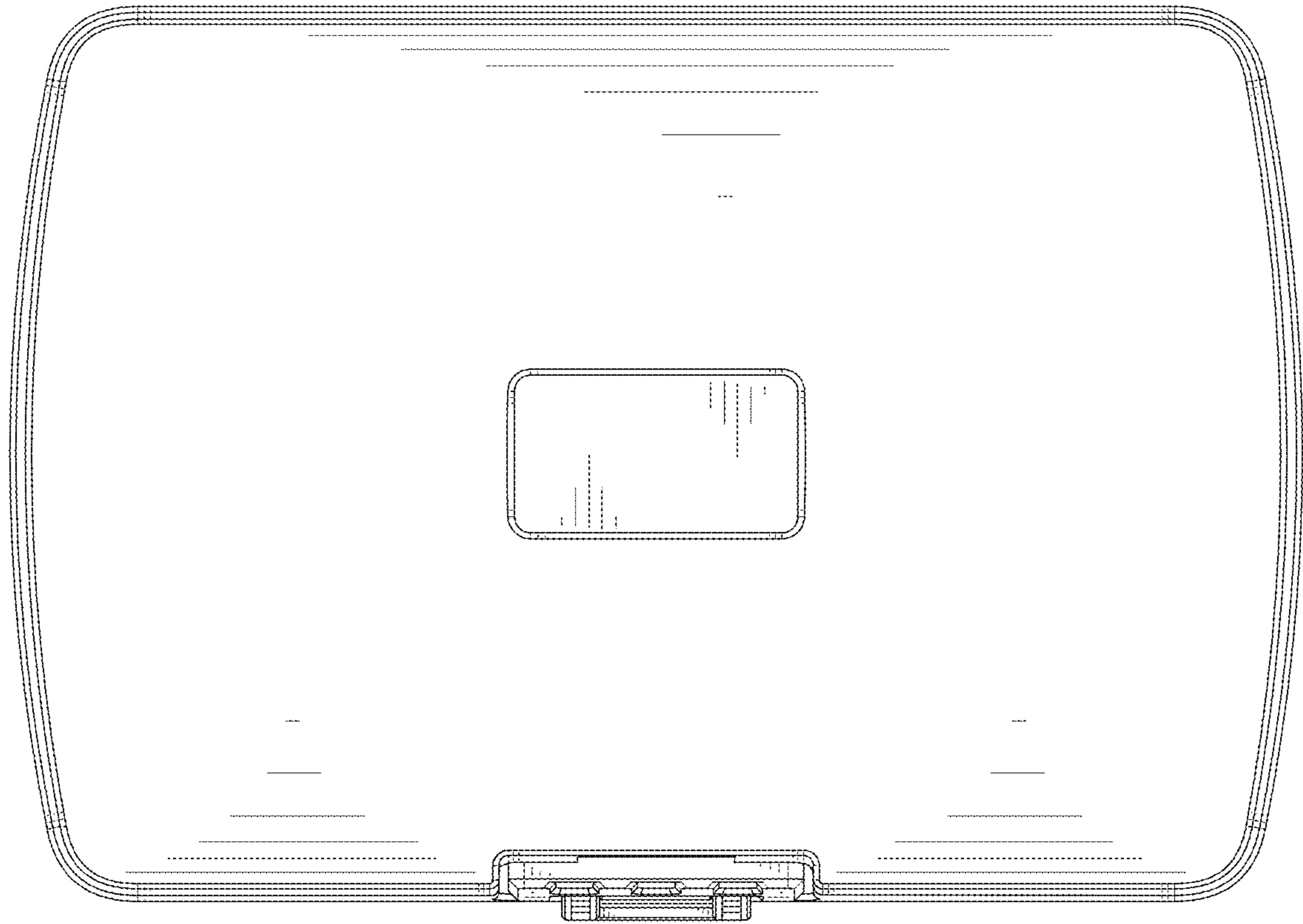


FIG. 6

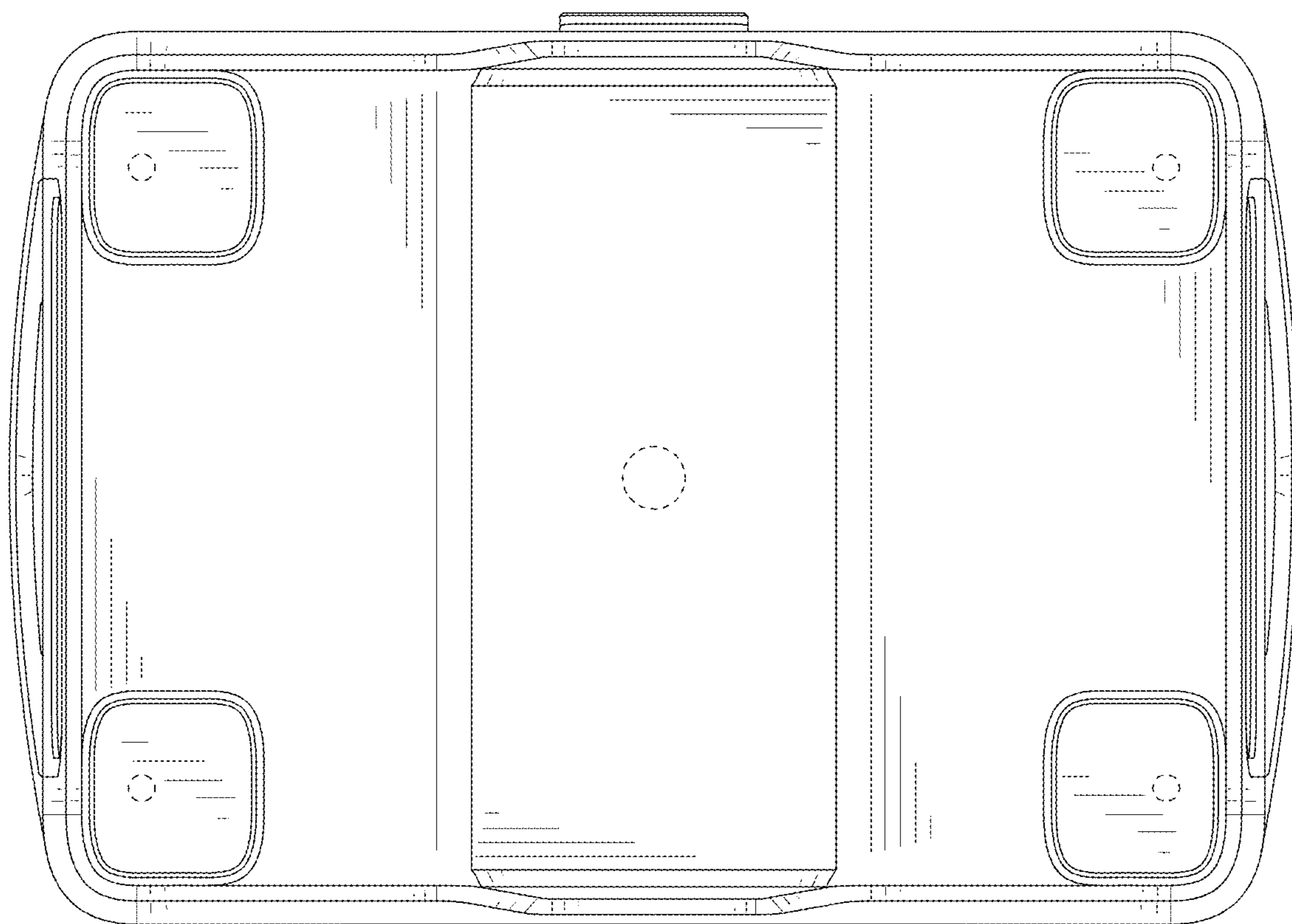


FIG. 7

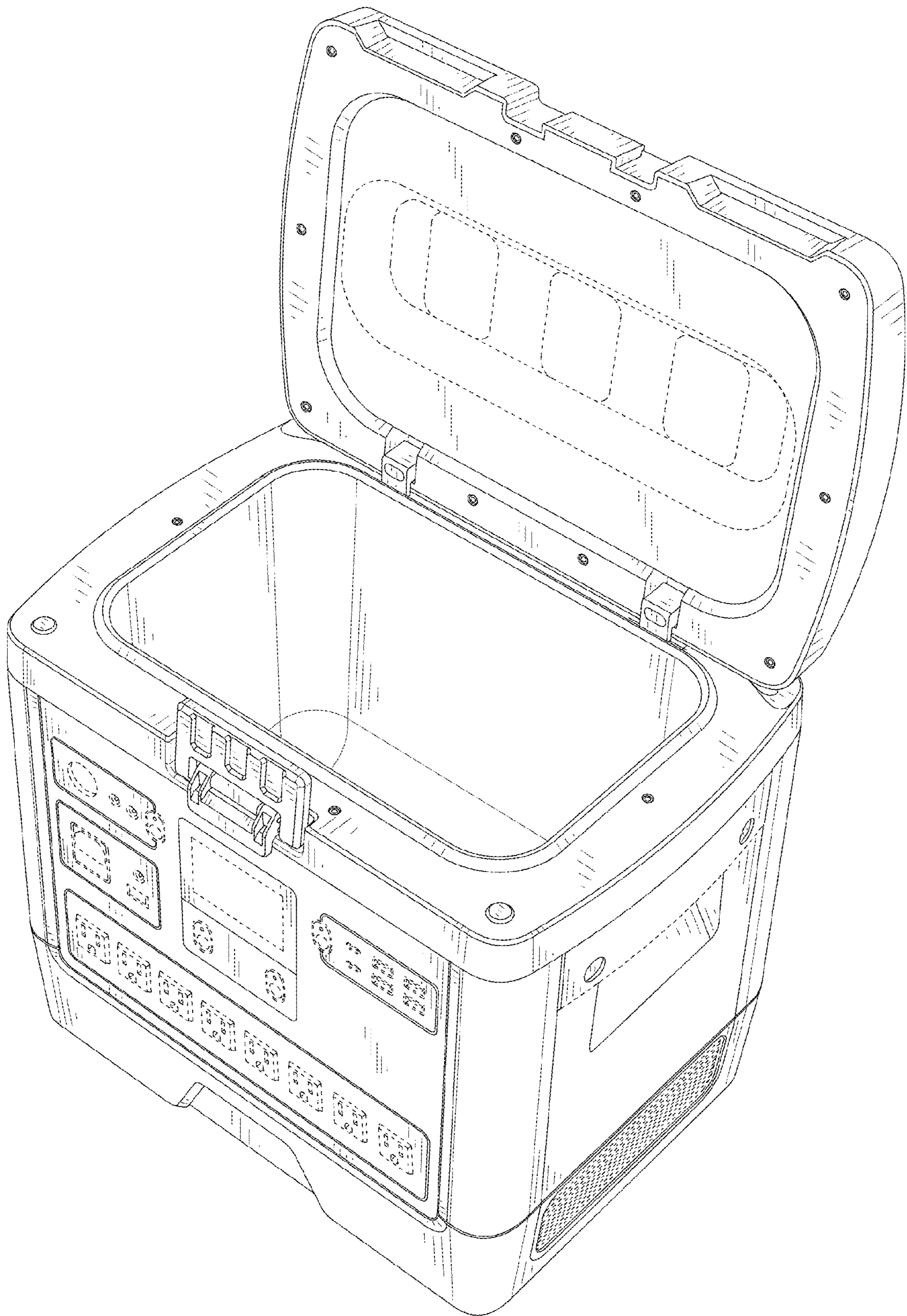


FIG. 8

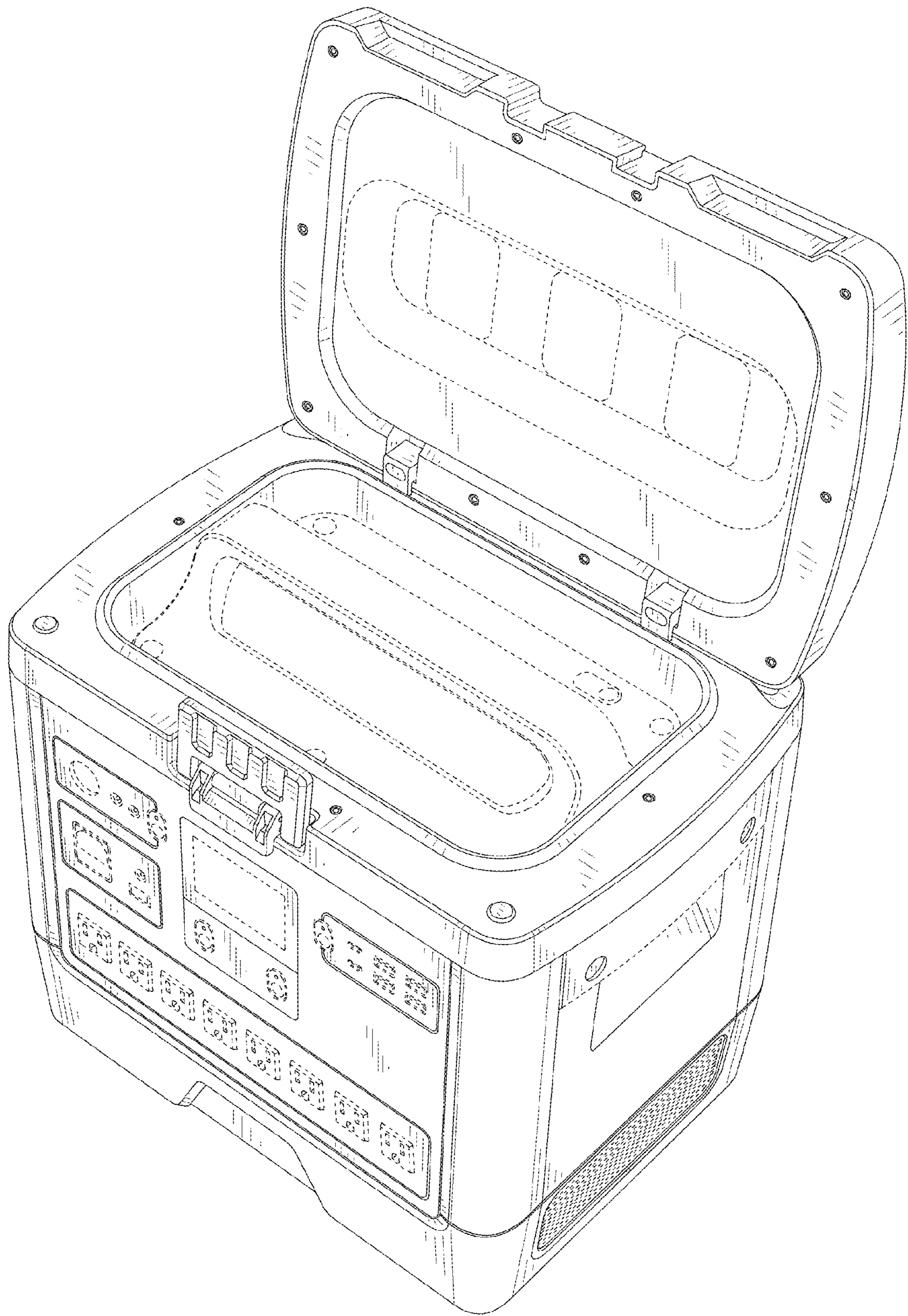


FIG. 9