



US00D963554S

(12) **United States Design Patent**
Proietti et al.

(10) **Patent No.:** **US D963,554 S**
(45) **Date of Patent:** **** Sep. 13, 2022**

(54) **TIRE**

(71) Applicant: **The Goodyear Tire & Rubber Company, Akron, OH (US)**

(72) Inventors: **Julien Vito Proietti, Luxembourg (LU); Jeremy Pierre Haas, Beyren-les-Sierck (FR); Alexander Ossipov, Leuven (BE); Olivier de Barsy, Eischen (LU); Frank Helmut Bucher, Konz (DE)**

(73) Assignee: **The Goodyear Tire & Rubber Company, Akron, OH (US)**

(**) Term: **15 Years**

(21) Appl. No.: **29/768,015**

(22) Filed: **Jan. 27, 2021**

(51) **LOC (13) Cl.** **12-15**

(52) **U.S. Cl.**
USPC **D12/521**

(58) **Field of Classification Search**
USPC D12/500-532, 604
CPC Y10T 152/10027; B60C 1/0016; B60C 11/0306; B60C 11/0302; B60C 3/06; B60C 9/17
See application file for complete search history.

(56) **References Cited**

U.S. PATENT DOCUMENTS

D599,276 S 9/2009 Fontaine et al. D12/519
D601,939 S 10/2009 Fontaine et al. D12/519
D609,161 S 2/2010 Fontaine et al. D12/517

(Continued)

OTHER PUBLICATIONS

U.S. Appl. No. 29/709,318, filed Oct. 14, 2019, Digman, et al., Goodyear.

(Continued)

Primary Examiner — John A Voytek

(74) *Attorney, Agent, or Firm* — Robert N. Lipsik; June E. Rickey

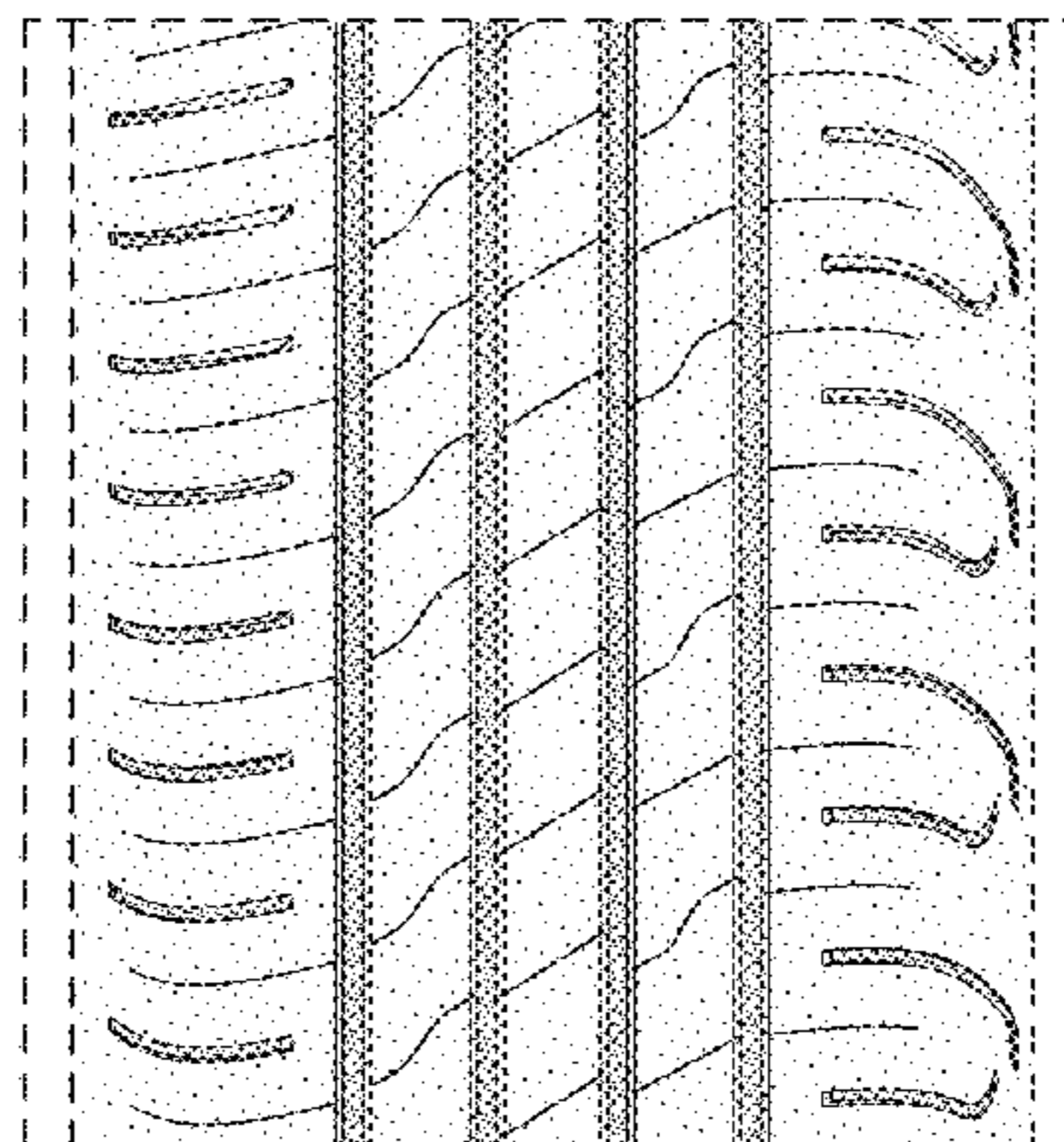
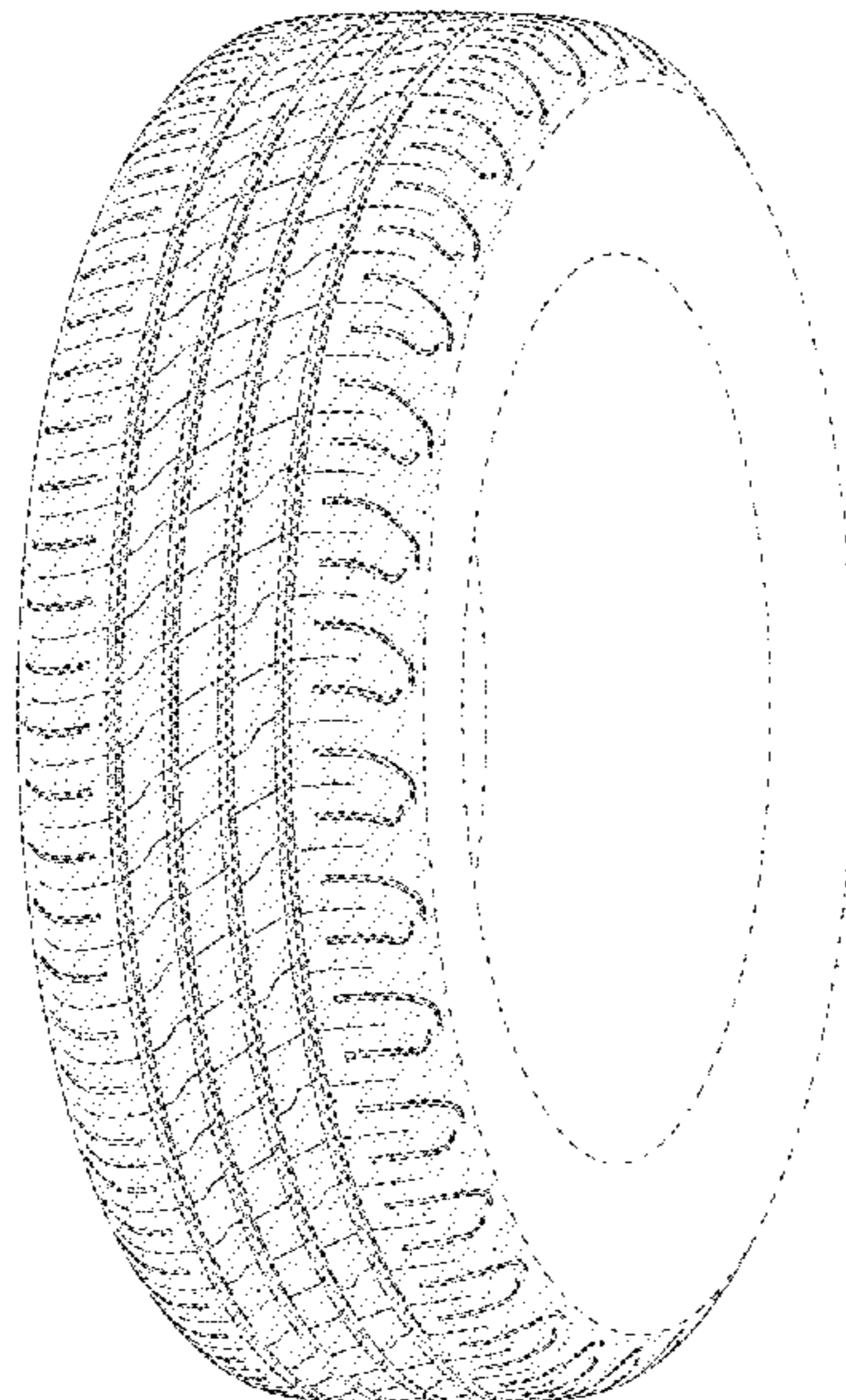
(57) **CLAIM**

The ornamental design for a tire, as shown and described.

DESCRIPTION

FIG. 1 is a right side perspective view of a tire showing our new design, it being understood that the pattern repeats uniformly throughout the circumference of the tread;
FIG. 2 is a left side perspective view thereof;
FIG. 3 is a front elevational view thereof;
FIG. 4 is a right side elevational view thereof;
FIG. 5 is a left side elevational view thereof;
FIG. 6 is an enlarged fragmentary front elevational view thereof taken along Line 6-6 of FIG. 3;
FIG. 7 is a right side perspective view of a second embodiment of a tire showing our new design, it being understood that the interior of the tire forms no part of the claim and that the pattern repeats uniformly throughout the circumference of the tread;
FIG. 8 is a left side perspective view of a second embodiment, it being understood that the interior of the tire forms no part of the claim; and,
FIG. 9 is a front elevational view of a second embodiment, it being understood that an enlarged fragmentary view thereof would be substantially identical to that shown in FIG. 6, with the exception of the inclusion of the sidewall in solid lines.
In the drawings, the broken lines immediately adjacent to the outer edges of the tire shoulder represent boundaries of the claim, and the broken lines depict environmental subject matter only and form no part of the claimed design.
The dashed broken lines indicating an enlargement portion of the design form no part of the claimed design.

1 Claim, 9 Drawing Sheets



(56)

References Cited

U.S. PATENT DOCUMENTS

D609,627 S 2/2010 Frappart et al. D12/523
 D623,586 S 9/2010 Fontaine et al. D12/519
 D626,910 S 11/2010 Bott et al. D12/519
 D634,699 S 3/2011 Fontaine et al. D12/517
 D639,722 S 6/2011 Sieber et al. D12/532
 D644,593 S 9/2011 Fontaine et al. D12/523
 D659,633 S 5/2012 Bindner et al. D12/521
 D665,335 S 8/2012 Baumard et al. D12/517
 D666,137 S 8/2012 Sieber et al. D12/517
 D667,358 S 9/2012 Fontaine et al. D12/518
 D679,241 S 4/2013 Fehl et al. D12/524
 D692,371 S 10/2013 Fontaine et al. D12/517
 D715,214 S 10/2014 Fontaine et al. D12/523
 D730,269 S 5/2015 Maxwell et al. D12/523
 D737,751 S 9/2015 Bourel et al. D12/521
 D768,054 S 10/2016 Wang et al. D12/523
 D771,554 S 11/2016 Garcia et al. D12/574
 D771,555 S 11/2016 Neary et al. D12/584
 D786,176 S * 5/2017 Colletti D12/604
 D786,775 S * 5/2017 Hayashi D12/521
 D795,164 S 8/2017 Philipot et al. D12/521

D795,790 S 8/2017 Simon et al. D12/517
 D799,407 S 10/2017 Philipot et al. D12/521
 D802,521 S * 11/2017 Bonnamour D12/521
 D805,461 S 12/2017 Majerus et al. D12/523
 D806,003 S 12/2017 Pribula D12/521
 D823,233 S 7/2018 Fontaine et al. D12/519
 D852,117 S 6/2019 Meetarbhan et al. D12/517
 D867,265 S 11/2019 Proietti et al. D12/523
 D869,382 S * 12/2019 Speziari D12/521
 D887,342 S * 6/2020 Moia D12/521
 D892,030 S * 8/2020 Sabetti D12/521
 D892,031 S * 8/2020 Sabetti D12/521
 D894,097 S * 8/2020 Kotlas D12/519
 D940,642 S * 1/2022 Pribula D12/588

OTHER PUBLICATIONS

U.S. Appl. No. 29/717,544, filed Dec. 18, 2019, Pautard, et al.,
 Goodyear.
 U.S. Appl. No. 29/717,575, filed Dec. 18, 2019, Pautard, et al.,
 Goodyear.

* cited by examiner

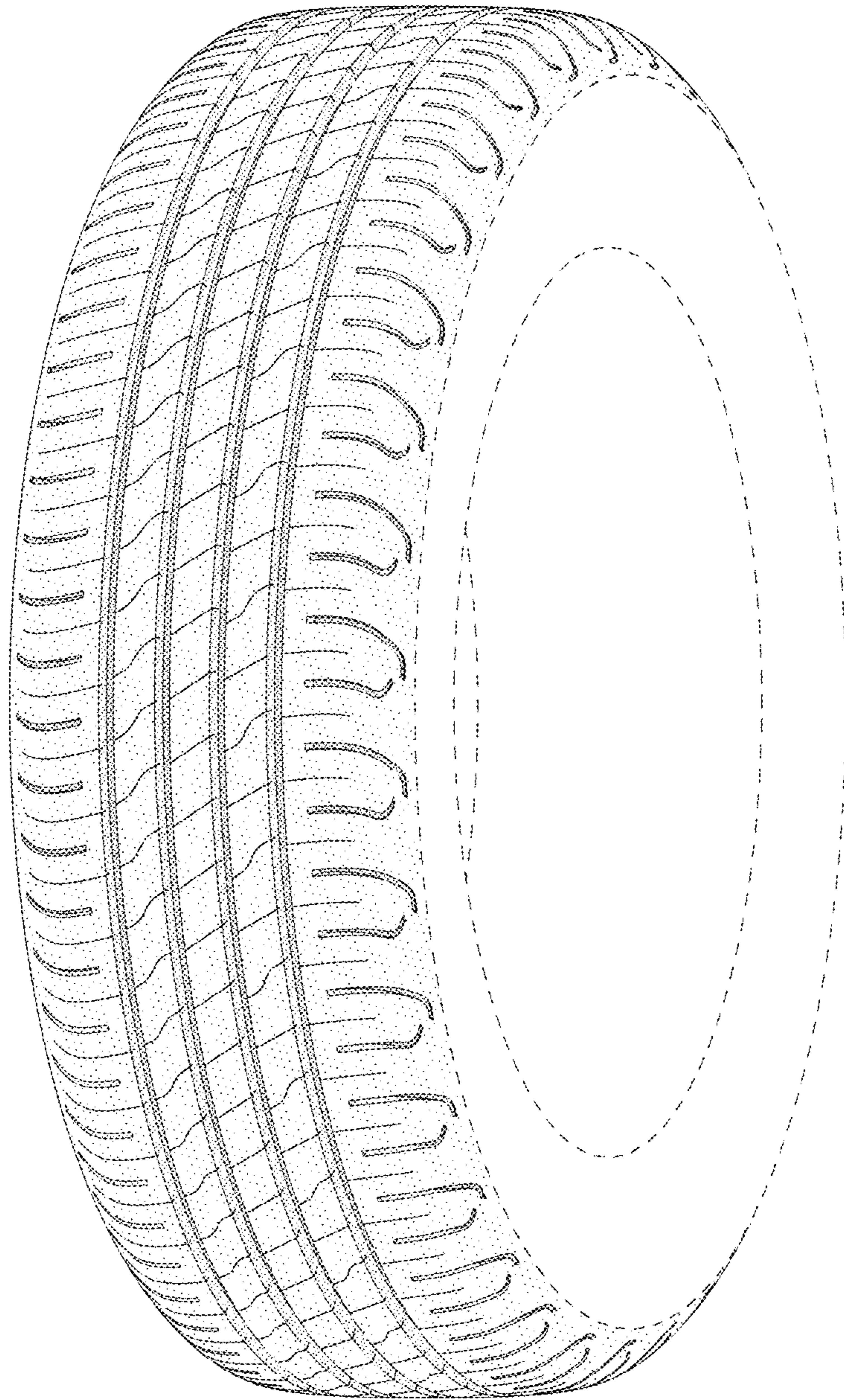


FIG - 1

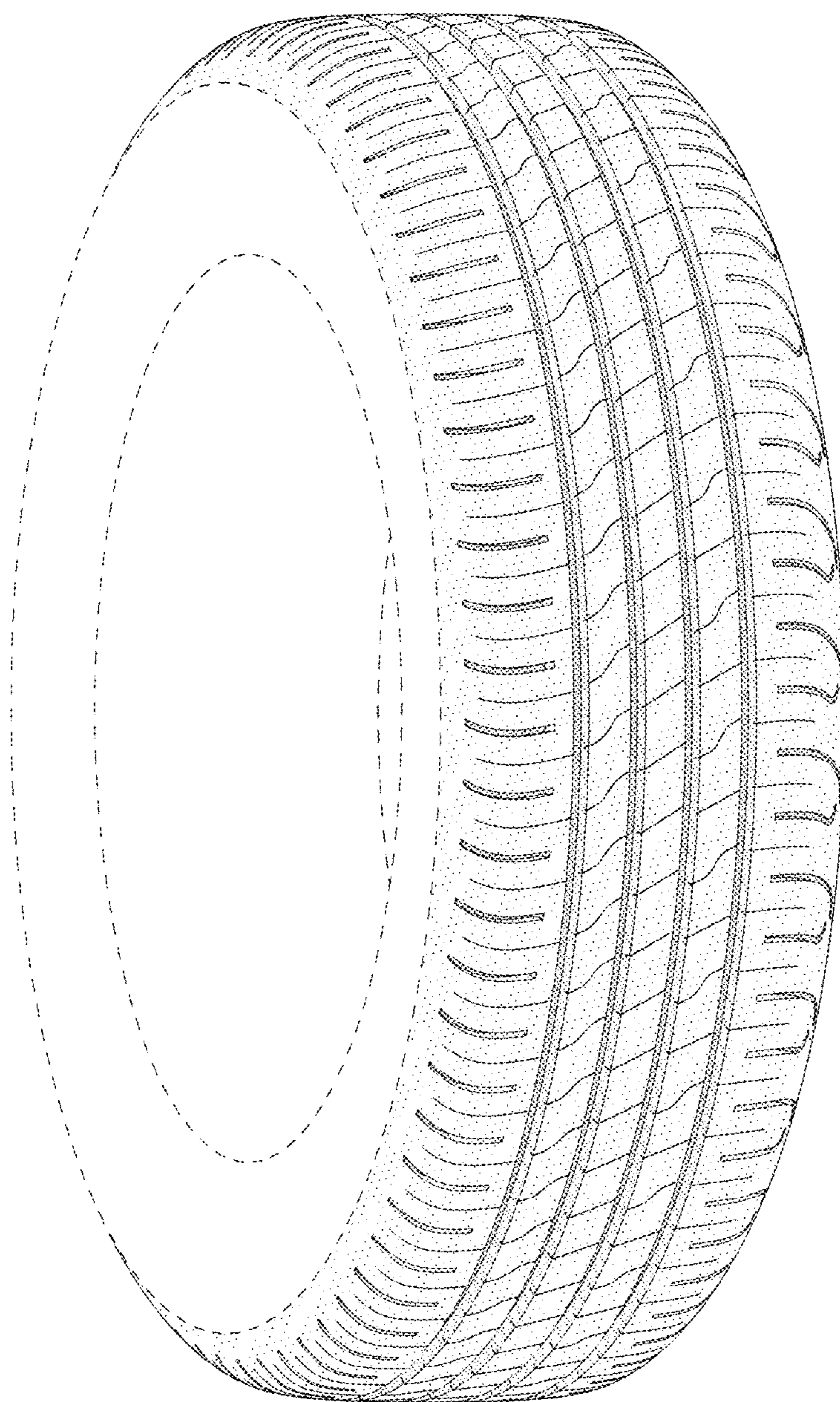


FIG - 2

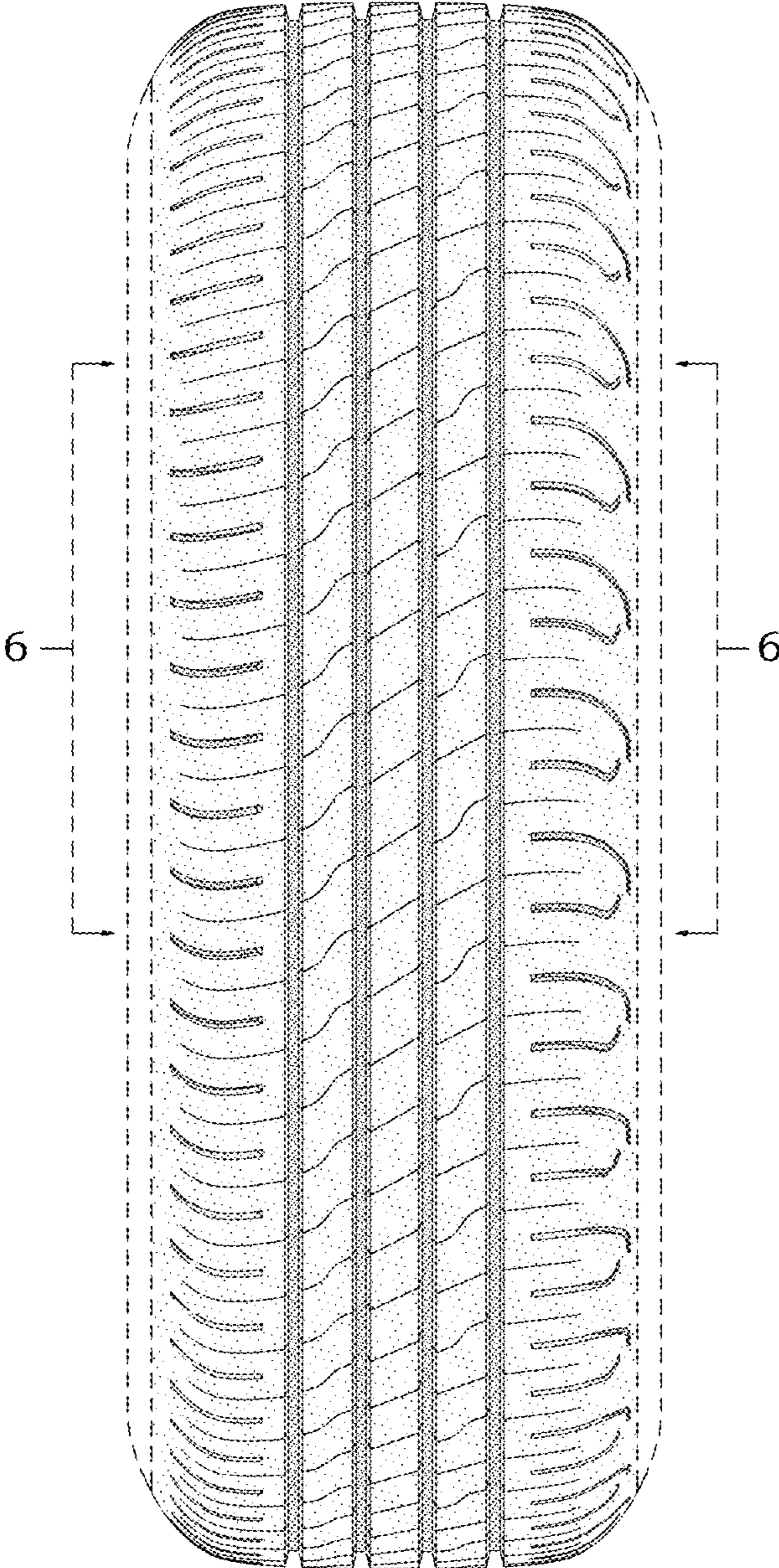


FIG - 3

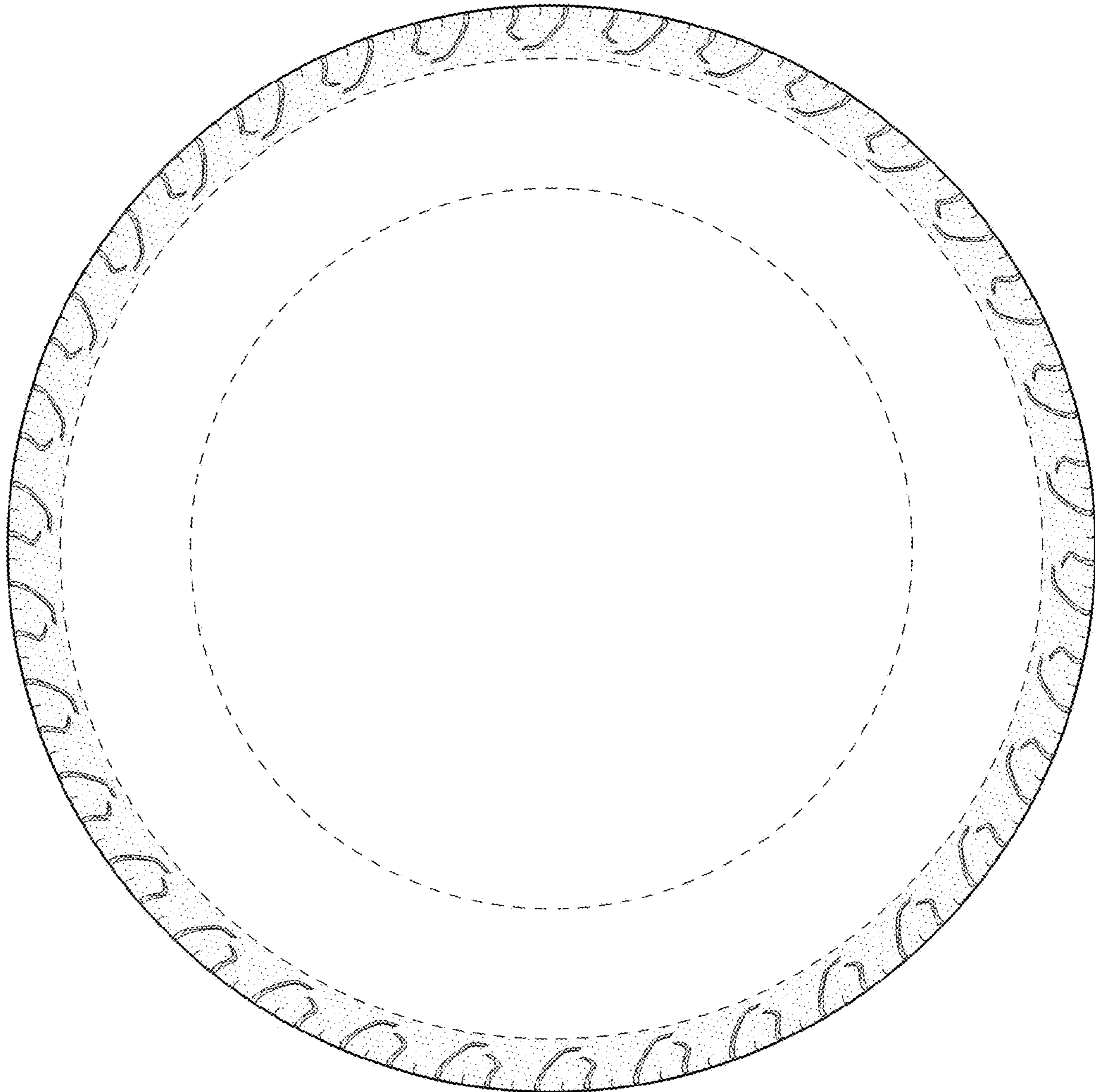


FIG - 4

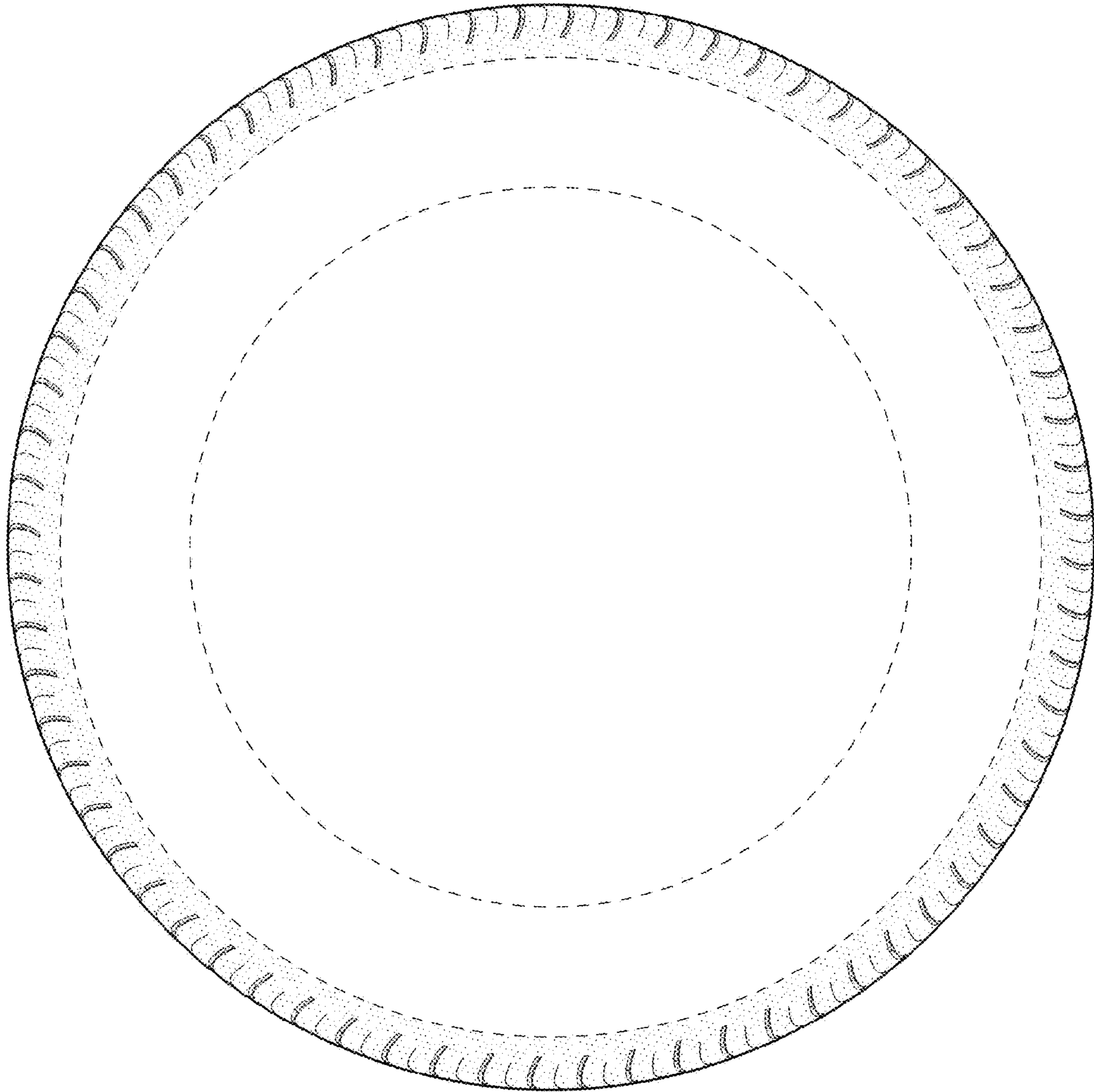


FIG - 5

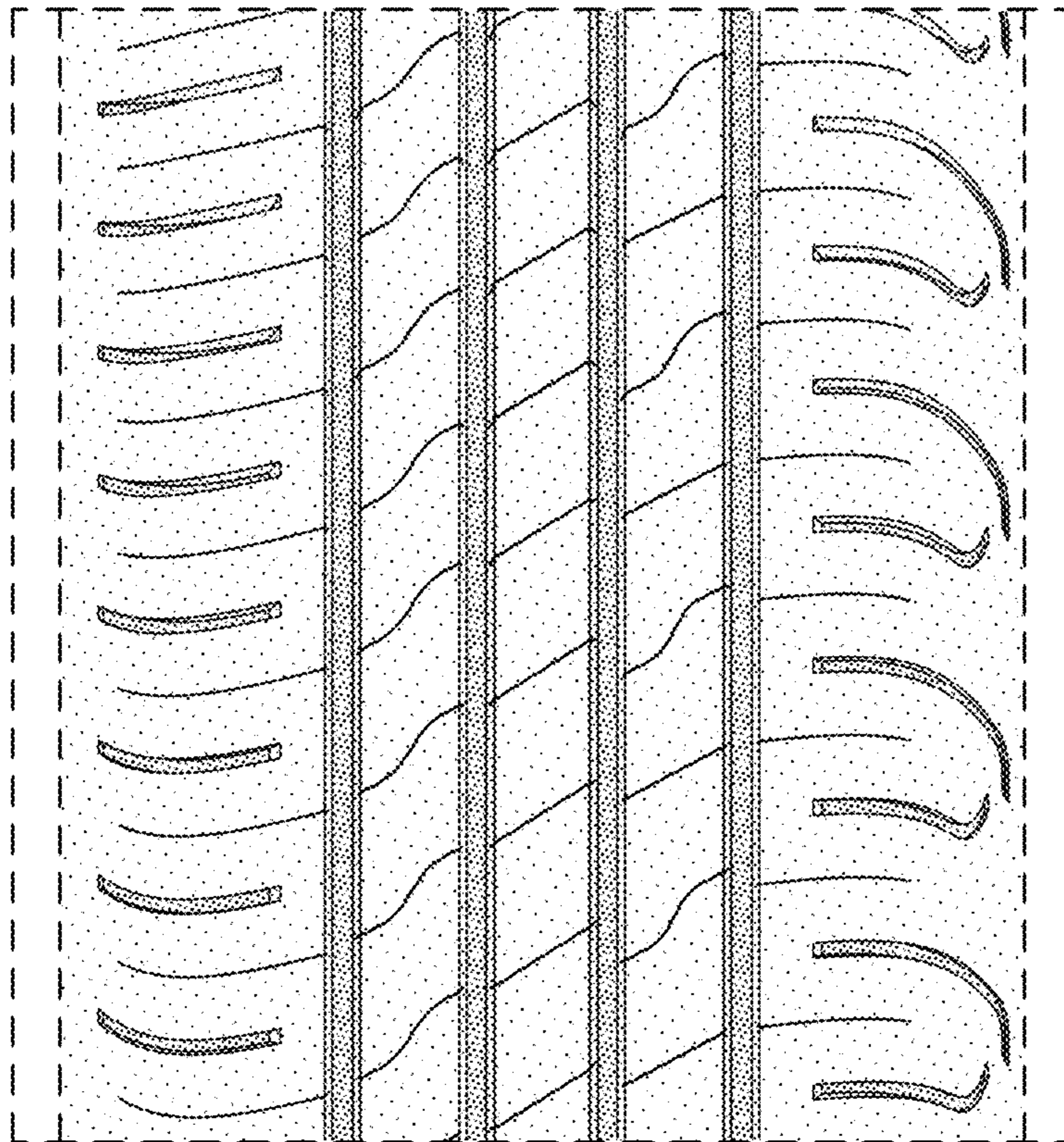


FIG - 6

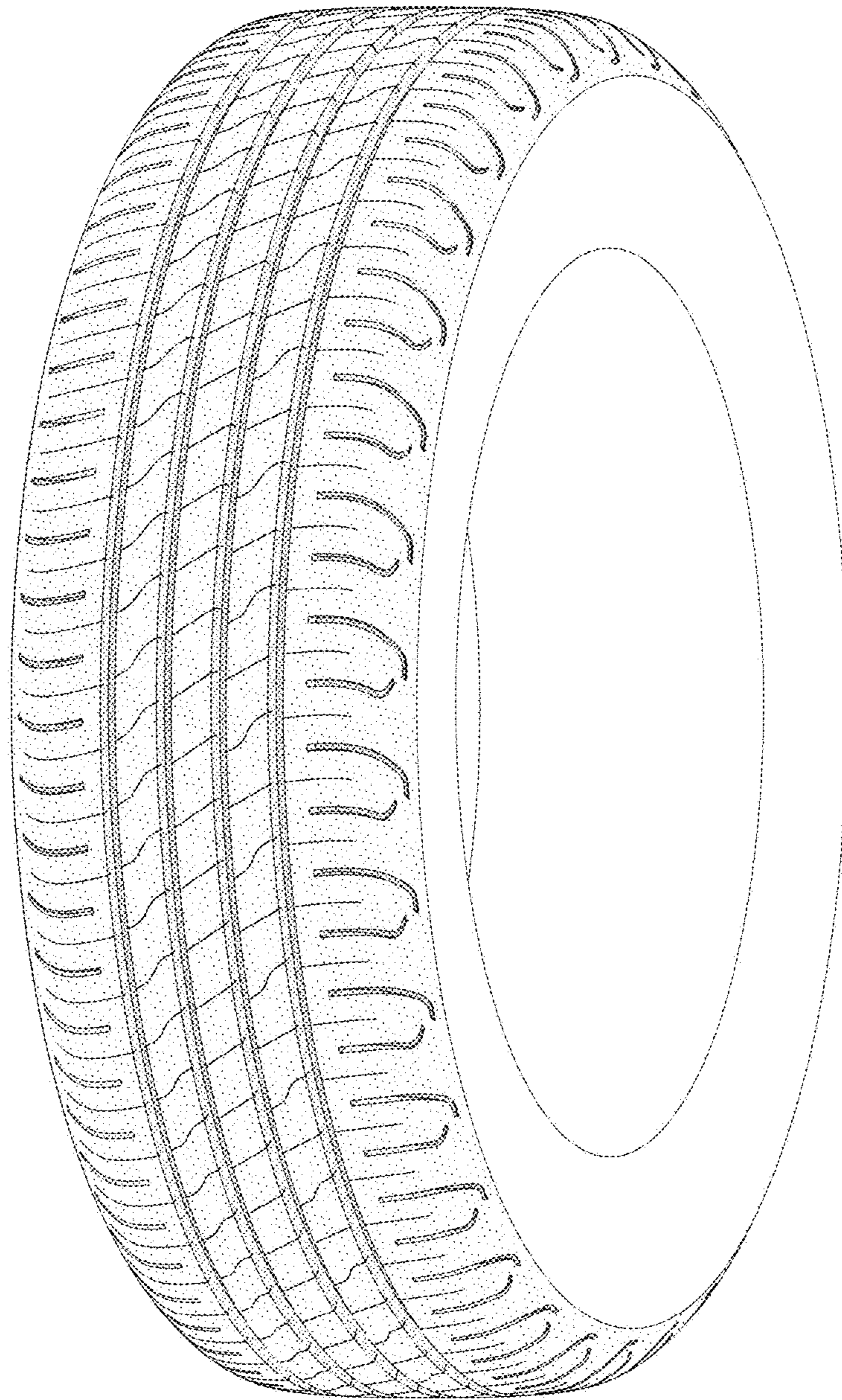


FIG - 7

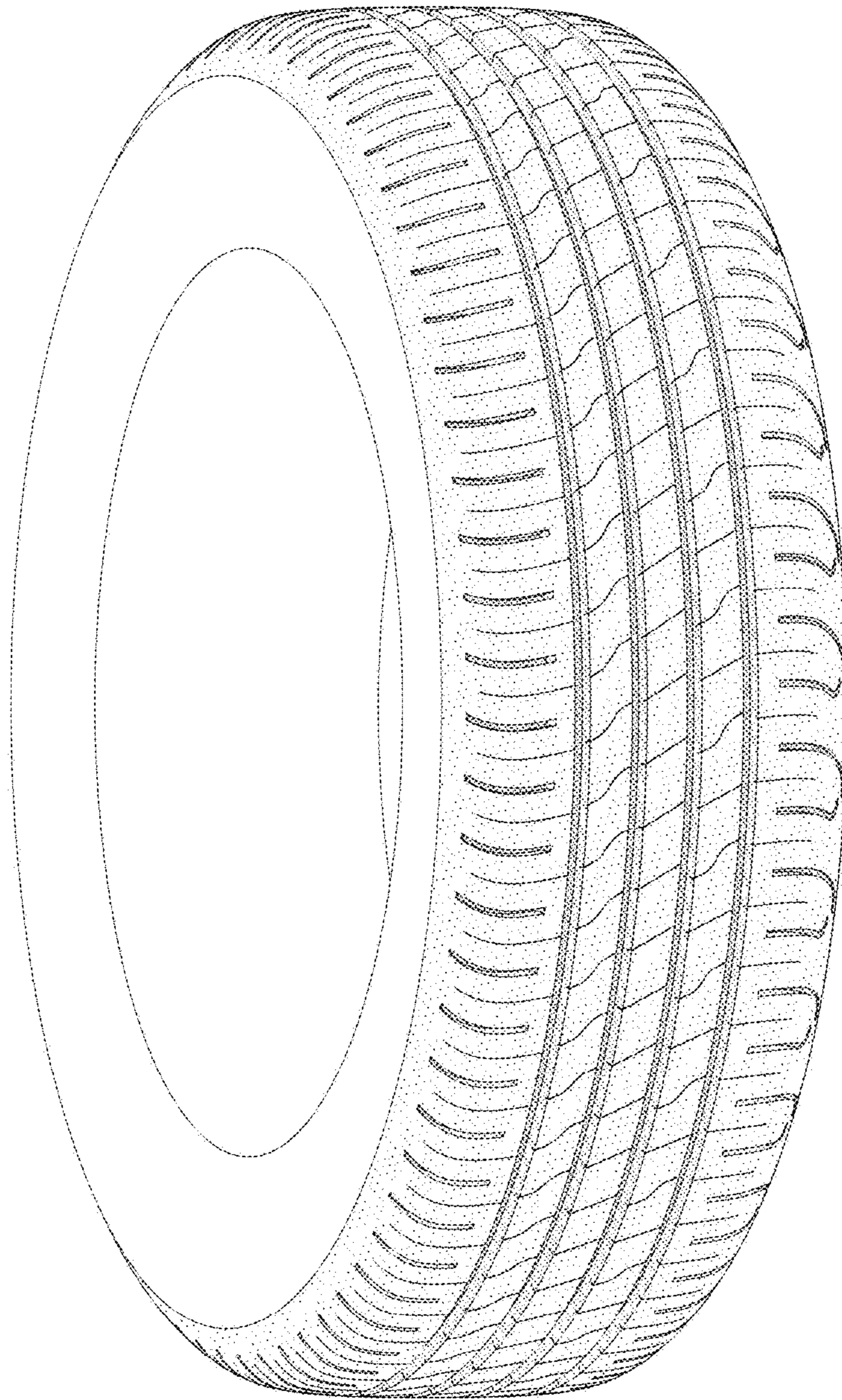


FIG - 8

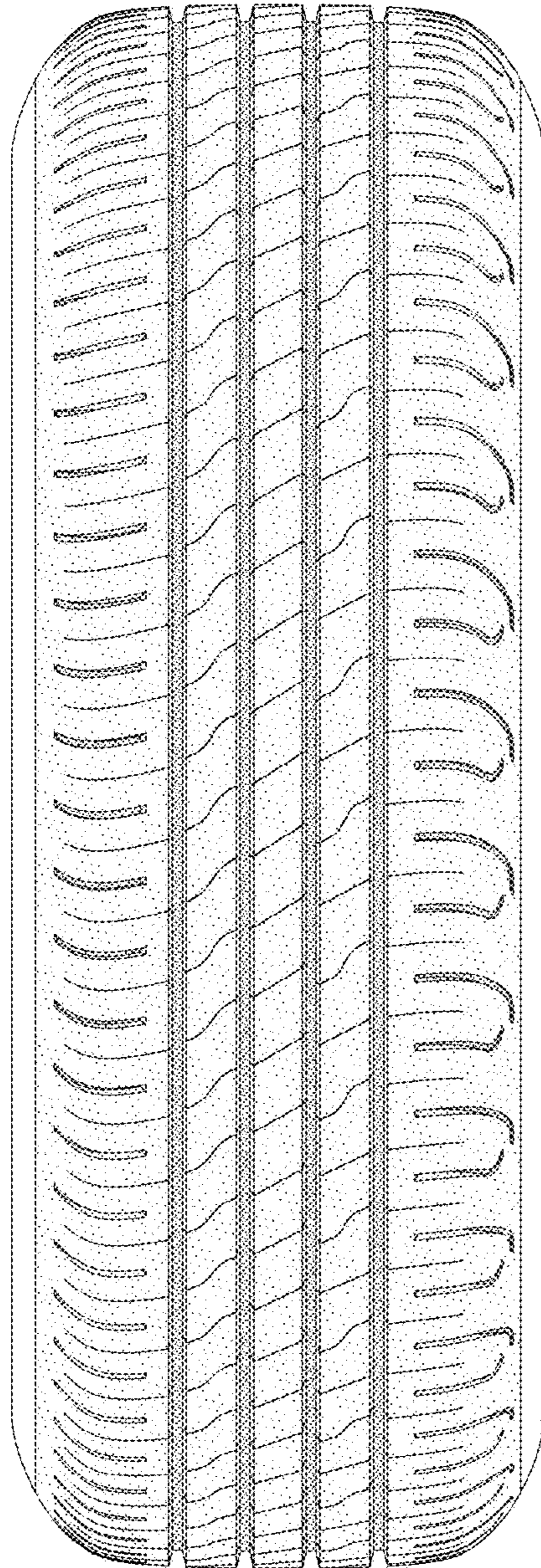


FIG - 9