



US00D963553S

(12) **United States Design Patent** (10) **Patent No.:** **US D963,553 S**
Bokken et al. (45) **Date of Patent:** **** Sep. 13, 2022**

(54) **TIRE**

(71) Applicant: **The Goodyear Tire & Rubber Company, Akron, OH (US)**

(72) Inventors: **Stephane Laurent Claude Bokken, Vielsalm (BE); Sebastien Willy Fontaine, Vichten (LU); Samy Laroussi Mzabi, Ettelbruck (LU); Sebastien Penin, Mertzig (LU); Armand Rene Gabriel Leconte, Insensborn (LU)**

(73) Assignee: **The Goodyear Tire & Rubber Company, Akron, OH (US)**

(**) Term: **15 Years**

(21) Appl. No.: **29/756,520**

(22) Filed: **Oct. 29, 2020**

(51) **LOC (13) Cl.** **12-15**

(52) **U.S. Cl.**
USPC **D12/521**

(58) **Field of Classification Search**
USPC D12/500-532, 604
CPC Y10T 152/10027; B60C 1/0016; B60C 11/0306; B60C 11/0302; B60C 3/06; B60C 9/17

See application file for complete search history.

(56) **References Cited**

U.S. PATENT DOCUMENTS

D579,855 S	*	11/2008	Fontaine	D12/521
D593,931 S	*	6/2009	Fontaine	D12/523
D599,276 S		9/2009	Fontaine et al.		
D599,277 S	*	9/2009	Froger	D12/521
D599,728 S	*	9/2009	Froger	D12/521
D600,193 S		9/2009	Nukala et al.		
D601,939 S		10/2009	Fontaine et al.		
D634,699 S		3/2011	Fontaine et al.		

(Continued)

Primary Examiner — John A Voytek

(74) *Attorney, Agent, or Firm* — Robert N. Lipsik; June E. Rickey

(57) **CLAIM**

The ornamental Design for a tire, as shown and described.

DESCRIPTION

FIG. 1 is a right side perspective view of a tire showing our new design, it being understood that the pattern repeats uniformly throughout the circumference of the tread;

FIG. 2 is a left side perspective view thereof;

FIG. 3 is a front elevational view thereof;

FIG. 4 is a right side elevational view thereof;

FIG. 5 is a left side elevational view thereof;

FIG. 6 is an enlarged fragmentary front elevational view thereof taken along Line 6-6 of FIG. 3;

FIG. 7 is a right side perspective view of a second embodiment of a tire showing our new design, it being understood that the interior of the tire forms no part of the claim and that the pattern repeats uniformly throughout the circumference of the tread;

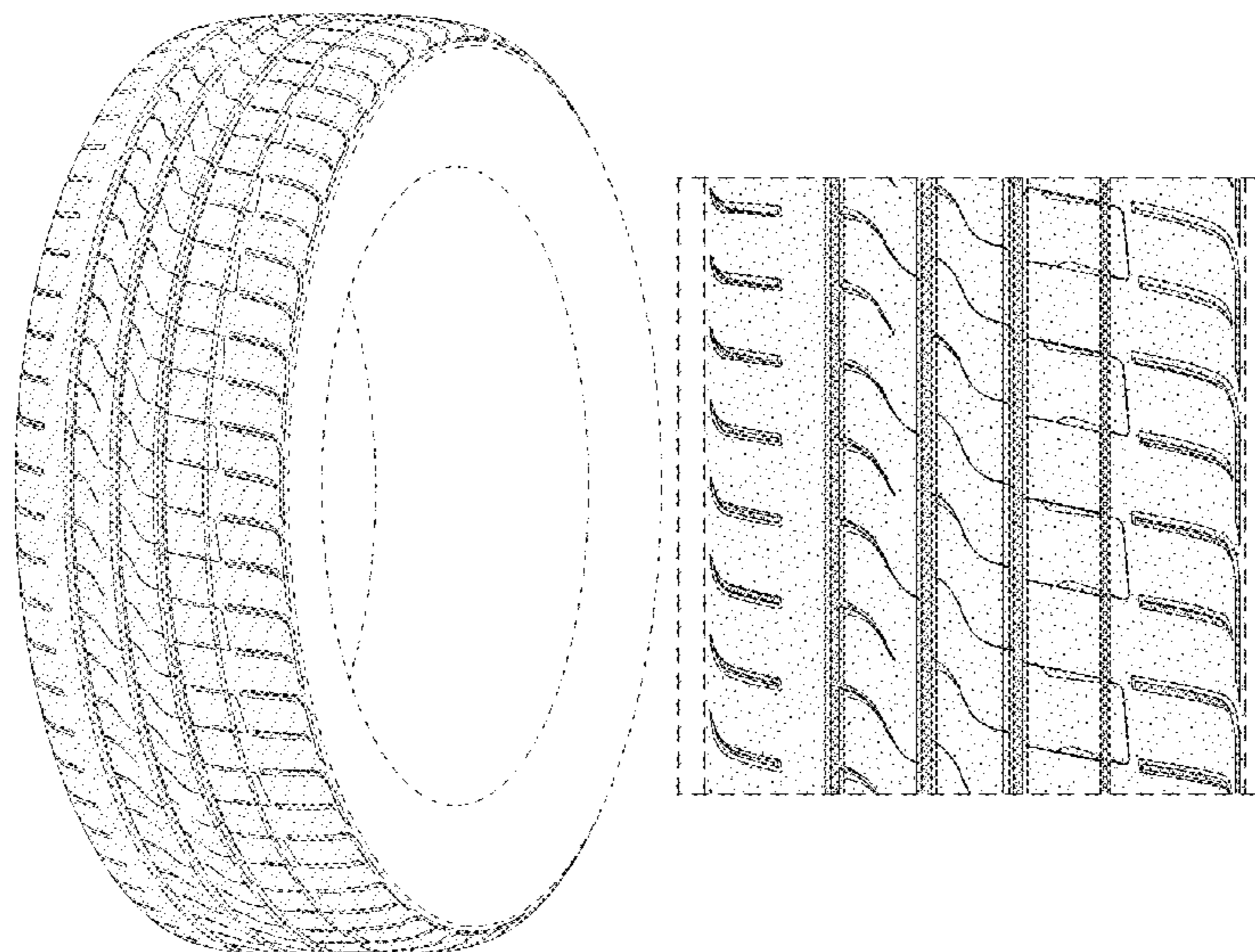
FIG. 8 is a left side perspective view of a second embodiment, it being understood that the interior of the tire forms no part of the claim; and,

FIG. 9 is a front elevational view of a second embodiment, it being understood that an enlarged fragmentary view thereof would be substantially identical to that shown in FIG. 6, with the exception of the inclusion of the sidewall in solid lines.

In the drawings, the broken lines immediately adjacent to the outer edges of the tire shoulder represent boundaries of the claim, and the broken lines depict environmental subject matter only and form no part of the claimed design.

The dashed broken lines indicating an enlargement portion of the design form no part of the claimed design.

1 Claim, 9 Drawing Sheets



(56)

References Cited

U.S. PATENT DOCUMENTS

D644,593 S	9/2011	Fontaine et al.	D791,063 S	7/2017	Simon et al.	
D665,335 S	8/2012	Baumard et al.	D791,064 S	7/2017	Bokken et al.	
D665,336 S	8/2012	Skurich et al.	D795,164 S	8/2017	Philipot et al.	
D667,358 S	9/2012	Fontaine et al.	D795,165 S	8/2017	Philipot et al.	
D679,241 S	4/2013	Fehl et al.	D797,652 S	9/2017	Bokken	
D694,702 S *	12/2013	Leconte D12/521	D799,407 S	10/2017	Philipot et al.	
D700,884 S	3/2014	Herbeuval et al.	D810,673 S *	2/2018	Villamizar D12/590	
D708,116 S	7/2014	Caron et al.	D821,298 S	6/2018	Fontaine et al.	
D709,434 S *	7/2014	Kato D12/521	D823,232 S	7/2018	Bode et al.	
D713,778 S	9/2014	Muthigi et al.	D823,233 S	7/2018	Fontaine et al.	
D744,406 S	12/2015	Alsina	D852,117 S	6/2019	Meetarbhan et al.	
D753,054 S	4/2016	Fujita	D864,847 S *	10/2019	Zhang D12/588	
D761,726 S	7/2016	Umstot et al.	D867,266 S	11/2019	Woelffel et al.	
D771,554 S	11/2016	Garcia et al.	D870,647 S *	12/2019	Wang D12/521	
D771,555 S	11/2016	Neary et al.	D883,903 S *	5/2020	Horiguchi D12/521	
D780,669 S	3/2017	Takahashi	D892,033 S	8/2020	Soo et al.	
D789,289 S	6/2017	Sareen	D894,097 S *	8/2020	Kotlas D12/519	
			D923,555 S *	6/2021	Haas D12/521	
			D940,642 S *	1/2022	Pribula D12/588	

* cited by examiner

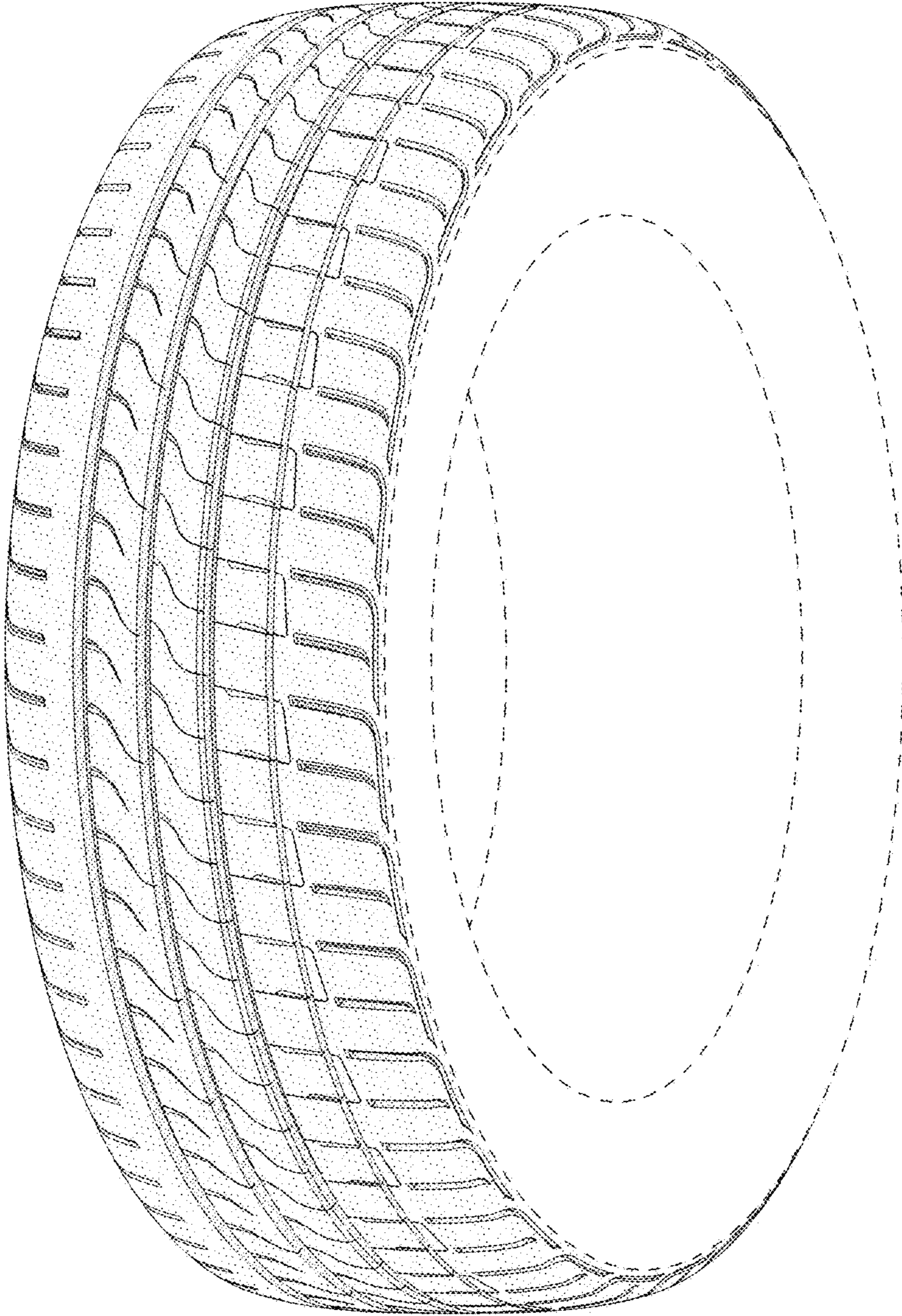


FIG - 1

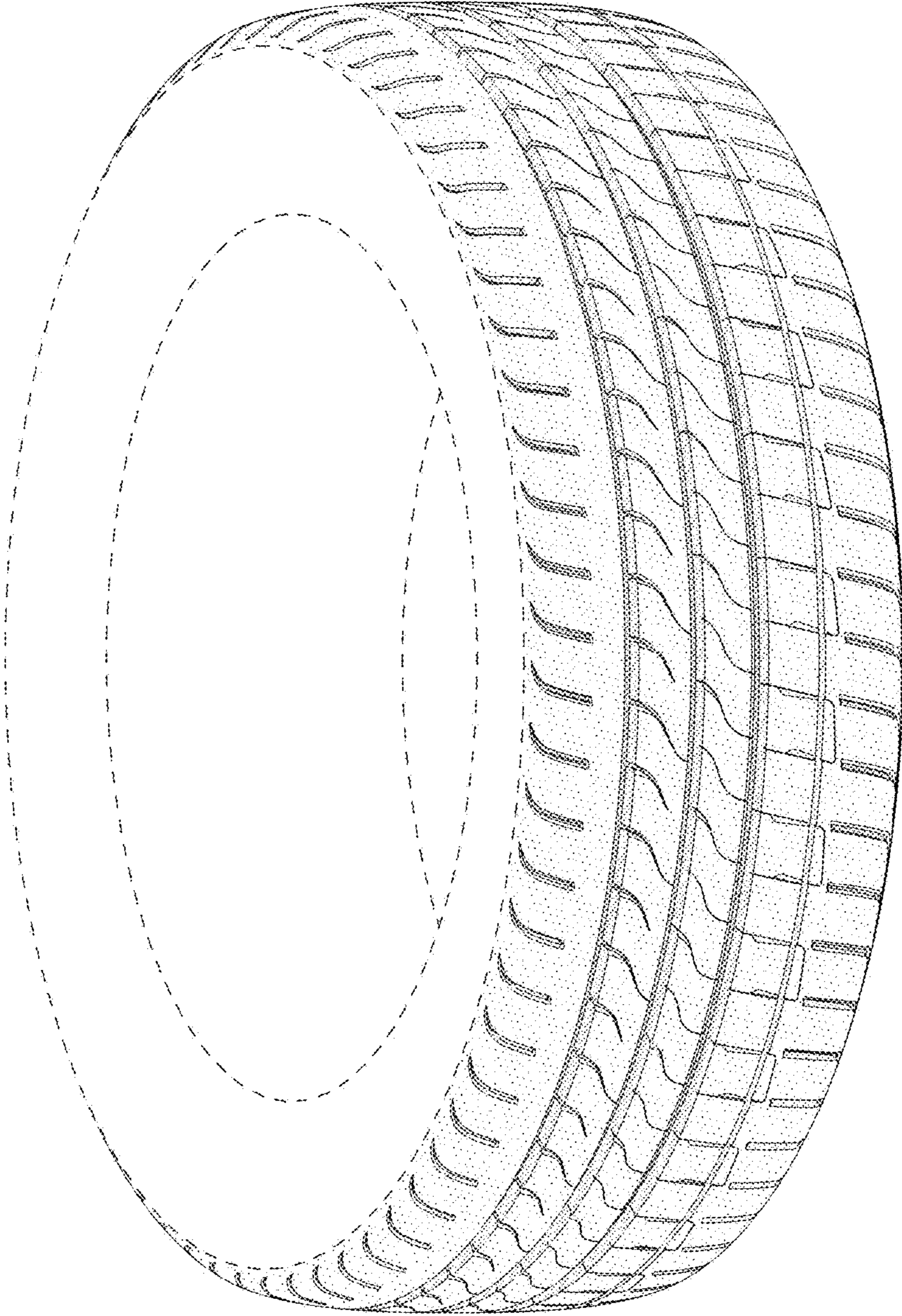


FIG - 2

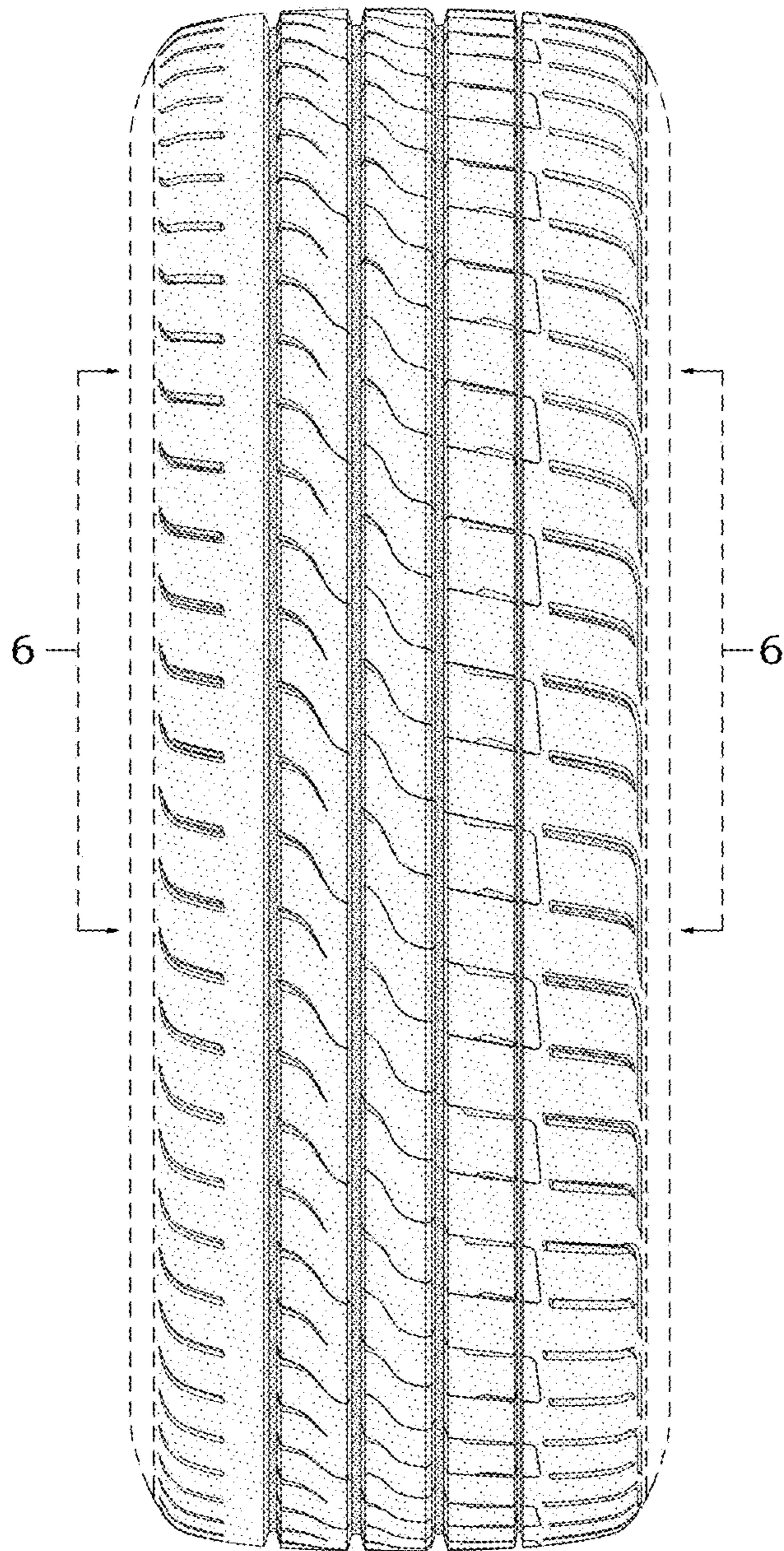


FIG - 3

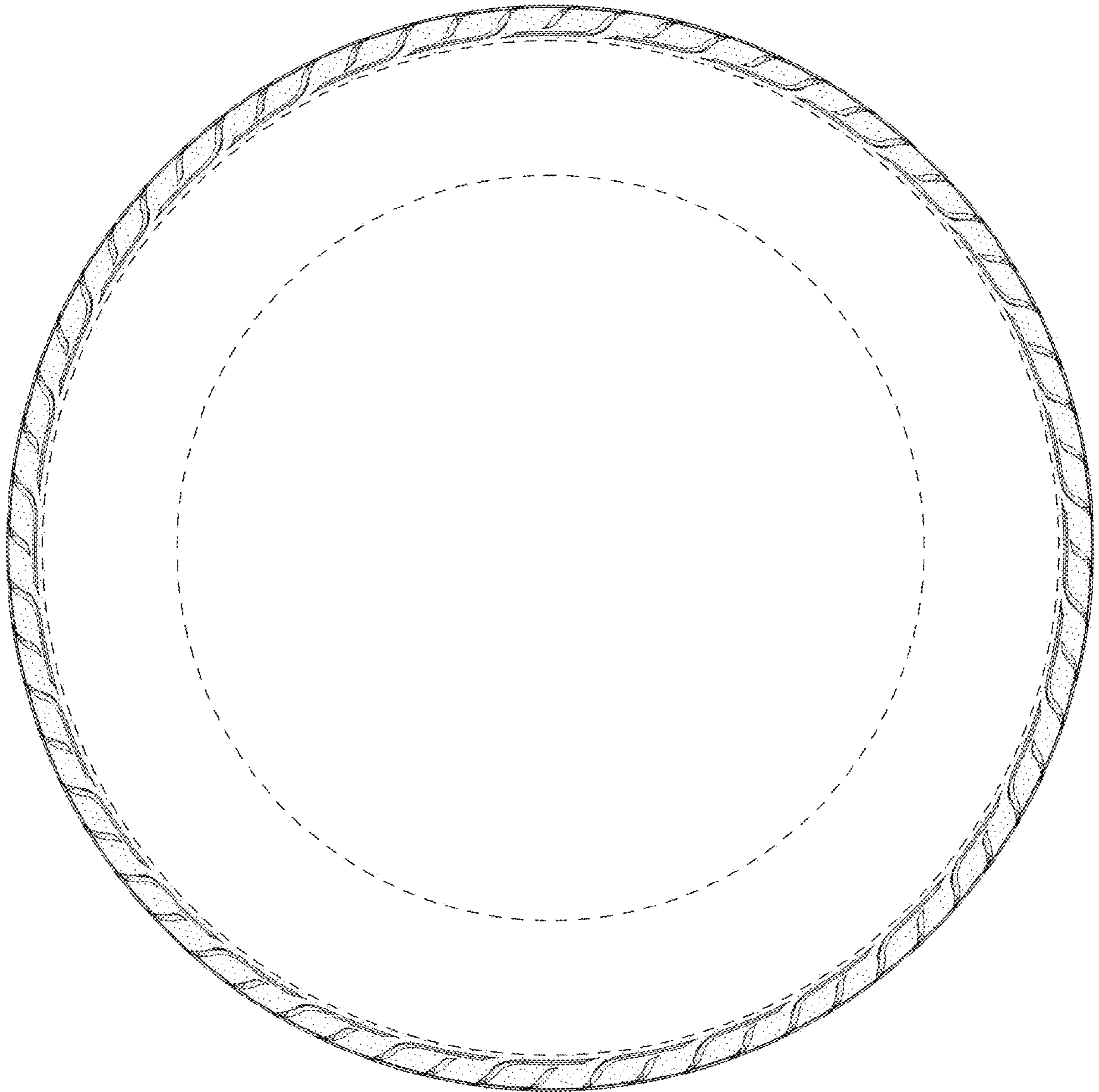


FIG - 4

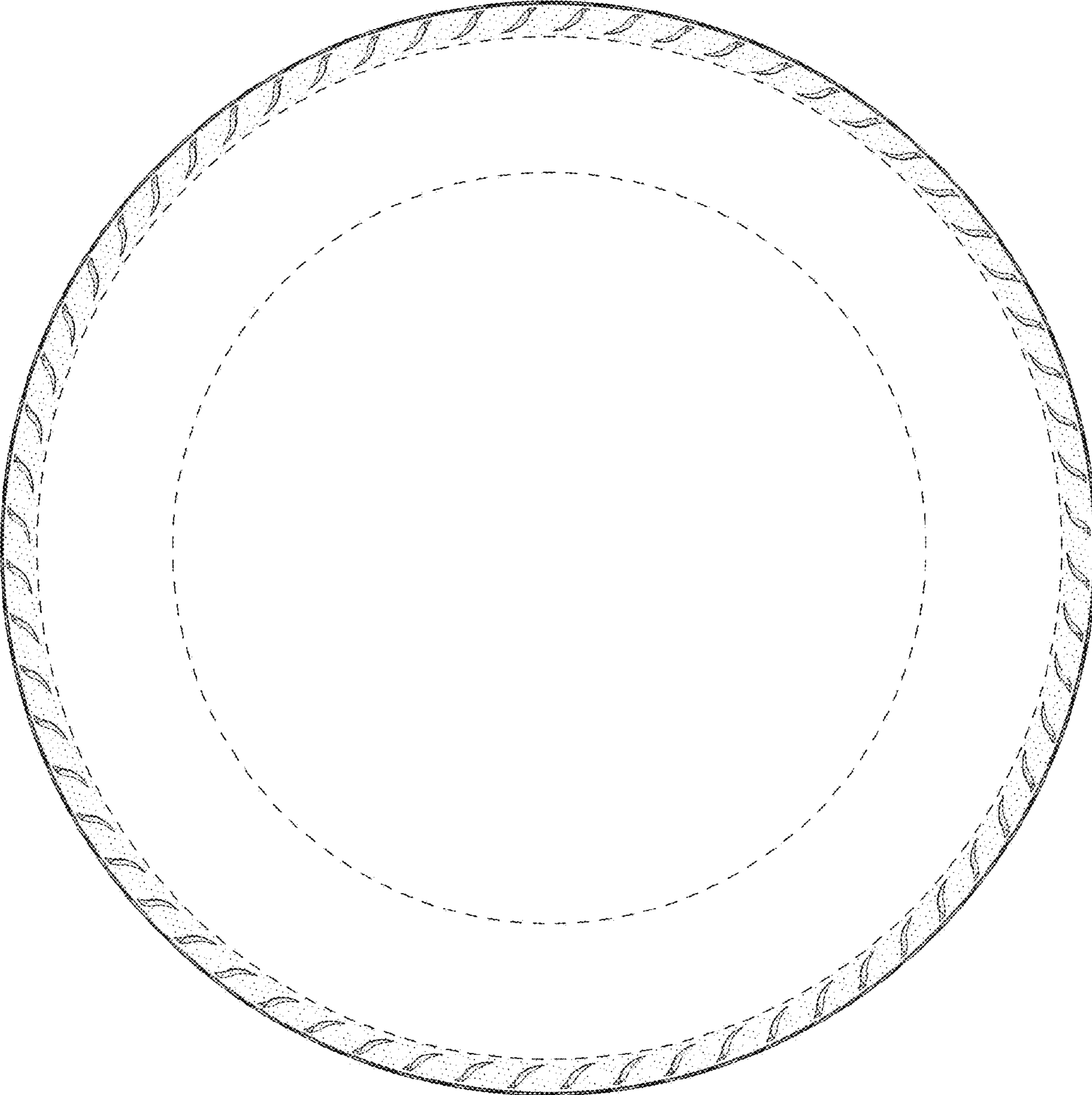


FIG - 5

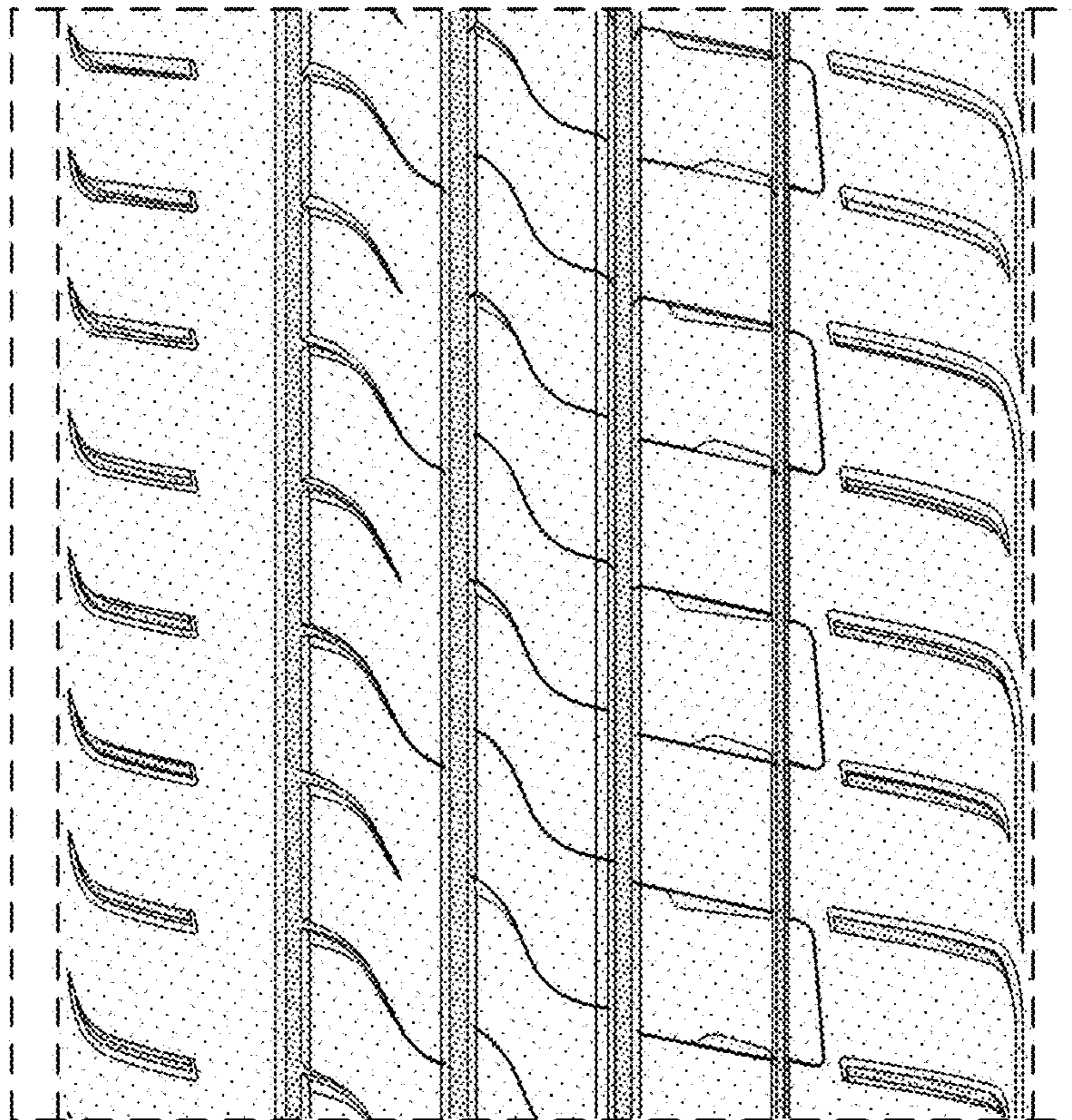


FIG - 6

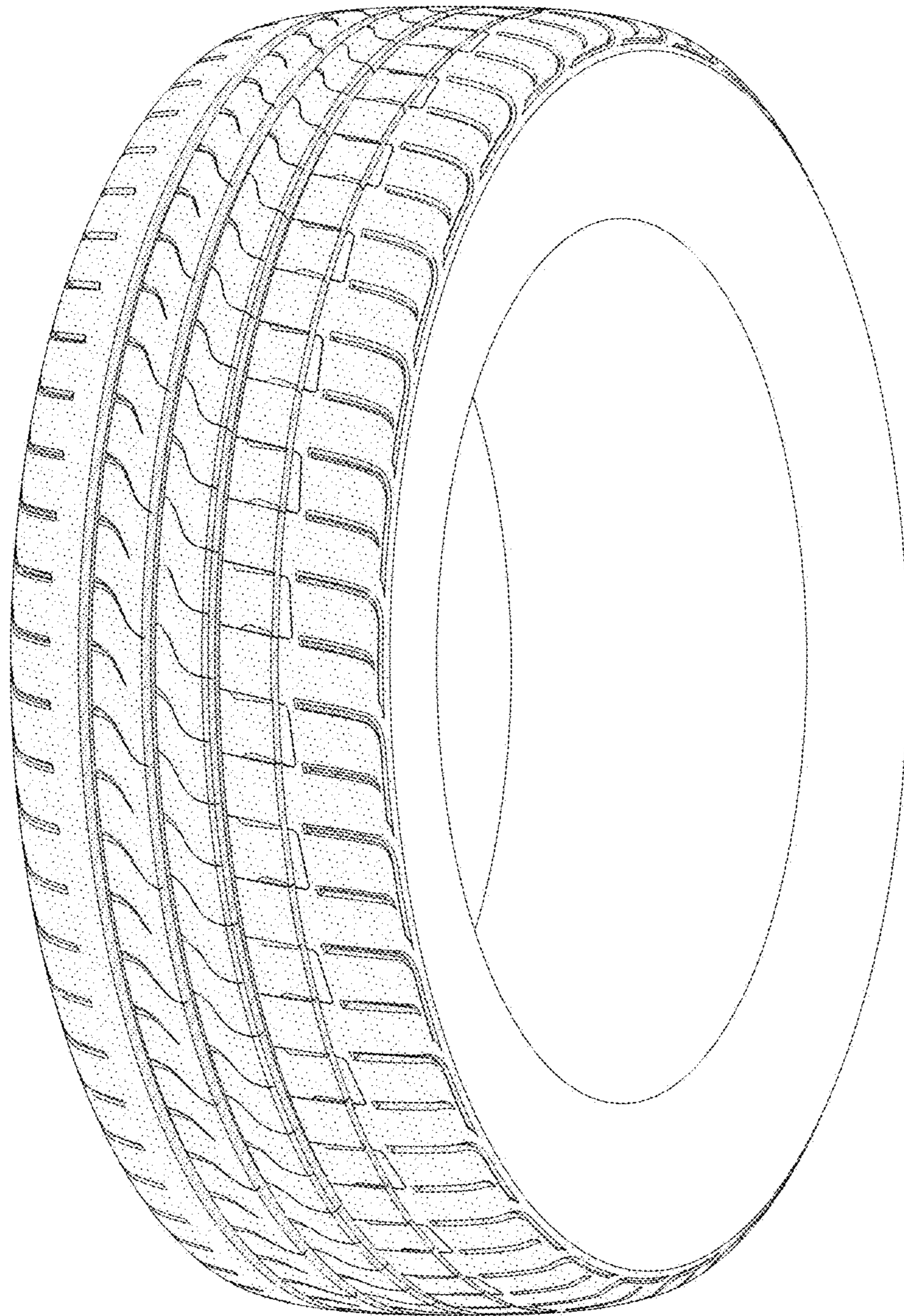


FIG - 7

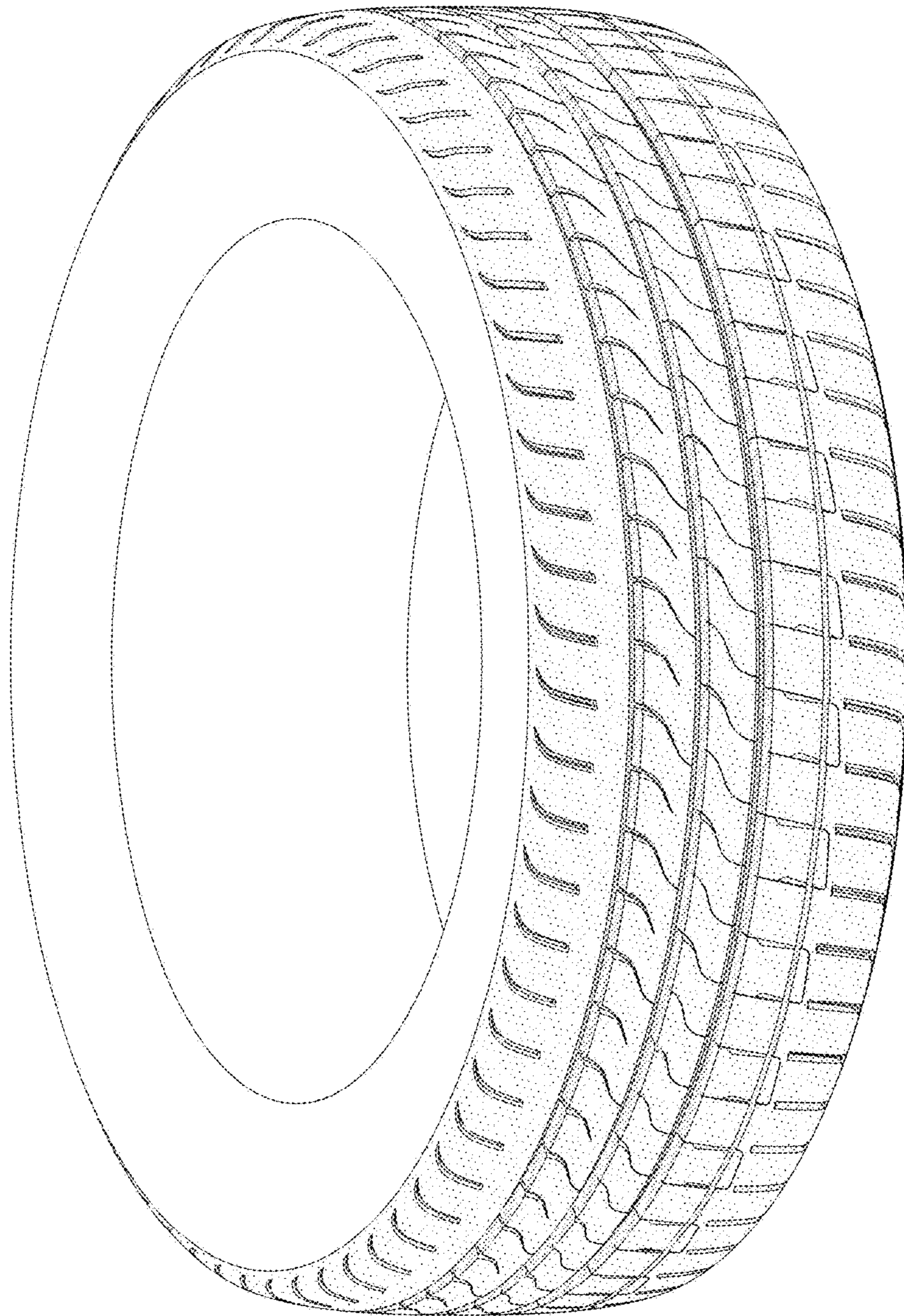


FIG - 8

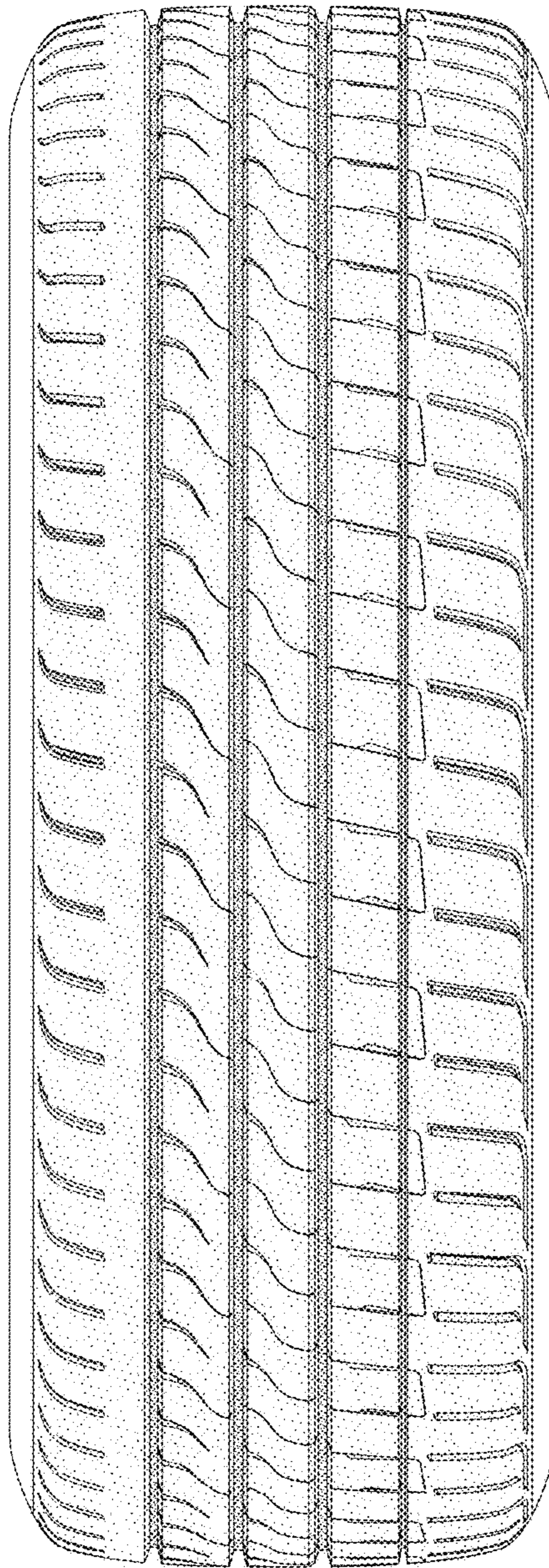


FIG - 9