

US00D963552S

(12) **United States Design Patent** (10) **Patent No.:** **US D963,552 S**
Notaro et al. (45) **Date of Patent:** **** Sep. 13, 2022**

- (54) **TIRE**
- (71) Applicant: **The Goodyear Tire & Rubber Company**, Akron, OH (US)
- (72) Inventors: **Vincent Joseph Notaro**, Sagamore Hills, OH (US); **Jennifer Marie Basl**, Akron, OH (US); **Paul Bryan Maxwell**, Kent, OH (US); **Nicholas Thomas Schoeppner**, Canton, OH (US); **Robert Wayne Schott**, Uniontown, OH (US)
- (73) Assignee: **The Goodyear Tire & Rubber Company**, Akron, OH (US)
- (**) Term: **15 Years**
- (21) Appl. No.: **29/756,964**
- (22) Filed: **Nov. 2, 2020**
- (51) **LOC (13) Cl.** **12-15**
- (52) **U.S. Cl.**
 USPC **D12/517**
- (58) **Field of Classification Search**
 USPC D12/500-532, 604
 CPC Y10T 152/10027; B60C 1/0016; B60C 11/0306; B60C 11/0302; B60C 3/06; B60C 9/17
- See application file for complete search history.

(56) **References Cited**

U.S. PATENT DOCUMENTS

D365,053 S	12/1995	White	D12/146
D458,897 S	6/2002	Weber et al.	D12/588
D470,101 S	2/2003	Heinen	D12/584
D489,318 S	5/2004	Buresh et al.	D12/601
D668,598 S	10/2012	Hughes et al.	D12/521
D673,894 S	1/2013	Hughes et al.	D12/521
D724,005 S	* 3/2015	Hughes	D12/521

D735,637 S	8/2015	Hughes et al.	D12/521
D736,697 S	8/2015	Leocadio et al.	D12/601
D737,754 S	9/2015	Bourel et al.	D12/594

(Continued)

Primary Examiner — John A Voytek

(74) Attorney, Agent, or Firm — June E. Rickey

(57) **CLAIM**

The ornamental Design for a tire, as shown and described.

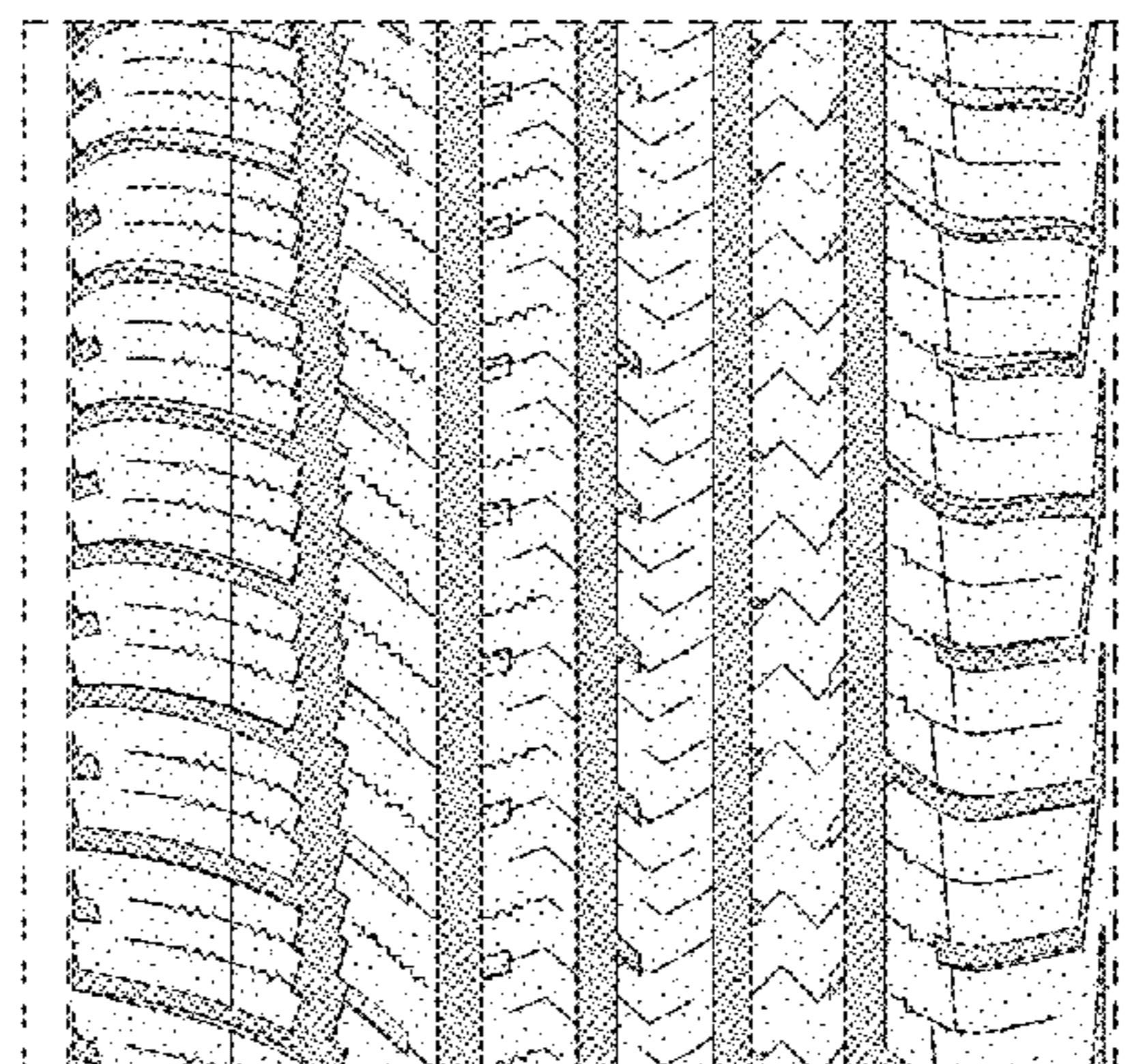
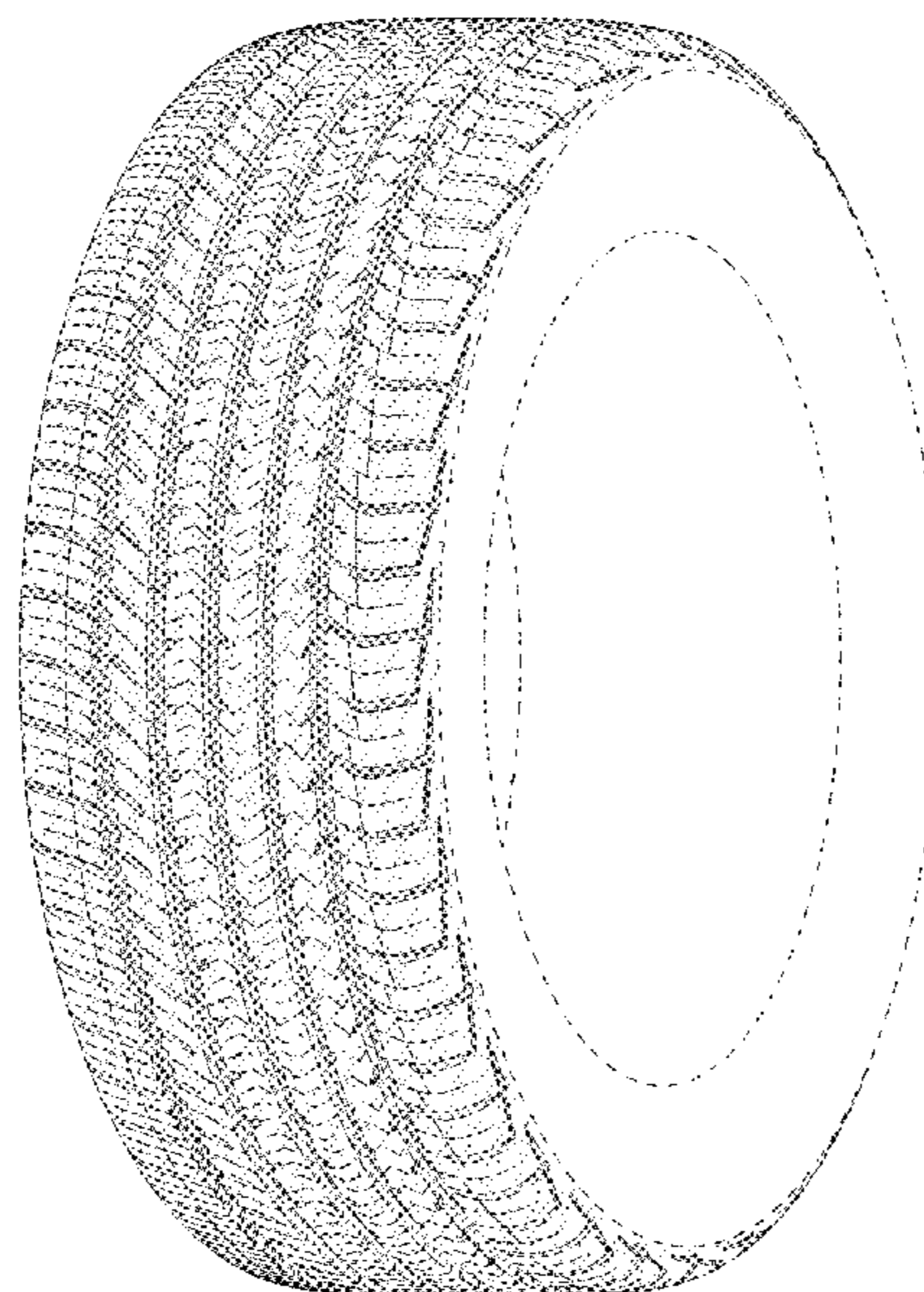
DESCRIPTION

FIG. 1 is a right side perspective view of a tire showing our new design, it being understood that the pattern repeats uniformly throughout the circumference of the tread; FIG. 2 is a left side perspective view thereof; FIG. 3 is a front elevational view thereof; FIG. 4 is a right side elevational view thereof; FIG. 5 is a left side elevational view thereof; FIG. 6 is an enlarged fragmentary front elevational view thereof taken along Line 6-6 of FIG. 3; FIG. 7 is a right side perspective view of a second embodiment of a tire showing our new design, it being understood that the interior of the tire forms no part of the claim and that the pattern repeats uniformly throughout the circumference of the tread; FIG. 8 is a left side perspective view of a second embodiment, it being understood that the interior of the tire forms no part of the claim; and, FIG. 9 is a front elevational view of a second embodiment, it being understood that an enlarged fragmentary view thereof would be substantially identical to that shown in FIG. 6, with the exception of the inclusion of the sidewall in solid lines.

In the drawings, the broken lines immediately adjacent to the outer edges of the tire shoulder represent boundaries of the claim, and the broken lines depict environmental subject matter only and form no part of the claimed design.

The dashed broken lines indicating an enlargement portion of the design form no part of the claimed design.

1 Claim, 9 Drawing Sheets



(56)

References Cited

U.S. PATENT DOCUMENTS

D740,205 S	*	10/2015	Hughes	D12/521
D752,504 S		3/2016	Sareen	D12/521
D756,295 S		5/2016	Pingenat et al.	D12/588
D758,957 S		6/2016	Kuriyama	D12/588
D773,976 S		12/2016	Dixon	D12/515
D789,870 S	*	6/2017	Dixon	D12/521
D794,542 S		8/2017	Tahon et al.	D12/528
D795,172 S		8/2017	Covey et al.	D12/588
D795,793 S		8/2017	Schoepner et al.	D12/523
D796,425 S	*	9/2017	Sareen	D12/521
D800,637 S	*	10/2017	Nguyen	D12/521
D812,550 S		3/2018	Digman et al.	D12/588
D843,311 S	*	3/2019	Rittweger	D12/523
D853,942 S		7/2019	Haas et al.	D12/584
D867,264 S	*	11/2019	Poling	D12/521
D869,383 S		12/2019	Basl et al.	D12/521
D883,903 S	*	5/2020	Horiguchi	D12/521
D892,034 S		8/2020	Wang et al.	D12/595
D923,554 S	*	6/2021	Geelen	D12/521

* cited by examiner

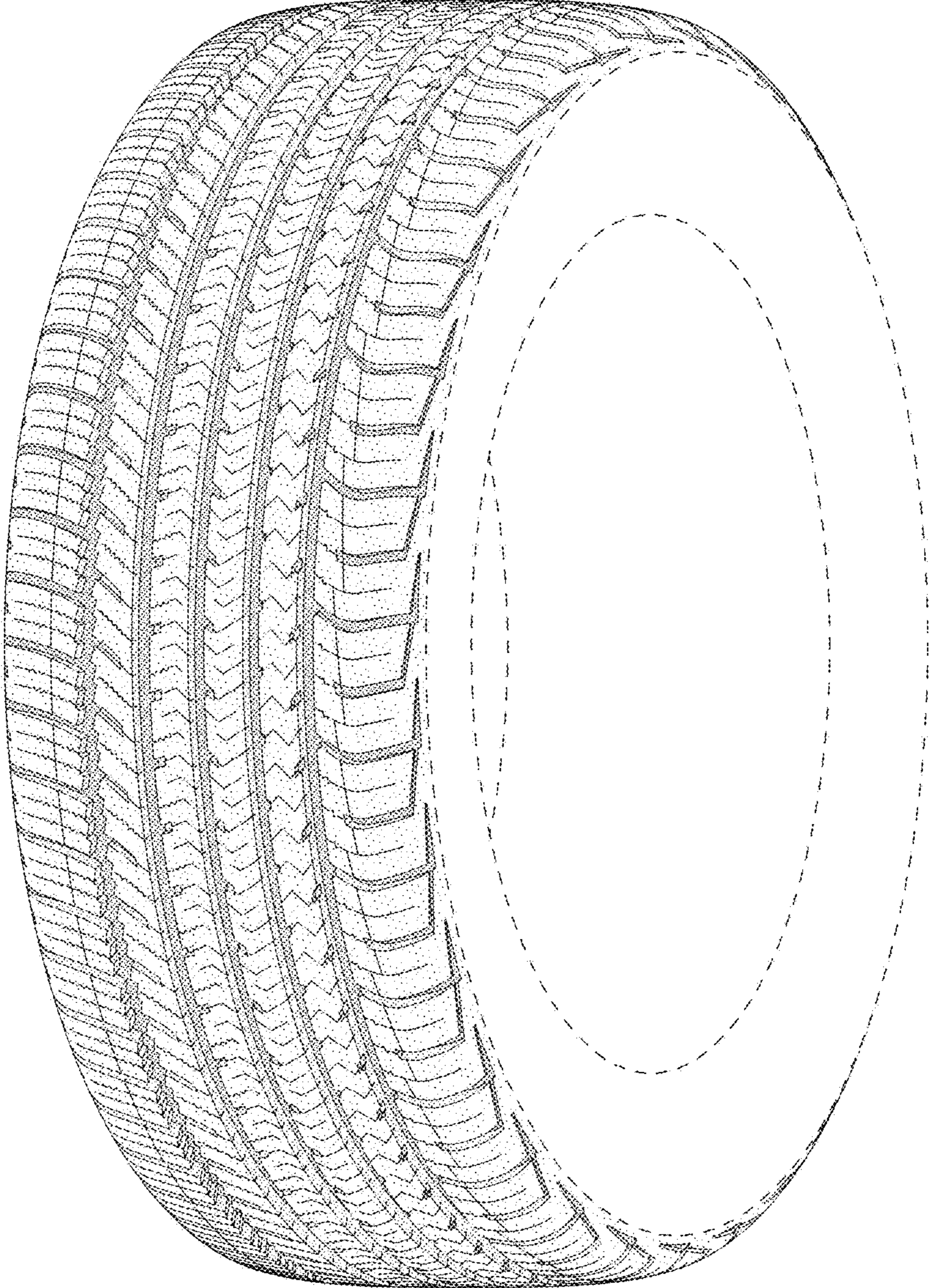


FIG - 1

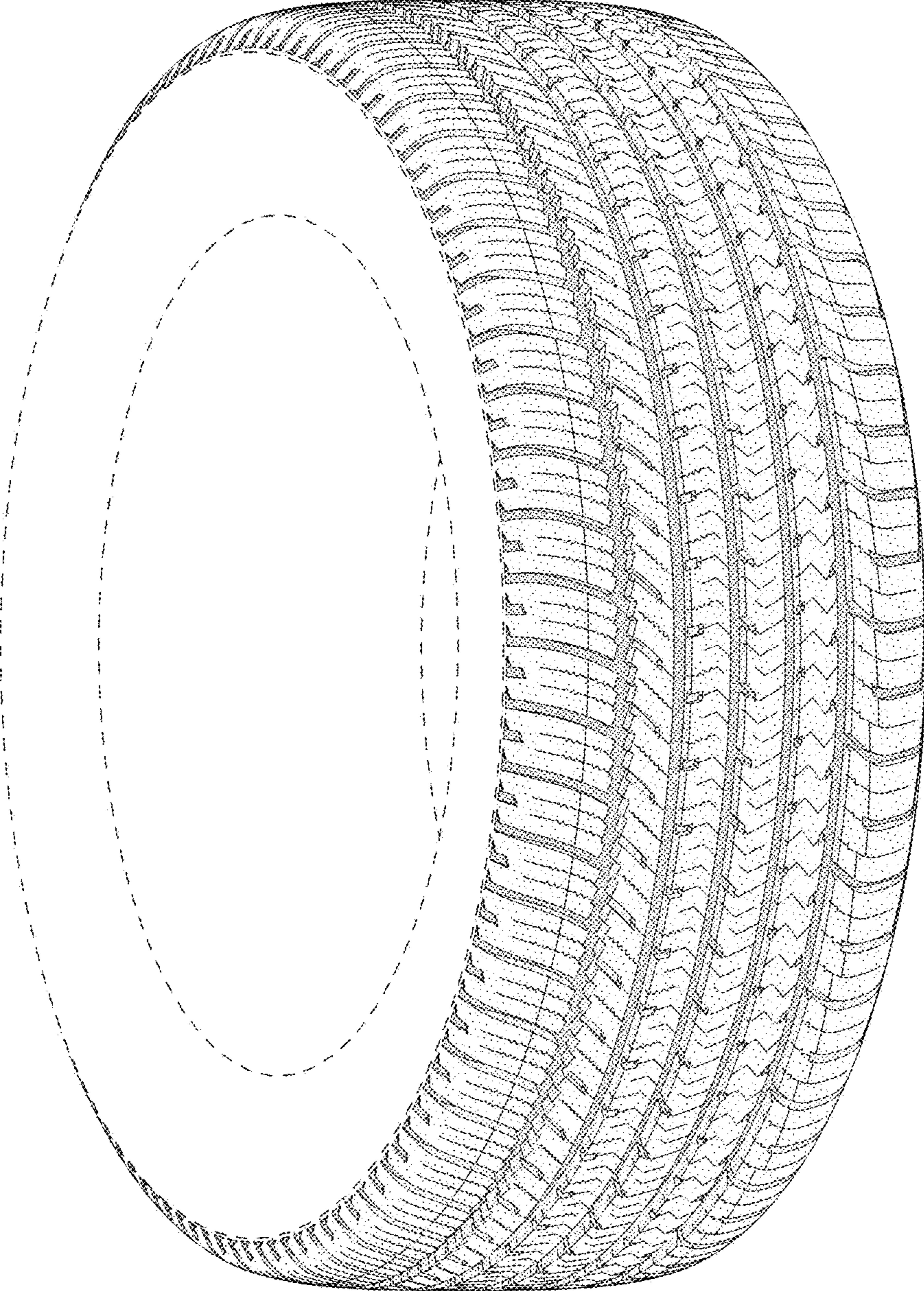


FIG - 2

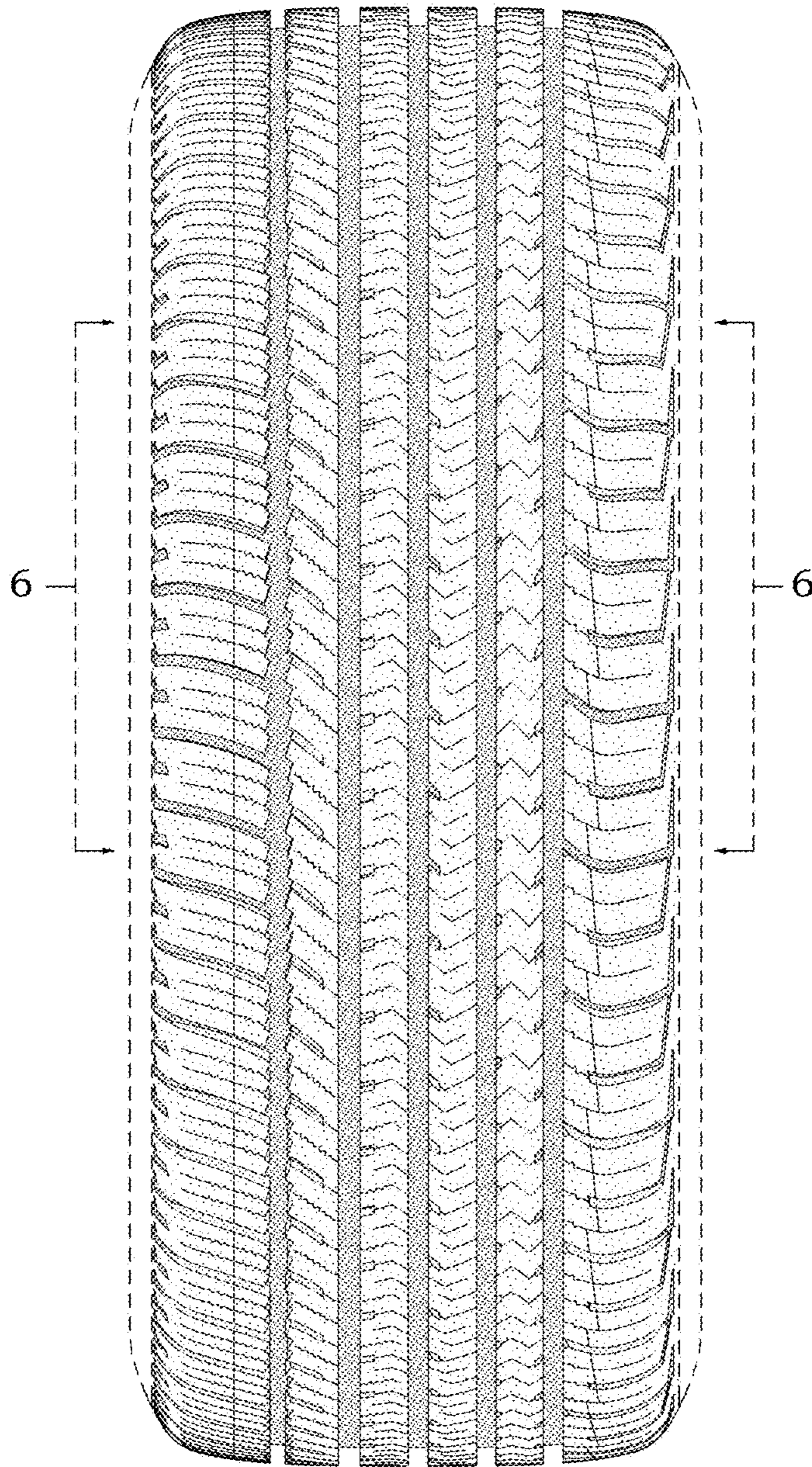


FIG - 3

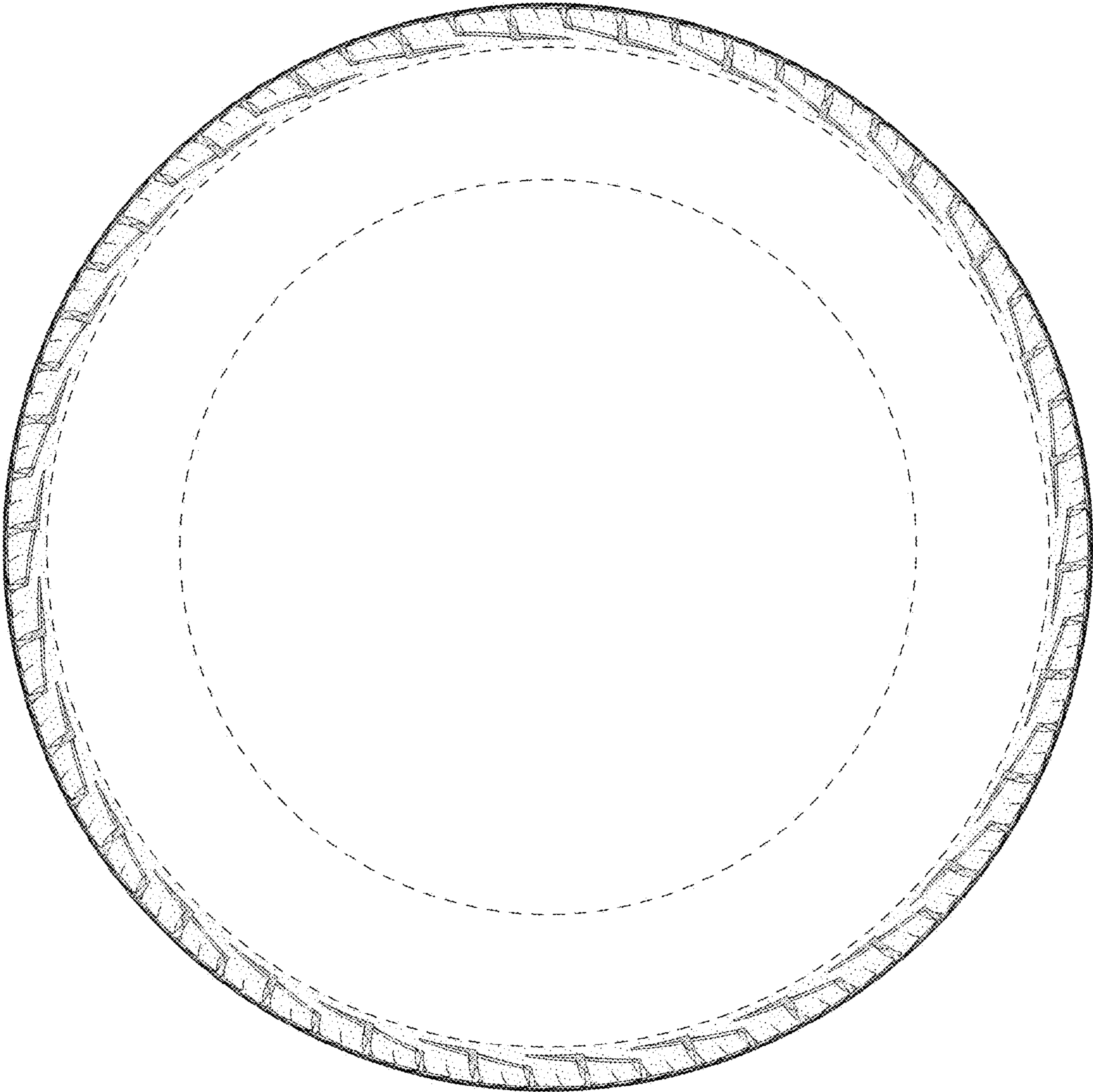


FIG - 4

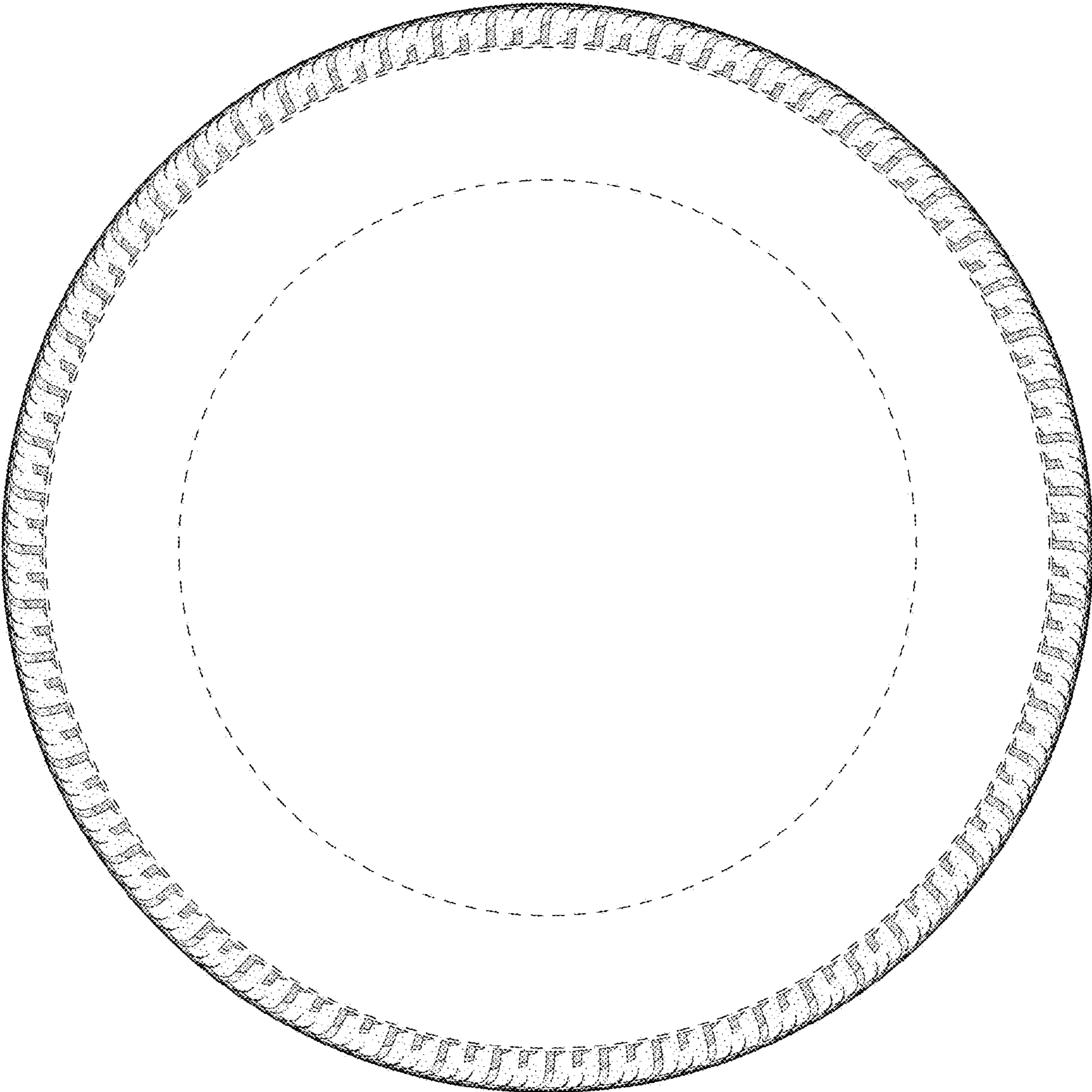


FIG - 5

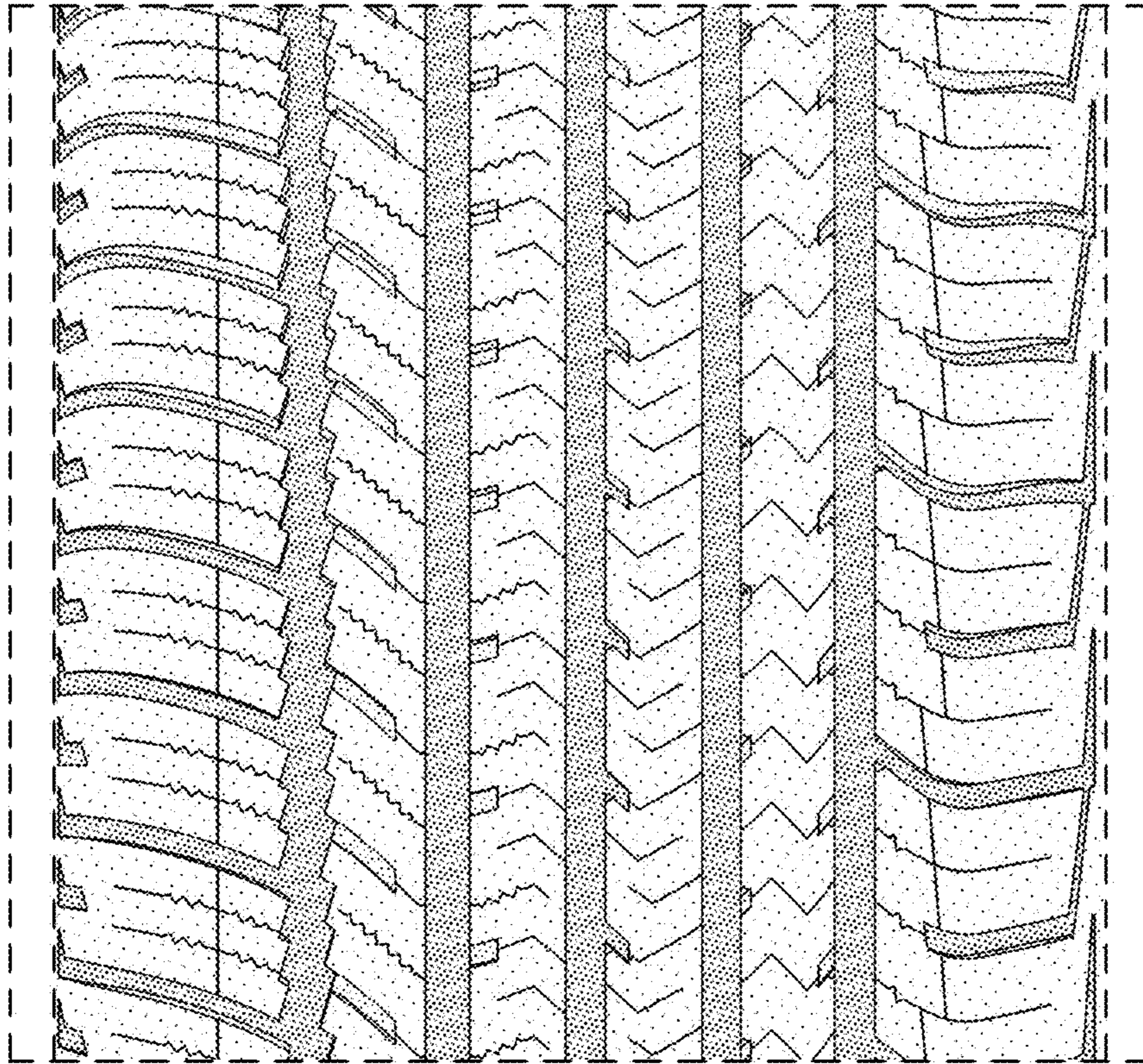


FIG - 6

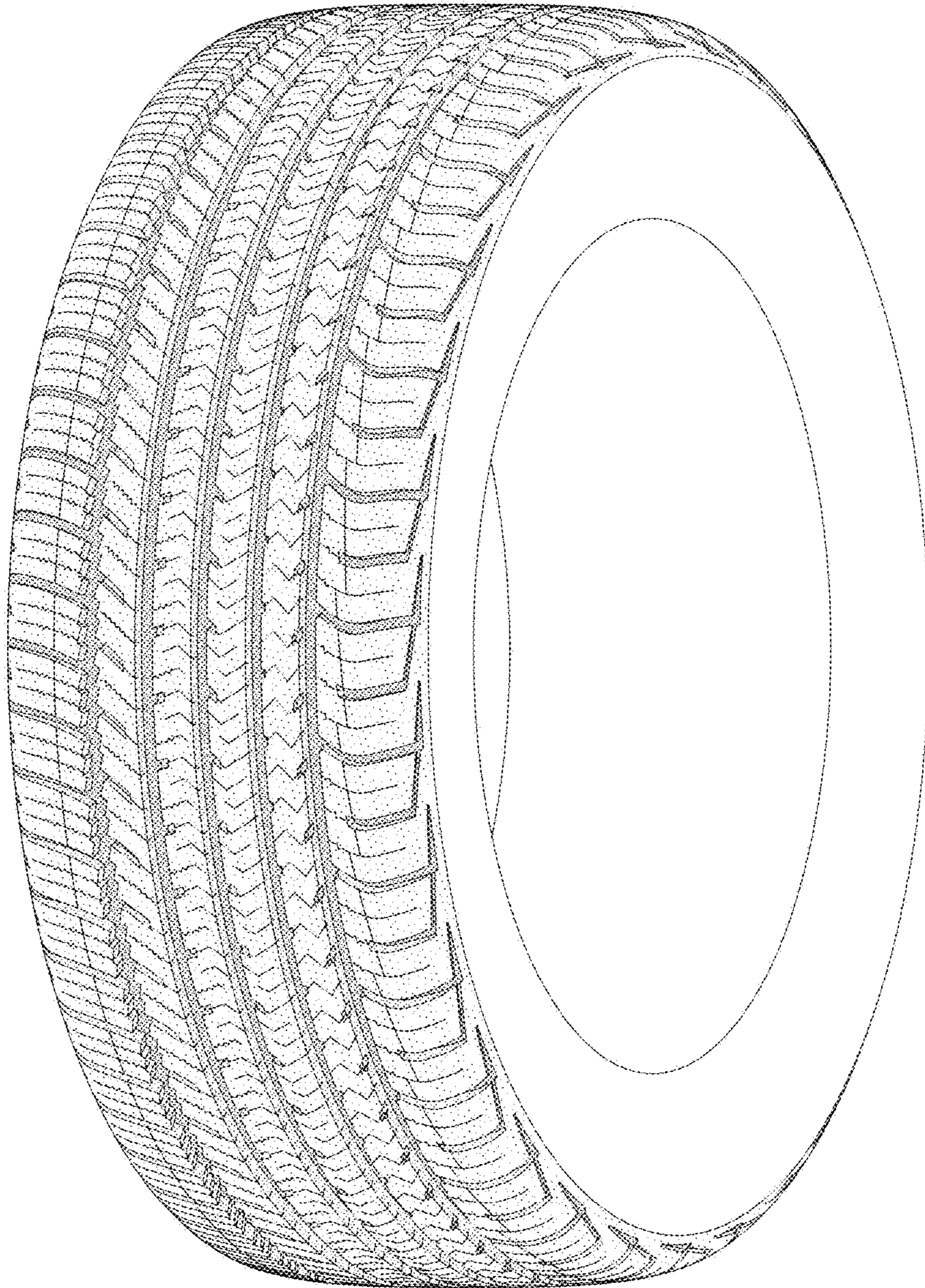


FIG - 7

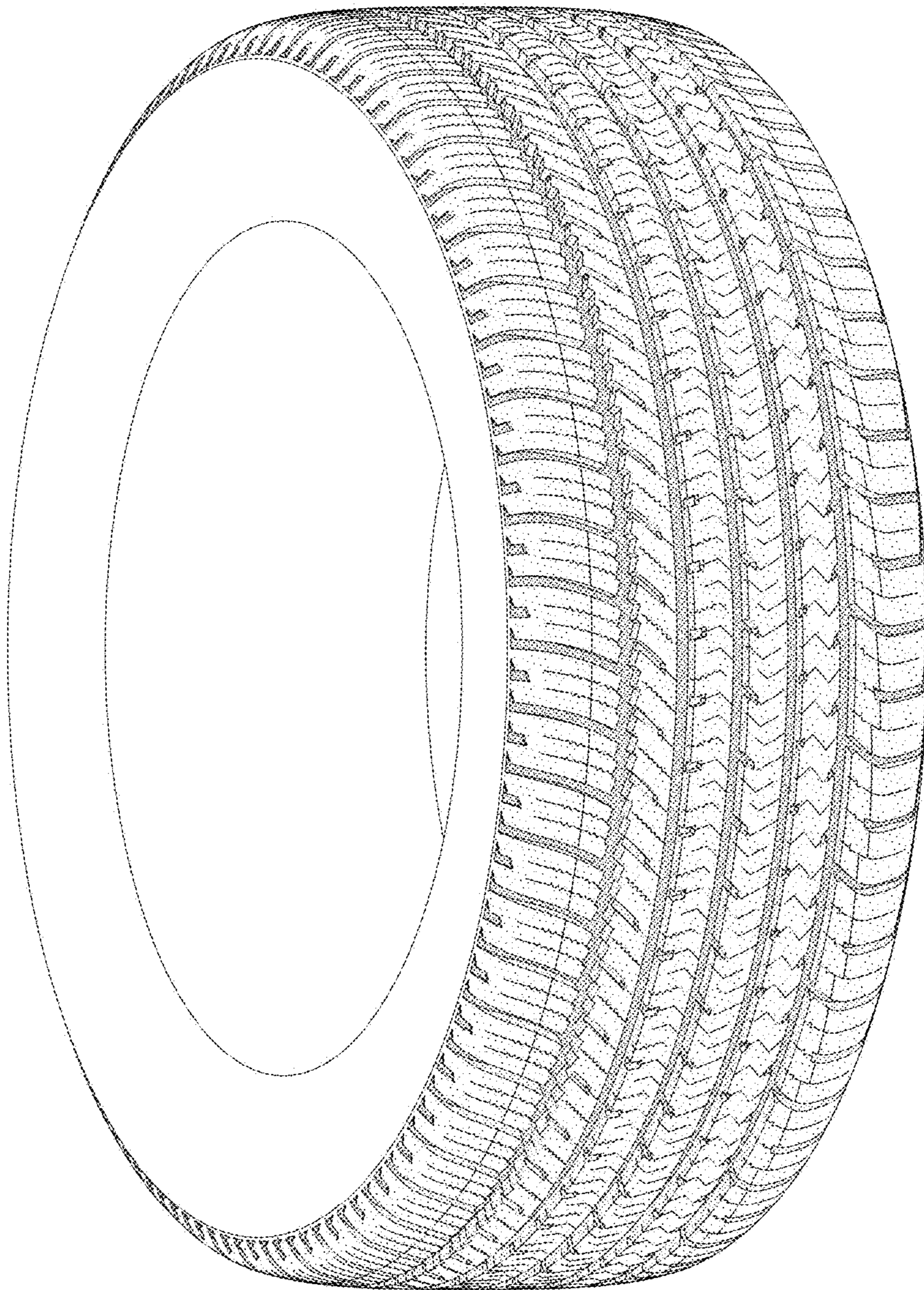


FIG - 8

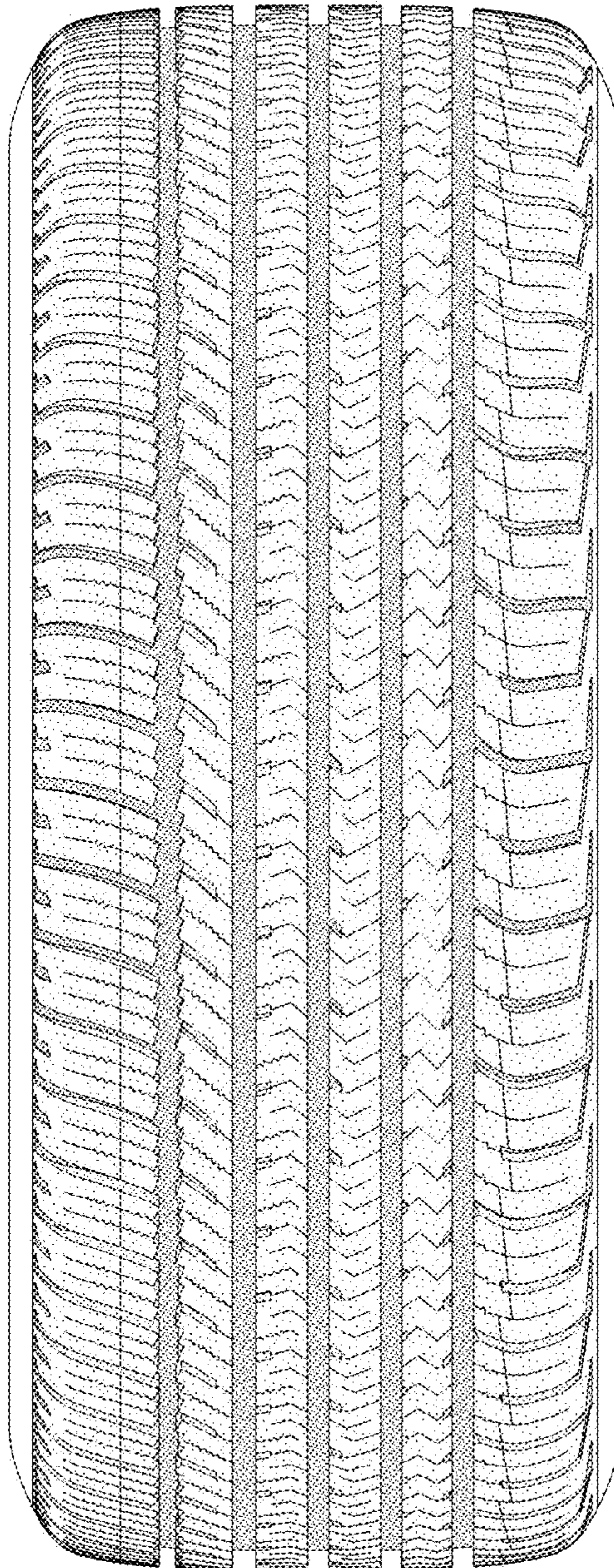


FIG - 9