



US00D963549S

(12) **United States Design Patent**
Li

(10) **Patent No.:** **US D963,549 S**

(45) **Date of Patent:** **** Sep. 13, 2022**

(54) **STORAGE BOX FOR VEHICLE**
(71) Applicant: **Shenzhen Chegaibang Vehicle Industry Co., Ltd., Shenzhen (CN)**

(72) Inventor: **Liping Li, Shenzhen (CN)**

(**) Term: **15 Years**

(21) Appl. No.: **29/837,929**

(22) Filed: **May 10, 2022**

(51) **LOC (13) Cl.** **12-16**

(52) **U.S. Cl.**
USPC **D12/425**

(58) **Field of Classification Search**
USPC D12/425, 400, 406, 415-420, 424, 426
CPC B63B 25/00; B63B 7/085; B63B 35/00;
B63B 17/00; B60R 16/04
See application file for complete search history.

(56) **References Cited**

U.S. PATENT DOCUMENTS

D597,019 S	7/2009	Zarza	
D653,605 S *	2/2012	Stroud	D12/425
D744,935 S *	12/2015	Ahn	D12/425
D884,578 S *	5/2020	Guo	D12/425
D912,608 S *	3/2021	Chen	D12/425

D922,935 S *	6/2021	Guo	D12/425
D940,057 S *	1/2022	Guo	D12/425
D943,496 S *	2/2022	Brumby	D12/425
D946,494 S *	3/2022	Huang	D12/425
D955,323 S *	6/2022	Reid	D12/425
D957,310 S *	7/2022	Lin	D12/425

* cited by examiner

Primary Examiner — Katrina A Betton

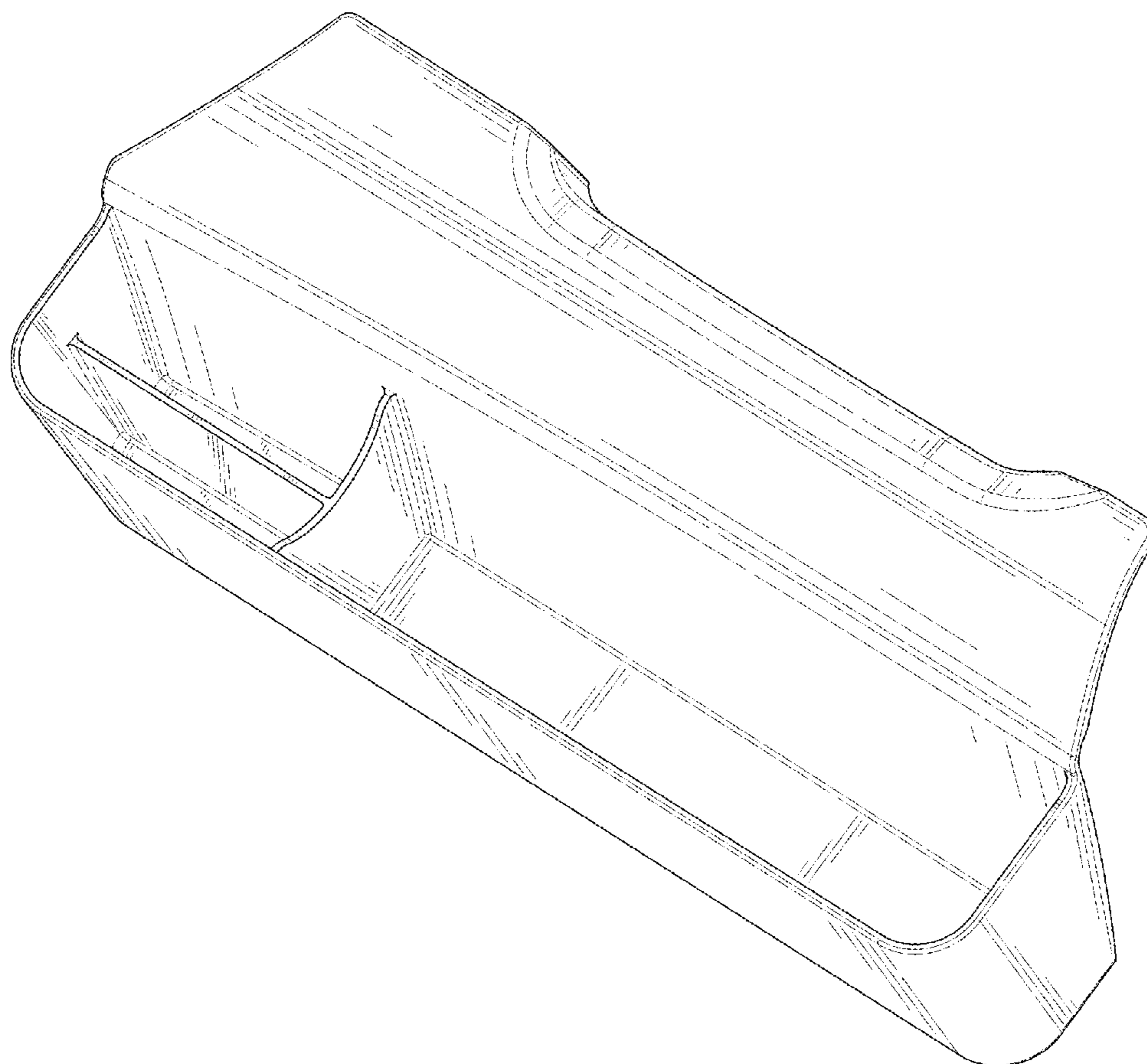
(57) **CLAIM**

The ornamental design for a storage box for vehicle, as shown and described.

DESCRIPTION

FIG. 1 is a front and top perspective view of a storage box for vehicle, showing my new design;
FIG. 2 is a rear and bottom perspective view thereof;
FIG. 3 is a front elevation view thereof;
FIG. 4 is a rear elevation view thereof;
FIG. 5 is a left side elevation view thereof;
FIG. 6 is a right side elevation view thereof;
FIG. 7 is a top plan view thereof; and,
FIG. 8 is a bottom plan view thereof.

1 Claim, 8 Drawing Sheets



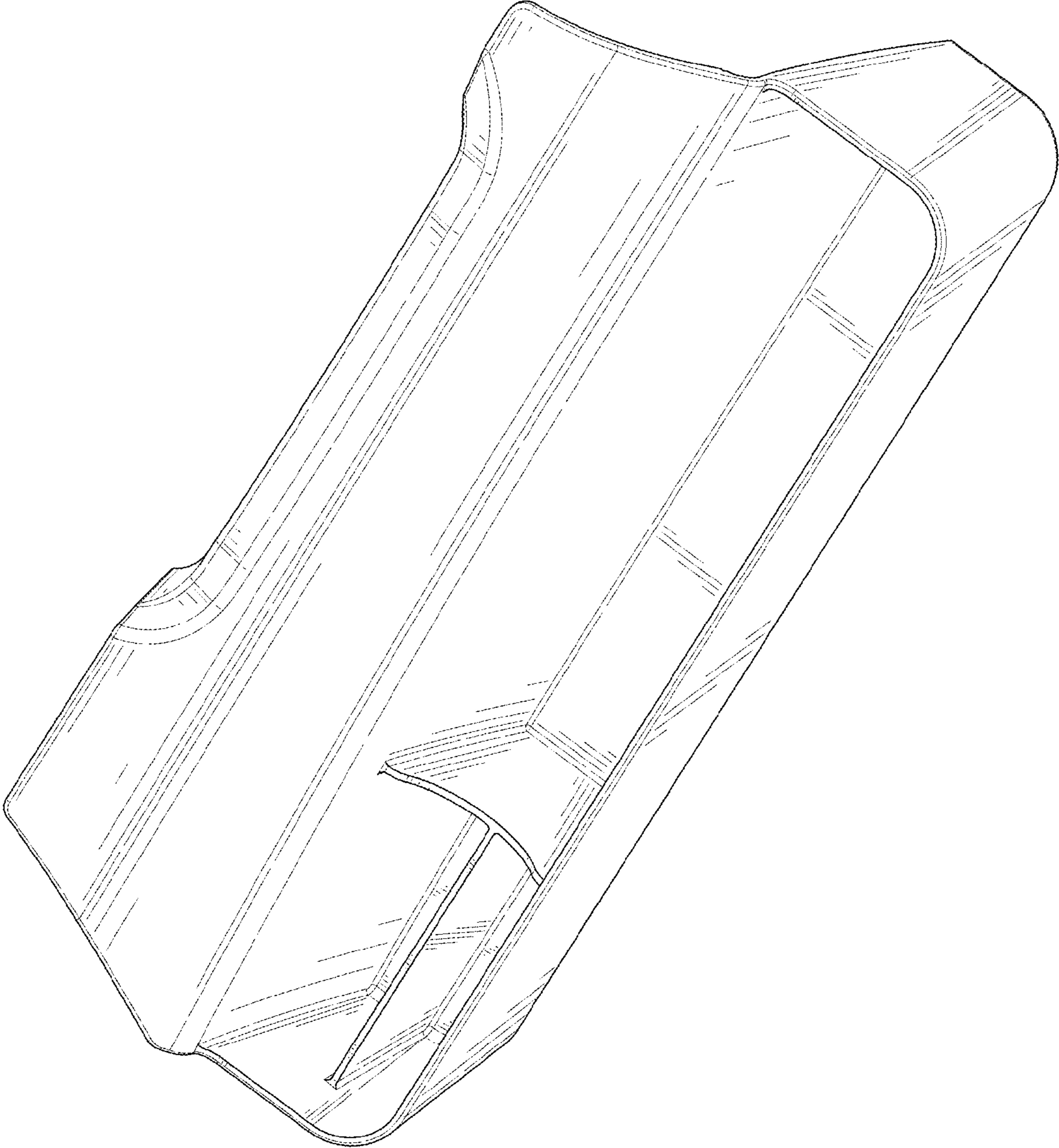


FIG. 1

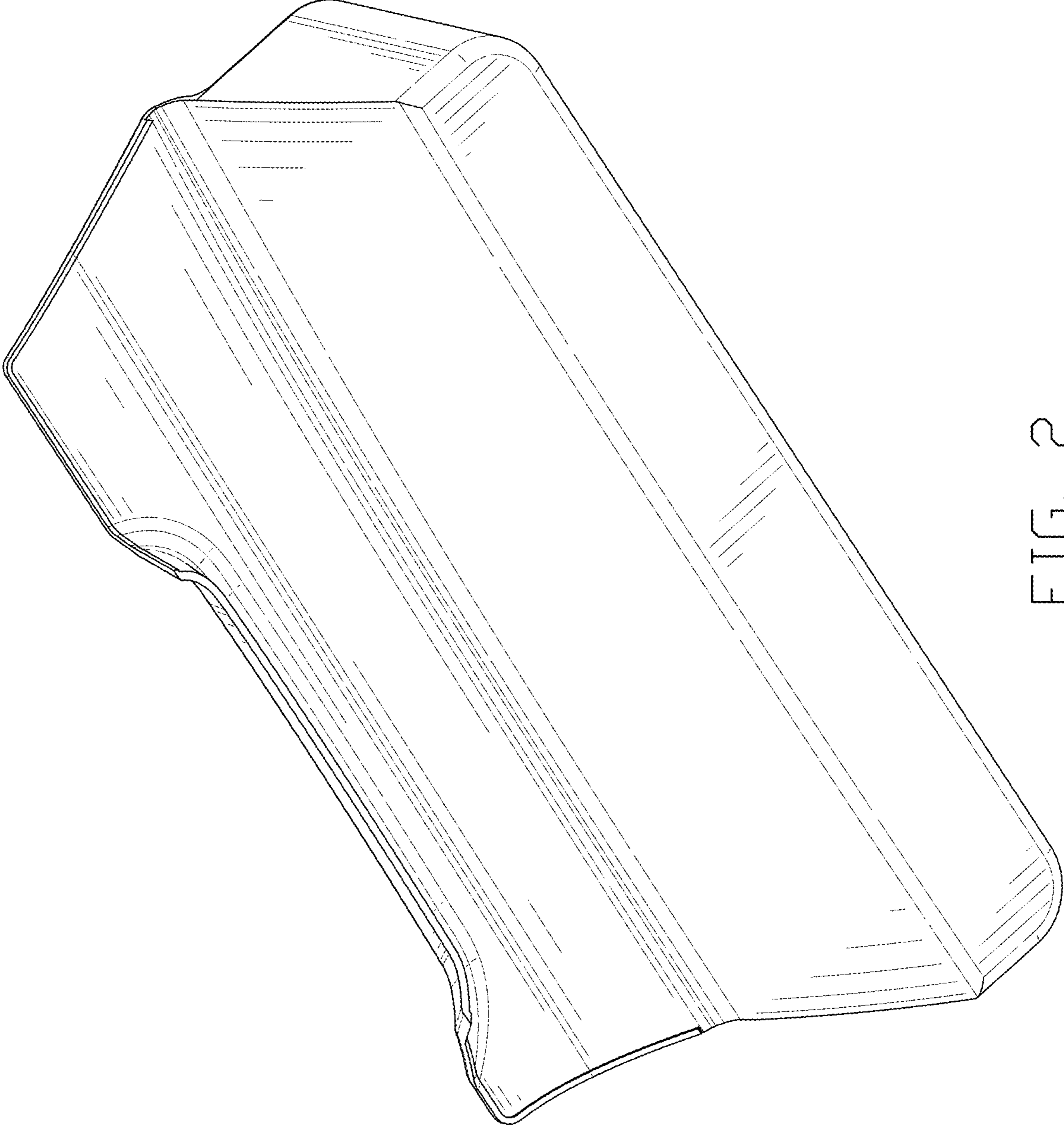


FIG. 2

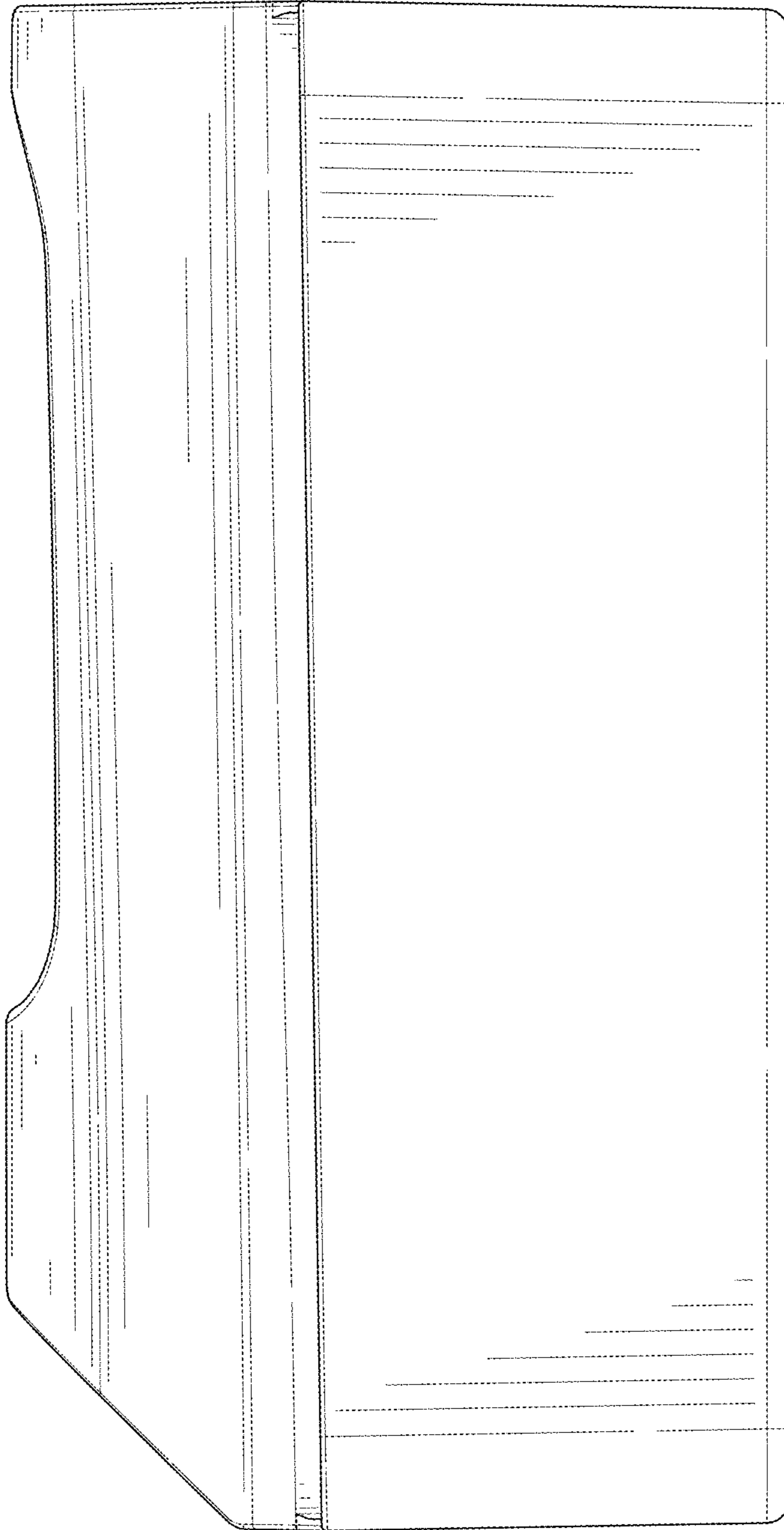


FIG. 3

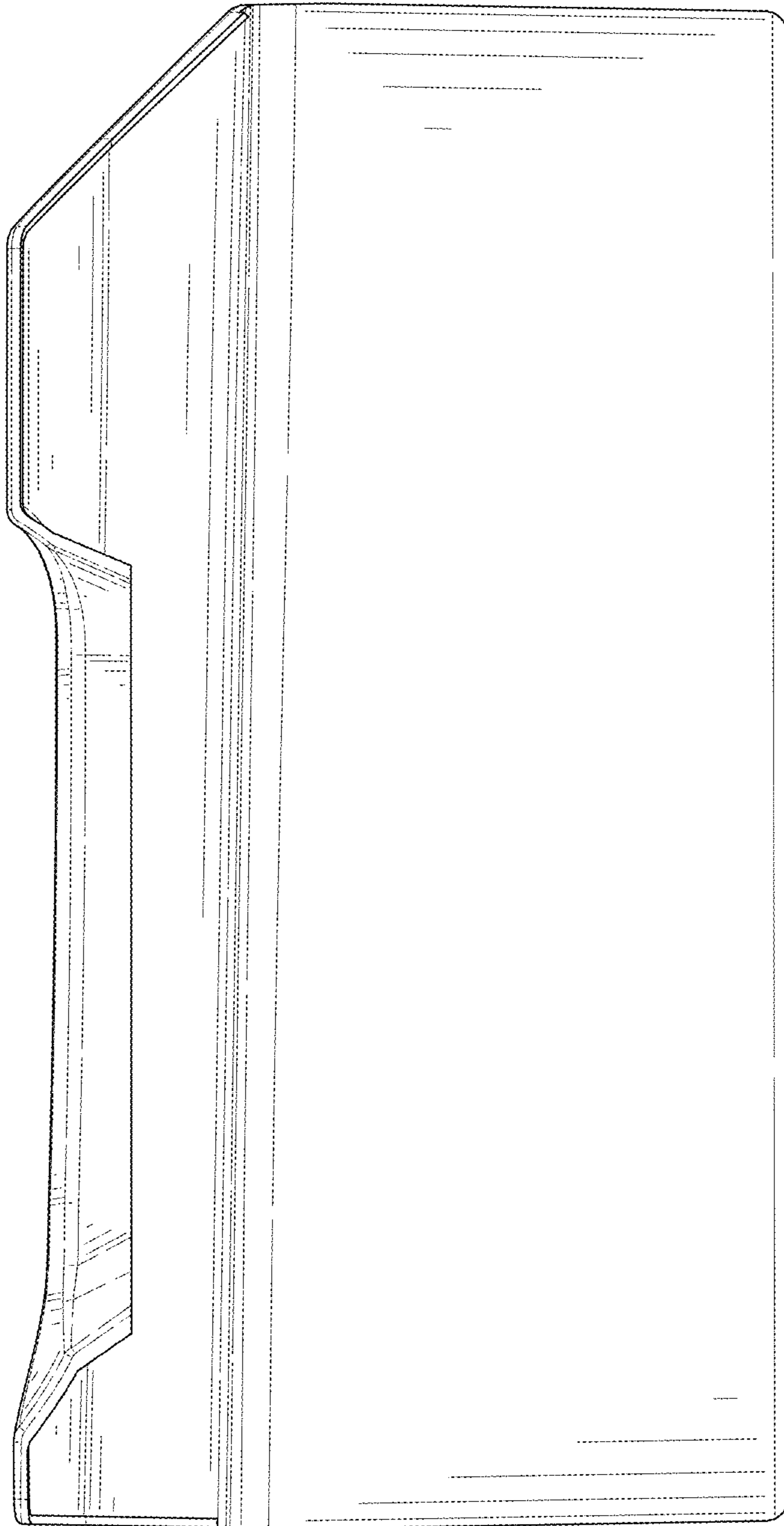


FIG. 4

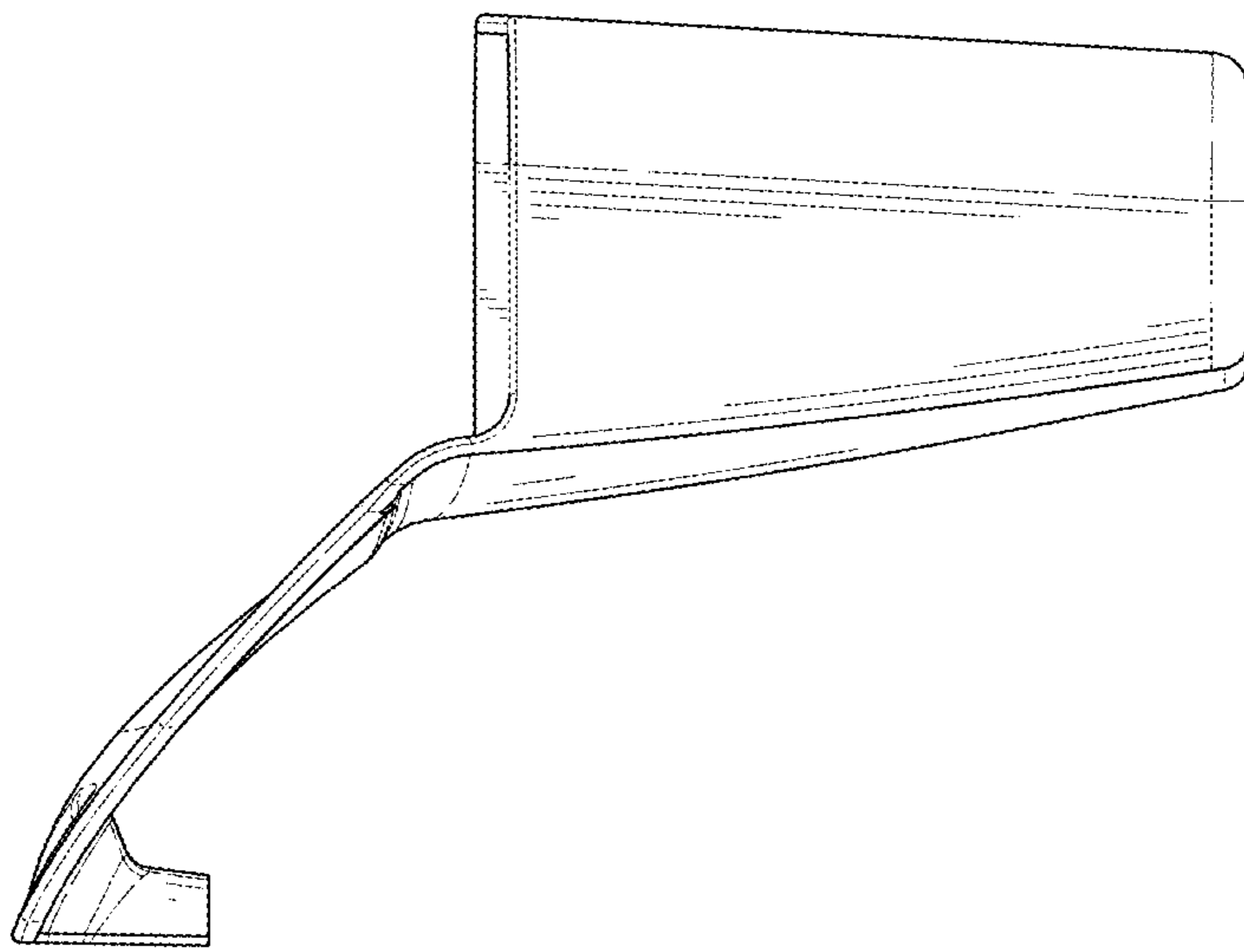


FIG. 5

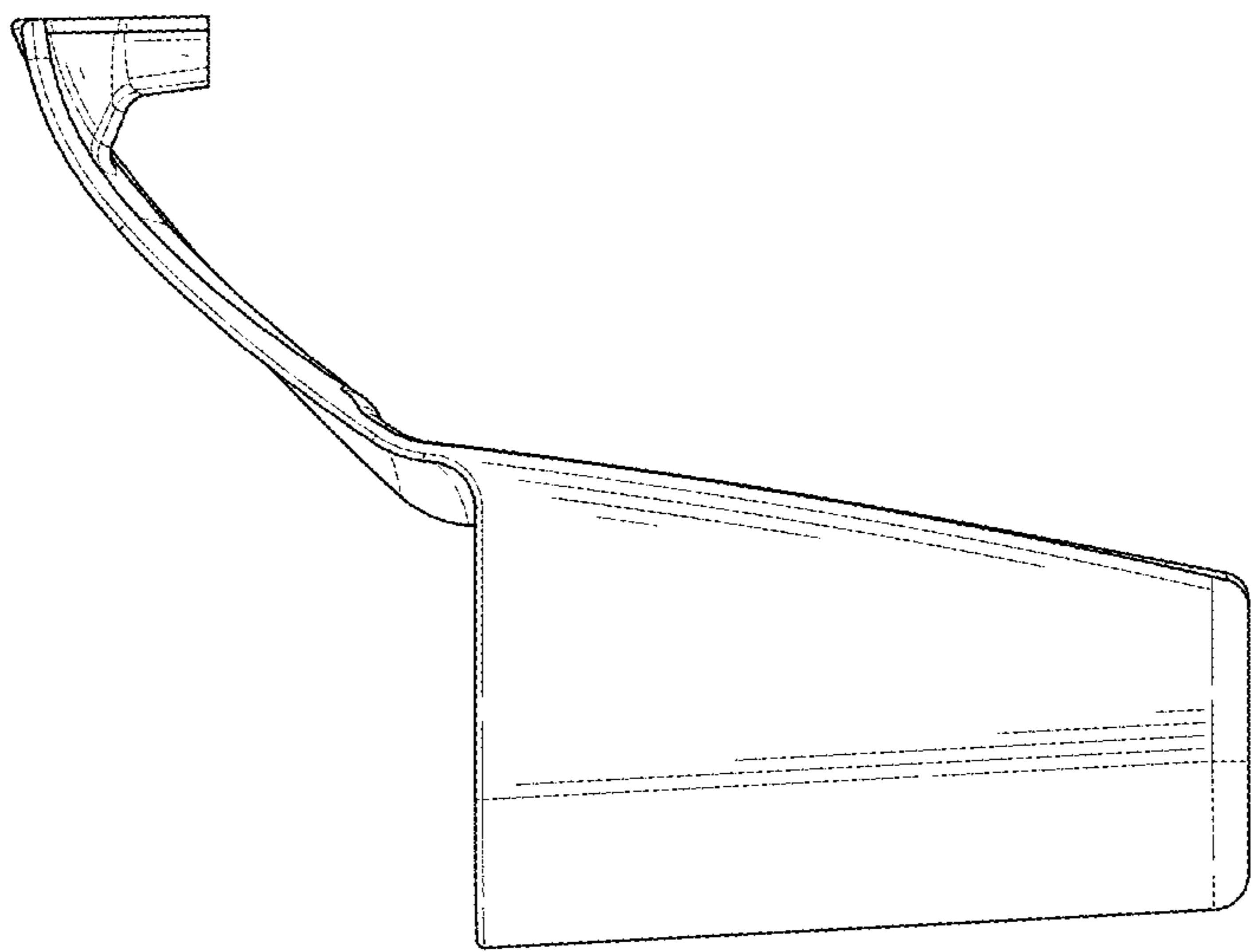


FIG. 6

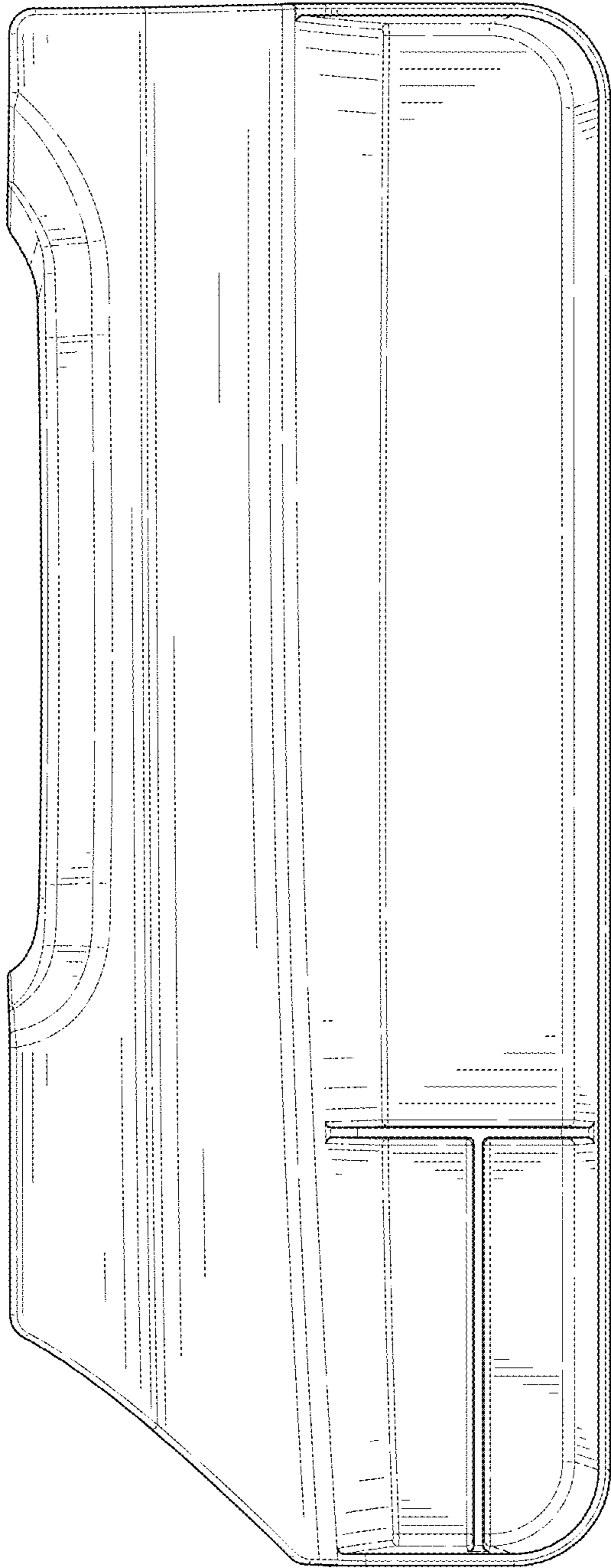


FIG. 7

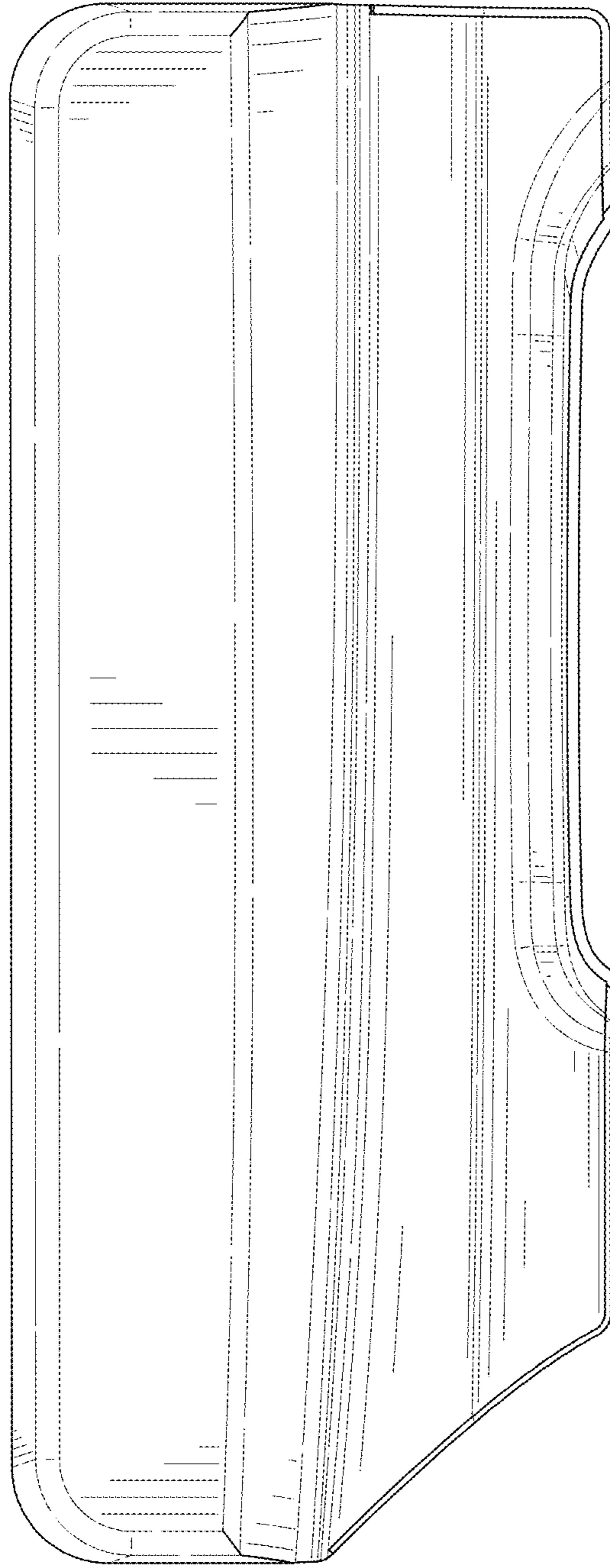


FIG. 8