



US00D963548S

(12) **United States Design Patent**
Zhu

(10) **Patent No.:** **US D963,548 S**

(45) **Date of Patent:** **** Sep. 13, 2022**

- (54) **CAR SEAT GAP STORAGE BOX**
- (71) Applicant: **Binwang Zhu**, Guangdong (CN)
- (72) Inventor: **Binwang Zhu**, Guangdong (CN)
- (**) Term: **15 Years**
- (21) Appl. No.: **29/820,404**
- (22) Filed: **Dec. 21, 2021**
- (51) **LOC (13) Cl.** **12-16**
- (52) **U.S. Cl.**
USPC **D12/419**
- (58) **Field of Classification Search**
USPC D12/422, 425, 400, 406, 415-420, 424,
D12/426
CPC B60R 16/04; B63B 17/00; B63B 35/00;
B63B 7/085; B63B 25/00
See application file for complete search history.

- D943,496 S * 2/2022 Brumby D12/425
- D946,493 S * 3/2022 Huang D12/425
- D947,616 S * 4/2022 Ong D7/553.5
- D948,961 S * 4/2022 Robinson B62D 25/00
D7/620
- D949,636 S * 4/2022 Pan D7/620

* cited by examiner

Primary Examiner — Katrina A Betton

(74) *Attorney, Agent, or Firm* — Che-Yang Chen; Law Office of Michael Chen

(57) **CLAIM**

The ornamental design for a car seat gap storage box, as shown and described.

DESCRIPTION

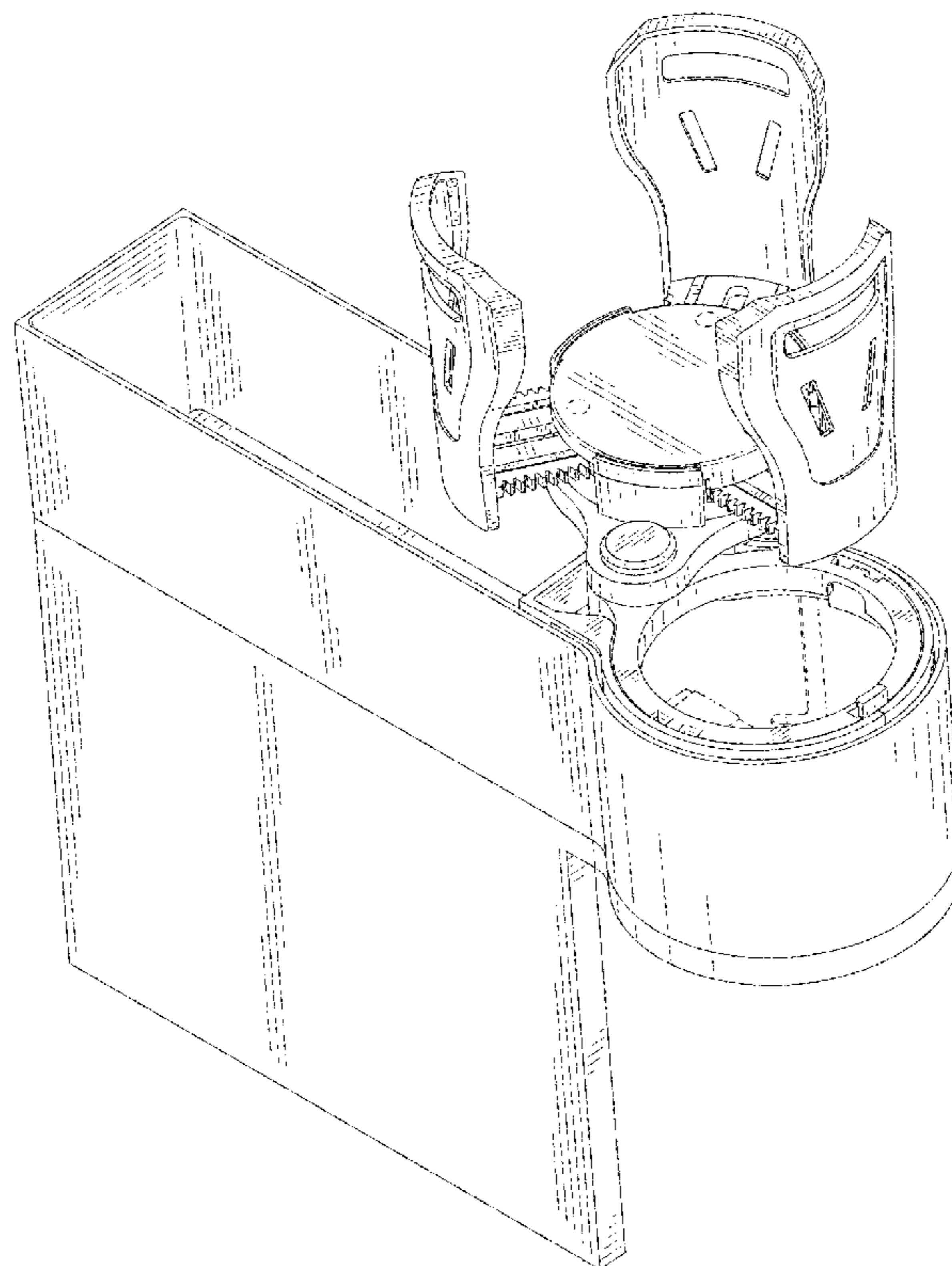
FIG. 1 is a perspective view of the car seat gap storage box showing my new design;
 FIG. 2 is a perspective view thereof from another angle;
 FIG. 3 is a perspective view thereof from a different angle;
 FIG. 4 is a front elevational view thereof;
 FIG. 5 is a rear elevational view thereof;
 FIG. 6 is a left side elevational view thereof;
 FIG. 7 is a right side elevational view thereof;
 FIG. 8 is a top plan view thereof;
 FIG. 9 is a bottom plan view thereof;
 FIG. 10 is a partial enlarged view of portion 9 in FIG. 1; and,
 FIG. 11 is a perspective view thereof when the storage box is in use.

(56) **References Cited**

U.S. PATENT DOCUMENTS

- D835,018 S * 12/2018 Fiore, IV D14/258
- D927,184 S * 8/2021 Wambolt, Sr. D3/303
- D927,405 S * 8/2021 Zheng
- D934,152 S * 10/2021 Lai H04M 1/04
D12/415
- D935,380 S 11/2021 Ma
- D938,892 S * 12/2021 Lai D12/415
- D940,520 S * 1/2022 Avellanet D7/701
- D940,635 S * 1/2022 Yang D12/419
- D940,636 S * 1/2022 Yang D12/419
- D942,217 S * 2/2022 Hong D7/553.5

1 Claim, 11 Drawing Sheets



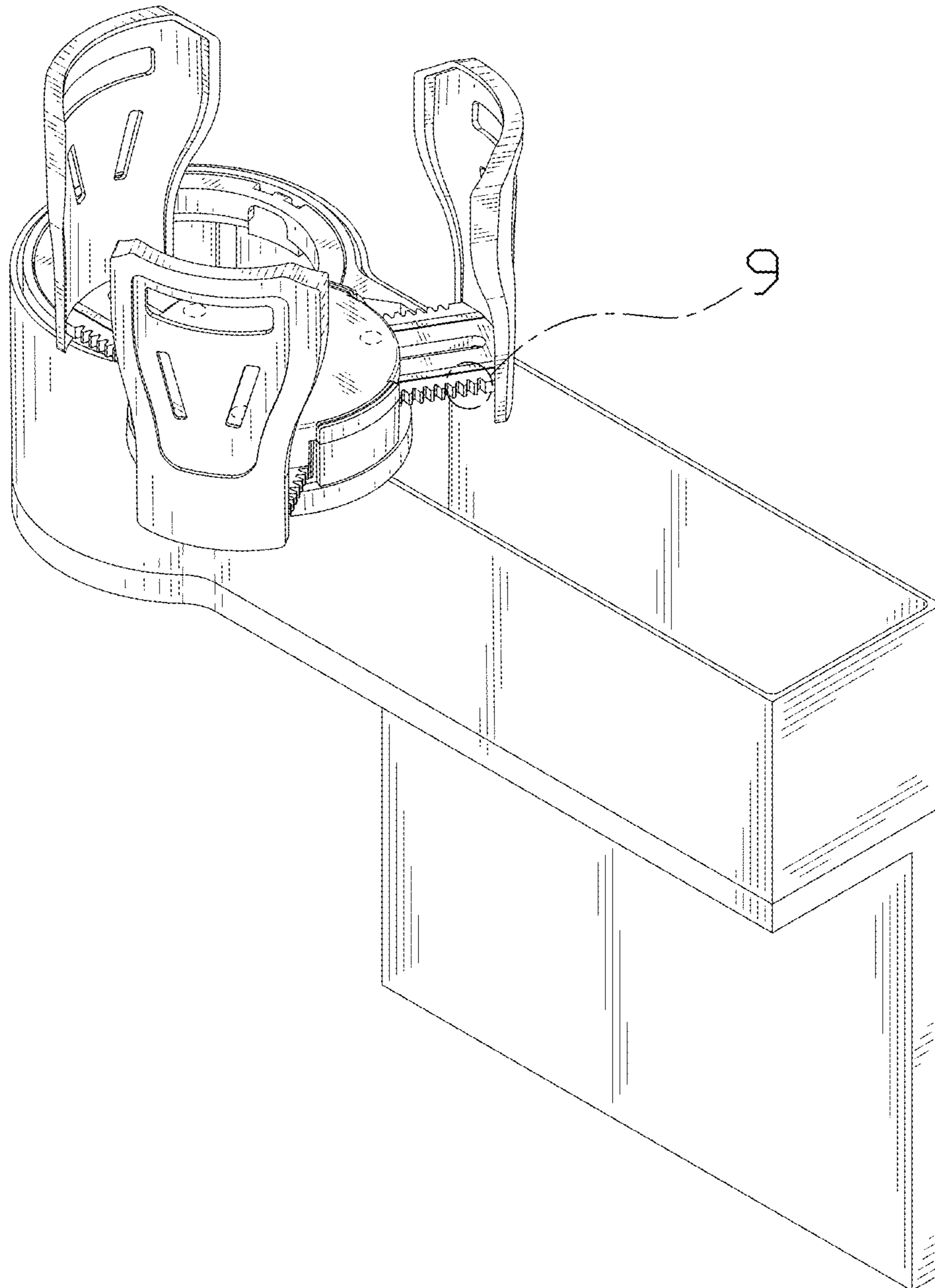


FIG. 1

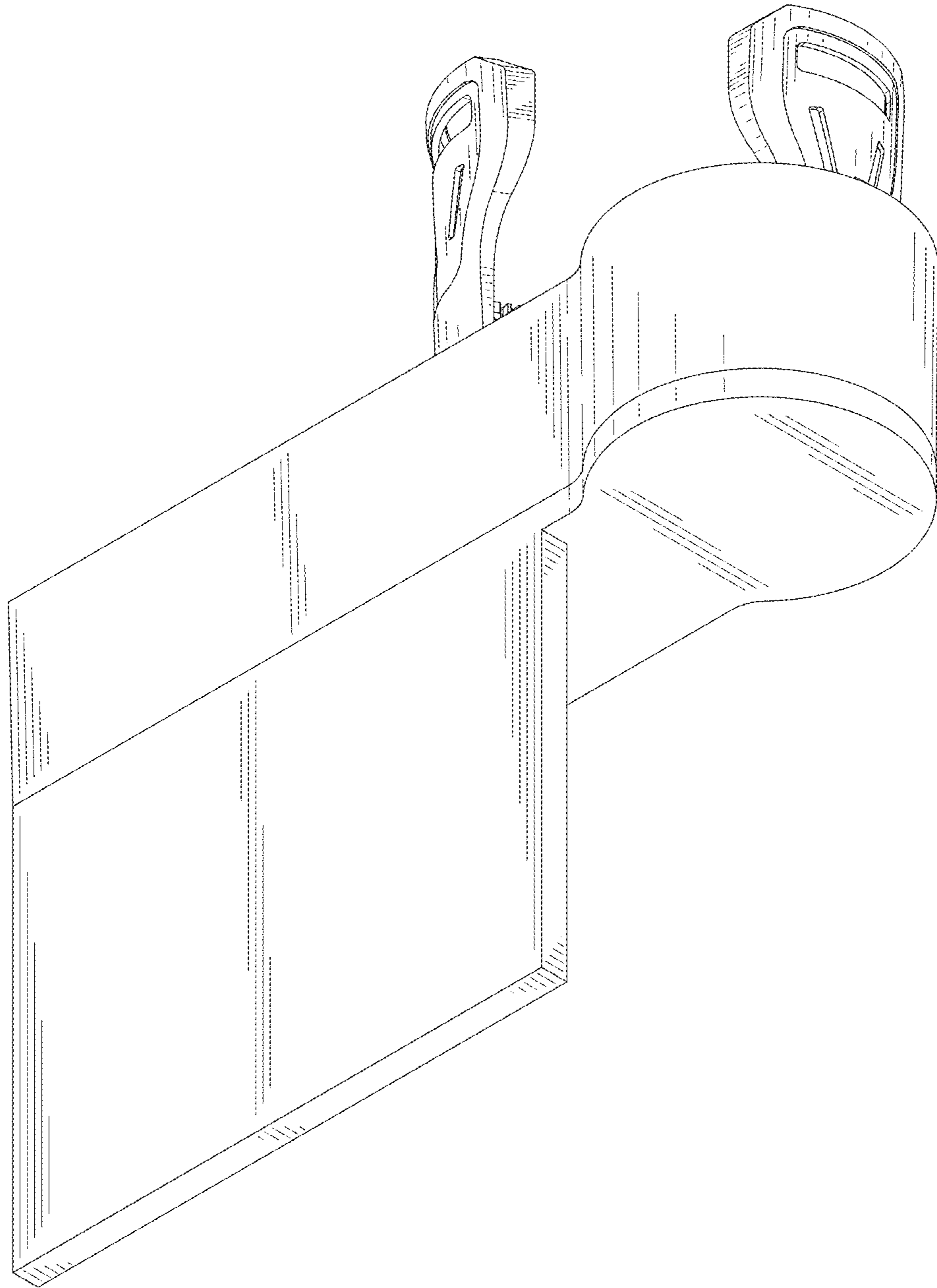


FIG. 2

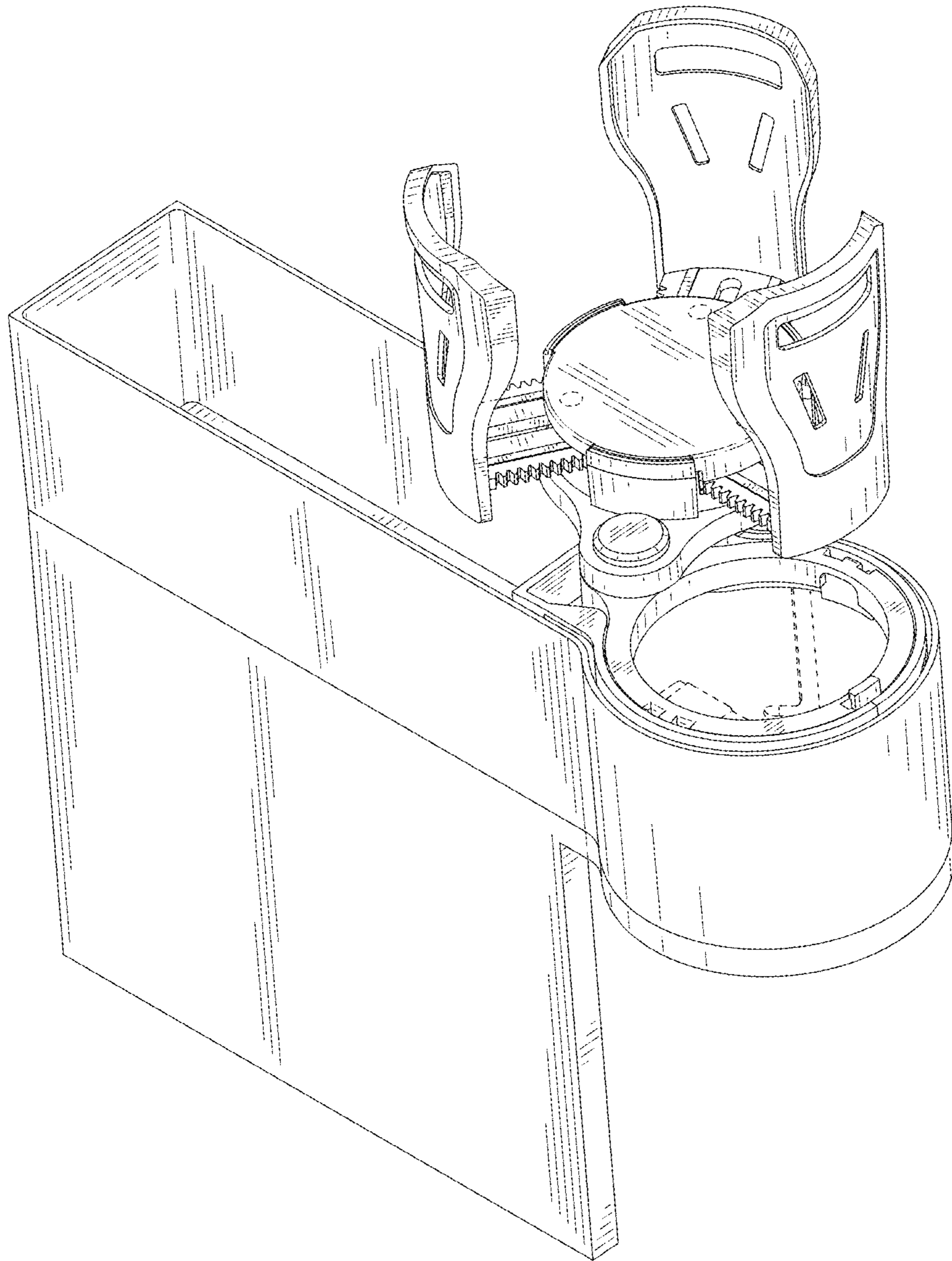


FIG. 3

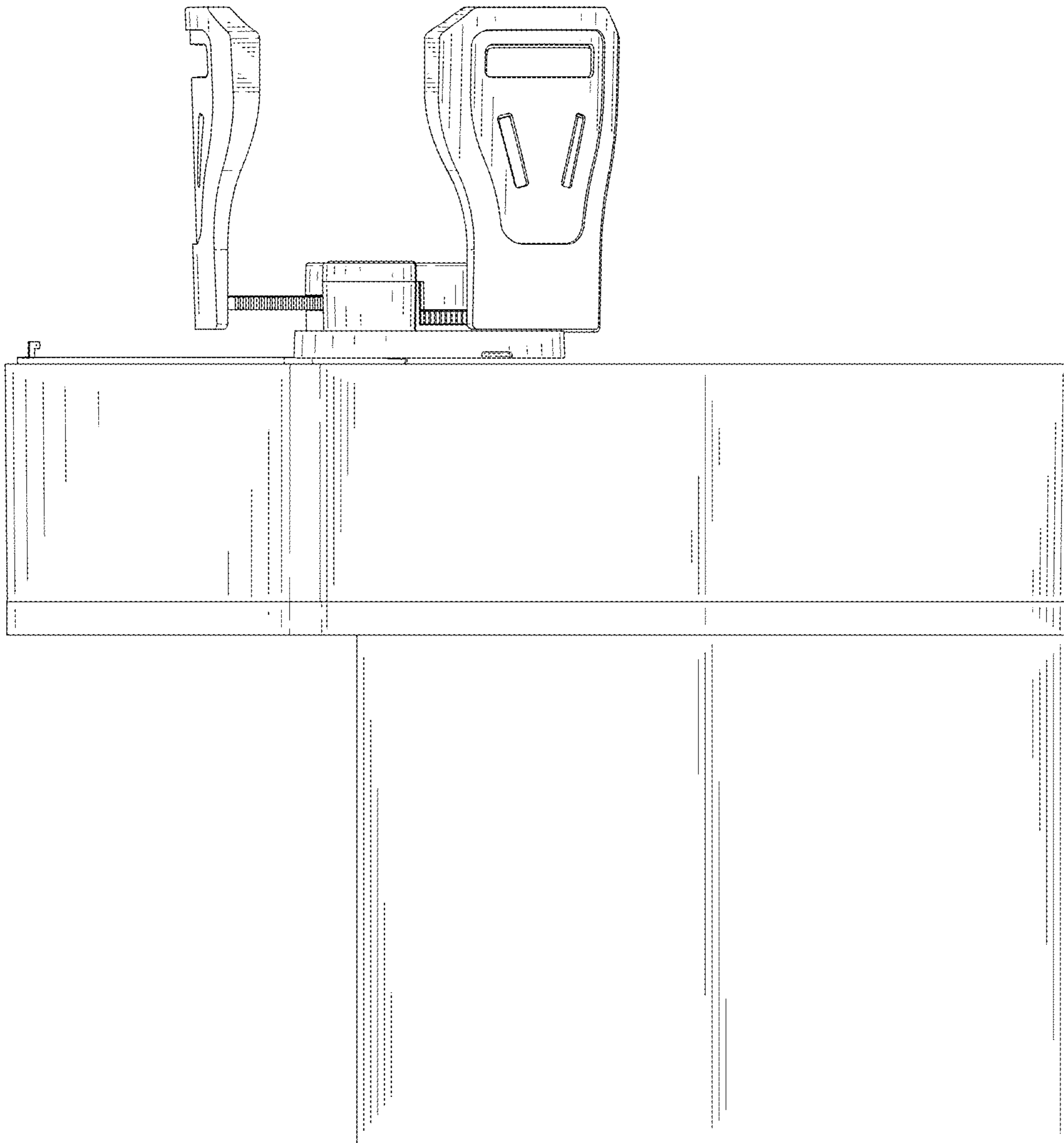


FIG. 4

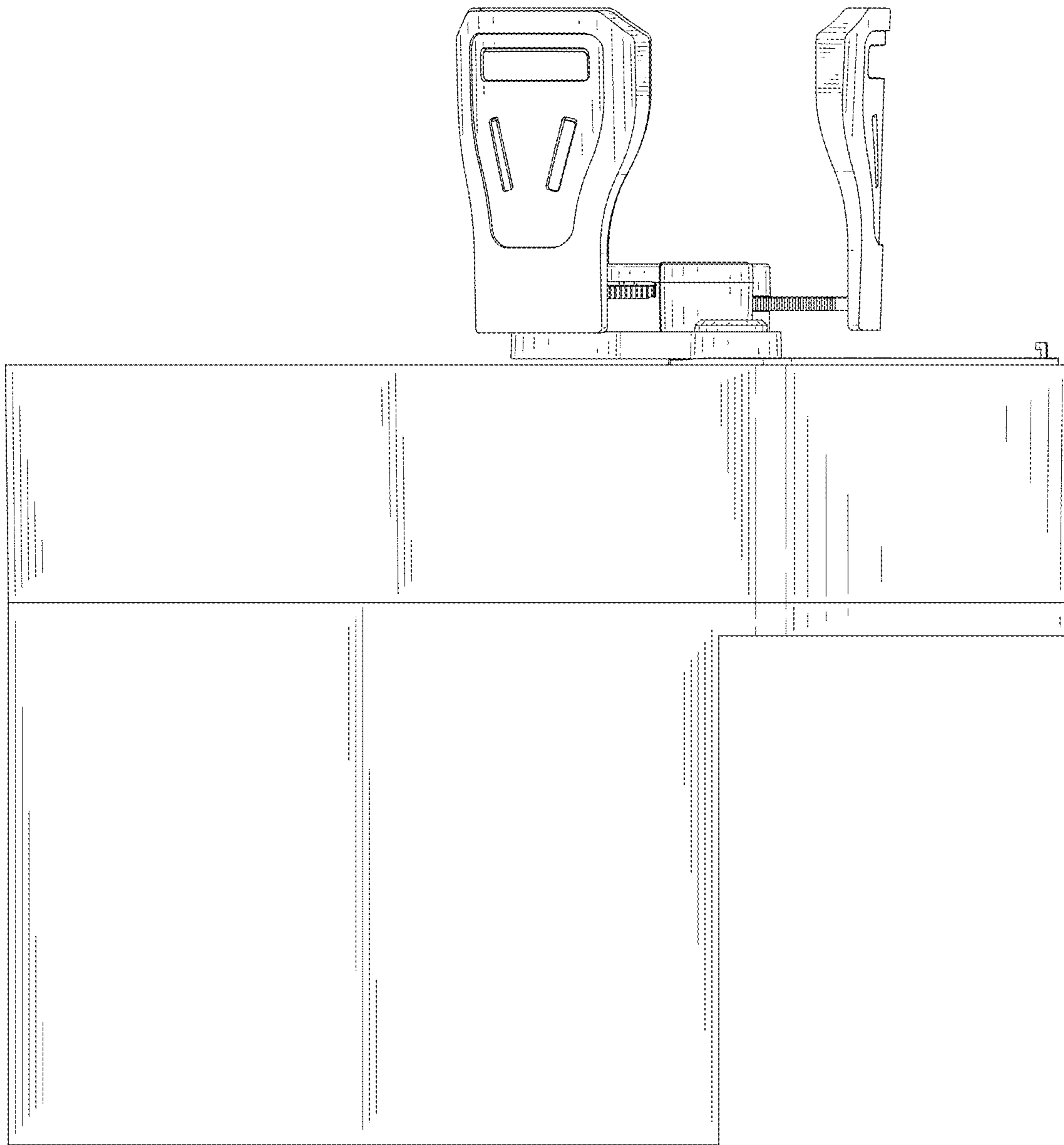


FIG. 5

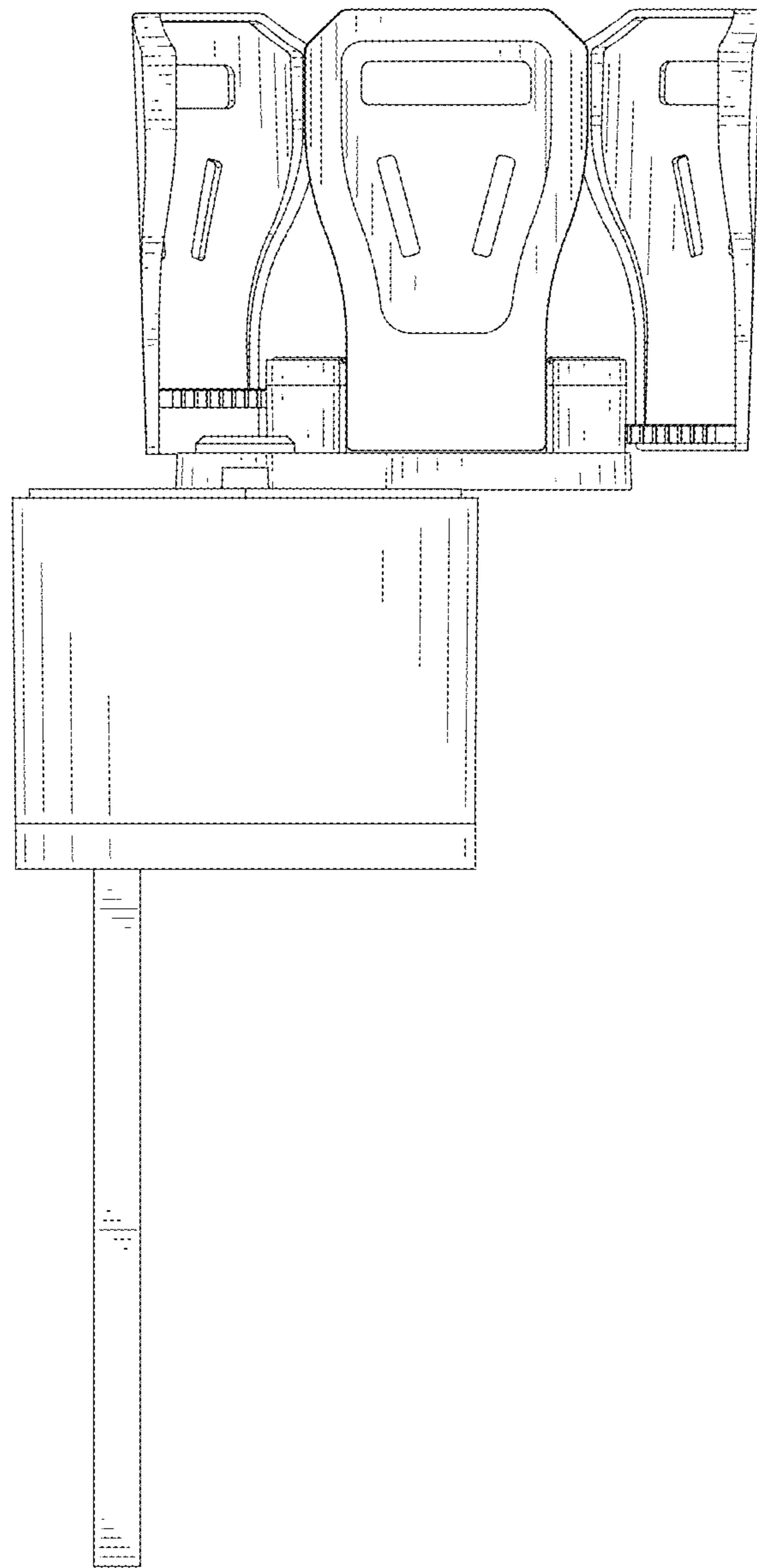


FIG. 6

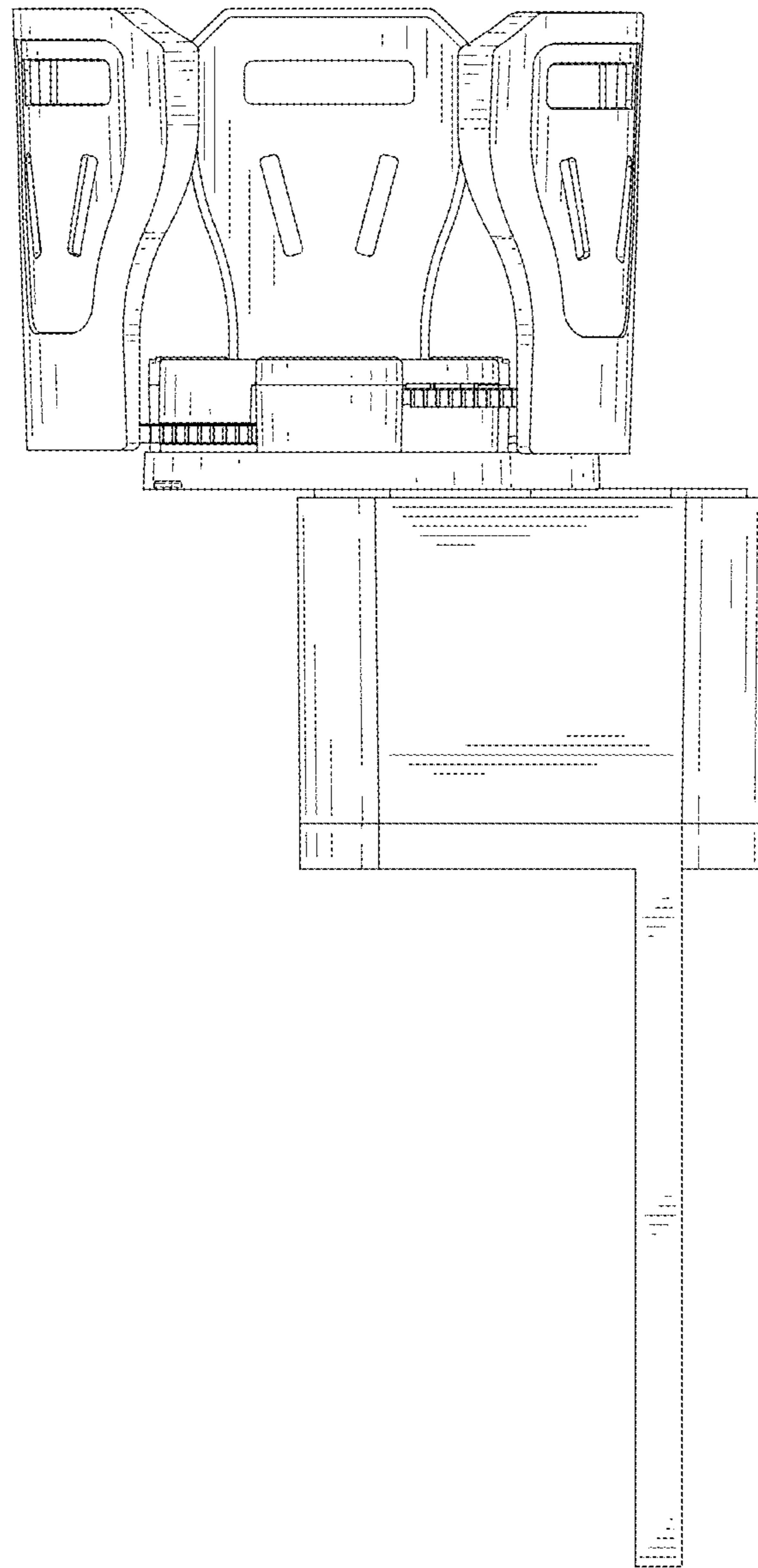


FIG. 7

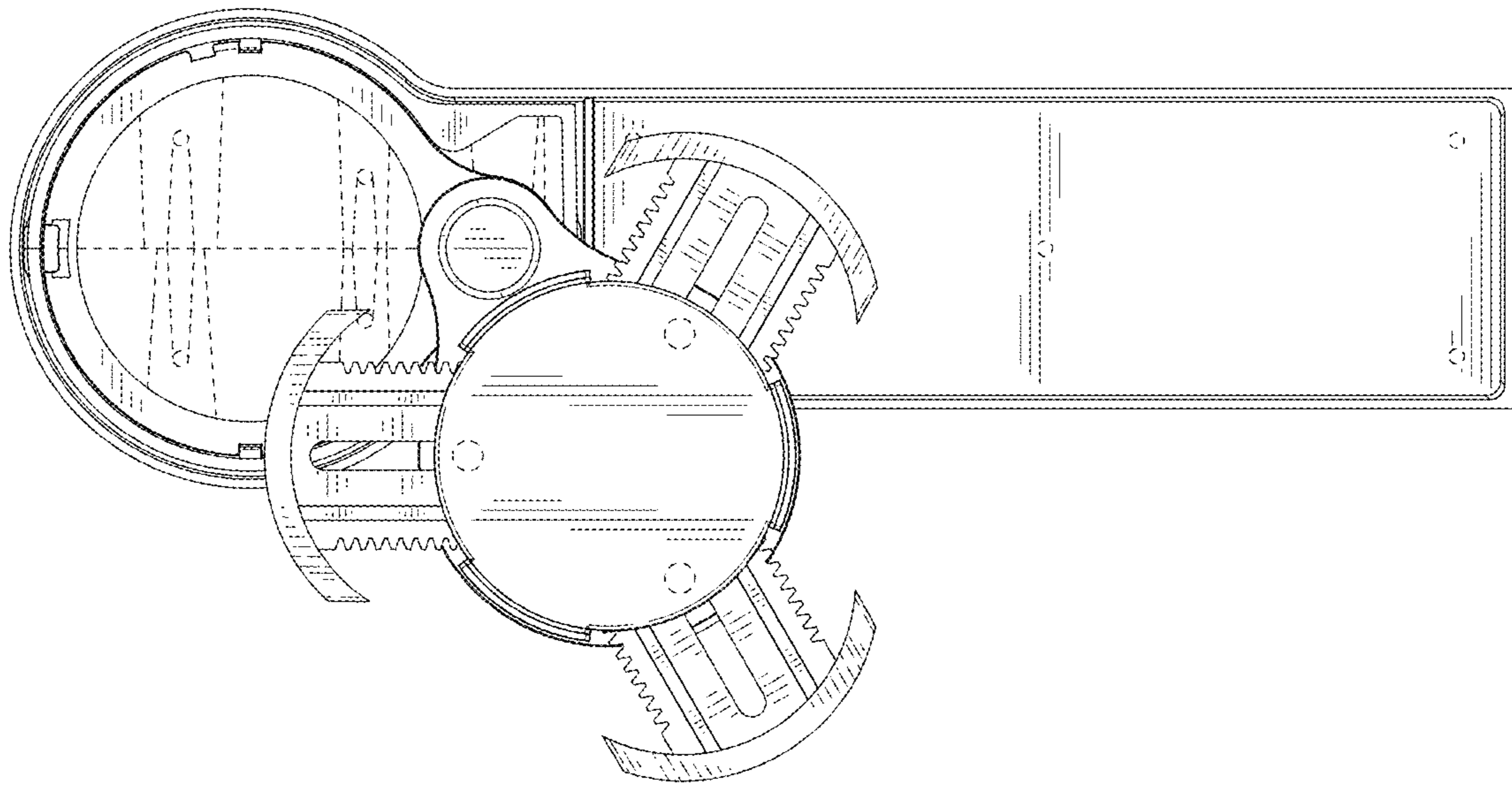


FIG. 8

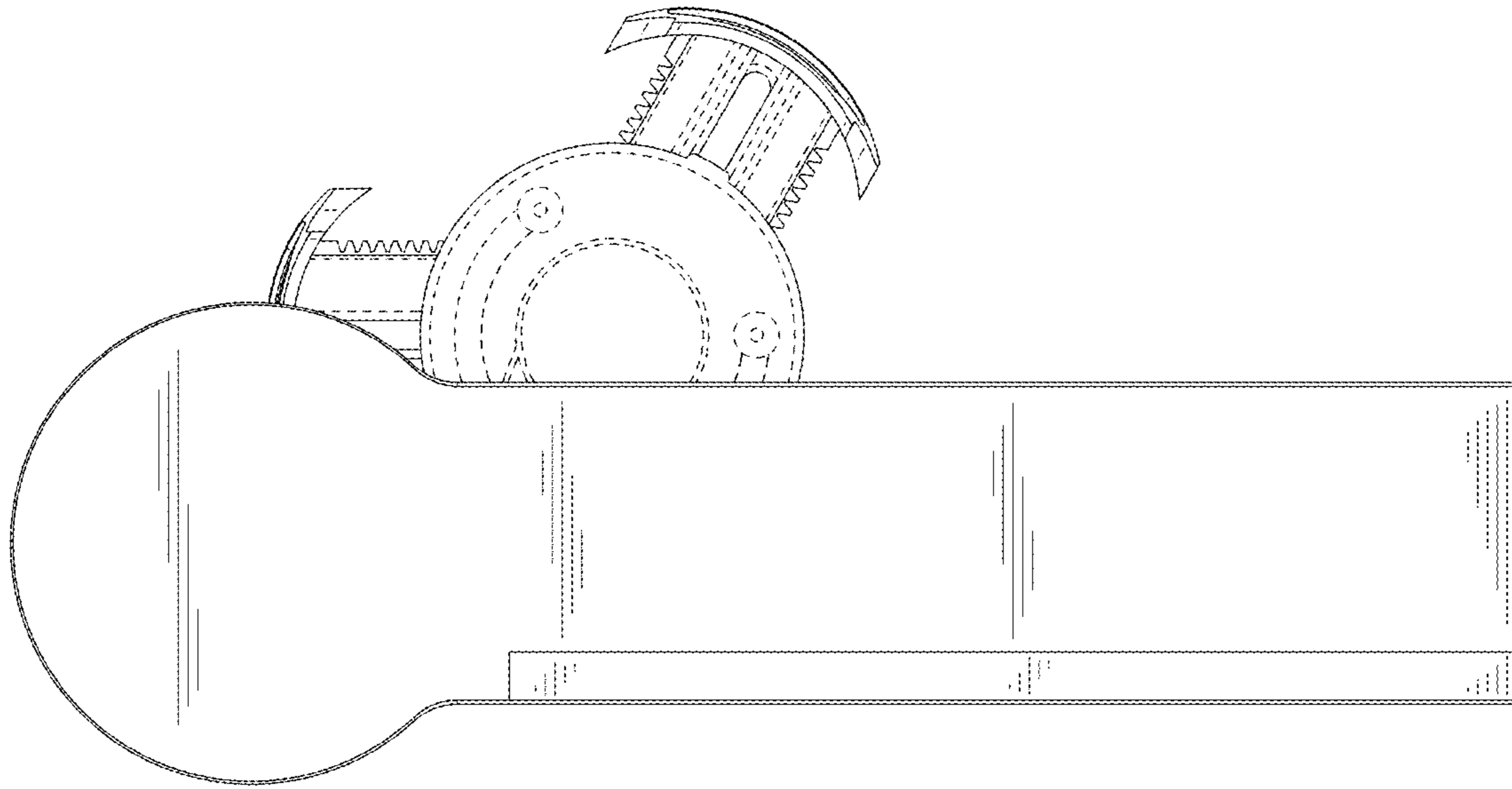


FIG. 9

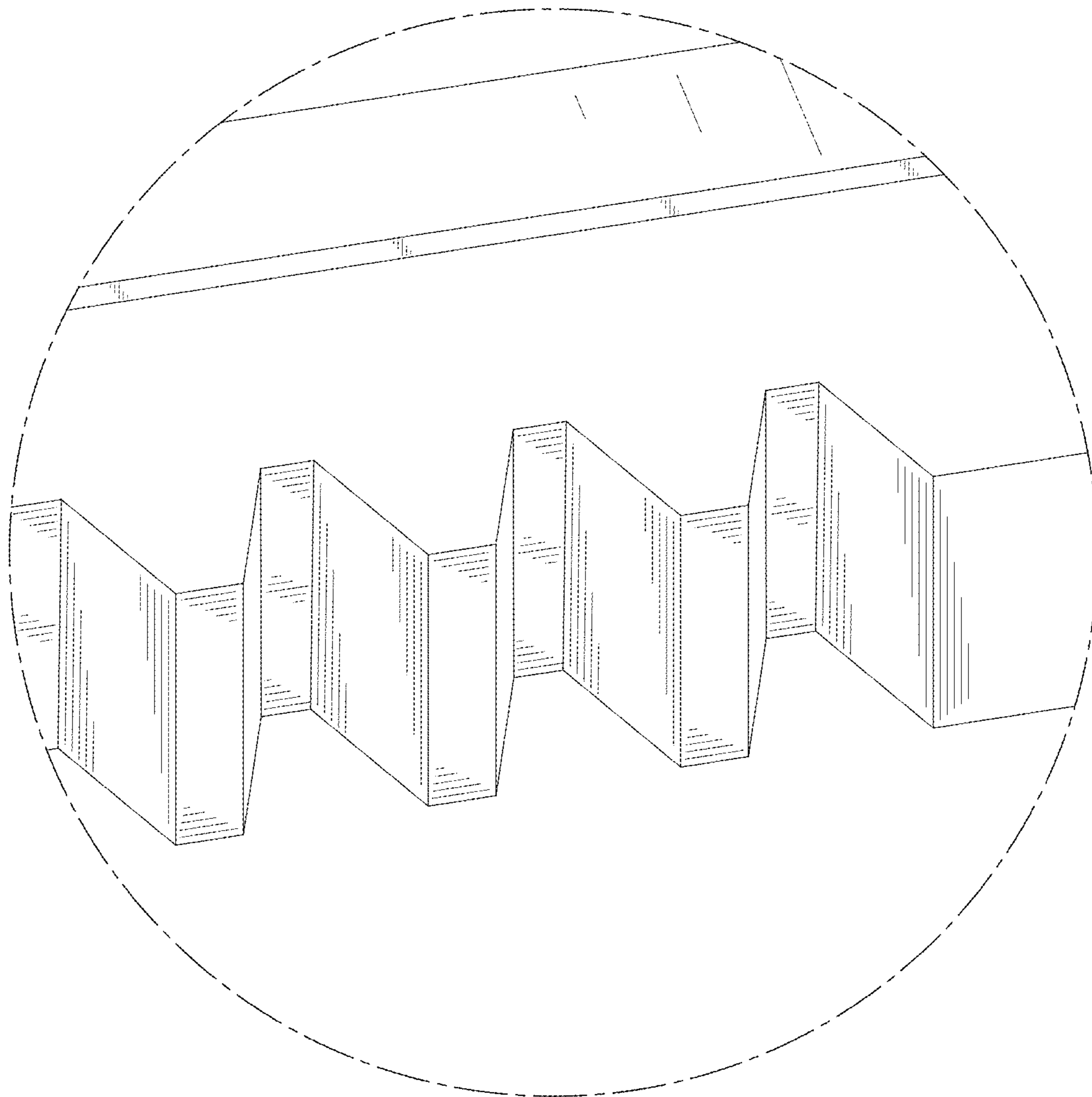


FIG. 10

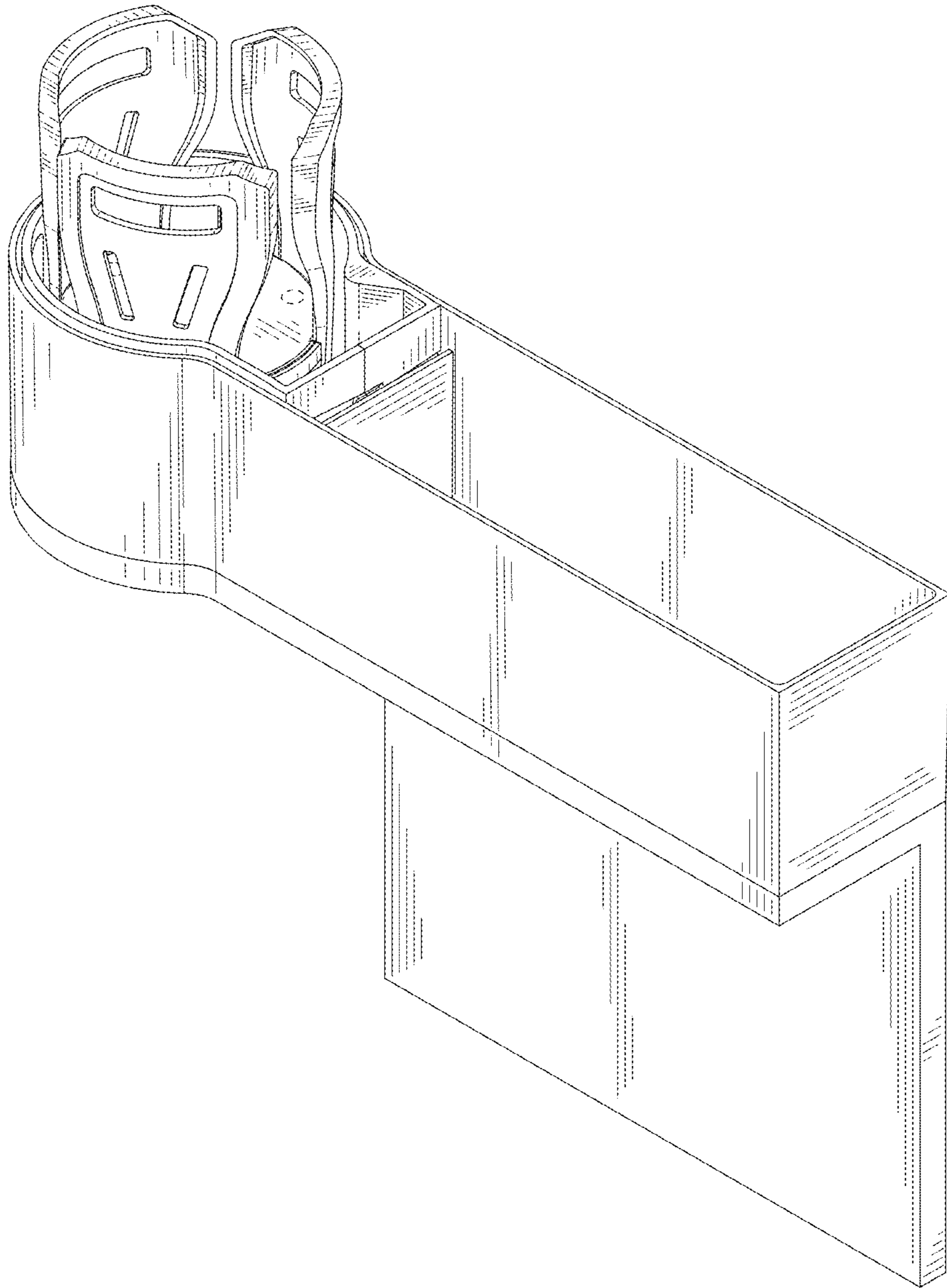


FIG. 11