



US00D963546S

(12) **United States Design Patent**  
**Becker**

(10) **Patent No.:** **US D963,546 S**

(45) **Date of Patent:** **\*\* Sep. 13, 2022**

(54) **FUEL TANK**

(71) Applicant: **Brian James Becker**, Salem, OR (US)

(72) Inventor: **Brian James Becker**, Salem, OR (US)

(\*\*) Term: **15 Years**

(21) Appl. No.: **29/734,229**

(22) Filed: **May 11, 2020**

(51) **LOC (13) Cl.** ..... **12-06**

(52) **U.S. Cl.**  
USPC ..... **D12/218**

(58) **Field of Classification Search**  
USPC ..... D12/110, 197, 218, 223; D9/435-454;  
D15/1, 3, 5, 17, 28

CPC ..... B60K 15/03; B60K 15/07; B62J 35/00;  
B62K 11/00; B62K 11/04

See application file for complete search history.

(56) **References Cited**

**U.S. PATENT DOCUMENTS**

D390,183 S *	2/1998	Manwill	.....	D12/218
D588,054 S *	3/2009	Xi-Ren	.....	D12/218
D623,720 S *	9/2010	Brown	.....	D23/211.1
D644,160 S *	8/2011	Fries	.....	D12/218
D669,100 S *	10/2012	Ringer	.....	D15/28

D685,452 S *	7/2013	Turner	.....	D23/211.1
D698,302 S *	1/2014	Waymire	.....	D12/218
D702,320 S *	4/2014	Pifer	.....	D23/233
D717,721 S *	11/2014	Guaresimo	.....	D12/414.1
D728,632 S *	5/2015	Klassen	.....	D15/28
D728,633 S *	5/2015	Klassen	.....	D15/28

\* cited by examiner

*Primary Examiner* — Darlington Ly

(74) *Attorney, Agent, or Firm* — Plager Shack LLP; Mark H. Plager; Michael J. O'Brien

(57) **CLAIM**

The ornamental design for a fuel tank, as shown and described.

**DESCRIPTION**

FIG. 1 is a front perspective view of a fuel tank embodying my new design;

FIG. 2 is a front elevation view thereof;

FIG. 3 is a rear elevation view thereof;

FIG. 4 is a left side elevation view thereof;

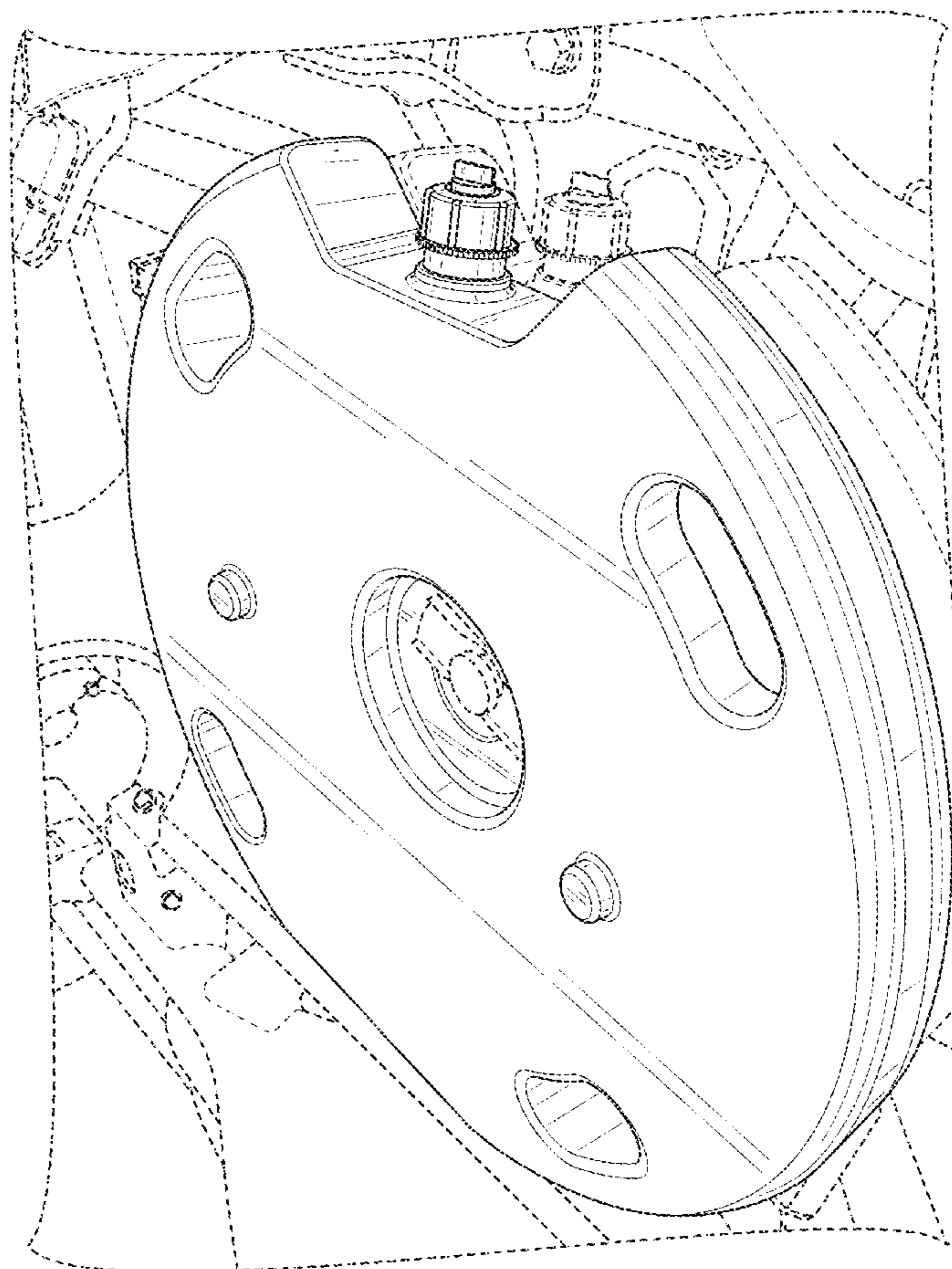
FIG. 5 is a right side elevation view thereof;

FIG. 6 is a top plan view thereof; and,

FIG. 7 is a bottom plan view thereof.

The broken line showing of the underside of a vehicle is provided for the purpose illustrating environmental structure and forms no part of the claimed design.

**1 Claim, 5 Drawing Sheets**



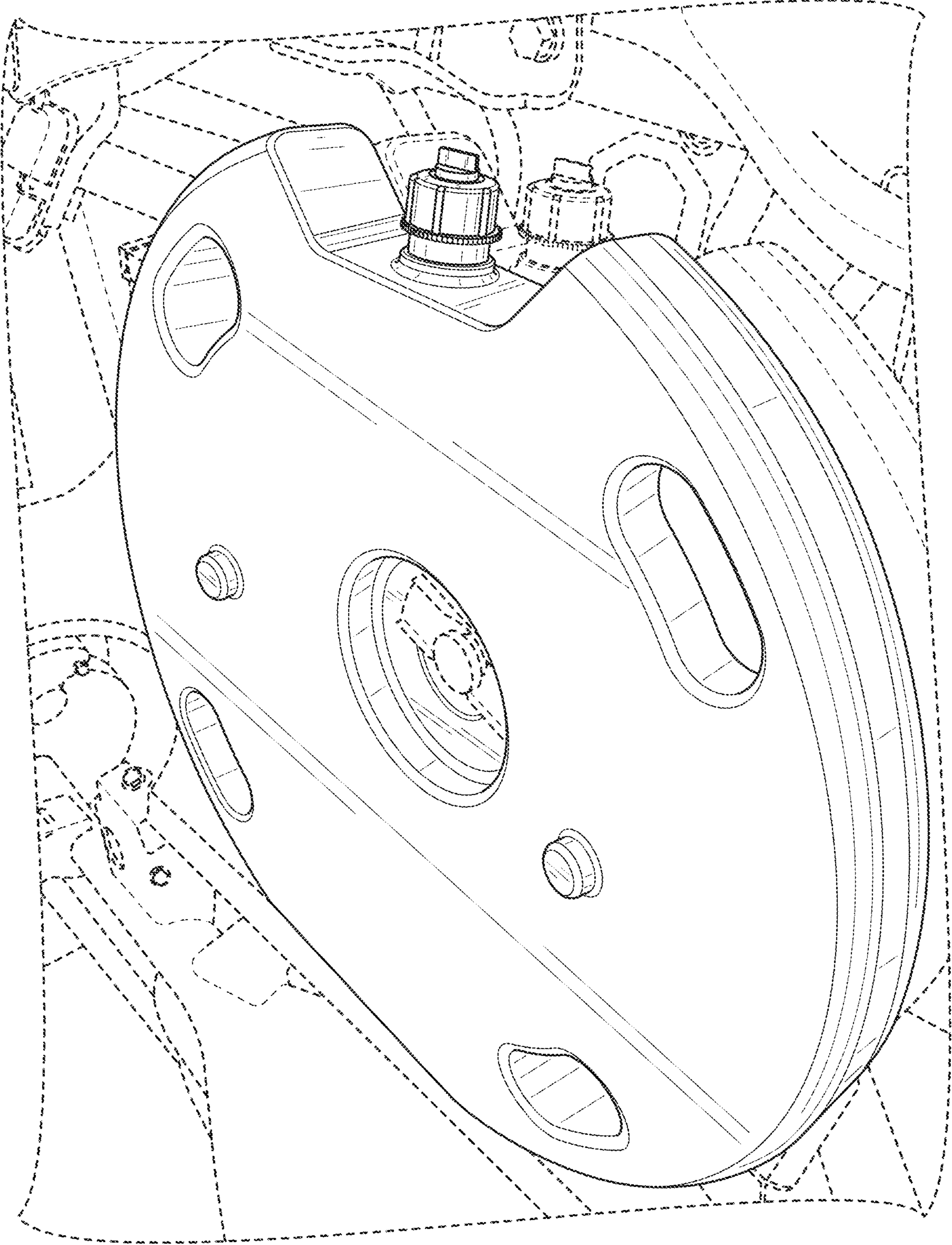


FIG. 1

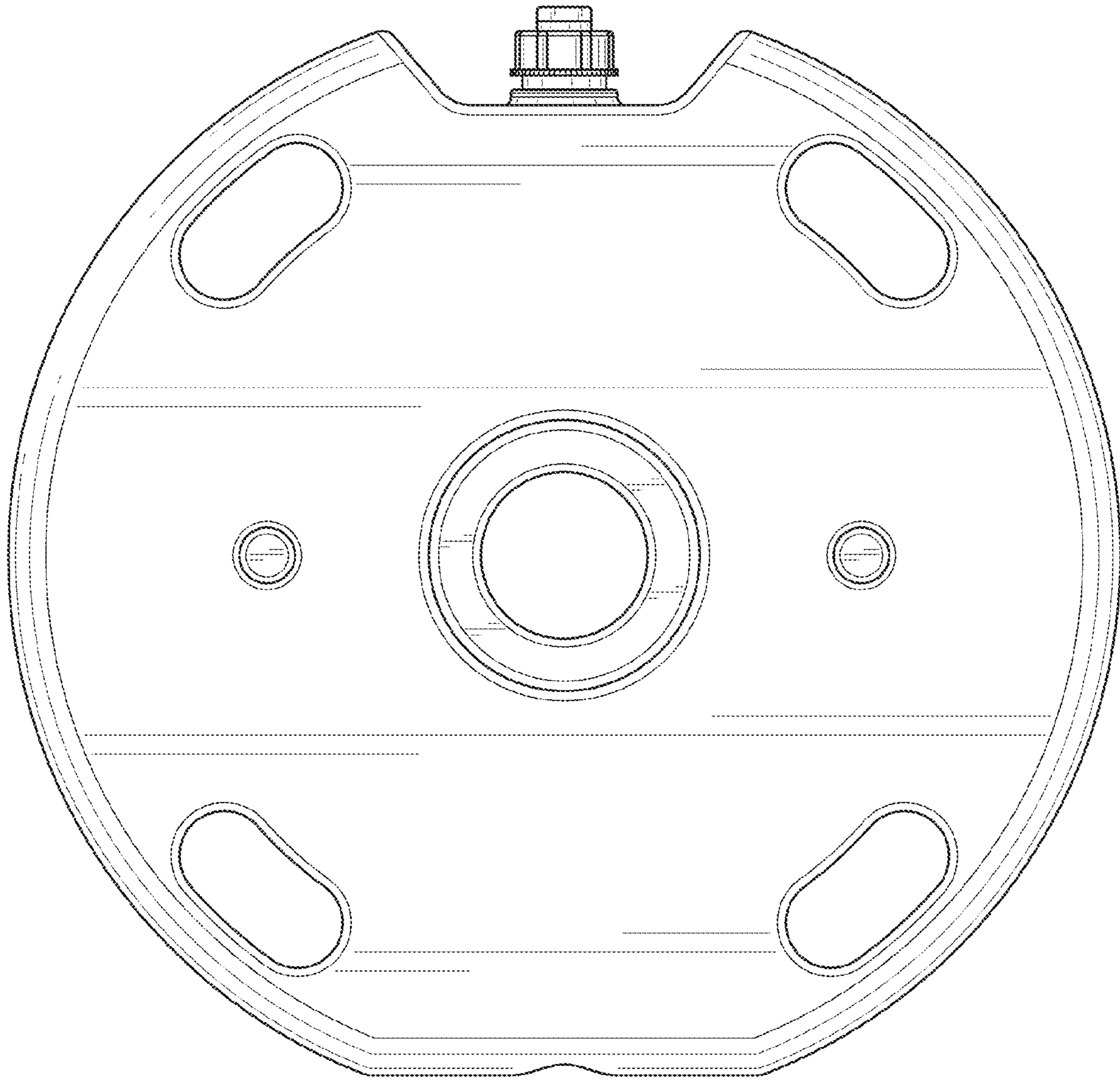


FIG. 2

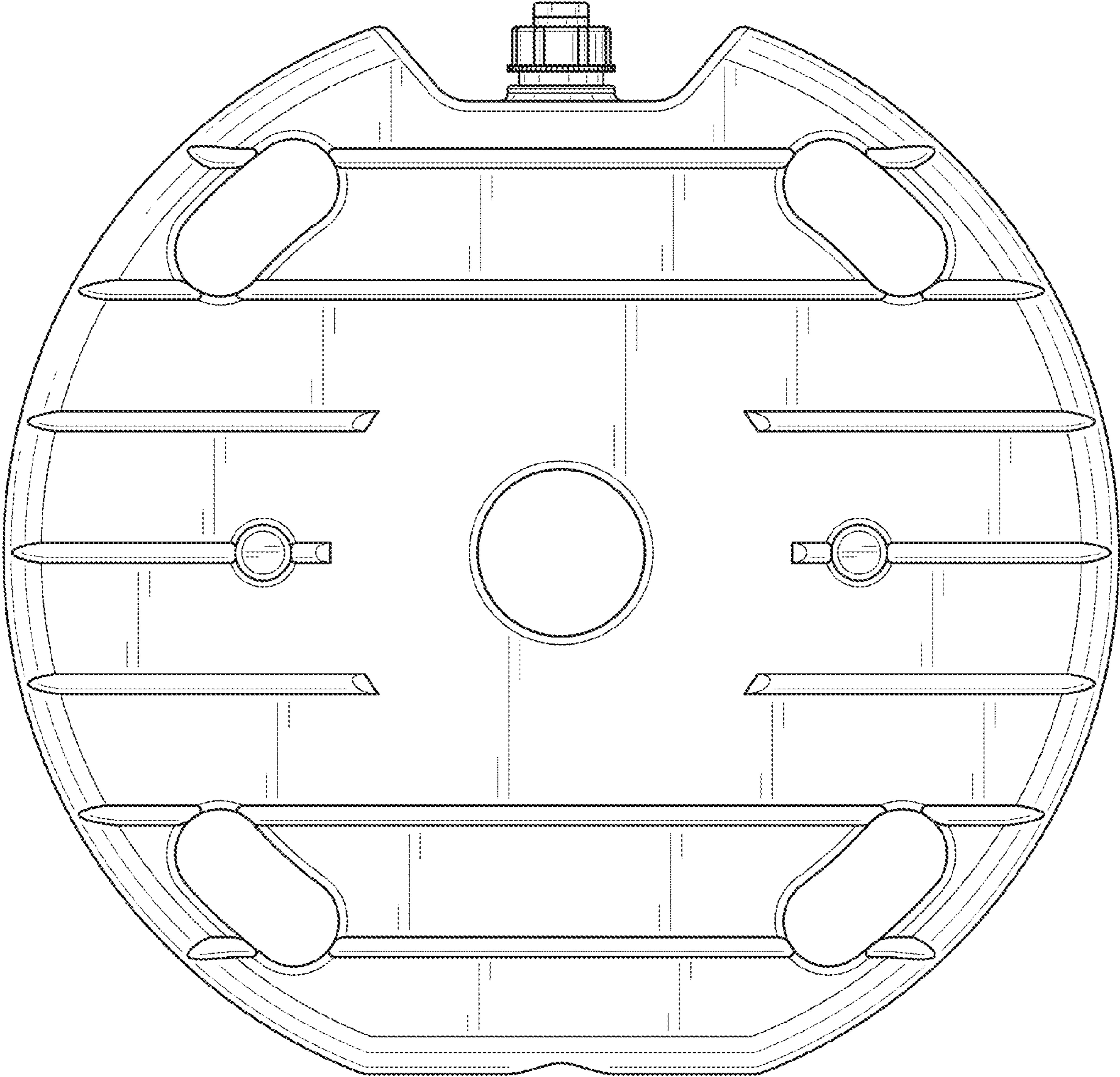


FIG. 3

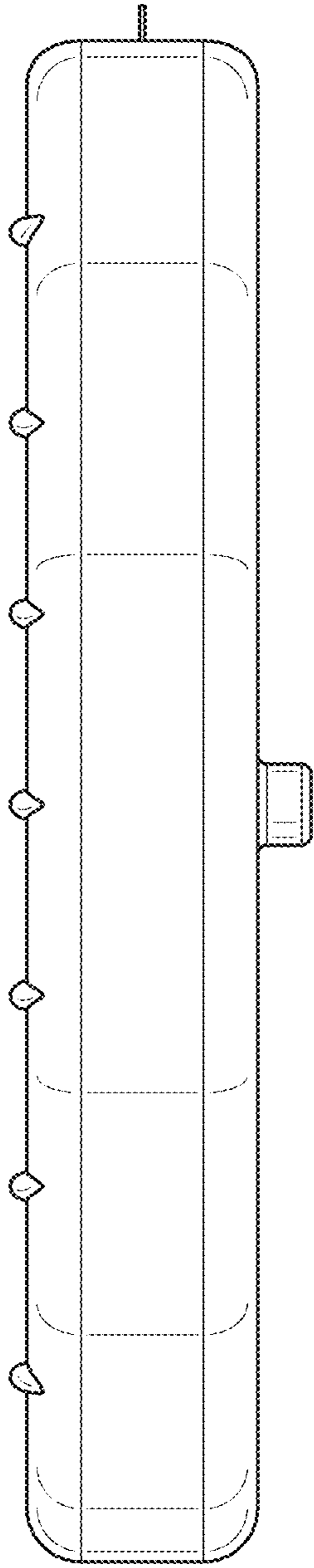


FIG. 4

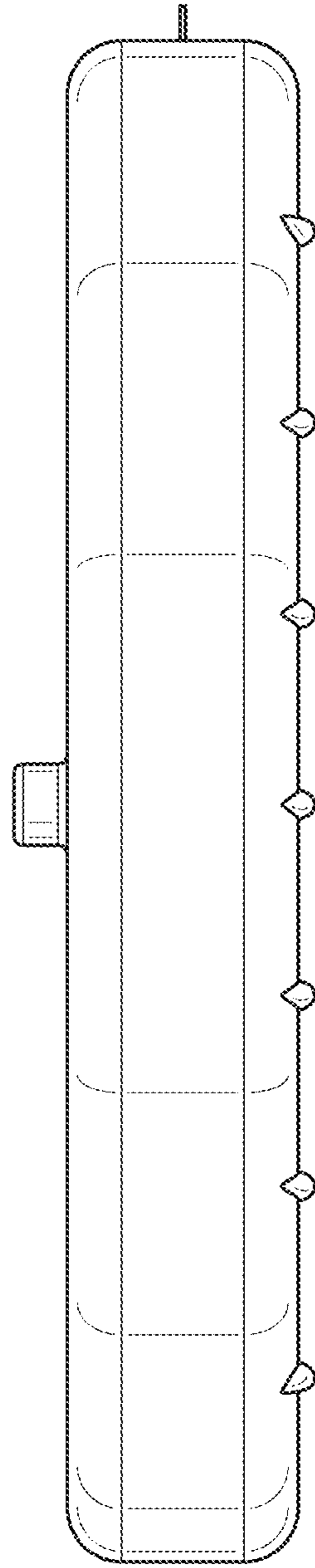


FIG. 5

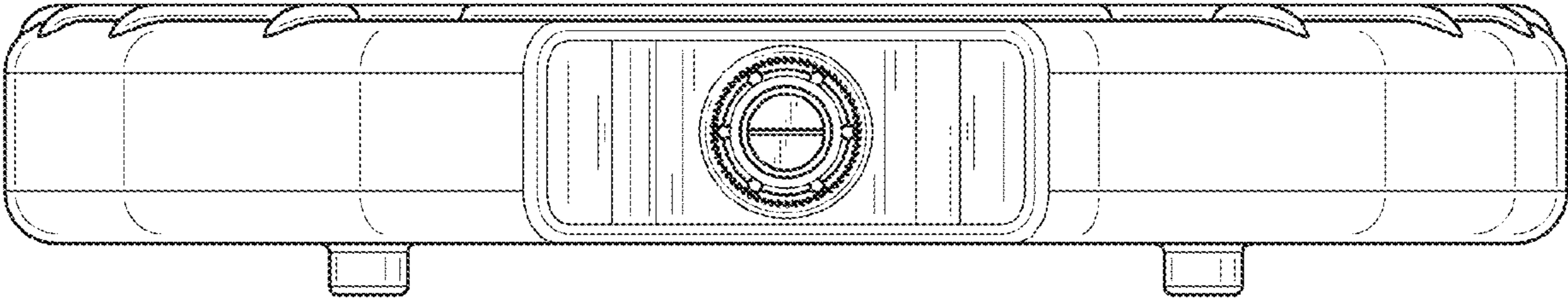


FIG. 6

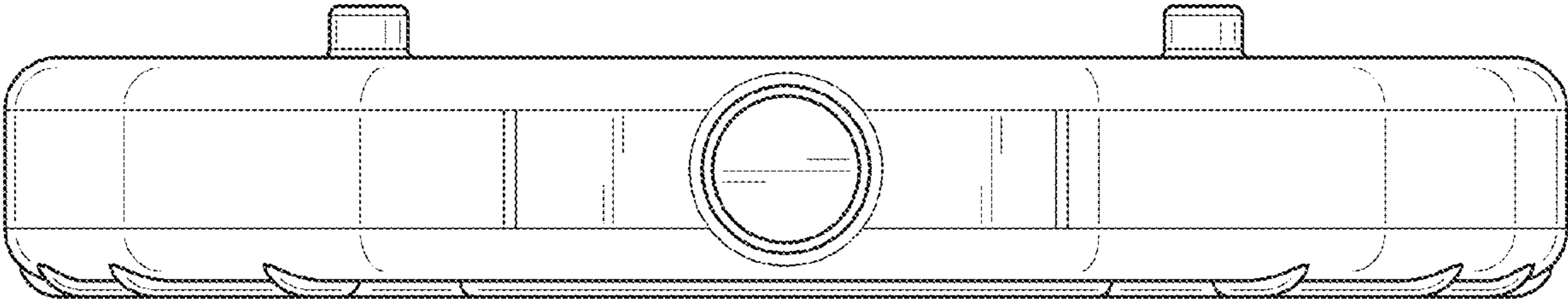


FIG. 7