



US00D963542S

(12) **United States Design Patent** (10) **Patent No.:** **US D963,542 S**
C lerier (45) **Date of Patent:** **** Sep. 13, 2022**

(54) **VEHICLE DOOR**
(71) Applicant: **VOLVO CAR CORPORATION,**
Gothenburg (SE)
(72) Inventor: **Maxime C lerier,** Gothenburg (SE)
(73) Assignee: **VOLVO CAR CORPORATION,**
Gothenburg (SE)

D593,918 S * 6/2009 Larson D12/196
D660,759 S * 5/2012 Matsumoto D12/196
D676,366 S * 2/2013 Yamada D12/196
D686,553 S * 7/2013 Kwon D12/196
D705,149 S * 5/2014 Sakae D12/196
D749,481 S * 2/2016 Kim D12/196
D770,955 S * 11/2016 Bae D12/196
D801,247 S * 10/2017 Lee D12/196
D803,122 S * 11/2017 Granlund D12/196
D859,255 S * 9/2019 Lee D12/196
D892,695 S * 8/2020 Oh D12/196

(**) Term: **15 Years**

(21) Appl. No.: **29/738,446**

(22) Filed: **Jun. 17, 2020**

(30) **Foreign Application Priority Data**

Dec. 18, 2019 (DE) 402019000998.8

(51) **LOC (13) Cl.** **12-16**

(52) **U.S. Cl.**
USPC **D12/196**

(58) **Field of Classification Search**
USPC ... D12/1, 12, 13, 14, 15, 82, 83, 84, 85, 86,
D12/88, 89, 90, 91, 92, 93, 94, 95, 96,
D12/97, 98, 99, 100, 184, 190, 192, 193,
D12/195, 196, 400, 414; D21/533, 548,
D21/552, 561; D15/10, 11, 12, 17, 22,
D15/23, 24, 25, 26, 28, 30, 33

CPC . B60J 5/04; B60J 5/0412; B60J 5/0416; B60J
5/0425; B60J 5/0437; B60J 5/0441; B60J
5/0447; B60J 5/0463; B60J 5/0469; B60J
5/0476; B60J 5/0486; B60J 5/0487; B62D
25/02; B62D 35/00; B60N 3/00

See application file for complete search history.

(56) **References Cited**

U.S. PATENT DOCUMENTS

D489,305 S * 5/2004 Kim D12/196
D558,112 S * 12/2007 Leclercq D12/196

OTHER PUBLICATIONS

Volvo C40 Recharge, Published Mar. 2, 2021 [online], [retrieved on
May 18, 2022], Retrieved from the Internet: [https://www.kbb.com/
car-news/2022-volvo-c40-recharge-volvos-first-pure-ev-design/](https://www.kbb.com/car-news/2022-volvo-c40-recharge-volvos-first-pure-ev-design/) (Year:
2021).*

* cited by examiner

Primary Examiner — Cary M Robinson
Assistant Examiner — Adam C Mager
(74) *Attorney, Agent, or Firm* — Berenato & White, LLC

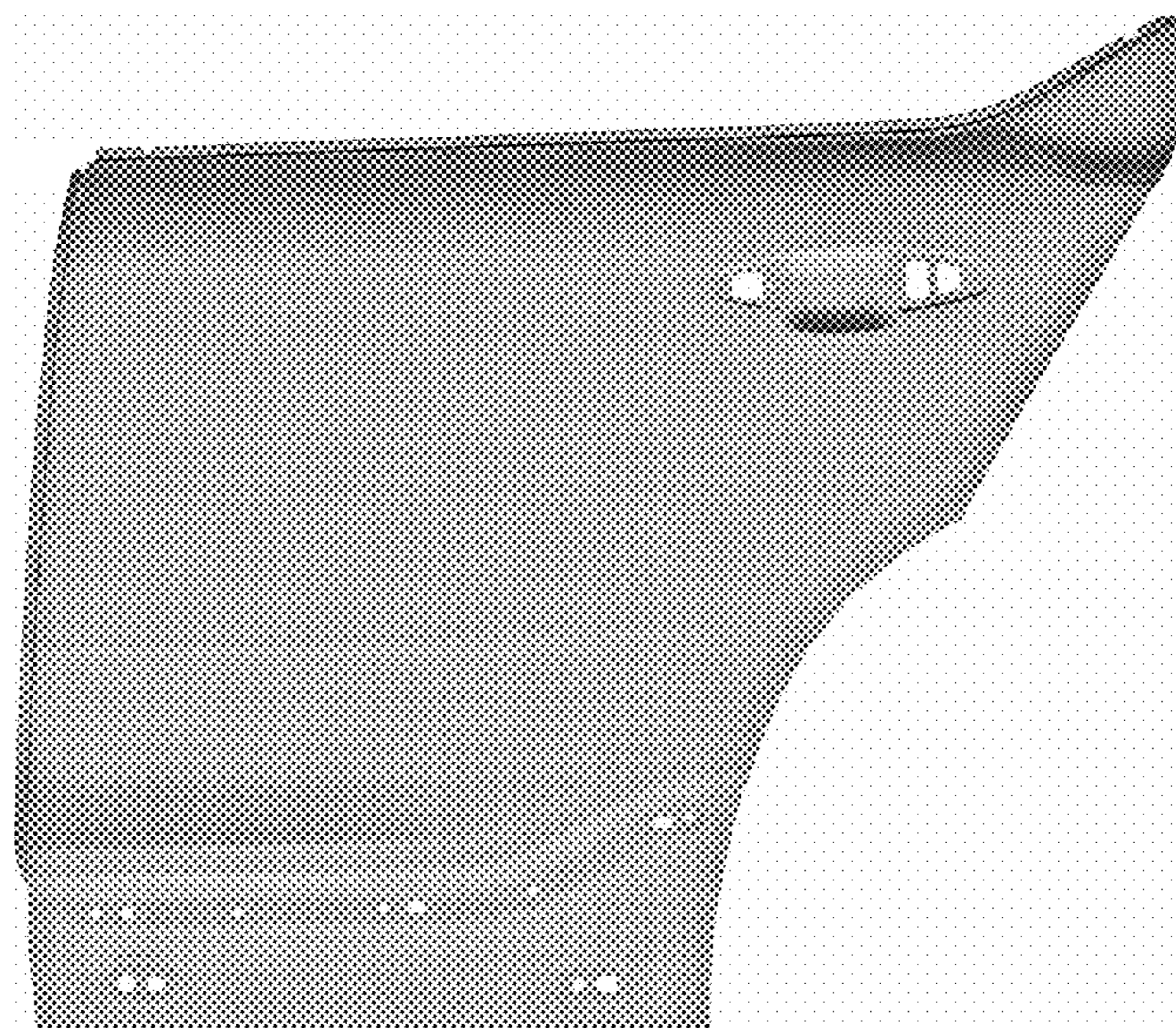
(57) **CLAIM**

The ornamental design for a vehicle door, as shown and
described.

DESCRIPTION

FIG. 1 is a front view of a left side vehicle door showing my
new design;
FIG. 2 is a front right perspective view thereof;
FIG. 3 is a rear left perspective view thereof;
FIG. 4 is a right side view thereof;
FIG. 5 is a left side view thereof;
FIG. 6 is a front view of a right side vehicle door showing
my new design;
FIG. 7 is a top view thereof; and,
FIG. 8 is a bottom view thereof.

1 Claim, 8 Drawing Sheets



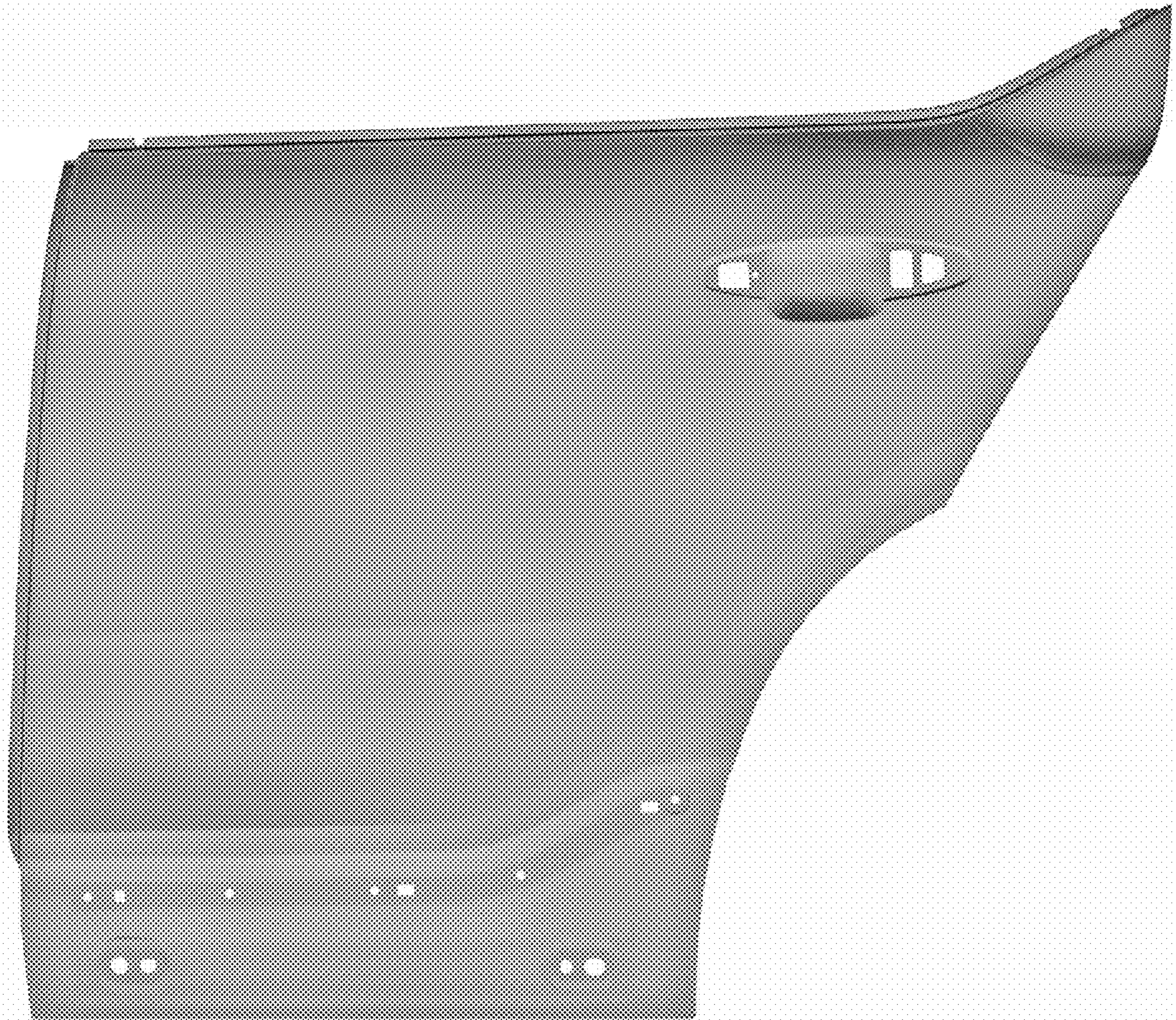


FIG. 1



FIG. 2



FIG. 3

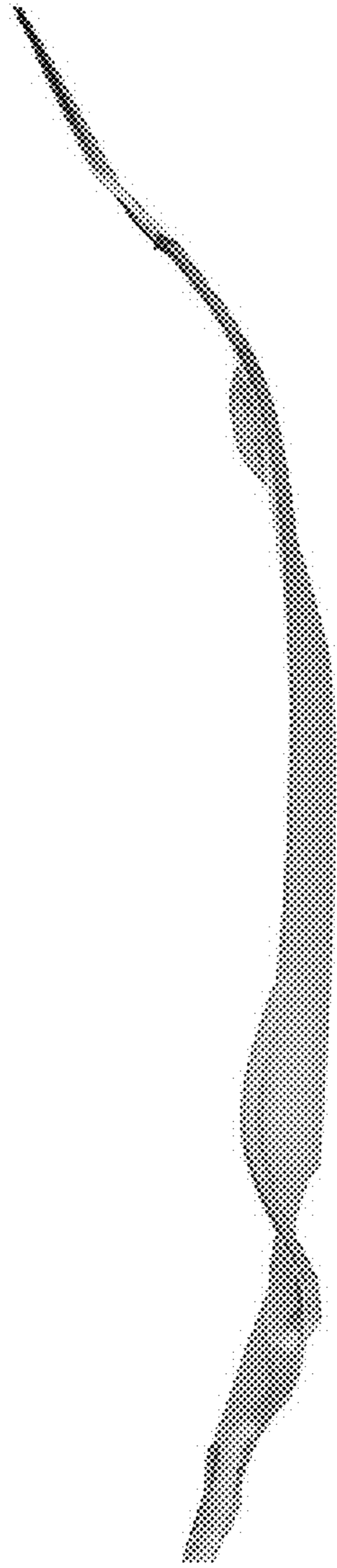


FIG. 4

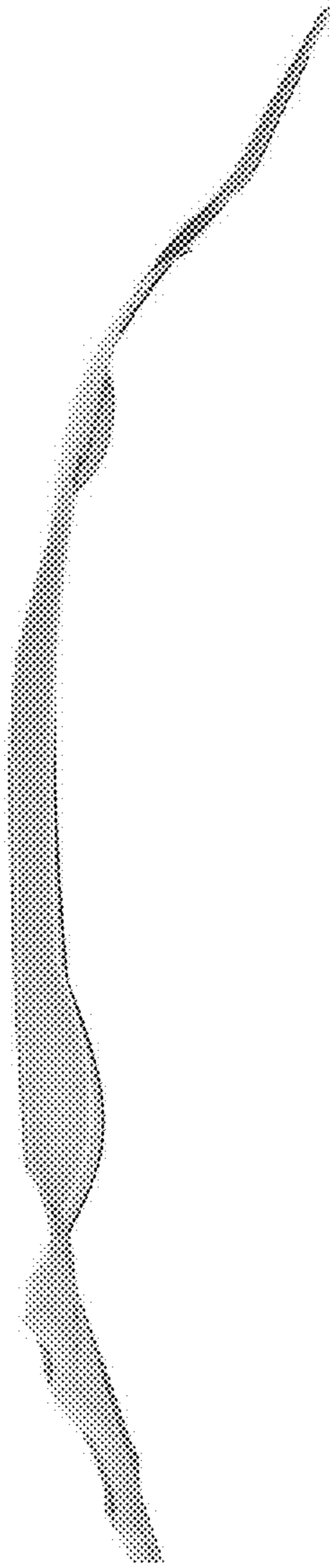


FIG. 5

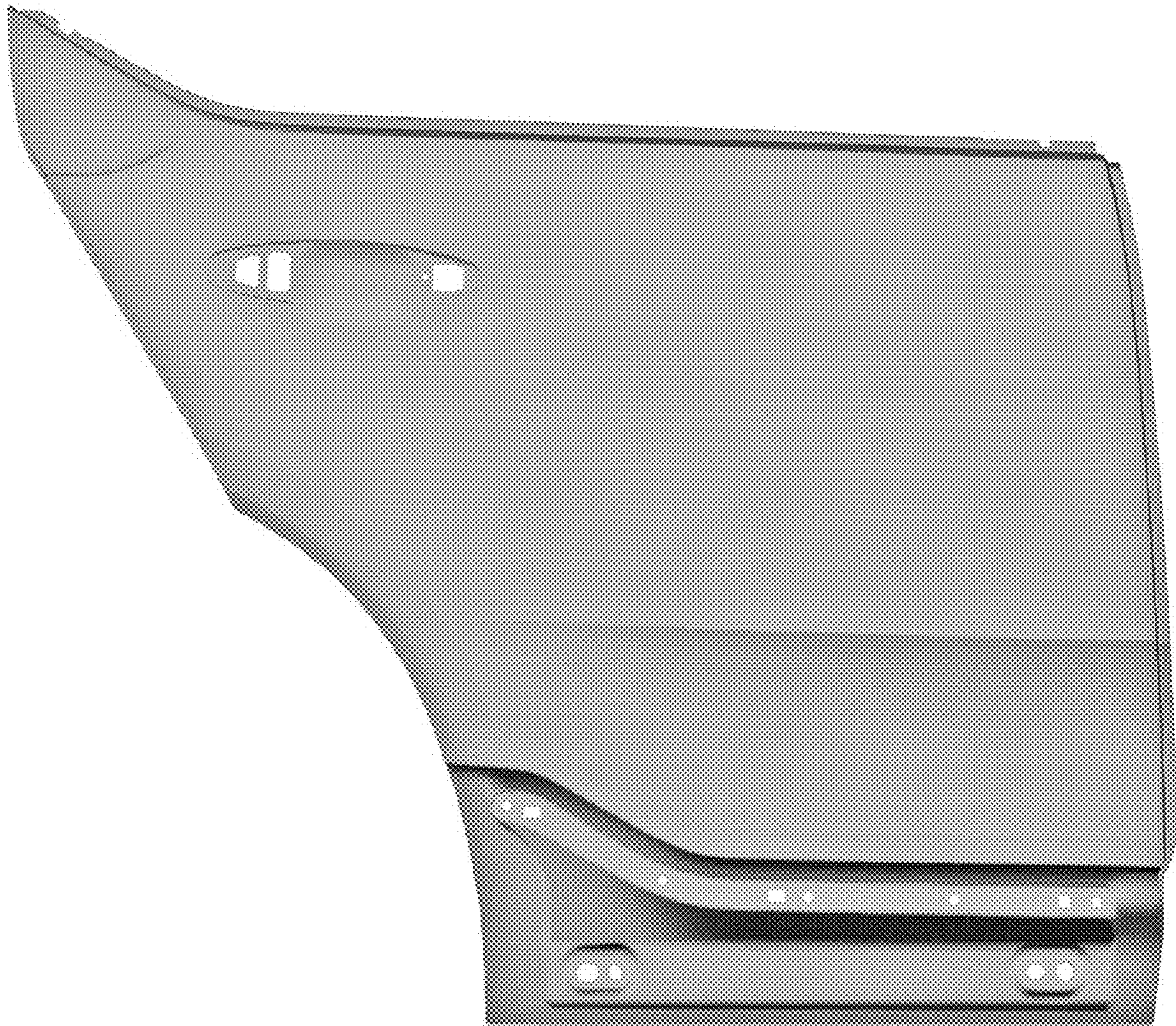


FIG. 6

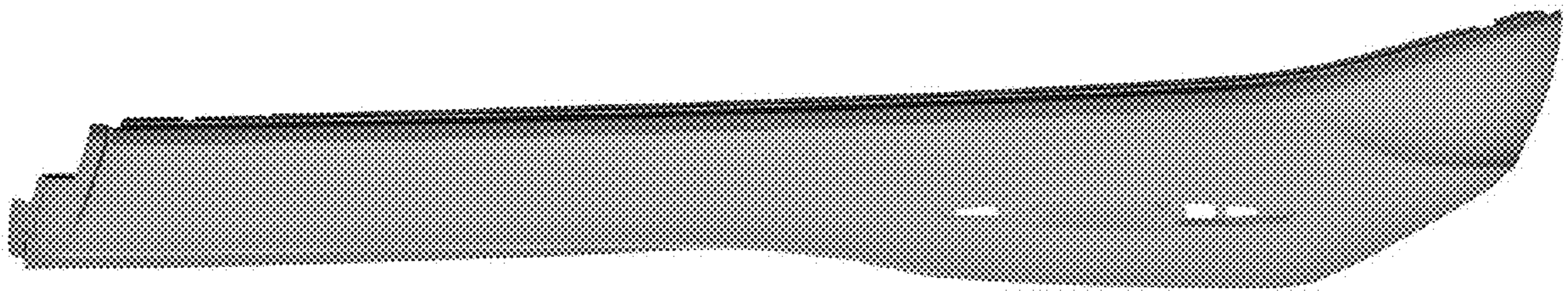


FIG. 7

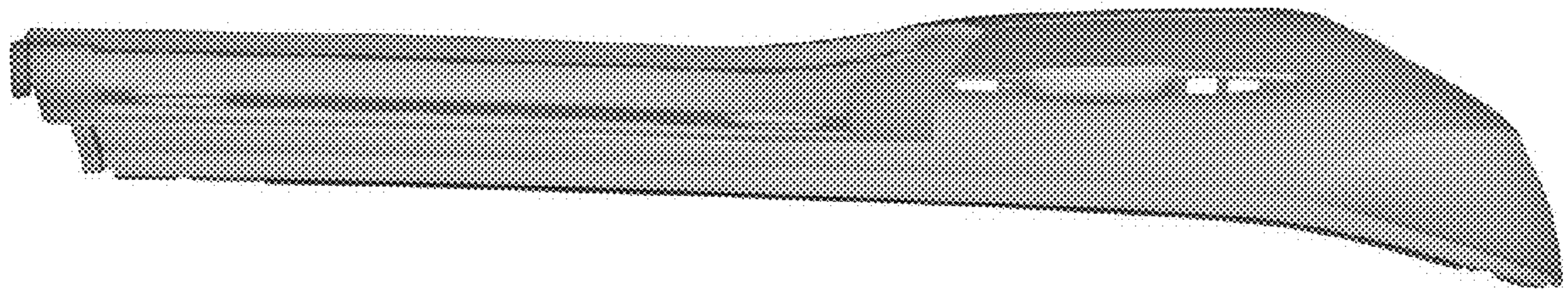


FIG. 8