



US00D963528S

(12) **United States Design Patent**
Schmölz

(10) **Patent No.:** **US D963,528 S**

(45) **Date of Patent:** **** Sep. 13, 2022**

(54) **SPOILER FOR MOTOR VEHICLE**

(71) Applicant: **Dr. Ing. h.c. F. Porsche**
Aktiengesellschaft, Stuttgart (DE)

(72) Inventor: **Fabian Schmölz, Stuttgart (DE)**

(73) Assignee: **Dr. Ing. h.c. F. Porsche**
Aktiengesellschaft

(**) Term: **15 Years**

(21) Appl. No.: **29/776,182**

(22) Filed: **Mar. 29, 2021**

(30) **Foreign Application Priority Data**

Oct. 7, 2020 (EM) 8197412-0008

(51) **LOC (13) Cl.** **12-16**

(52) **U.S. Cl.**
USPC **D12/169**

(58) **Field of Classification Search**
USPC D12/181, 191, 196, 400, 190, 88, 169
CPC B60R 13/02; B60R 13/04; B62D 35/02;
B62D 35/005; B62D 35/007
See application file for complete search history.

(56) **References Cited**

U.S. PATENT DOCUMENTS

D438,150 S * 2/2001 Yokomaku D12/169
D483,311 S * 12/2003 Kasahara D12/169
D514,486 S * 2/2006 Preuninger D12/181
D559,160 S * 1/2008 Viandante D12/196

D607,384 S * 1/2010 Krauss D12/181
D656,439 S * 3/2012 Saracoglu D12/181
D678,142 S * 3/2013 Behmer D12/169
D699,168 S * 2/2014 Osborne D12/169
D699,646 S * 2/2014 Saracoglu D12/181
D744,922 S * 12/2015 Jamieson D12/196
D797,619 S * 9/2017 Jung D12/169
D803,111 S * 11/2017 Jang D12/169
D817,814 S * 5/2018 Nurnberger D12/92
D850,992 S * 6/2019 Bucher D12/169
D859,247 S * 9/2019 DiCanzio D12/181
D877,010 S * 3/2020 Morgan D12/169
D879,683 S * 3/2020 Endo D12/169
D889,327 S * 7/2020 Lu D12/181
D913,874 S * 3/2021 Fiello D12/169

* cited by examiner

Primary Examiner — Susan E Krakower

Assistant Examiner — Jerry Shiuhan-Hua Hsu

(74) *Attorney, Agent, or Firm* — RatnerPrestia

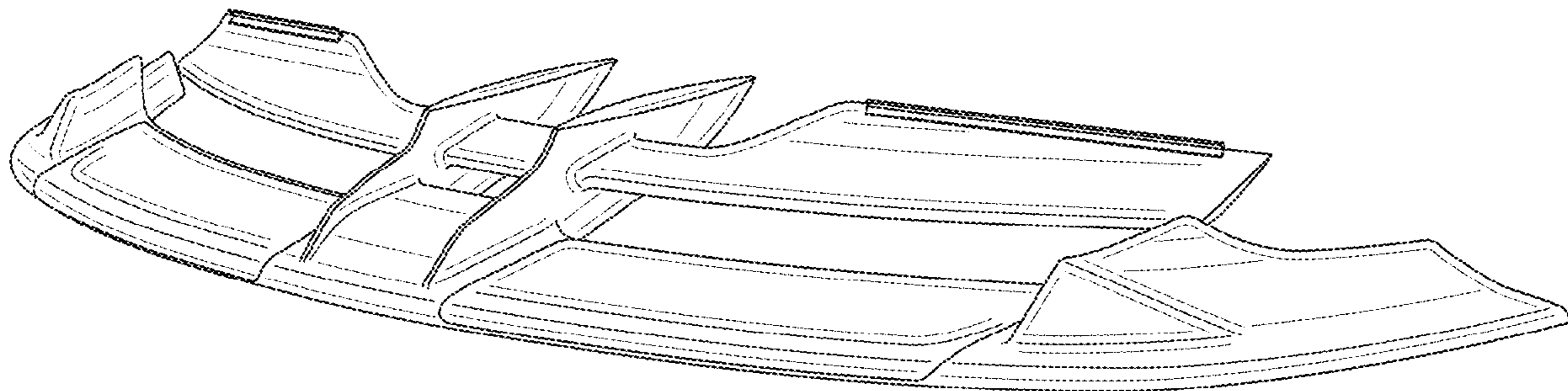
(57) **CLAIM**

The ornamental design for a spoiler for motor vehicle, as shown and described.

DESCRIPTION

FIG. 1 is a perspective view of a spoiler for motor vehicle;
FIG. 2 is a front view thereof;
FIG. 3 is a rear view thereof;
FIG. 4 is a right side view thereof;
FIG. 5 is a left side view thereof;
FIG. 6 is a top plan view thereof; and,
FIG. 7 is a bottom plan view thereof.

1 Claim, 7 Drawing Sheets



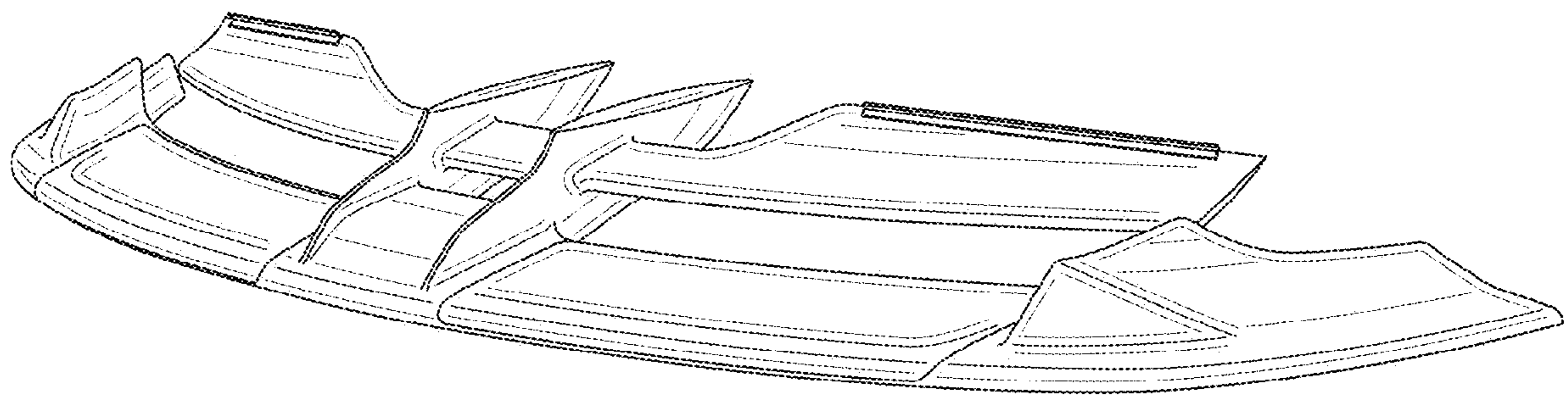


FIG. 1

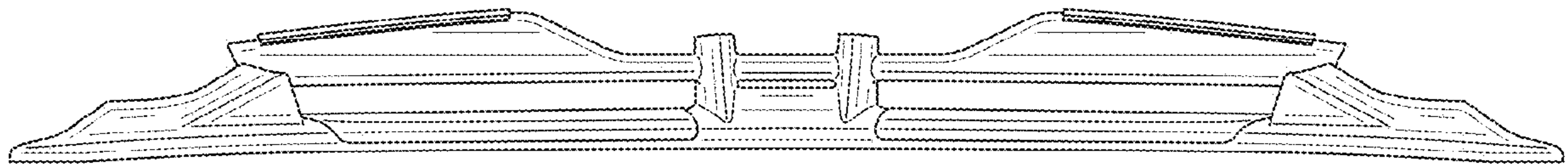


FIG. 2

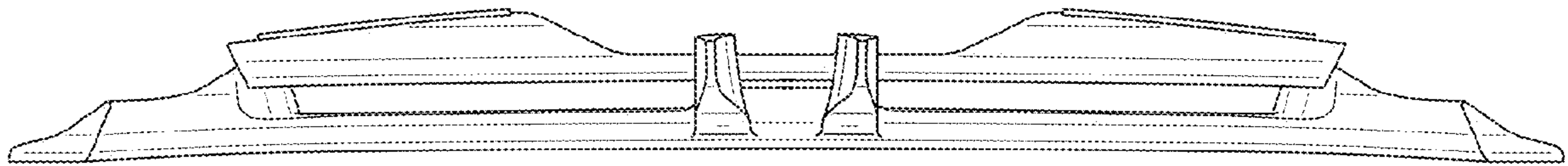


FIG. 3

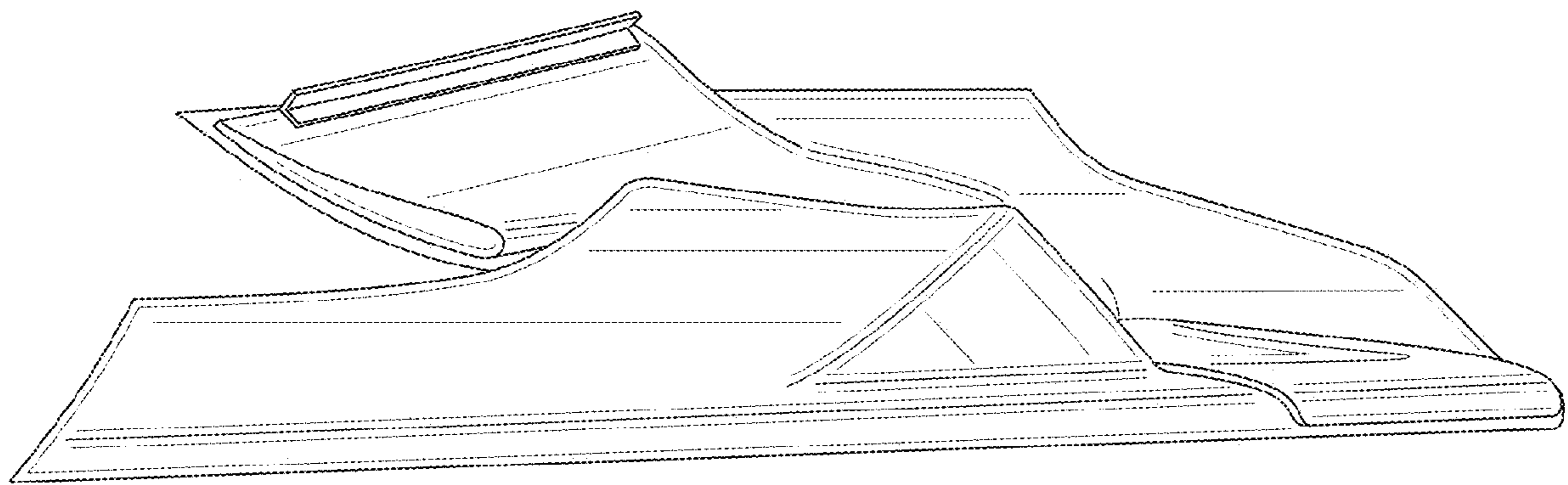


FIG. 4

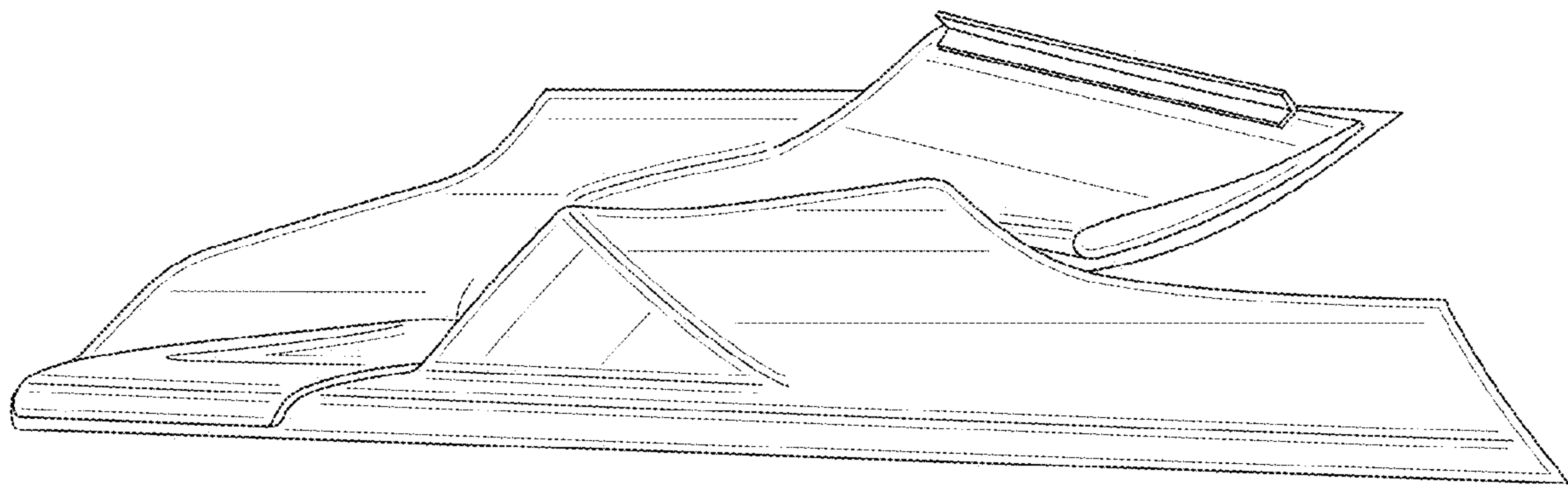


FIG. 5

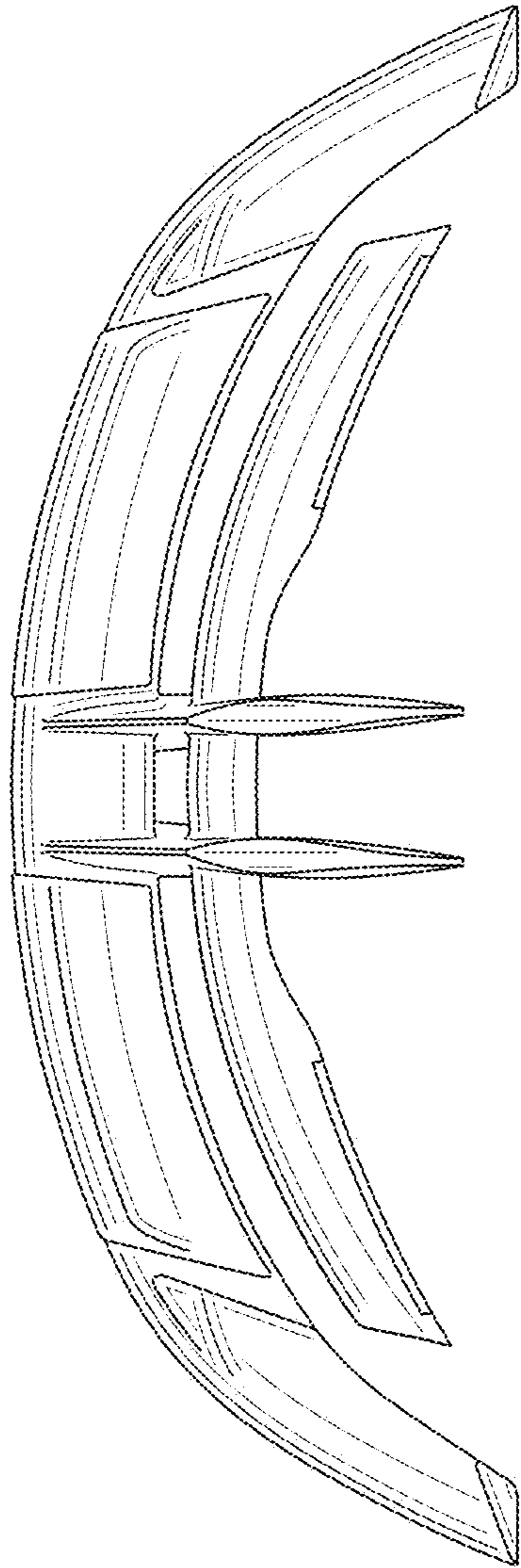


FIG. 6

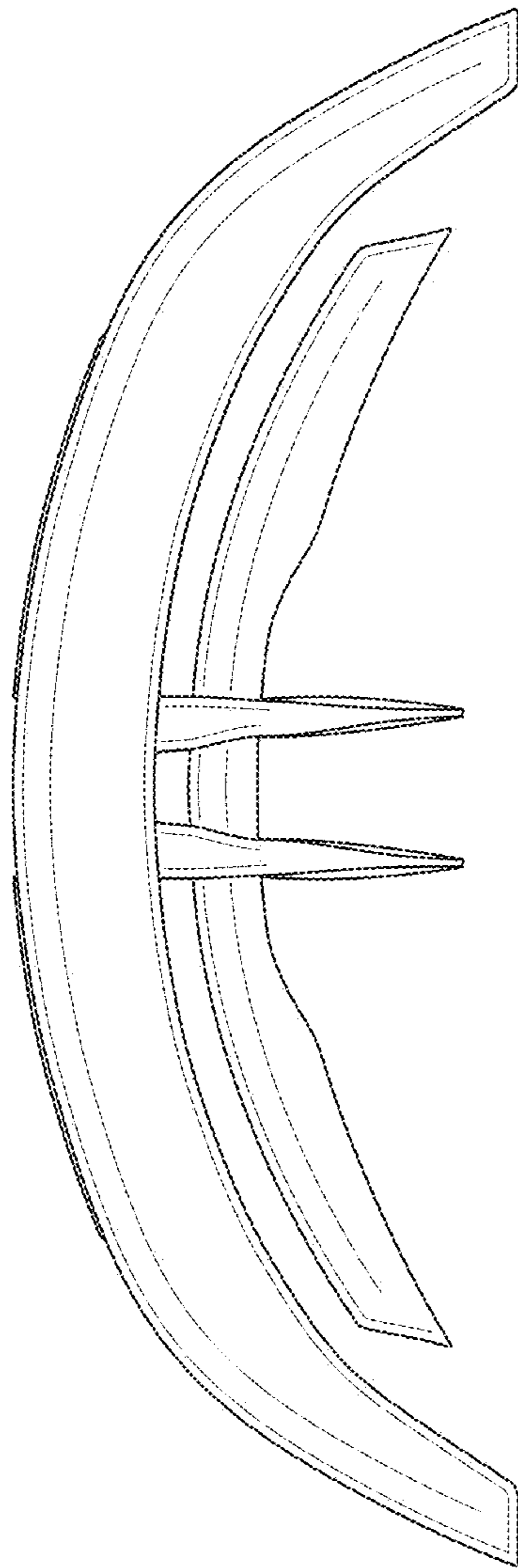


FIG. 7