



US00D963523S

(12) **United States Design Patent** (10) **Patent No.:** **US D963,523 S**
Suzuki et al. (45) **Date of Patent:** **** Sep. 13, 2022**

(54) **FENDER FOR ELECTRIC WHEELCHAIR**

(71) Applicant: **Panasonic Intellectual Property Management Co., Ltd., Osaka (JP)**

(72) Inventors: **Ryoya Suzuki, Osaka (JP); Akio Shigekane, Osaka (JP); Jin Sato, Tokyo (JP)**

(73) Assignee: **Panasonic Intellectual Property Management Co., Ltd., Osaka (JP)**

(**) Term: **15 Years**

(21) Appl. No.: **29/768,804**

(22) Filed: **Feb. 1, 2021**

(30) **Foreign Application Priority Data**

Aug. 4, 2020 (JP) 2020-016316 D

(51) **LOC (13) Cl.** **12-12**

(52) **U.S. Cl.**
USPC **D12/133**

(58) **Field of Classification Search**
USPC D12/131, 133
CPC A61G 5/00–14
See application file for complete search history.

(56) **References Cited**

U.S. PATENT DOCUMENTS

- 2,681,689 A * 6/1954 Breed A61G 5/1094
 280/848
 6,312,000 B1 * 11/2001 Pauls A61G 5/043
 180/907
 D743,305 S * 11/2015 Childs D12/133
 D749,018 S * 2/2016 Fox D12/133

- D787,383 S * 5/2017 Elon D12/133
 D801,233 S * 10/2017 Mulhern D12/133
 D801,234 S * 10/2017 Elon D12/133
 D887,314 S * 6/2020 Dean D12/133
 D887,315 S * 6/2020 Dean D12/133
 D951,824 S * 5/2022 Calver D12/133
 2003/0085547 A1 * 5/2003 Handago A61G 5/10
 280/304.1
 2014/0265238 A1 * 9/2014 Storm A47C 7/52
 280/304.1
 2016/0331608 A1 * 11/2016 Thomas A61G 5/1054

* cited by examiner

Primary Examiner — Charles D Hanson

(74) *Attorney, Agent, or Firm* — Panasonic IP Management; Kerry S. Culpepper

(57) **CLAIM**

We claim the ornamental design for a fender for electric wheelchair, as shown and described.

DESCRIPTION

FIG. 1 is a front perspective view of a fender for electric wheelchair of the present invention;
 FIG. 2 is a front view thereof;
 FIG. 3 is a rear view thereof;
 FIG. 4 is a first side view thereof;
 FIG. 5 is a second side view thereof;
 FIG. 6 is a top view thereof;
 FIG. 7 is a bottom view thereof; and,
 FIG. 8 is an end view of the sectioned part taken along the line 8-8 in FIG. 2 with the internal parts being omitted.
 The broken lines in the drawings represent portions of the fender for electric wheelchair that form no part of the claimed design.

1 Claim, 8 Drawing Sheets

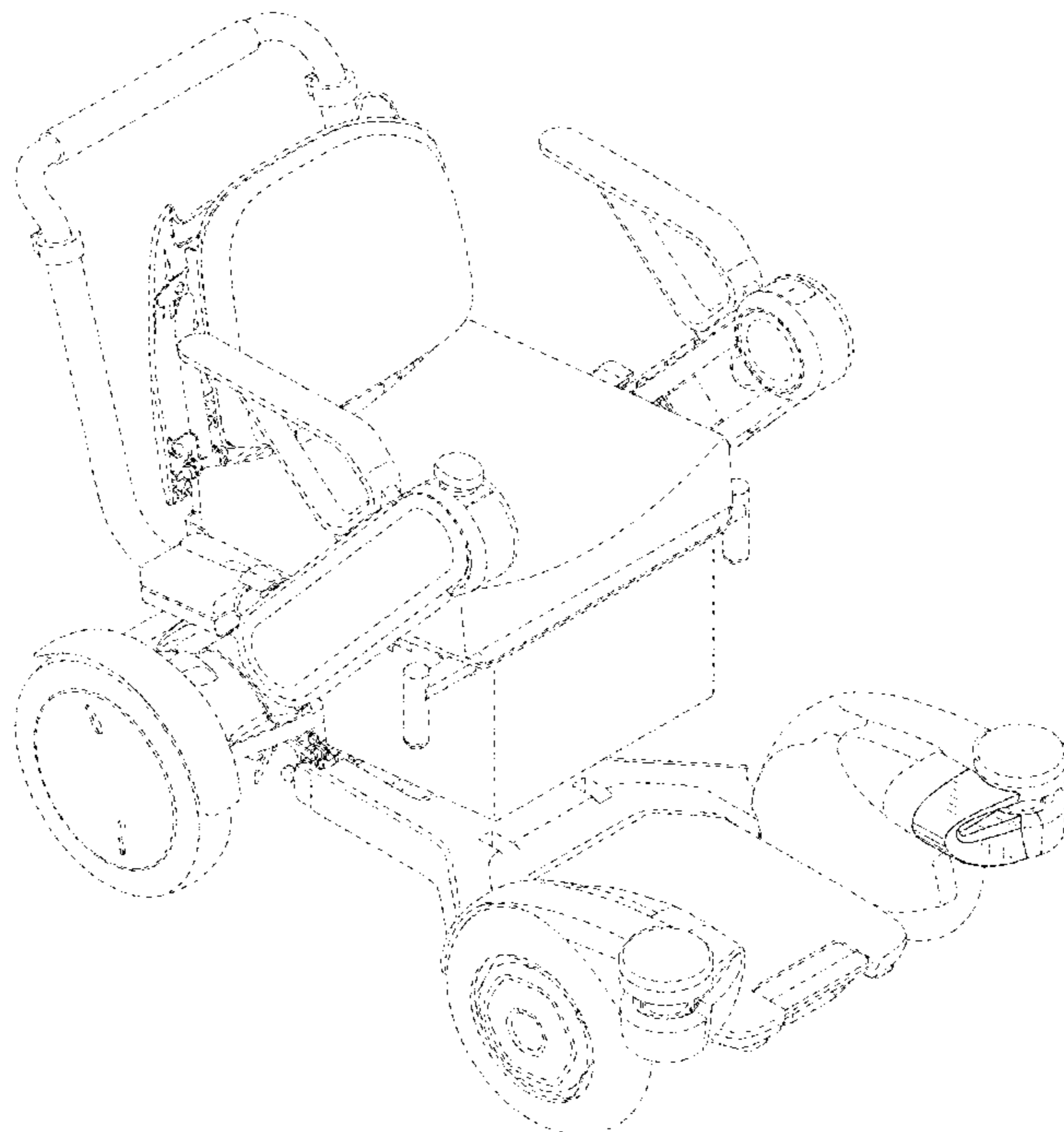


FIG. 1

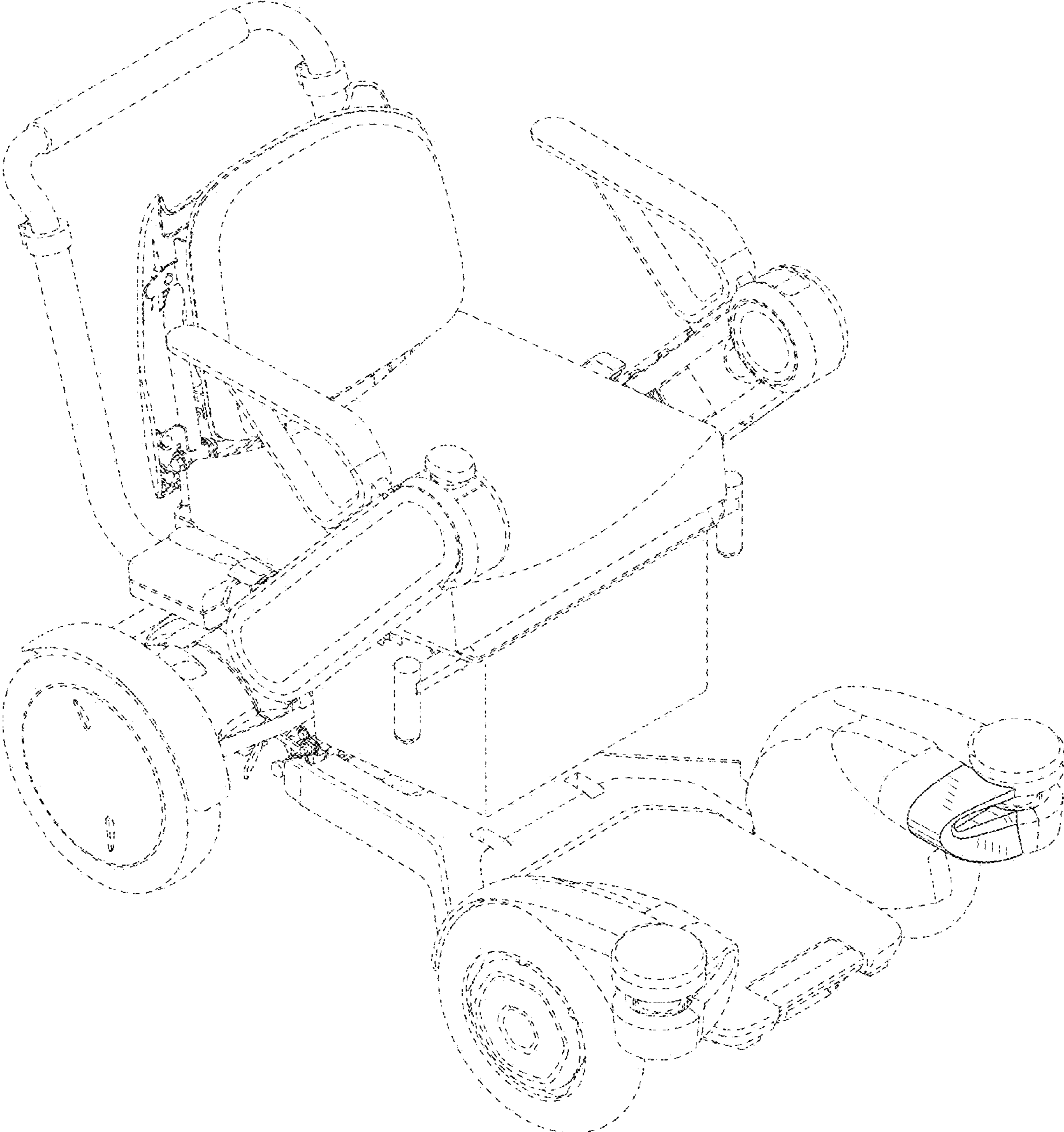


FIG. 2

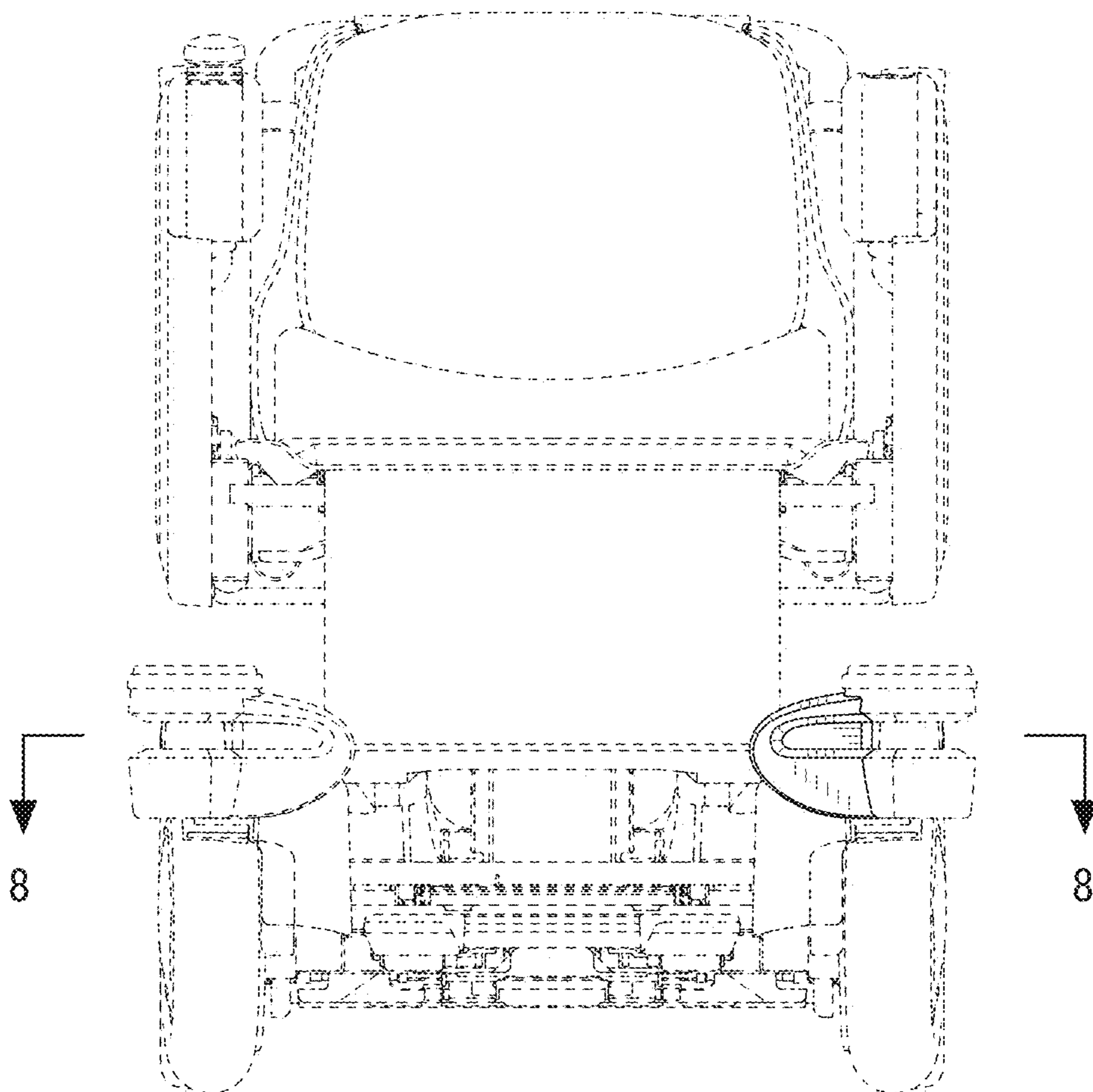


FIG. 3

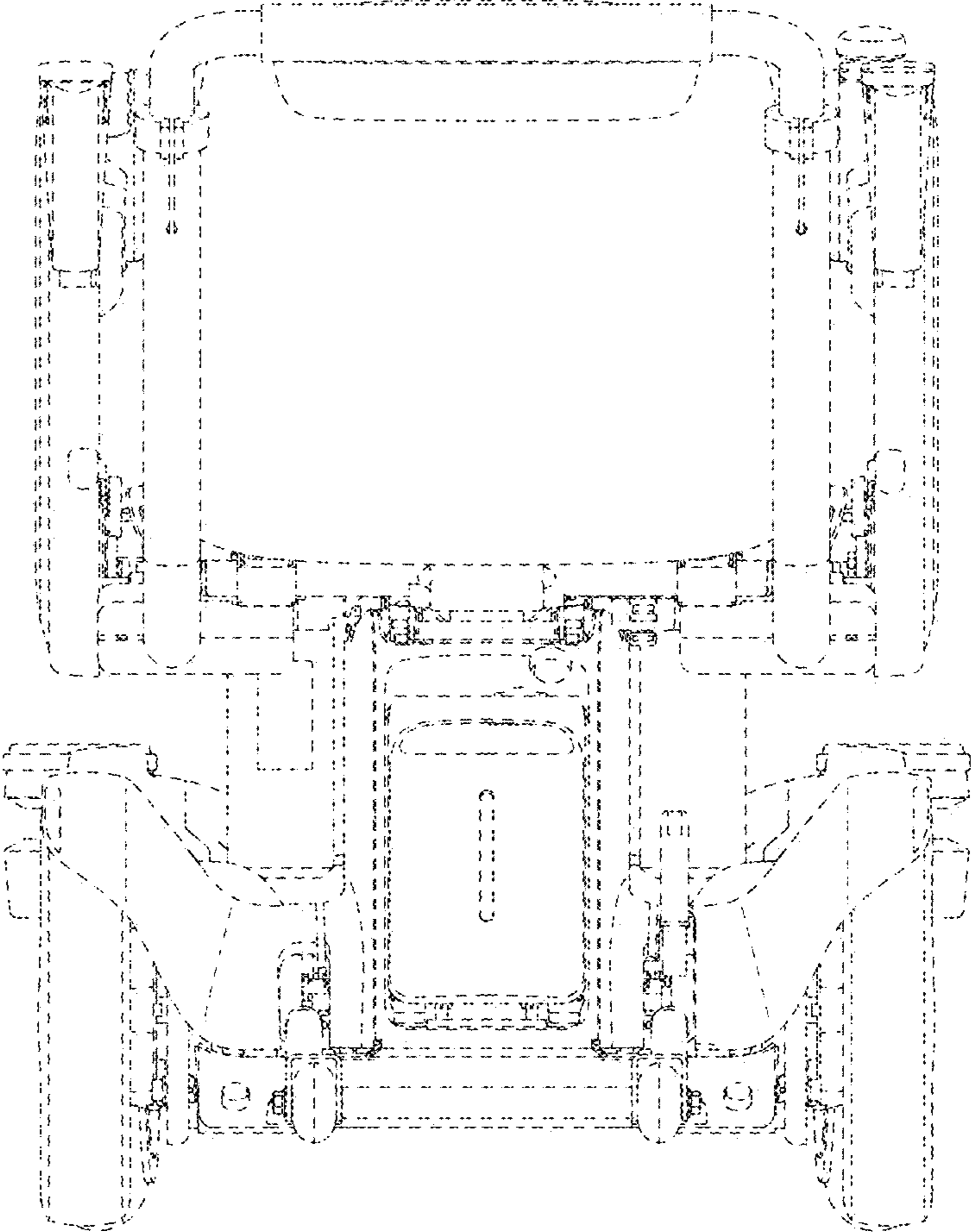


FIG. 4

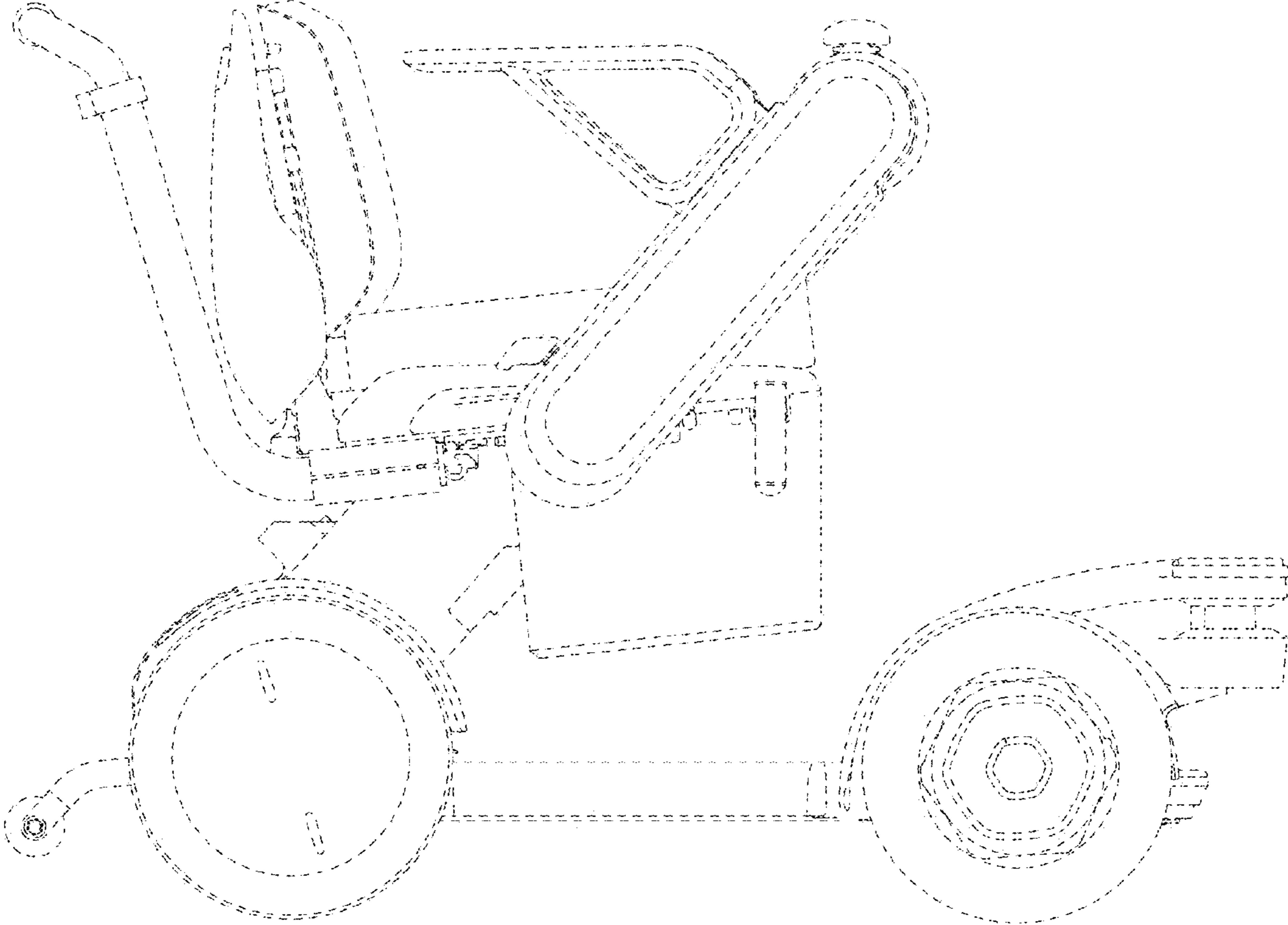


FIG. 5

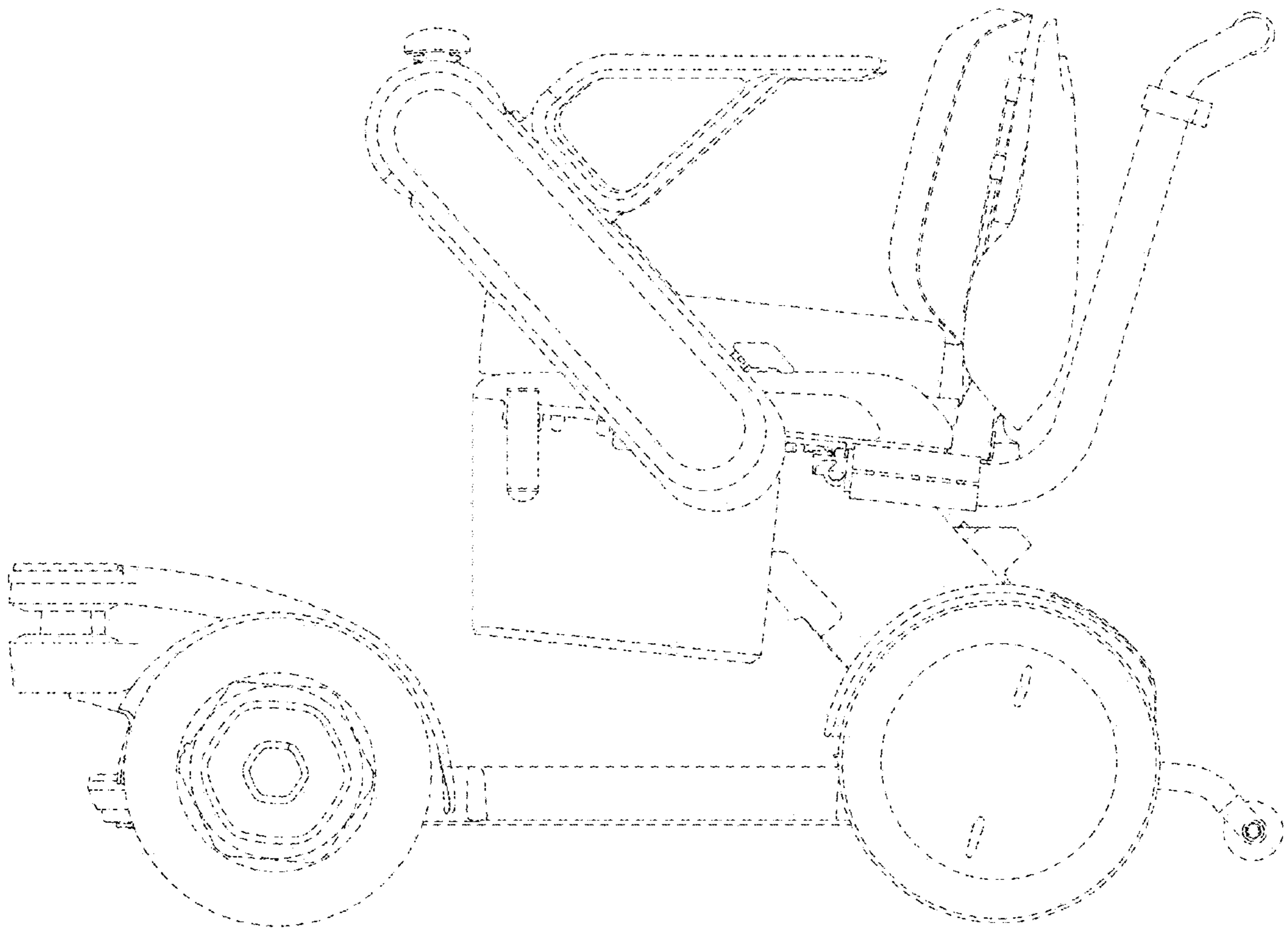


FIG. 6

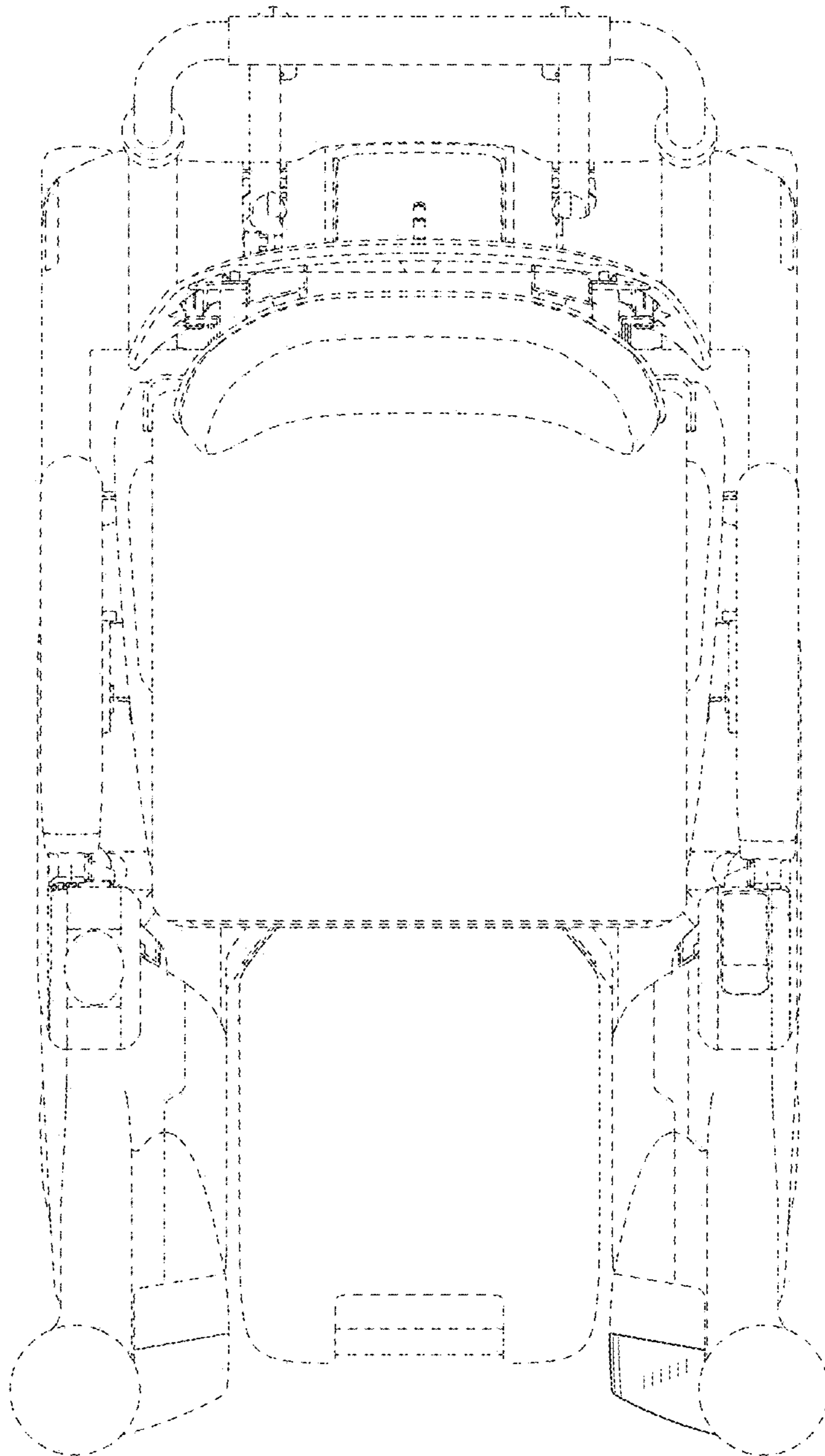


FIG. 7

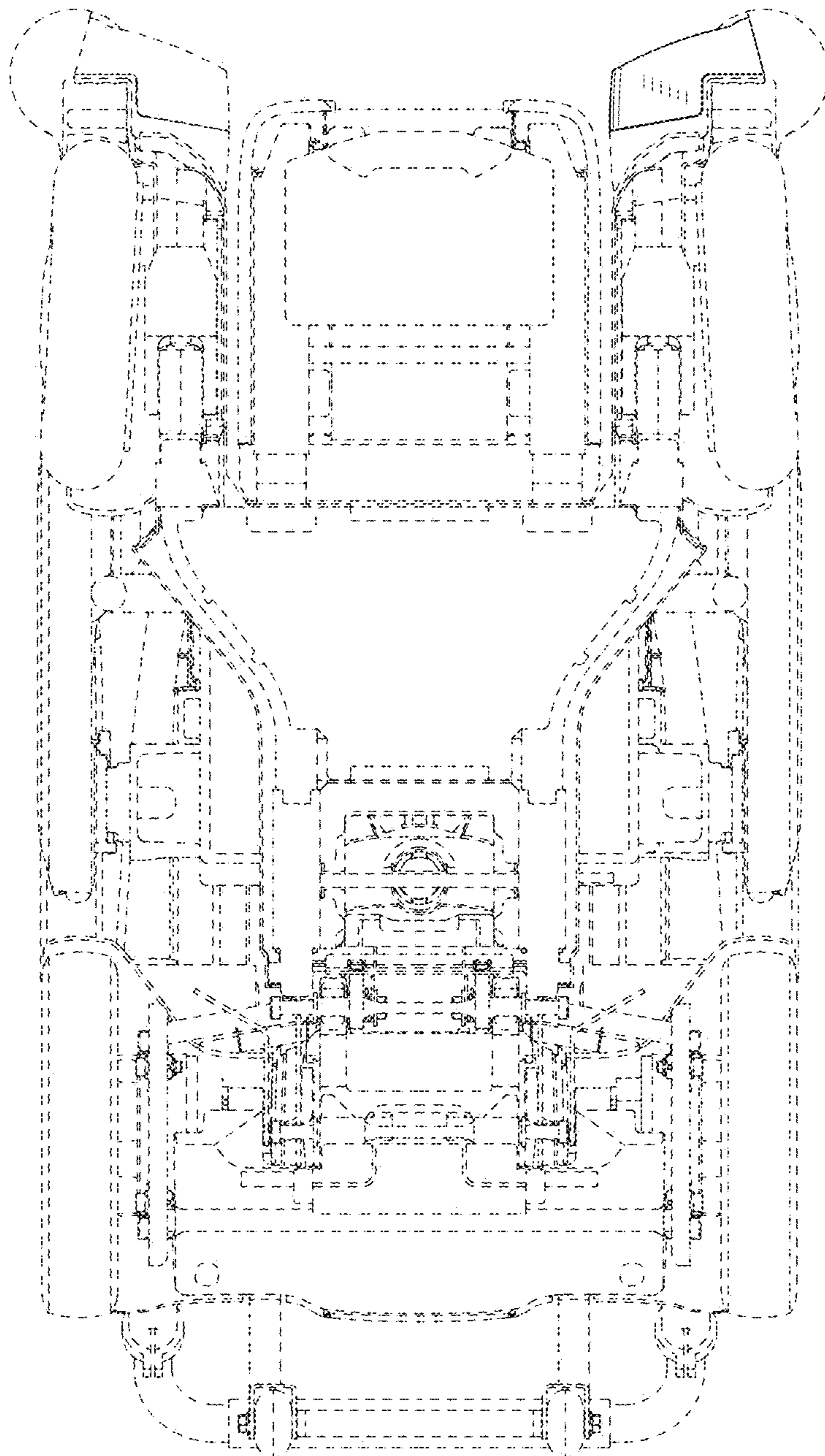


FIG. 8

