

US00D963520S

(12) **United States Design Patent**
Schoedl et al.

(10) **Patent No.:** **US D963,520 S**
(45) **Date of Patent:** **** Sep. 13, 2022**

- (54) **H-SHAPED RAILCAR FOLLOWER**
- (71) Applicant: **MINER ENTERPRISES, INC.**,
Geneva, IL (US)
- (72) Inventors: **Erich A. Schoedl**, Sugar Grove, IL
(US); **Kenneth A. James**, West
Chicago, IL (US); **Andy R. Kries**,
Elgin, IL (US)
- (73) Assignee: **Miner Enterprises, Inc.**, Geneva, IL
(US)
- (**) Term: **15 Years**
- (21) Appl. No.: **29/693,236**
- (22) Filed: **May 31, 2019**

1,164,725	A *	12/1915	Kinsman	B61G 9/22 213/70
1,175,231	A *	3/1916	Buhoup	B61G 7/10 213/19
1,192,497	A *	7/1916	Chiles	B61G 9/24 213/69
1,286,306	A *	12/1918	Haseltine	B61G 9/22 213/70
1,286,598	A *	12/1918	Johnson	B61G 9/22 213/70
1,286,711	A *	12/1918	Miner	B61G 9/24 213/69
1,391,203	A *	9/1921	Murray	B61G 9/22 213/70
1,403,251	A *	1/1922	Kelso	B61G 9/24 411/351
1,450,591	A *	4/1923	Green	B61G 9/24 213/68
1,589,388	A *	6/1926	Haseltine	B61G 9/24 213/50
2,875,906	A *	3/1959	Furniss	B61G 7/10 213/72

Related U.S. Application Data

- (62) Division of application No. 29/593,615, filed on Feb. 10, 2017, now Pat. No. Des. 857,554.
- (51) **LOC (13) Cl.** **12-03**
- (52) **U.S. Cl.**
USPC **D12/47**
- (58) **Field of Classification Search**
USPC D12/42, 43, 47, 48, 51; D15/5; D13/184
CPC ... B61G 9/04; B61G 7/10; B61G 5/04; B61G
9/12; B61G 9/22; B61G 9/18; B61G
9/24; B61G 11/00; B61G 11/14; B61G
11/18; B61G 7/12
See application file for complete search history.

References Cited

U.S. PATENT DOCUMENTS

447,324	A *	3/1891	Harvey	B61G 9/22 213/51
1,099,854	A *	6/1914	Krakau	B61G 7/10 213/12

(Continued)

Primary Examiner — Ania Aman

(74) *Attorney, Agent, or Firm* — Law Office of John W. Harbst

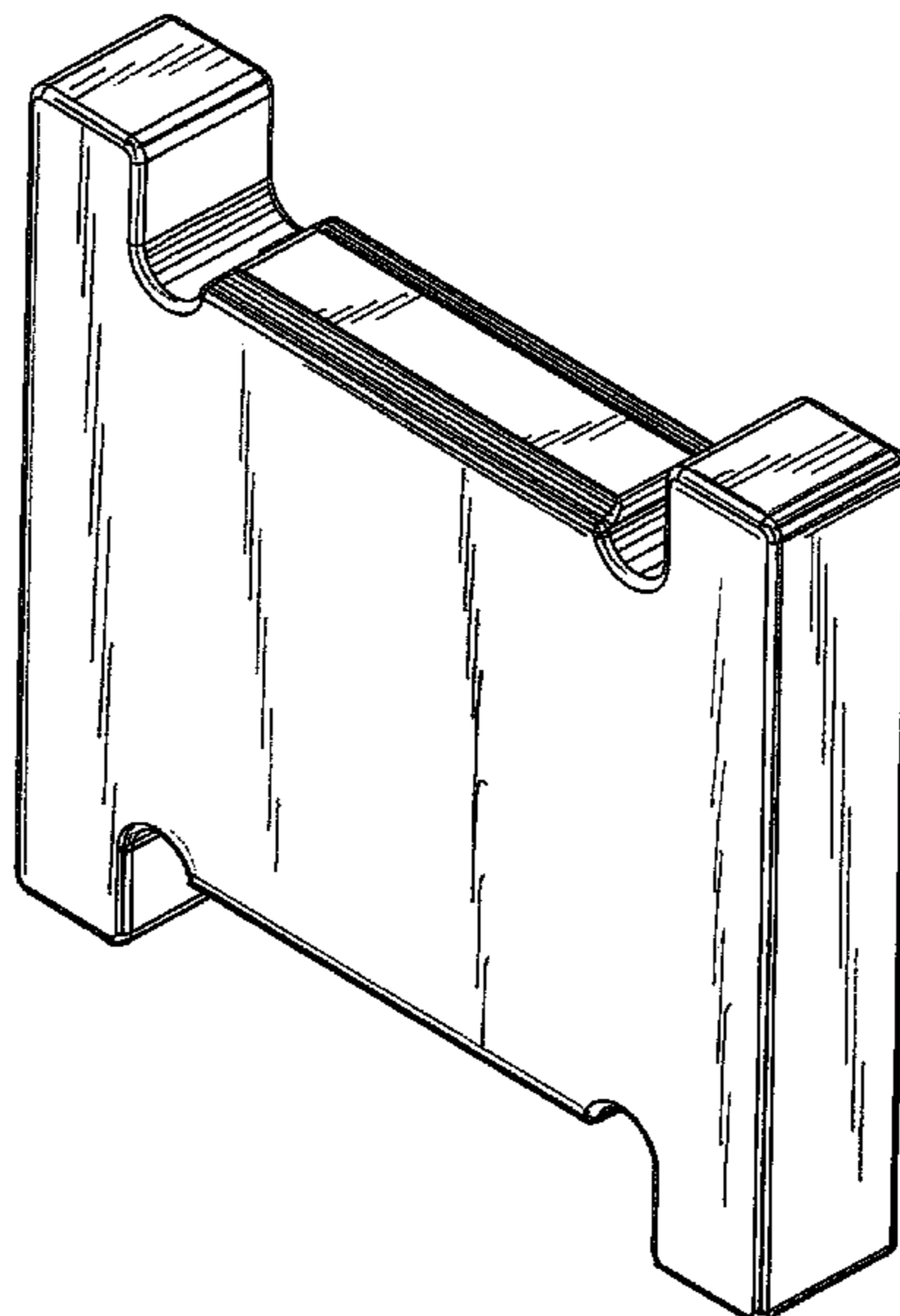
(57) **CLAIM**

The ornamental design for a H-shaped railcar follower, as shown and described.

DESCRIPTION

FIG. 1 is an upper perspective view of a H-shaped railcar follower showing our new design; FIG. 2 is a front elevational view thereof; with a rear elevational view being a mirror image thereof; FIG. 3 is a right side elevational view thereof; with the left side elevational view being a mirror image thereof; and, FIG. 4 is a top plan view thereof; with the bottom plan view being a mirror image thereof.

1 Claim, 3 Drawing Sheets



(56)

References Cited

U.S. PATENT DOCUMENTS

2,956,695	A *	10/1960	Metzger	B61G 5/04 213/112
3,583,573	A *	6/1971	Knippel	B61G 9/04 213/46 R
3,888,358	A *	6/1975	Farris	B61G 7/10 213/69
5,176,268	A *	1/1993	Manley	B61G 7/10 213/50
5,305,899	A *	4/1994	Kaufhold	B61G 7/10 213/50
10,384,696	B2 *	8/2019	Schoedl	B61G 7/10
2020/0172127	A1 *	6/2020	Hankinson	B61G 7/02
2020/0385033	A1 *	12/2020	Schoedl	B61G 11/18

* cited by examiner

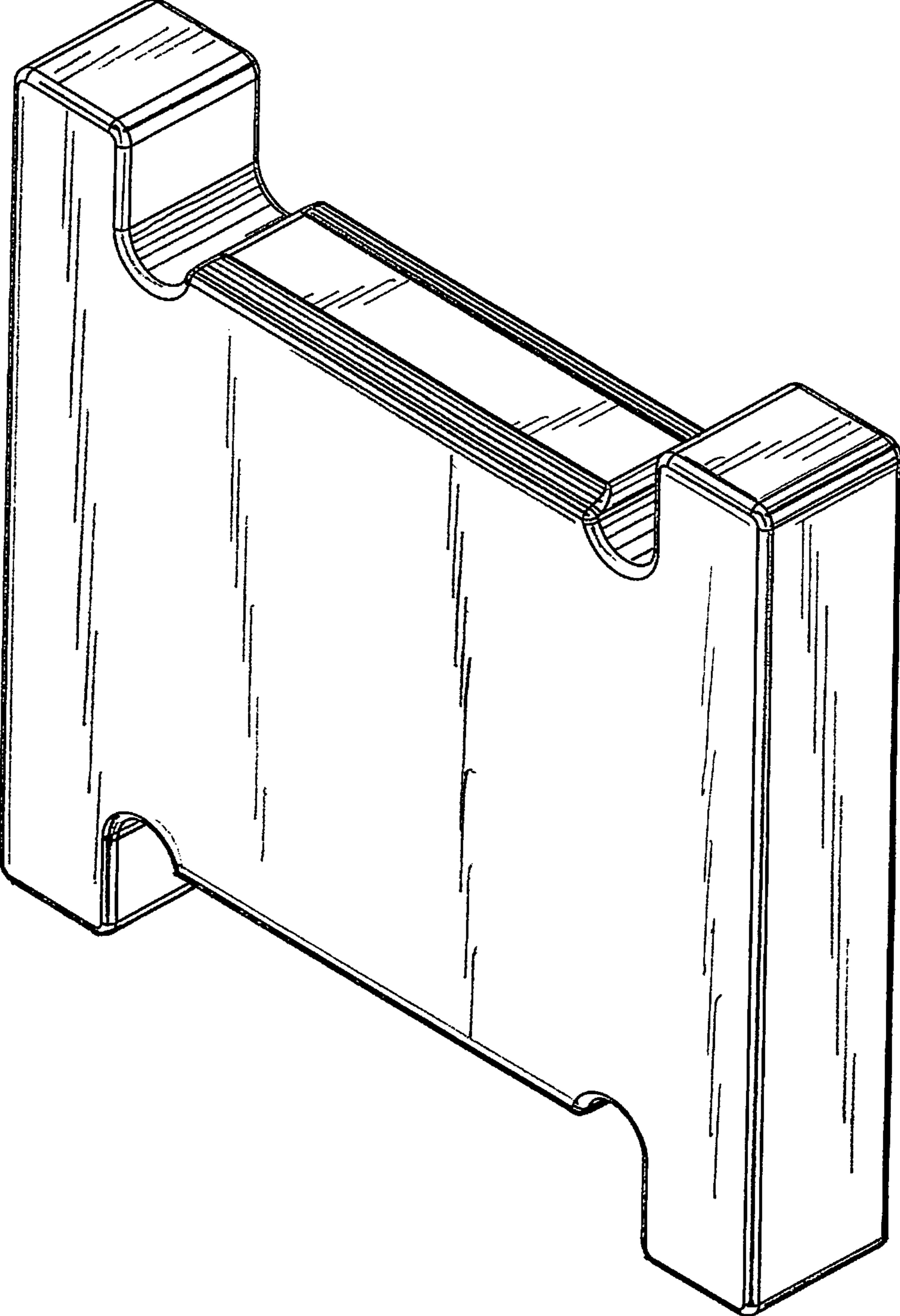


FIG. 1

FIG. 2

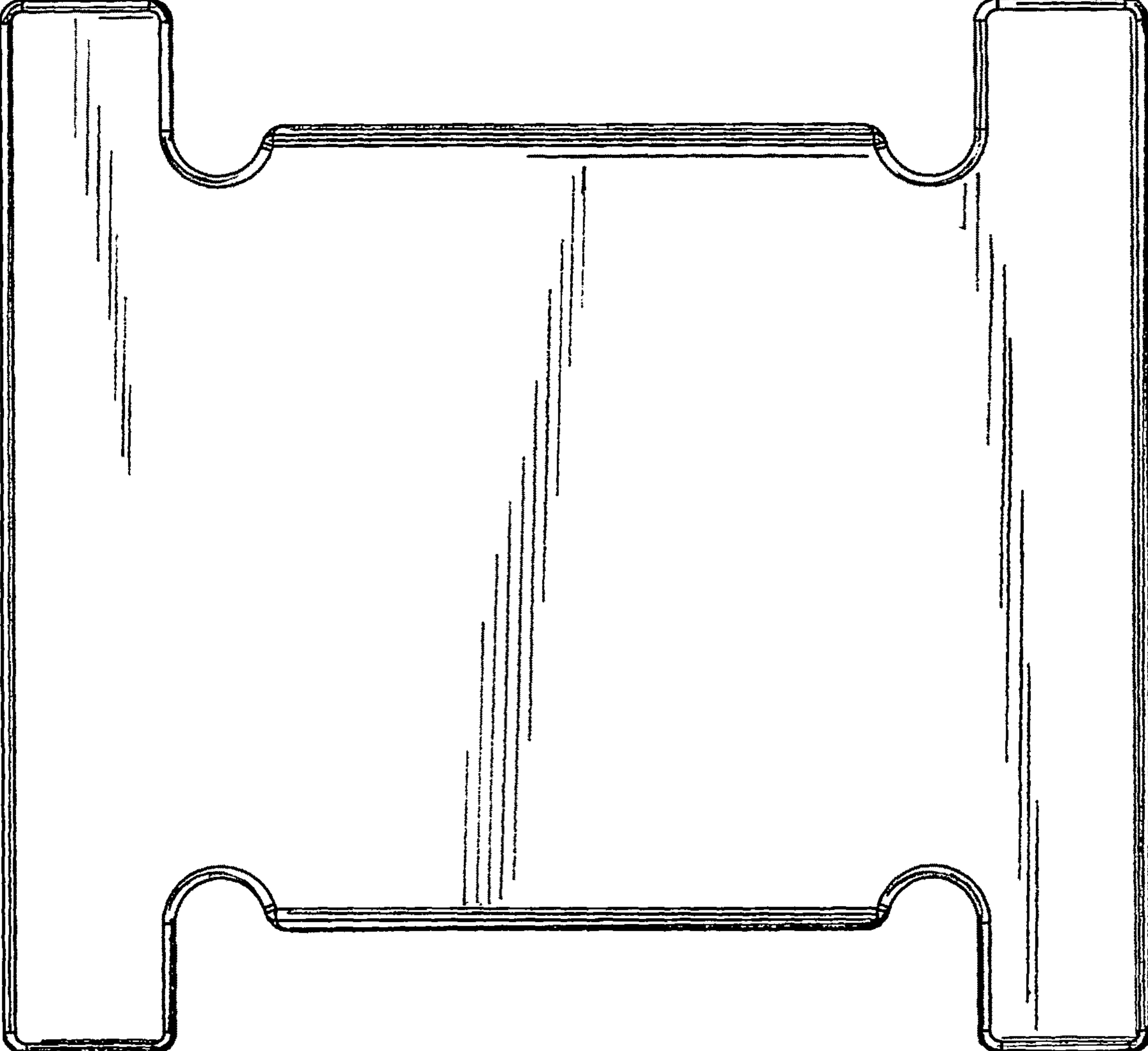


FIG. 3

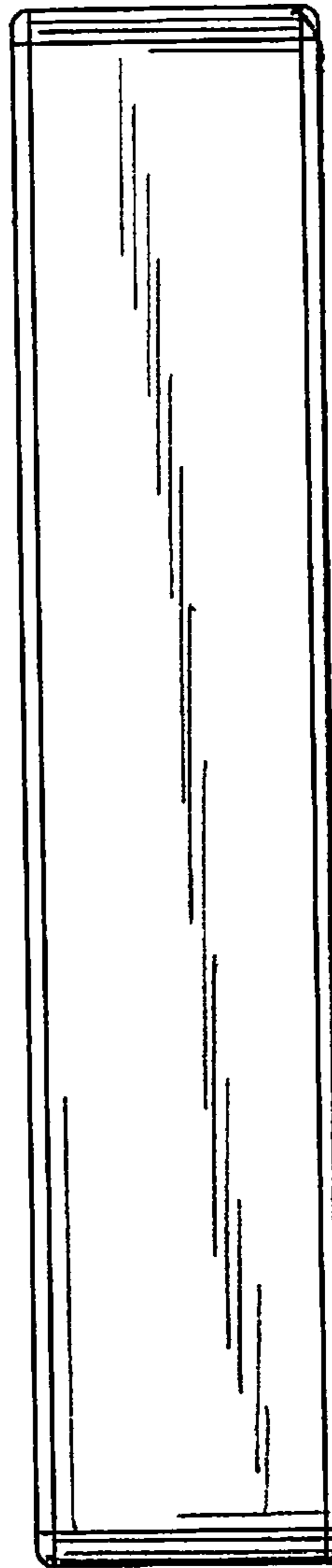


FIG. 4

