



US00D963518S

(12) **United States Design Patent**
Fung

(10) **Patent No.:** **US D963,518 S**

(45) **Date of Patent:** **** Sep. 13, 2022**

(54) **BUCKLE**

(71) Applicant: **LULULEMON ATHLETICA CANADA INC.**, Vancouver (CA)

(72) Inventor: **Rosanna Yuet-Yu Fung**, Vancouver (CA)

(73) Assignee: **LULULEMON ATHLETICA CANADA INC.**, Vancouver (CA)

(**) Term: **15 Years**

(21) Appl. No.: **29/708,740**

(22) Filed: **Oct. 9, 2019**

(51) **LOC (13) Cl.** **02-07**

(52) **U.S. Cl.**
USPC **D11/218**

(58) **Field of Classification Search**
USPC D3/200, 201, 215, 222, 224, 226, 228, D3/318, 323, 324; D11/87, 94, 200, 201, D11/208-210, 212, 214, 215, 216, 218, D11/220, 221, 228; D24/184; D29/100, D29/122; D30/139, 152, 153; D22/108
CPC A44B 11/00; A44B 11/001; A44B 11/006; A44B 11/04; A44B 11/06; A44B 11/065; A44B 11/18; A44B 11/20; A44B 11/2538; A44B 13/0047; A44B 19/00; A44B 19/26; Y10T 24/498; Y10T 24/1467; Y10T 24/1488; B65D 65/06; A45F 3/005; A45F 3/14; A45F 2003/144; A45F 5/021; A45F 2200/0516; A45F 2200/0575; F41C 33/007; F41C 33/008

See application file for complete search history.

(56) **References Cited**

U.S. PATENT DOCUMENTS

D621,743 S * 8/2010 Hortnagl D11/216
D621,744 S * 8/2010 Hortnagl D11/218
D702,594 S * 4/2014 Lin D11/216

D703,580 S * 4/2014 Lin D11/216
D705,122 S * 5/2014 Nykoluk D11/216
D802,929 S * 11/2017 Morszeck D3/318

(Continued)

FOREIGN PATENT DOCUMENTS

WO RGN-D204382-001 * 12/2019

OTHER PUBLICATIONS

MOZETO_Tactical_Belt (available online Nov. 6, 2019) Retrieved from the internet from URL: https://www.amazon.com/MOZETO-Tactical-Military-Heavy-Duty-Quick-Release/dp/B07ZTCBR1L/ref=sr_1_2?keywords=mozeto+tactical+belt+velco&qid=1644331971&srprefix=mozeto+tac%2Caps%2C94&sr=8-2.*

(Continued)

Primary Examiner — Richard Kearney

(74) *Attorney, Agent, or Firm* — Conneely PC; Joseph Conneely

(57) **CLAIM**

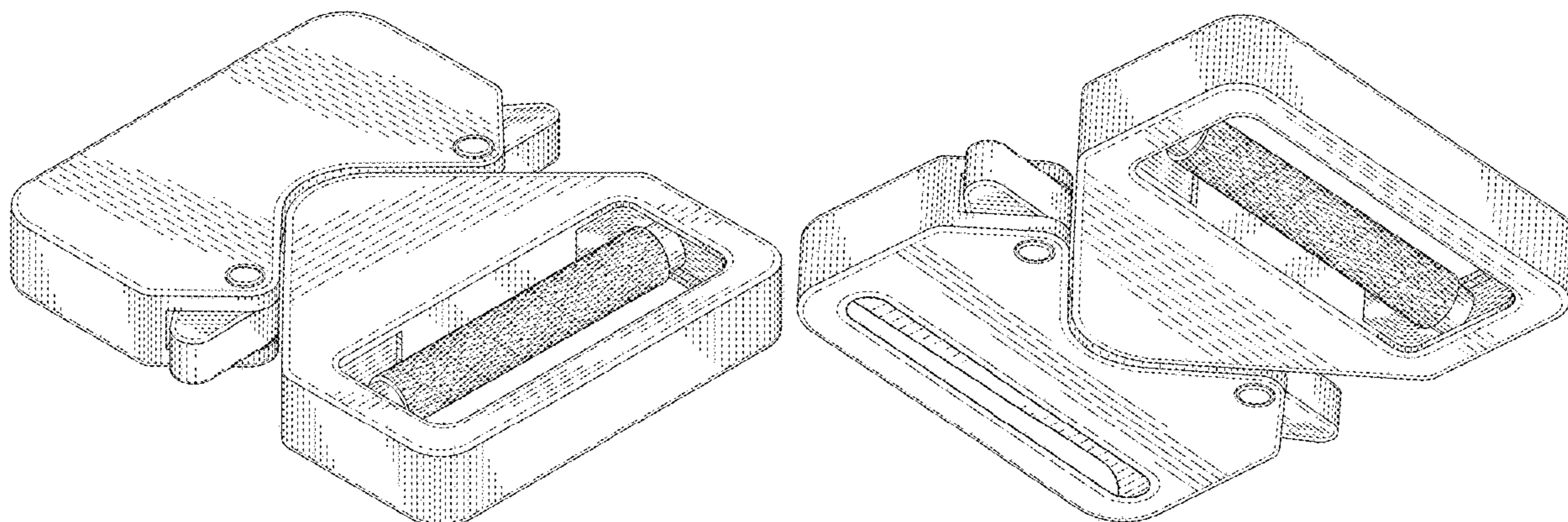
The ornamental design for a buckle, as shown and described.

DESCRIPTION

FIG. 1 is a front view of a buckle according to the design; FIG. 2 is a rear view thereof; FIG. 3 is a right side view thereof; FIG. 4 is a left side view thereof; FIG. 5 is a top view thereof; FIG. 6 is a bottom view thereof; FIG. 7 is a front perspective view thereof; FIG. 8 is a rear perspective view thereof; and, FIG. 9 is a front view thereof shown in an opened position and in an environment of use.

The portions of the buckle shown in broken lines in FIGS. 1-9 do not form part of the claimed design. The broken line showing of the straps, belts, fabric, or material in FIG. 9 is for the purpose of illustrating portions of the environmental structure and forms no part of the claimed design.

1 Claim, 4 Drawing Sheets



(56)

References Cited

U.S. PATENT DOCUMENTS

D850,101 S * 6/2019 Mironski D3/224
 D872,969 S * 1/2020 Stewart D3/226
 D888,609 S * 6/2020 Templeton D11/216
 D902,780 S * 11/2020 Gao D11/216
 D914,302 S * 3/2021 Chen D30/152
 2014/0298630 A1* 10/2014 Hortnagl A44B 11/006
 24/697.2
 2015/0067989 A1* 3/2015 Hortnagl A44B 11/2592
 24/197
 2016/0174667 A1* 6/2016 Hsu F16B 2/06
 24/611
 2017/0000249 A1* 1/2017 Beck A41F 9/002
 2018/0228252 A1* 8/2018 Hsu A44B 11/2573

OTHER PUBLICATIONS

Jukmo_Tactical_Belt (available online Dec. 1, 2019) Retrieved from the internet from URL: https://www.amazon.com/JUKMO-Tactical-Military-Heavy-Duty-Quick-Release/dp/B08277N9KL/ref=sr_1_1_sspa?crid=R9ZA3YOBH366&keywords=jukmo+tactical+belt%2C+military+hiking+rigger+1.5&qid=1644332076&srefix=Jukmo+tactical+belt.*

Release Buckle (available online) Retrieved from the internet from URL: https://www.etsy.com/listing/674831119/1538mmblack-metal-release-buckle-clutch?click_key=7e0b6a69bbaec17140fa3118fd99fd523123dc37%3A674831119&click_sum=09be7b37&ref=related-1&pro=1.*

* cited by examiner

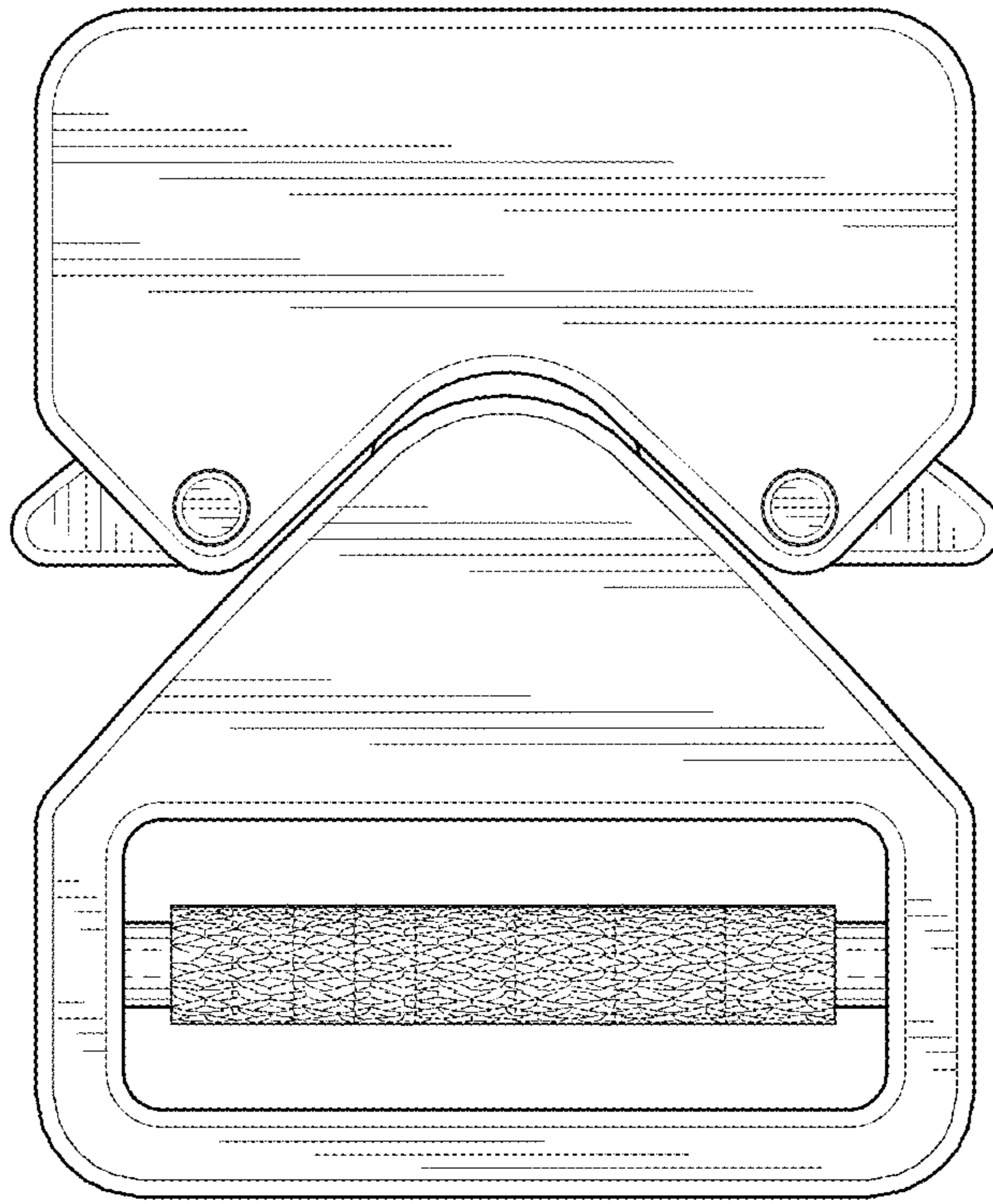


FIG.1

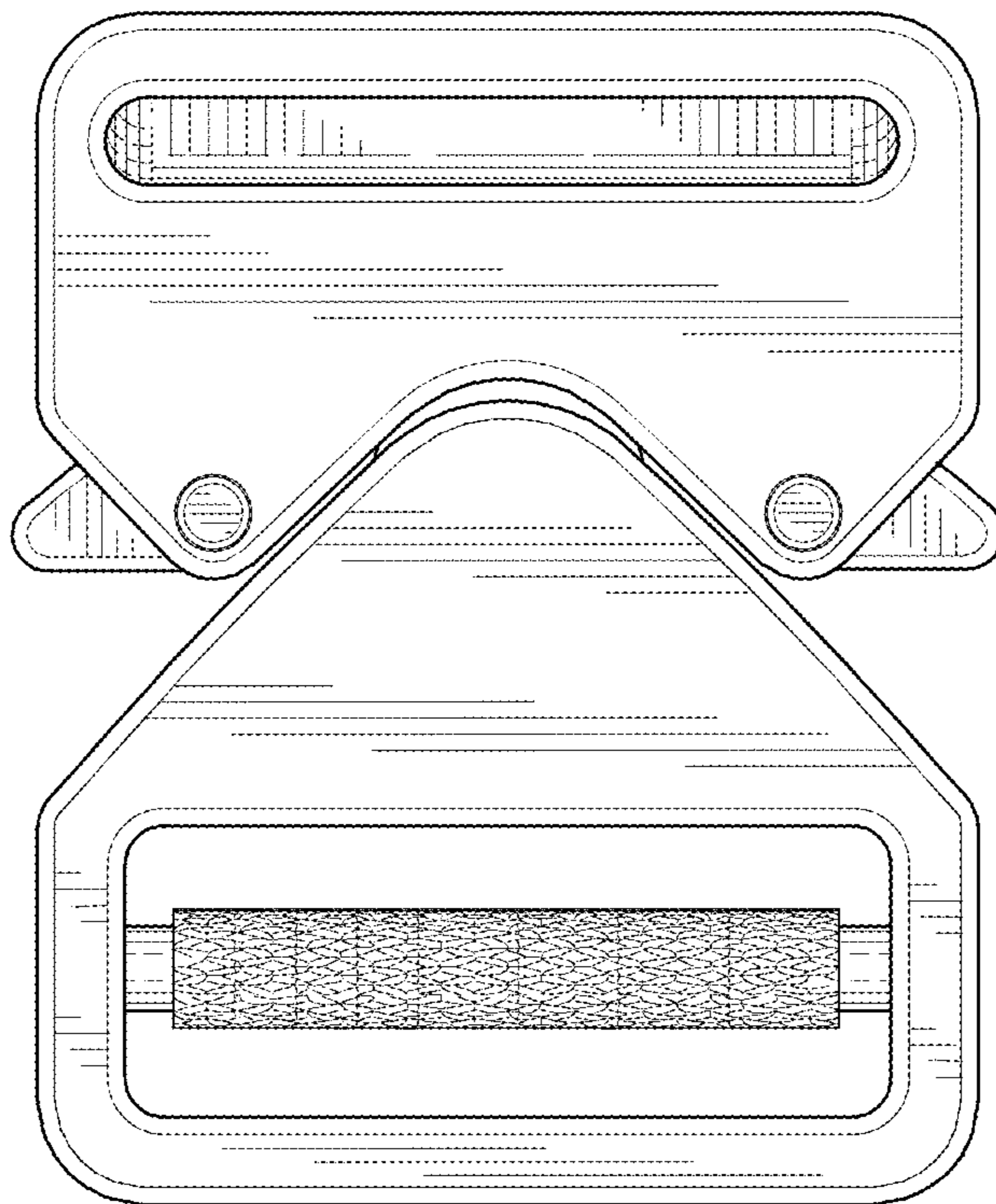


FIG.2

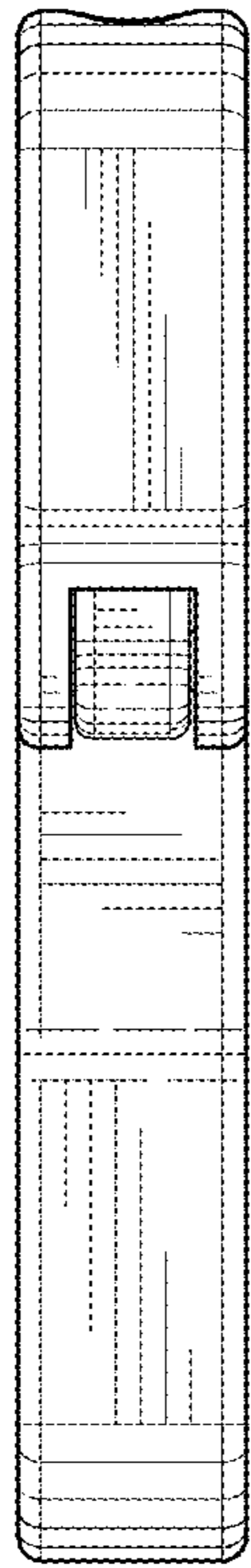


FIG.3

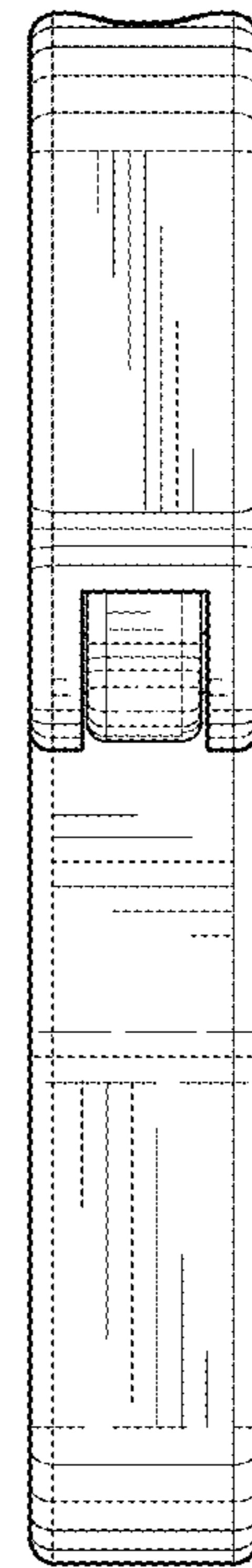


FIG.4

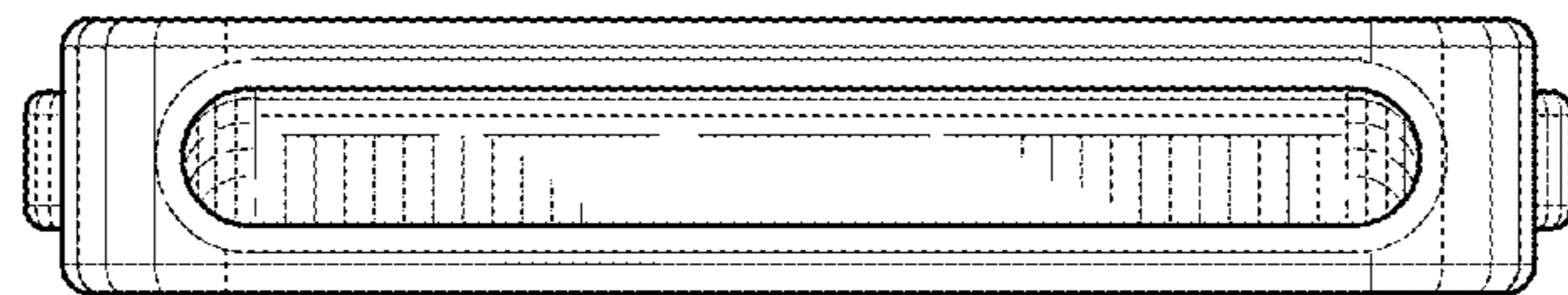


FIG.5

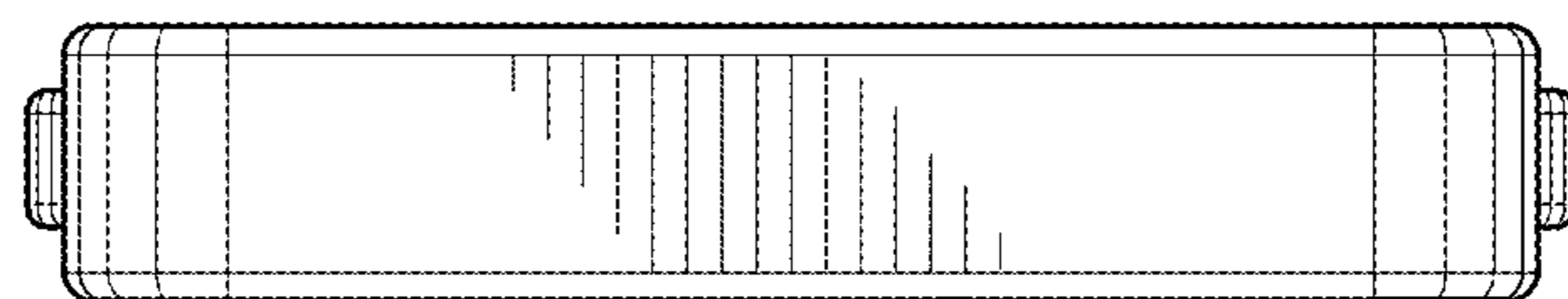


FIG.6

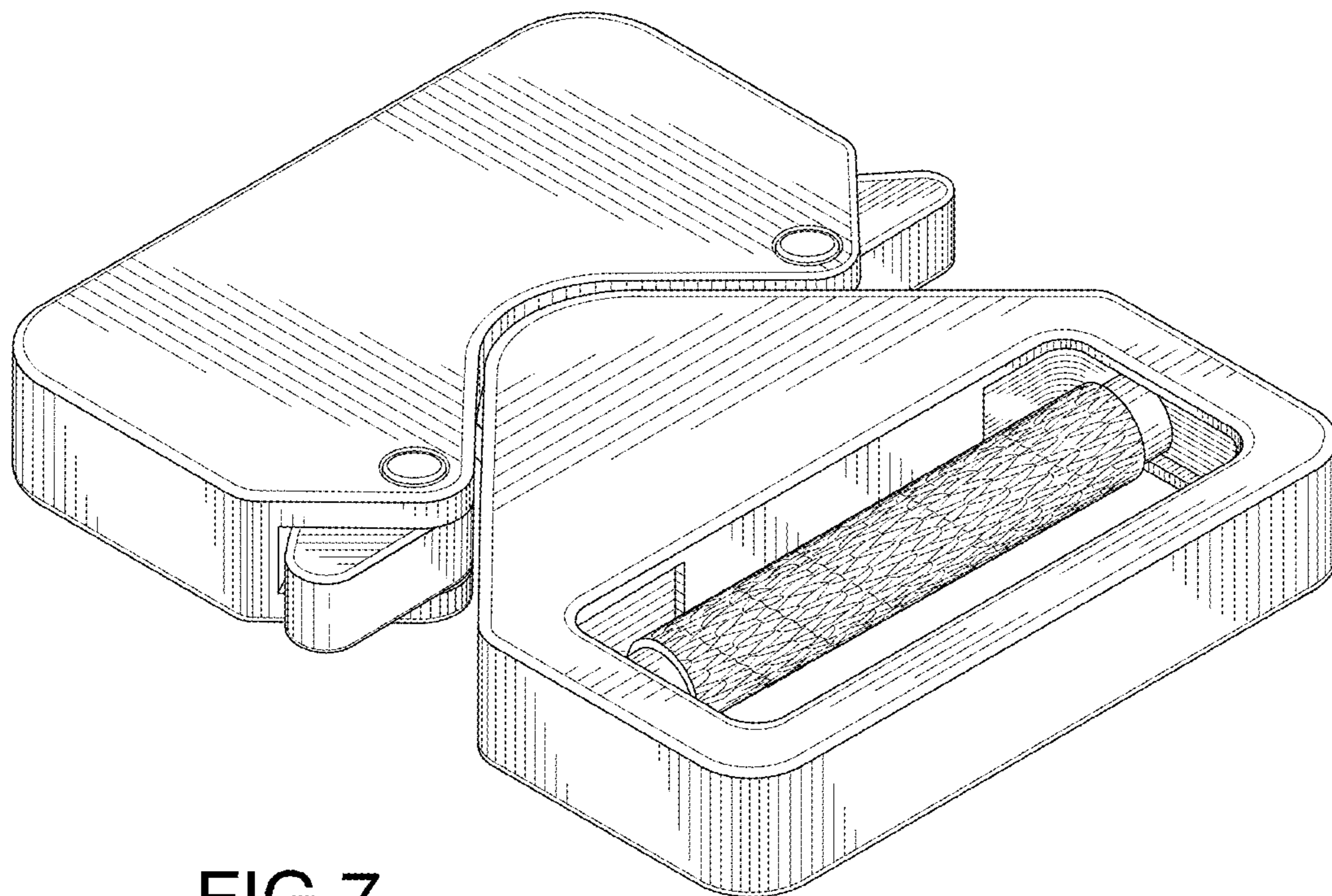


FIG. 7

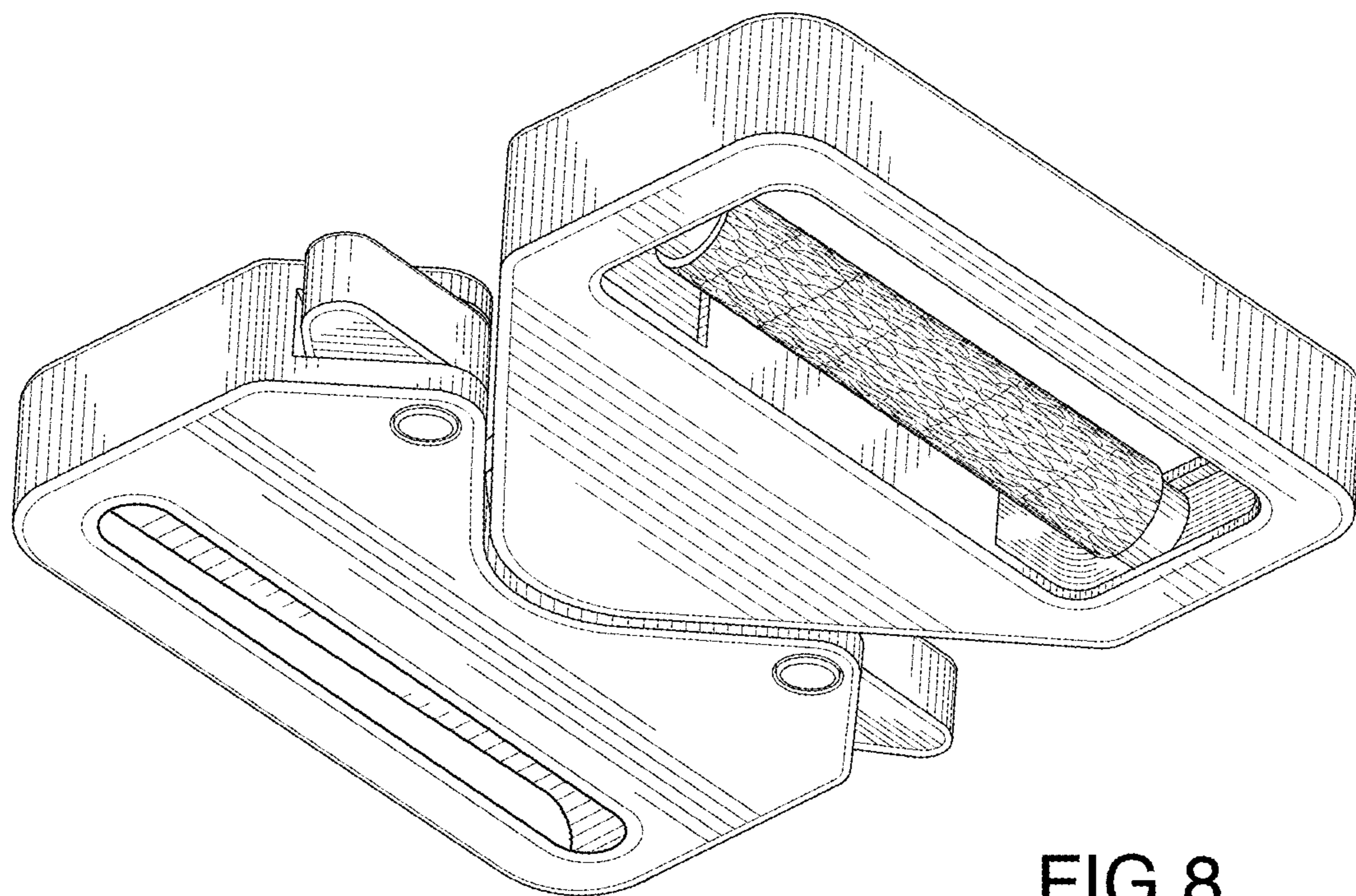


FIG. 8

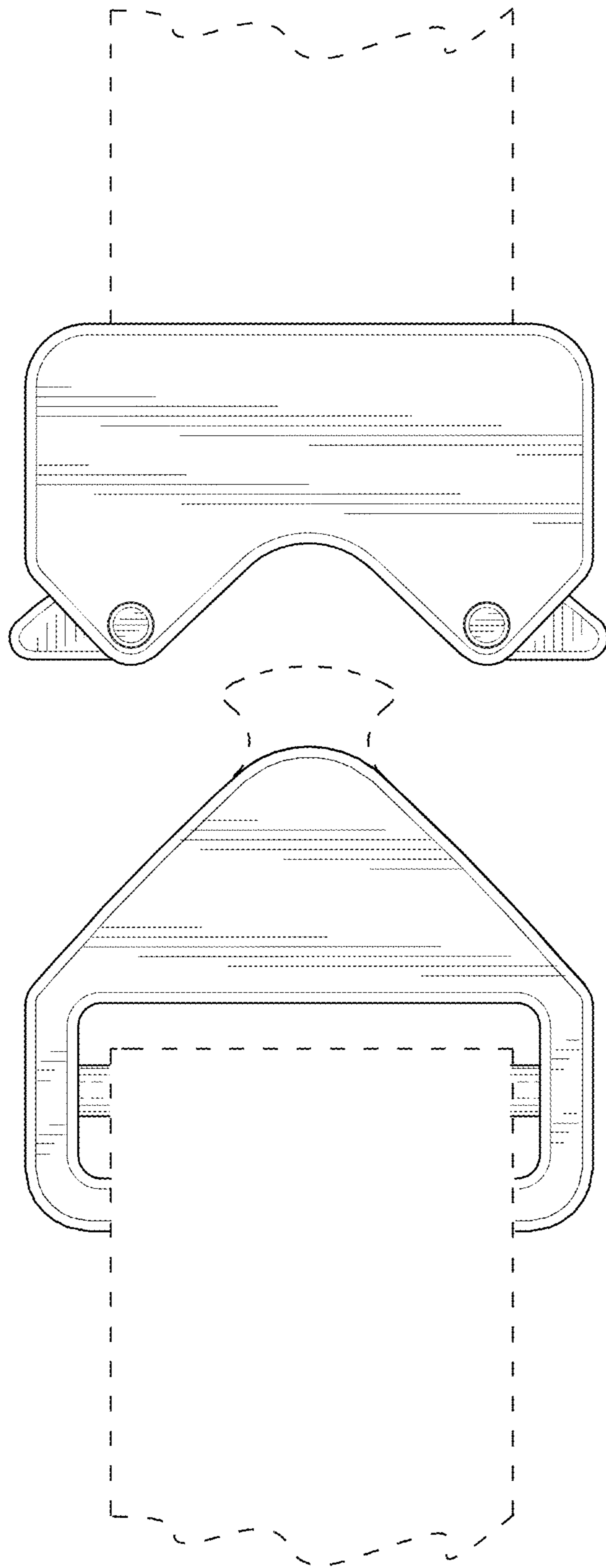


FIG. 9