



US00D963516S

(12) **United States Design Patent**
Johnson

(10) **Patent No.:** **US D963,516 S**

(45) **Date of Patent:** **** Sep. 13, 2022**

(54) **FLOWERPOT WITH INTEGRAL SOIL ANCHOR**

D932,597 S * 10/2021 Cheng D9/453
D951,132 S * 5/2022 Johnson D11/152
D951,133 S * 5/2022 Johnson D11/152

(Continued)

(71) Applicant: **Gerald Johnson**, Gurnee, IL (US)

(72) Inventor: **Gerald Johnson**, Gurnee, IL (US)

(**) Term: **15 Years**

FOREIGN PATENT DOCUMENTS

CA 1195118 A 10/1985
CN 201976493 U 9/2011

(Continued)

(21) Appl. No.: **29/734,287**

(22) Filed: **May 11, 2020**

(51) **LOC (13) Cl.** **11-02**

(52) **U.S. Cl.**
USPC **D11/152**

(58) **Field of Classification Search**
USPC D11/143–156, 164; D7/560–562,
D7/586–587, 603–608, 584, 538–542;
D9/428; D6/689, 692, 692.4, 692.5,
D6/403–405, 556–558; D8/1
CPC . A01G 9/02; A01G 9/021; A01G 9/04; A01G
27/003; A01G 31/06; A47G 7/00; A47G
7/02; A47G 7/04; A47G 7/08
See application file for complete search history.

Green Plastic & steel ground anchor, available 2022, online, site visited Jun. 15, 2022. Available online, URL: https://www.diy.com/departments/green-plastic-steel-ground-anchor-l-360mm/260744_BQ.prd (Year: 2022).*

(Continued)

Primary Examiner — W. A. Teddy Falloway
Assistant Examiner — Sarah J Ault
(74) *Attorney, Agent, or Firm* — Lesley A. Wallerstein, LLC

(57) **CLAIM**

The ornamental design for a flowerpot with integral soil anchor, as shown and described.

(56) **References Cited**

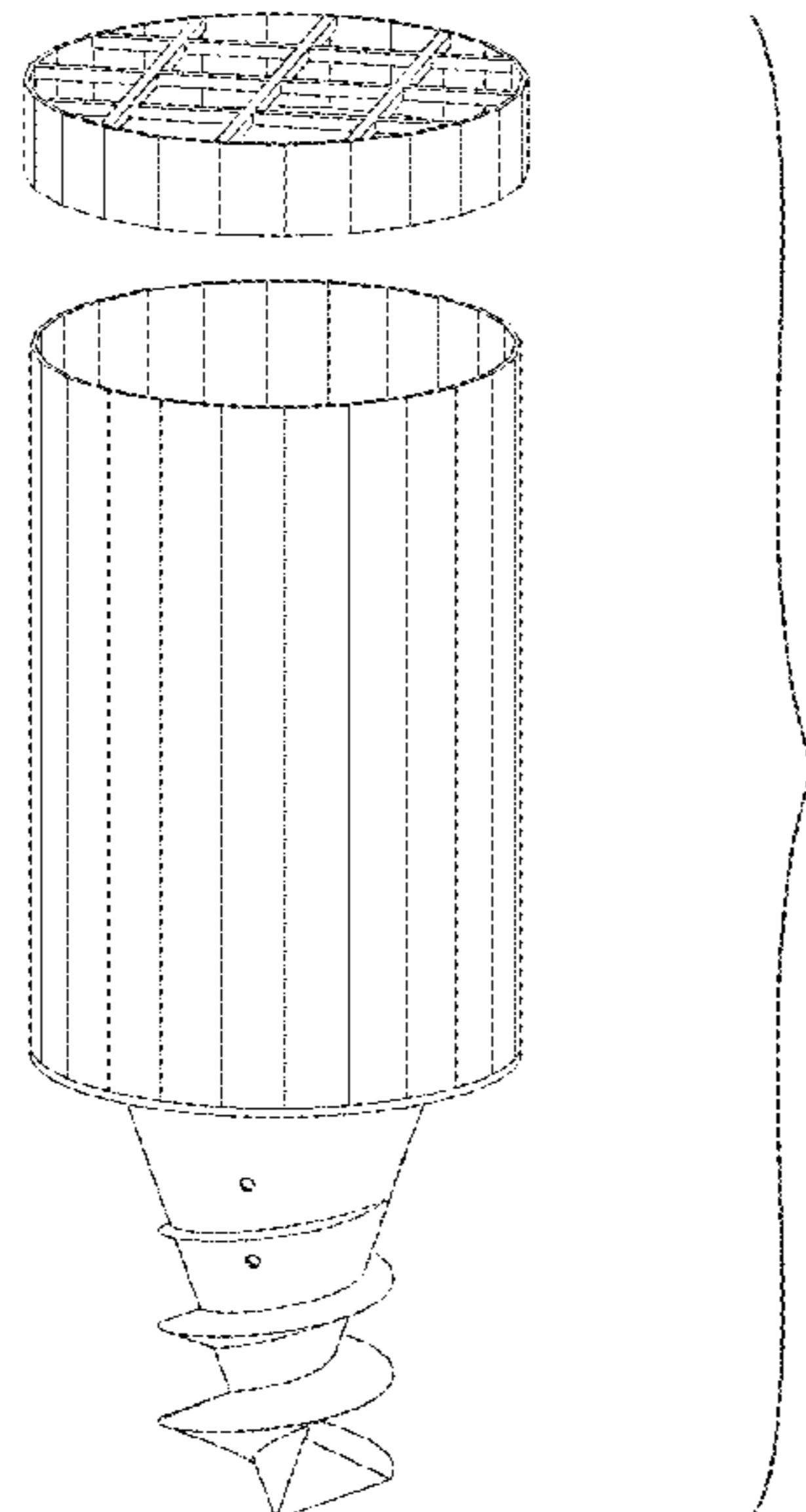
DESCRIPTION

U.S. PATENT DOCUMENTS

D26,106 S * 9/1896 Douglass D6/403
D231,116 S * 4/1974 Anderson D11/146
4,031,832 A 6/1977 Edwards
D259,870 S * 7/1981 Marantette D11/143
D373,291 S * 9/1996 Auker D8/1
D381,892 S * 8/1997 Porter D8/387
D425,327 S * 5/2000 Levesque D6/403
D559,051 S * 1/2008 Fleece D8/1
D641,655 S * 7/2011 Hawkinson D11/144
D690,170 S * 9/2013 Harris D7/673
D779,372 S * 2/2017 Kornegay D11/154
D800,983 S * 10/2017 Lee D9/503
D843,200 S * 3/2019 Tjerrild D8/387
D882,385 S * 4/2020 Tjerrild D8/387

FIG. 1 is a front top perspective view of a flowerpot with integral soil anchor, according to the present invention.
FIG. 2 is a front view thereof.
FIG. 3 is a back view thereof.
FIG. 4 is a left view thereof.
FIG. 5 is a right view thereof.
FIG. 6 is a top view thereof.
FIG. 7 is a bottom view thereof; and,
FIG. 8 is another perspective view thereof.
The broken lines in FIG. 6 are included to show a portion of the flowerpot with integral soil anchor that forms no part of the claimed design.

1 Claim, 7 Drawing Sheets



(56)

References Cited

U.S. PATENT DOCUMENTS

D951,134 S * 5/2022 Johnson D11/152
D951,136 S * 5/2022 Johnson D11/156
2016/0057951 A1 3/2016 Twist

FOREIGN PATENT DOCUMENTS

CN 106688739 A 5/2017
CN 206728674 U 12/2017
CN 109328739 A 2/2019
CN 306046103 * 9/2020
CN 306327856 * 2/2021
EM 006537643-0001 * 6/2019
EP 2733264 A1 5/2014
FR 1510269 A 1/1968
FR 2824701 5/2003
JP 2006061042 A 3/2006
JP 2006254865 A 9/2006
JP 2004254604 B 10/2007
KR 20130677207 1/2013
KR 20140068414 A 6/2014
KR 20140116351 A 10/2014
KR 20170004197 U 12/2017
WO 2004074214 A3 11/2004

OTHER PUBLICATIONS

Weather resistant cemetery grave vase, available Jan. 1, 2021, online, site visited Jun. 15, 2022. Available online, URL: https://www.amazon.com/Weather-Resistant-Cemetery-Gravesite-Memorial/dp/B08PG2KRK9/ref=psdc_3238155011_t2_B01E0H85LE (Year: 2021).*

* cited by examiner

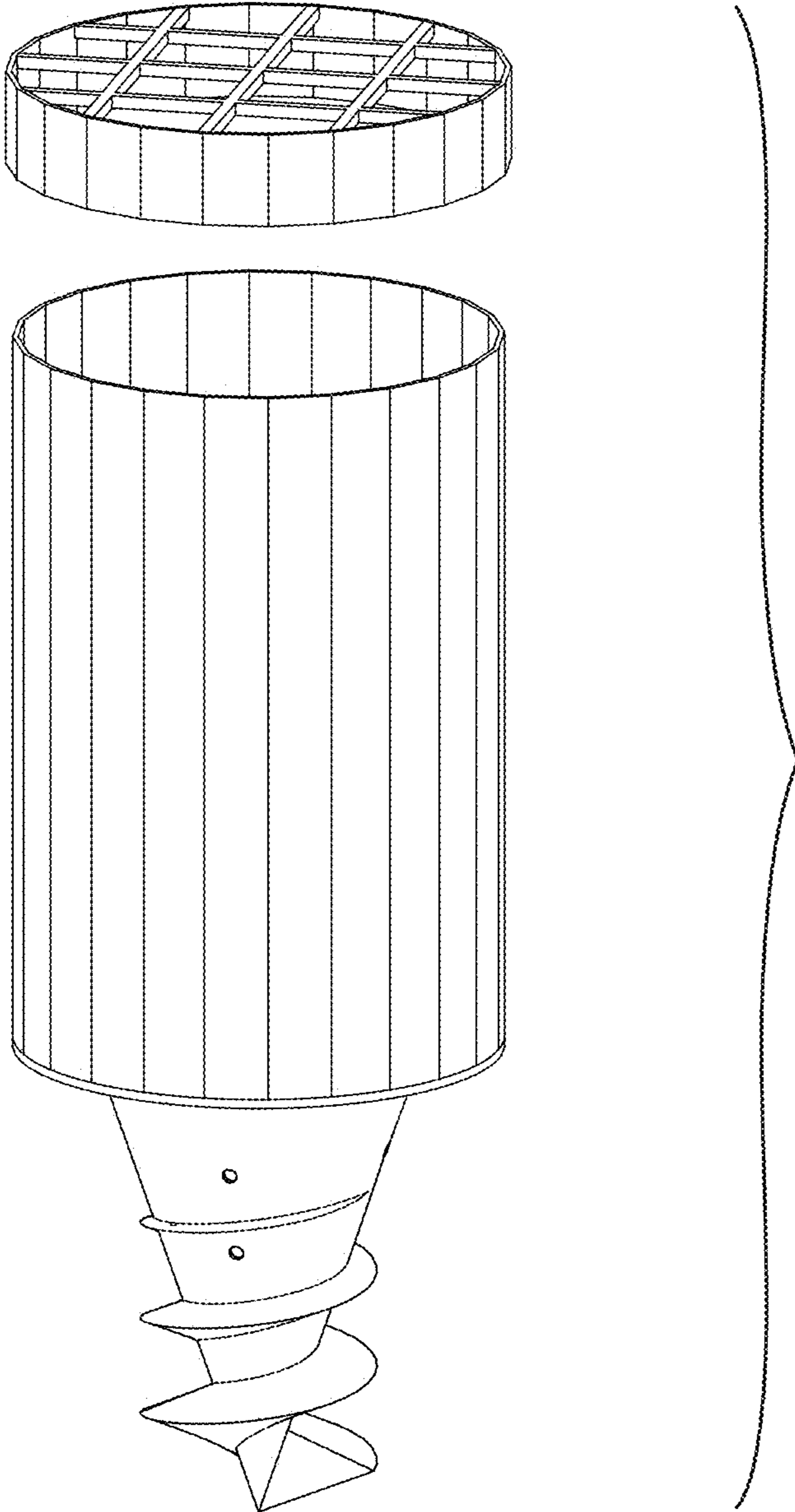


FIG. 1

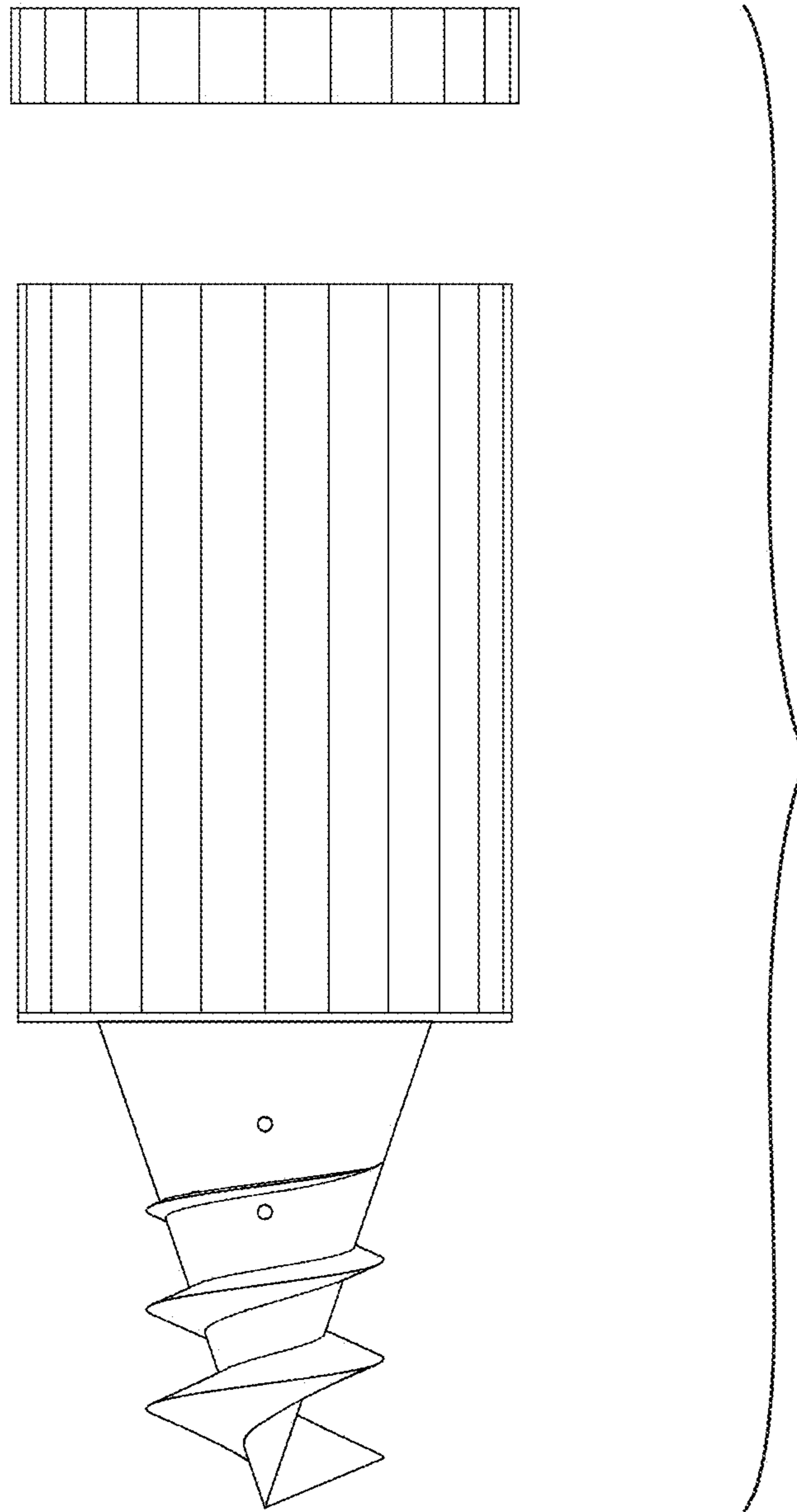


FIG. 2

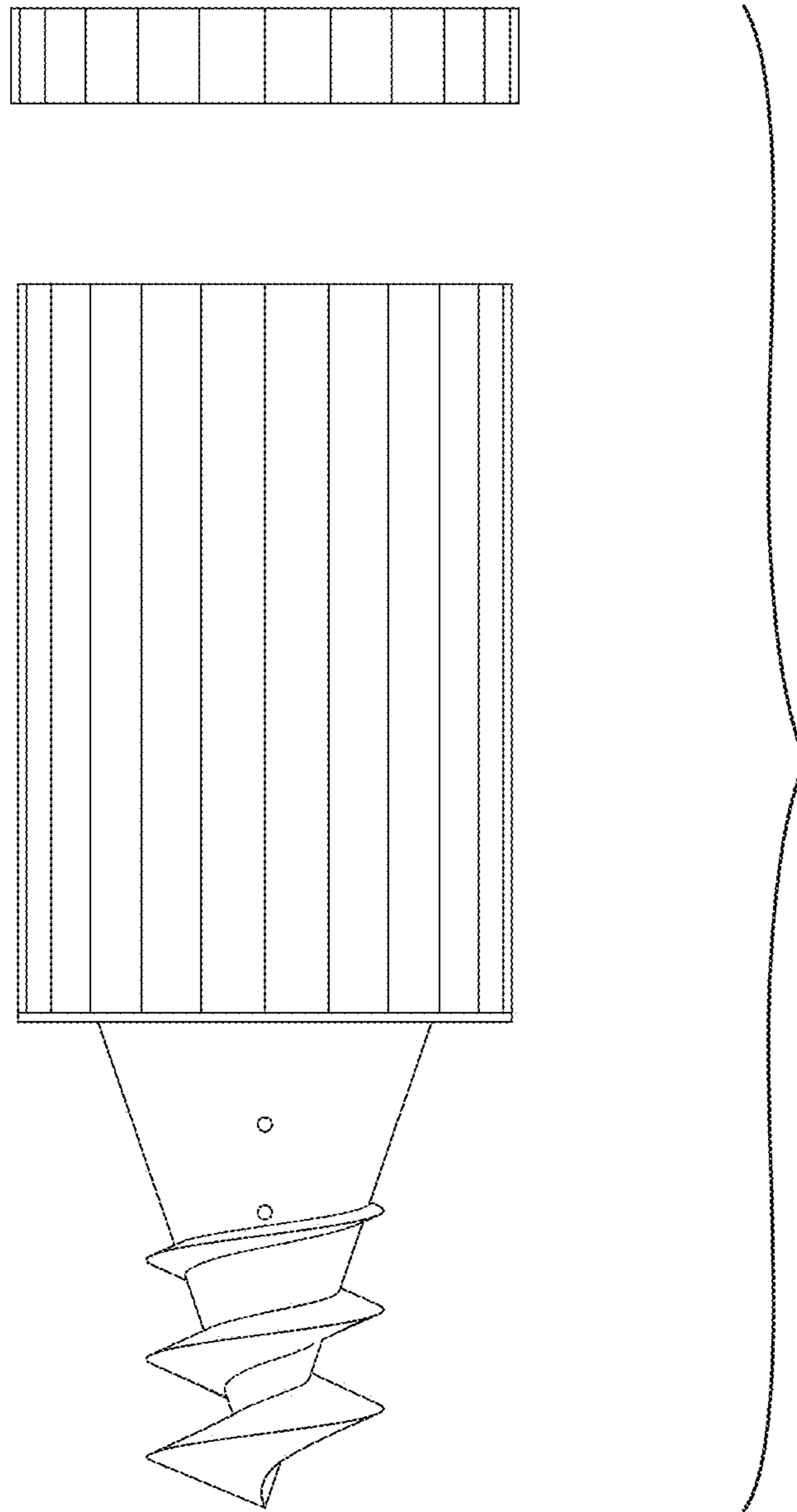


FIG. 3

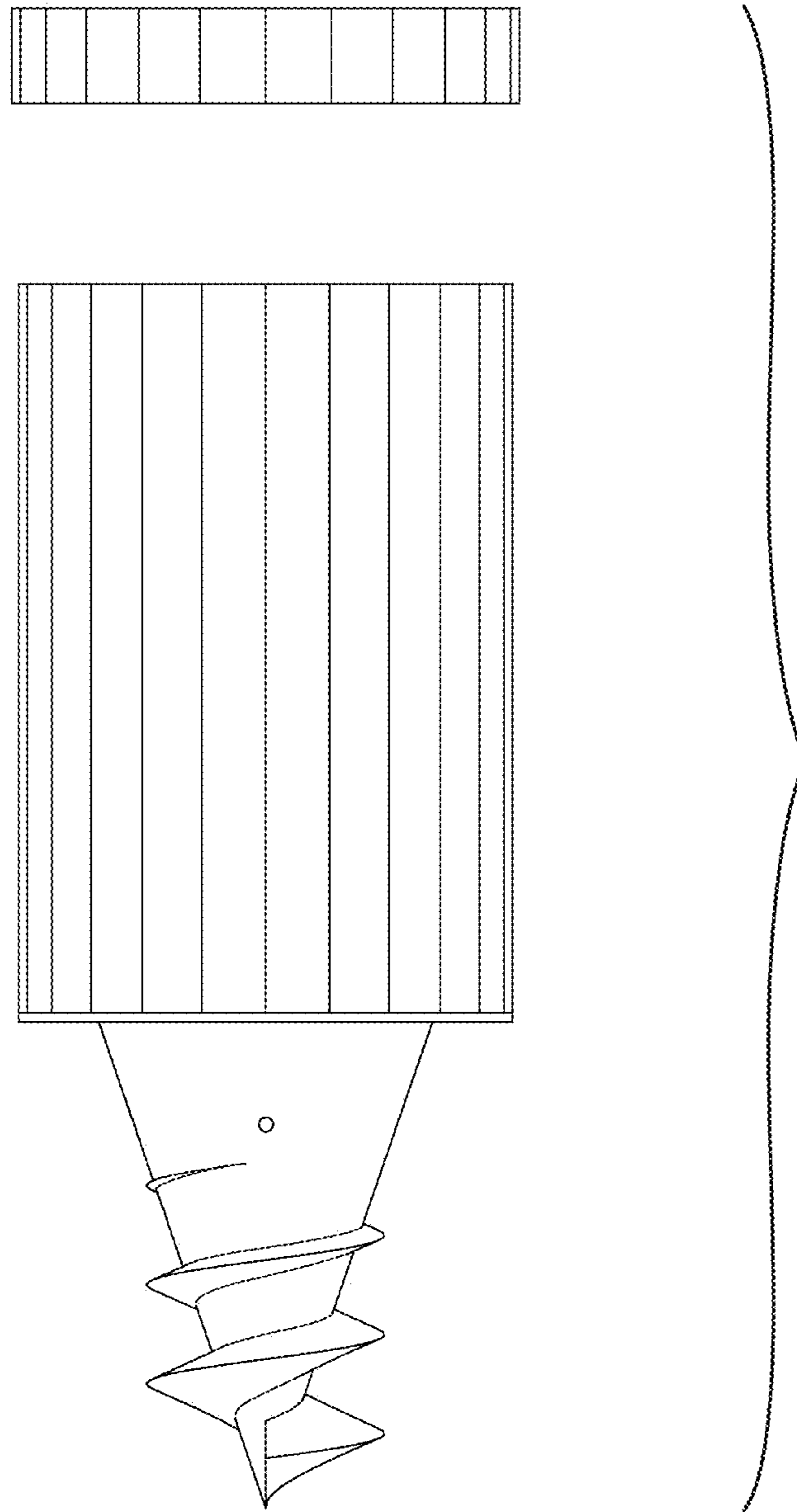


FIG. 4

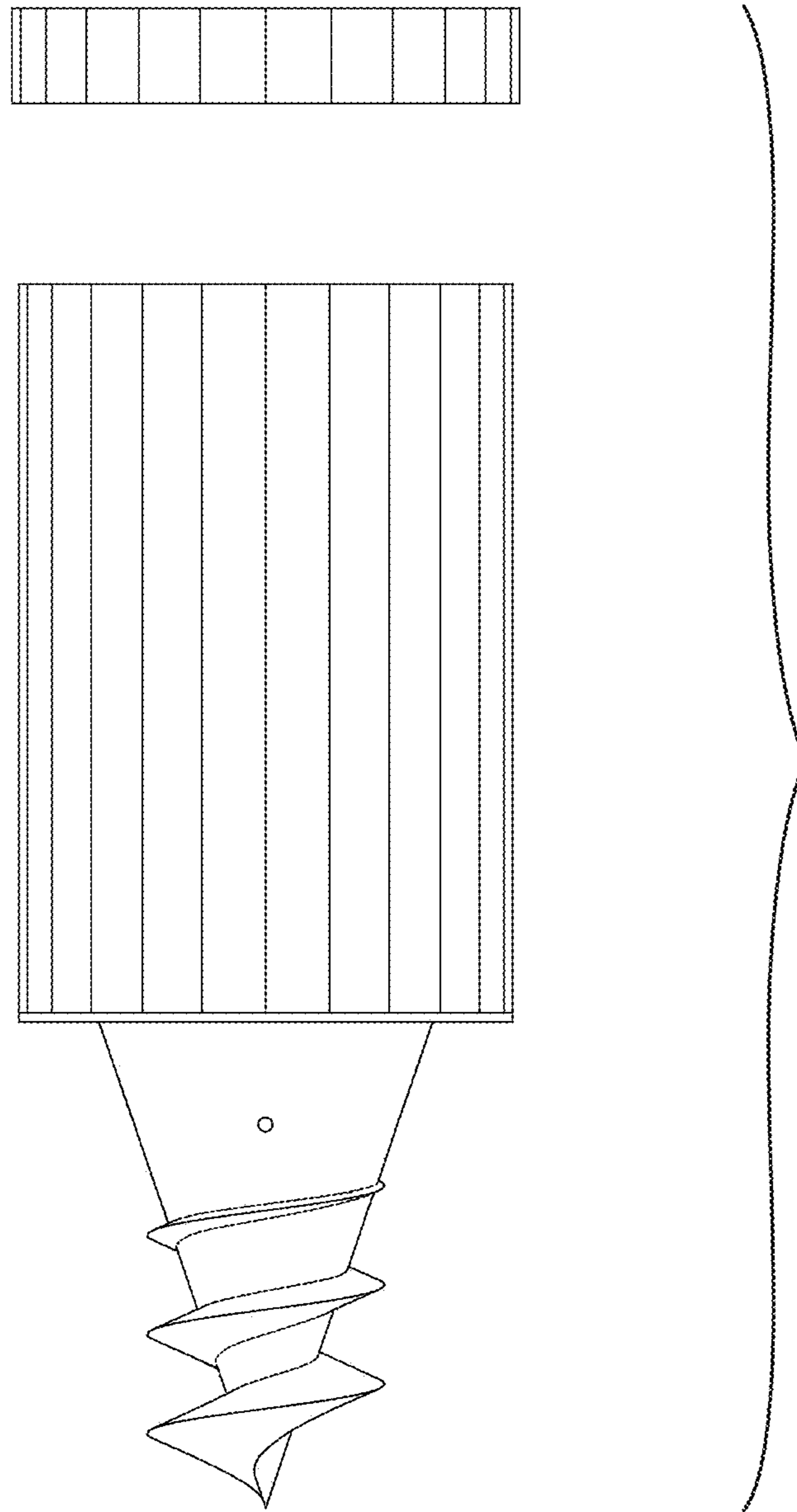


FIG. 5

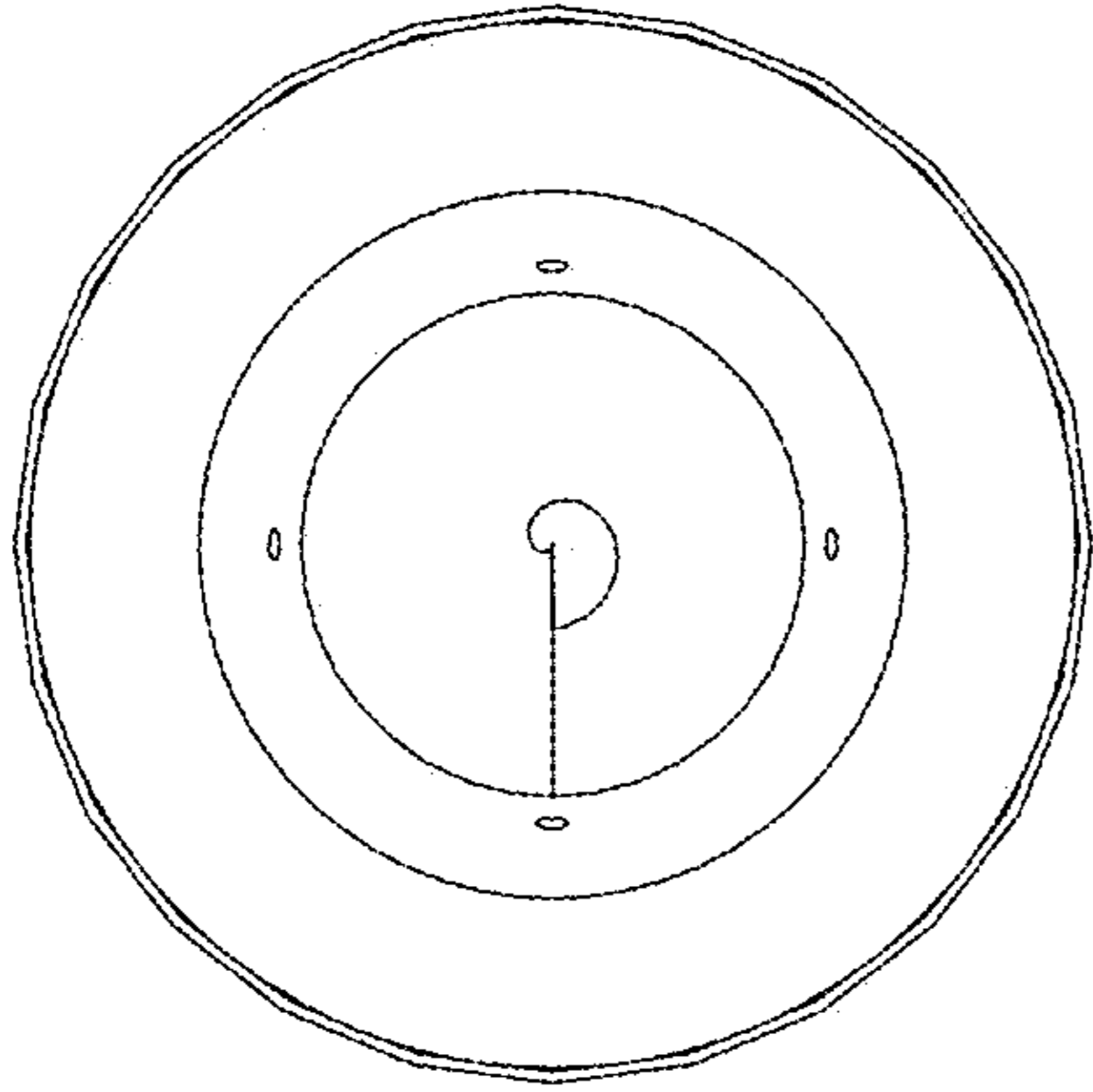


FIG. 7

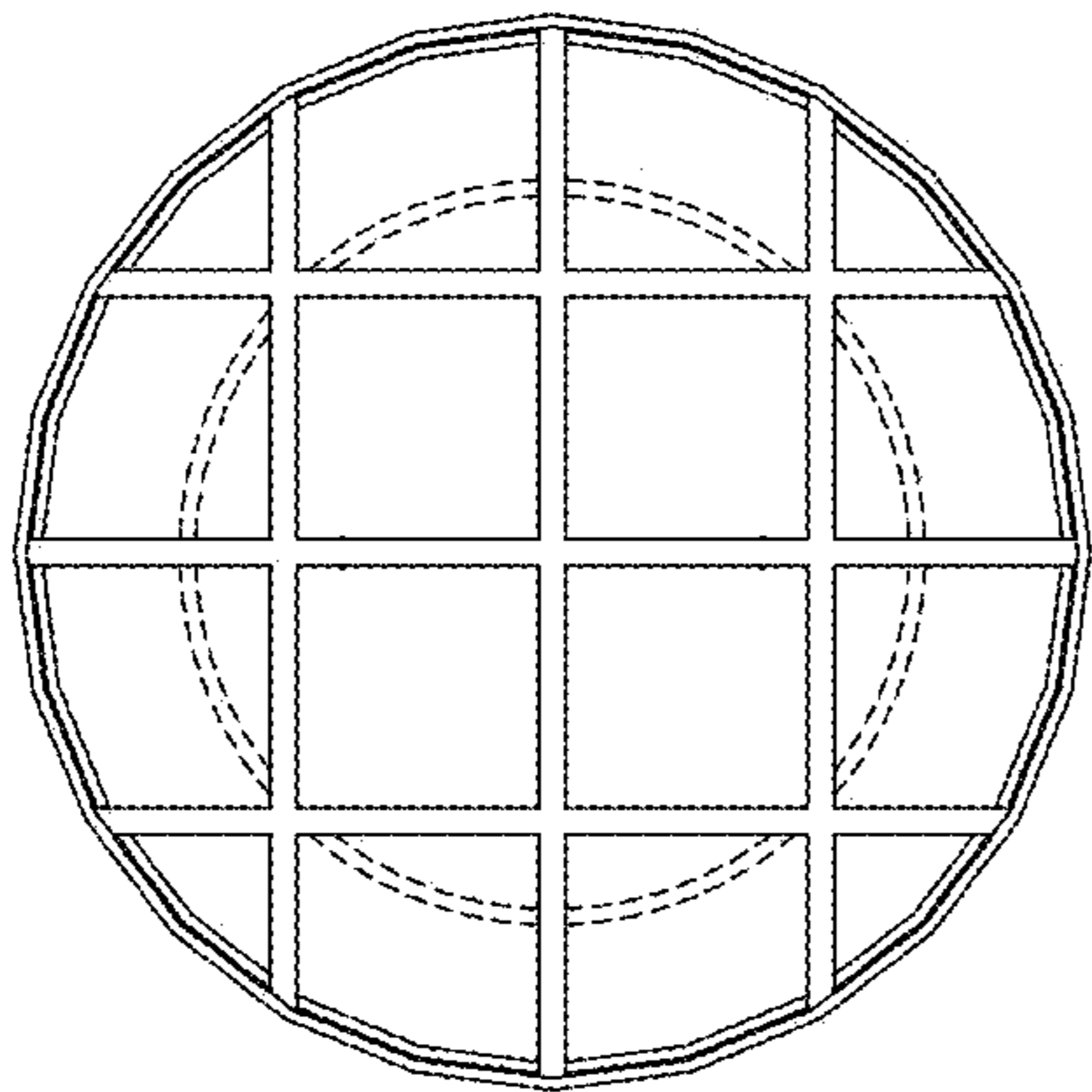


FIG. 6

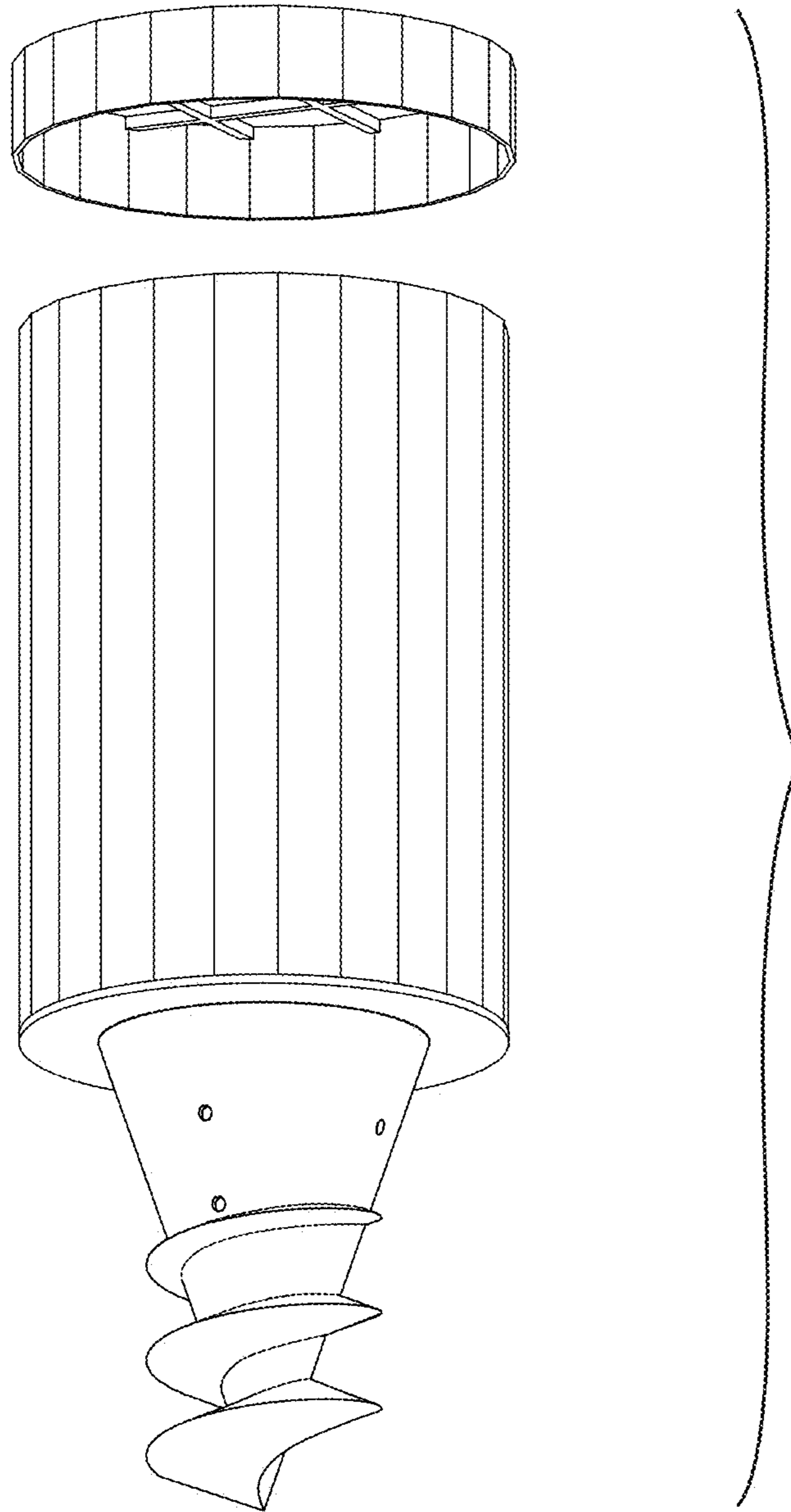


FIG. 8