

US00D963513S

(12) **United States Design Patent**
McNamara et al.

(10) **Patent No.:** **US D963,513 S**

(45) **Date of Patent:** **** Sep. 13, 2022**

- (54) **DECORATIVE WREATH MOUNT**
- (71) Applicants: **Richard J. McNamara**, Tampa, FL
(US); **Judith M. Smith**, High Ridge,
MO (US)
- (72) Inventors: **Richard J. McNamara**, Tampa, FL
(US); **Judith M. Smith**, High Ridge,
MO (US)
- (**) Term: **15 Years**
- (21) Appl. No.: **29/721,708**
- (22) Filed: **Jan. 22, 2020**
- (51) **LOC (13) Cl.** **11-05**
- (52) **U.S. Cl.**
USPC **D11/130**
- (58) **Field of Classification Search**
USPC D11/117, 120, 121, 130, 131, 143, 144,
D11/155, 164; D8/300, 303, 315, 321,
D8/349; D6/315, 320, 324, 325, 672,
D6/546, 549
CPC A47G 33/00; A47G 33/10; B44C 5/02;
A41G 1/00; A41G 1/02; A41G 1/04;
A47K 10/04; A47K 10/025; A47K 10/00;
A47K 10/12; A01G 5/04; A01G 5/00;
A01G 5/02; A01G 5/06; A01G 5/12
See application file for complete search history.

(56) **References Cited**

U.S. PATENT DOCUMENTS

- 1,478,487 A * 12/1923 Ross A01G 5/04
428/17
- 1,801,387 A * 4/1931 Routman A01G 5/04
428/10
- 1,893,970 A * 1/1933 Takahashi A01G 5/04
47/55
- 1,958,716 A * 5/1934 Roach A01G 5/04
256/34

- 2,119,237 A * 5/1938 Mendel A01G 5/04
211/195
- 2,499,740 A * 3/1950 Glance A01G 5/04
428/10
- 2,850,826 A * 9/1958 Testa A01G 5/04
47/41.12
- 4,058,929 A * 11/1977 O'Connell A01G 5/04
428/3
- D334,315 S * 3/1993 Bengtson D23/304
- 5,310,151 A * 5/1994 Engel F21V 21/08
248/230.8

(Continued)

Primary Examiner — Elizabeth J Oswecki

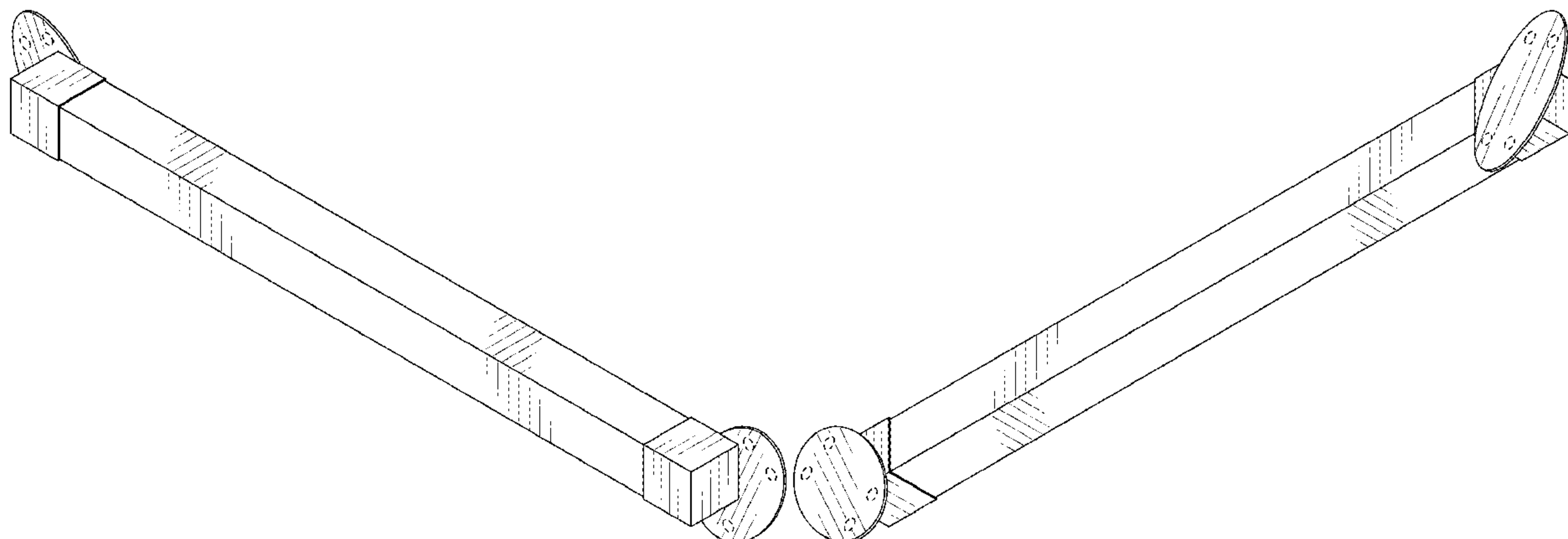
(57) **CLAIM**

The ornamental design for a decorative wreath mount, as shown and described.

DESCRIPTION

FIG. 1 is a top, front, left perspective view of a decorative wreath mount, showing our new design;
 FIG. 2 is a bottom, rear, right perspective view thereof;
 FIG. 3 is a front elevation view thereof;
 FIG. 4 is a rear elevation view thereof;
 FIG. 5 is a top plan view thereof;
 FIG. 6 is a bottom plan view thereof;
 FIG. 7 is a right side elevation view thereof;
 FIG. 8 is a left side elevation view thereof;
 FIG. 9 is a top, front, right perspective view thereof, showing the decorative wreath mount with a light mechanism shown in broken lines; and,
 FIG. 10 is a top, rear, right perspective view thereof, showing the decorative wreath mount with a light mechanism and a decorative wreath shown in broken lines.
 The broken lines showing of holes in FIG. 1-4 and FIG. 9-10, the broken lines showing of a light mechanism in FIG. 9-10, and the broken lines showing of a wreath in FIG. 10 are included for the purpose of showing environmental structure and form no part of the claimed design.

1 Claim, 10 Drawing Sheets



(56)

References Cited

U.S. PATENT DOCUMENTS

5,519,966 A * 5/1996 Cassette A01G 5/04
47/33
D481,652 S * 11/2003 Kamysiak D11/130
6,857,608 B2 * 2/2005 Avinger A01G 5/04
248/339
D571,687 S * 6/2008 Spencer D11/117
D585,326 S * 1/2009 Donaldson D11/117
D588,495 S * 3/2009 Cobb D11/130
D703,578 S * 4/2014 Madrid D11/130
D706,161 S * 6/2014 Madrid D11/130
D711,771 S * 8/2014 Madrid D11/130
D739,293 S * 9/2015 Penrod D11/130
D745,835 S * 12/2015 Cortes D11/130
9,357,713 B1 * 6/2016 Sharpe A01G 5/04
D901,208 S * 11/2020 Chiang D6/546
11,363,760 B2 * 6/2022 McNamara A47G 7/006

* cited by examiner

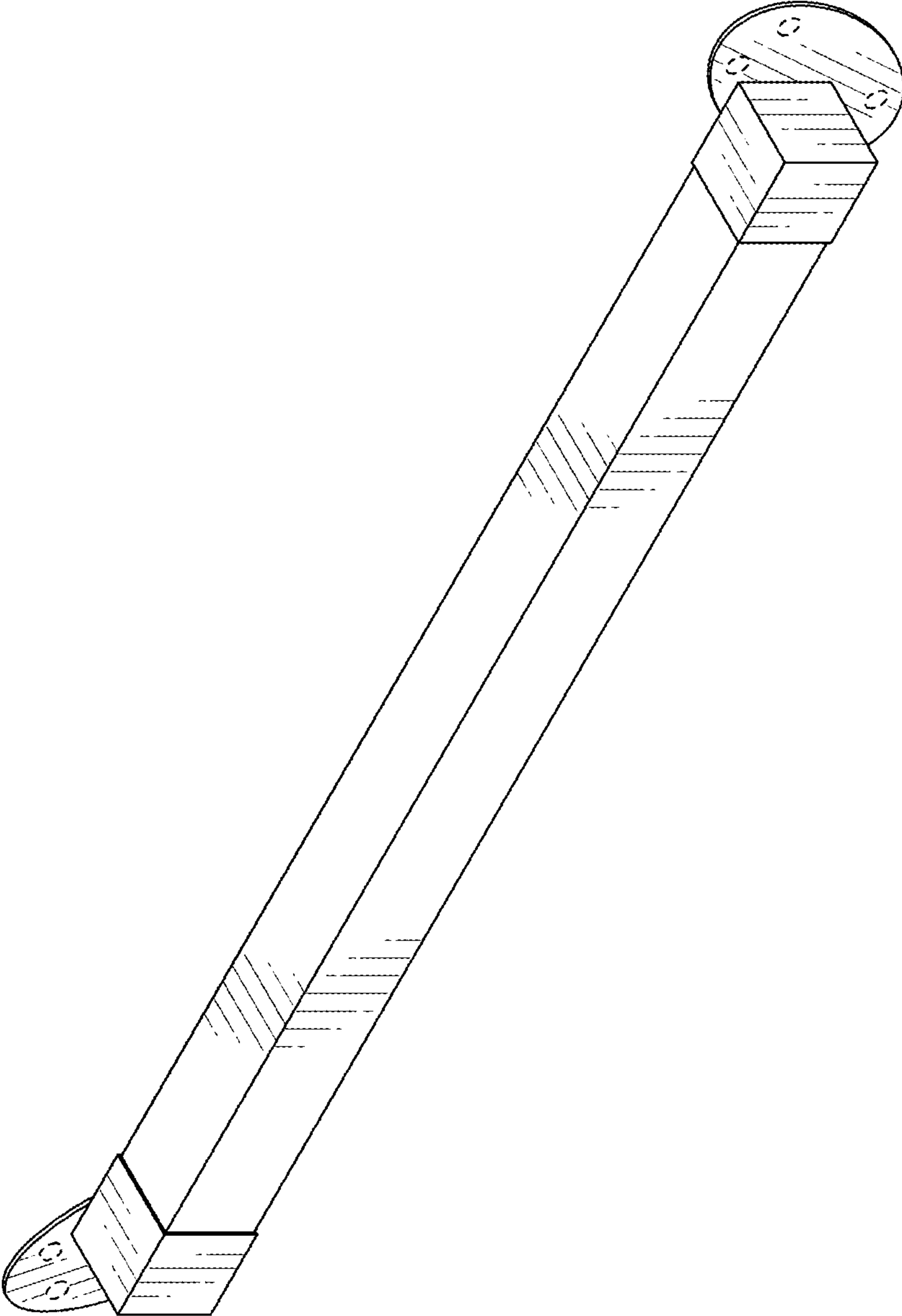


FIG. 1

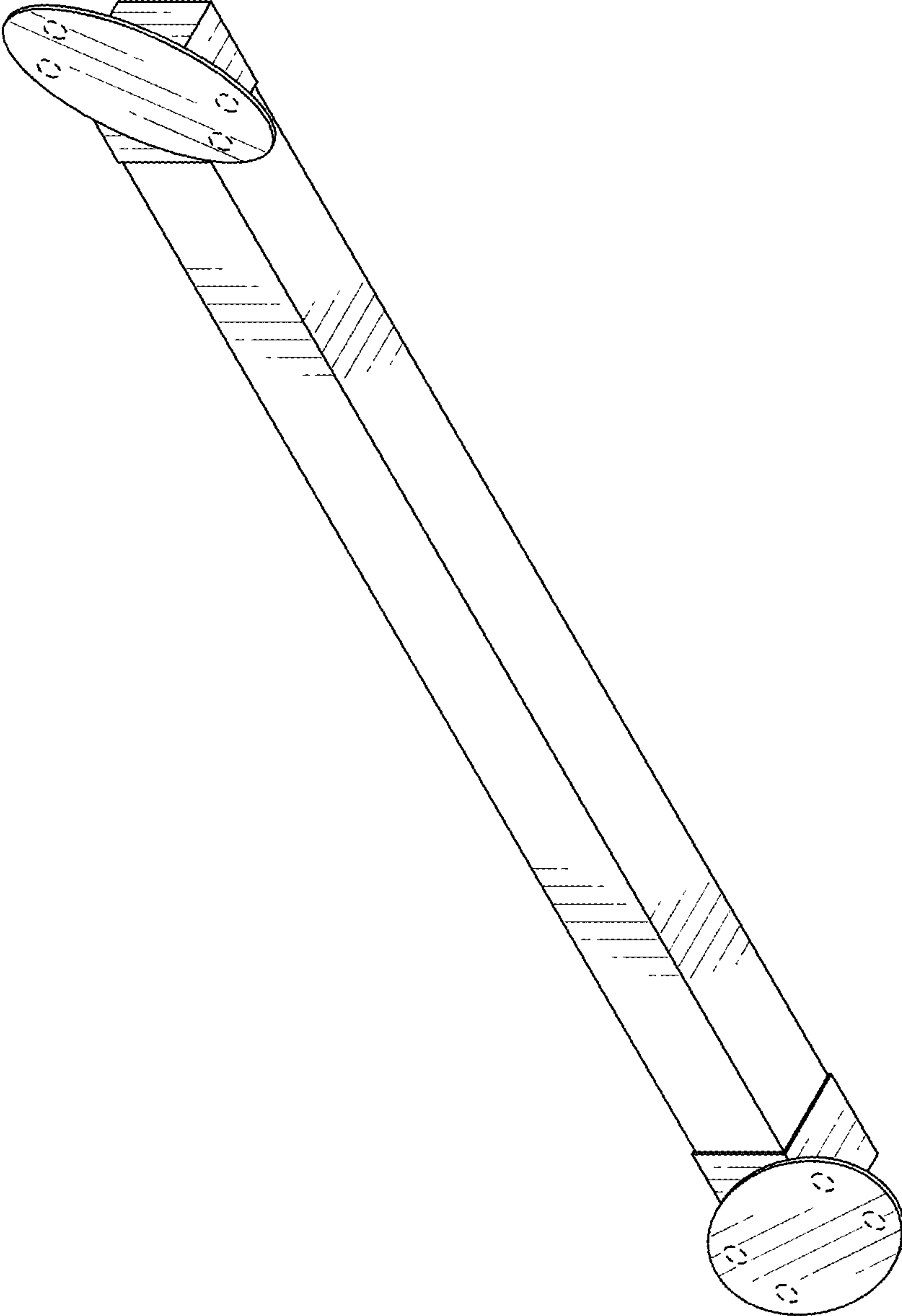


FIG. 2

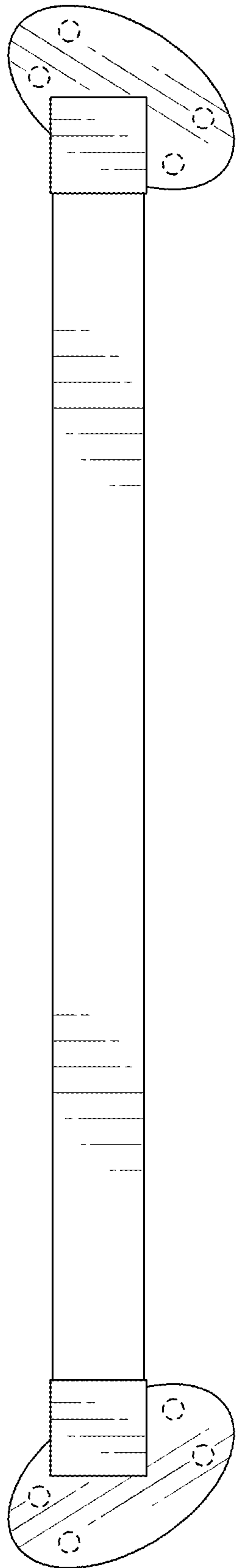


FIG. 3

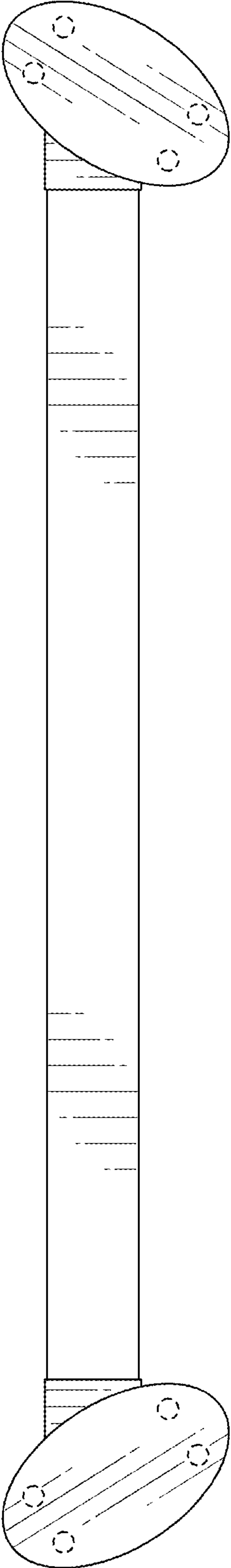


FIG. 4



FIG. 5

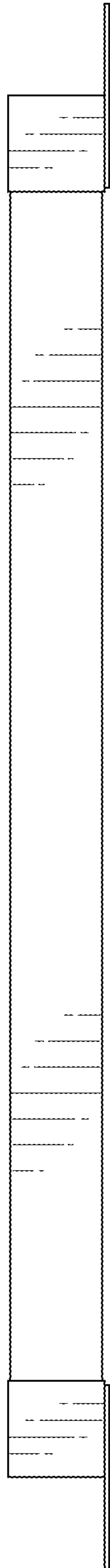


FIG. 6

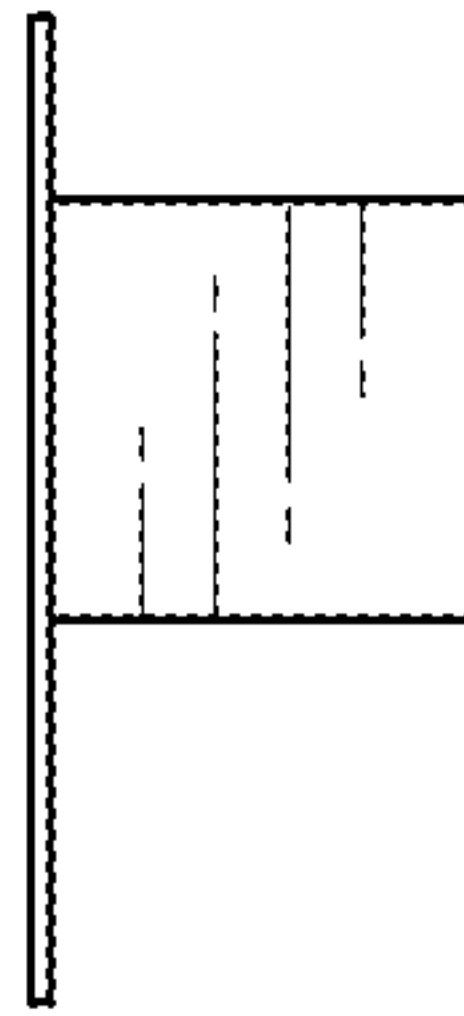


FIG. 7

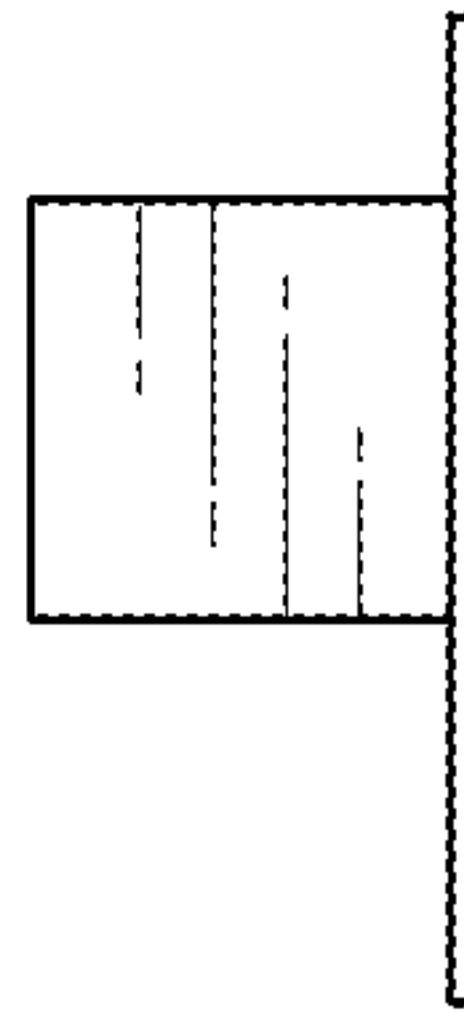


FIG. 8

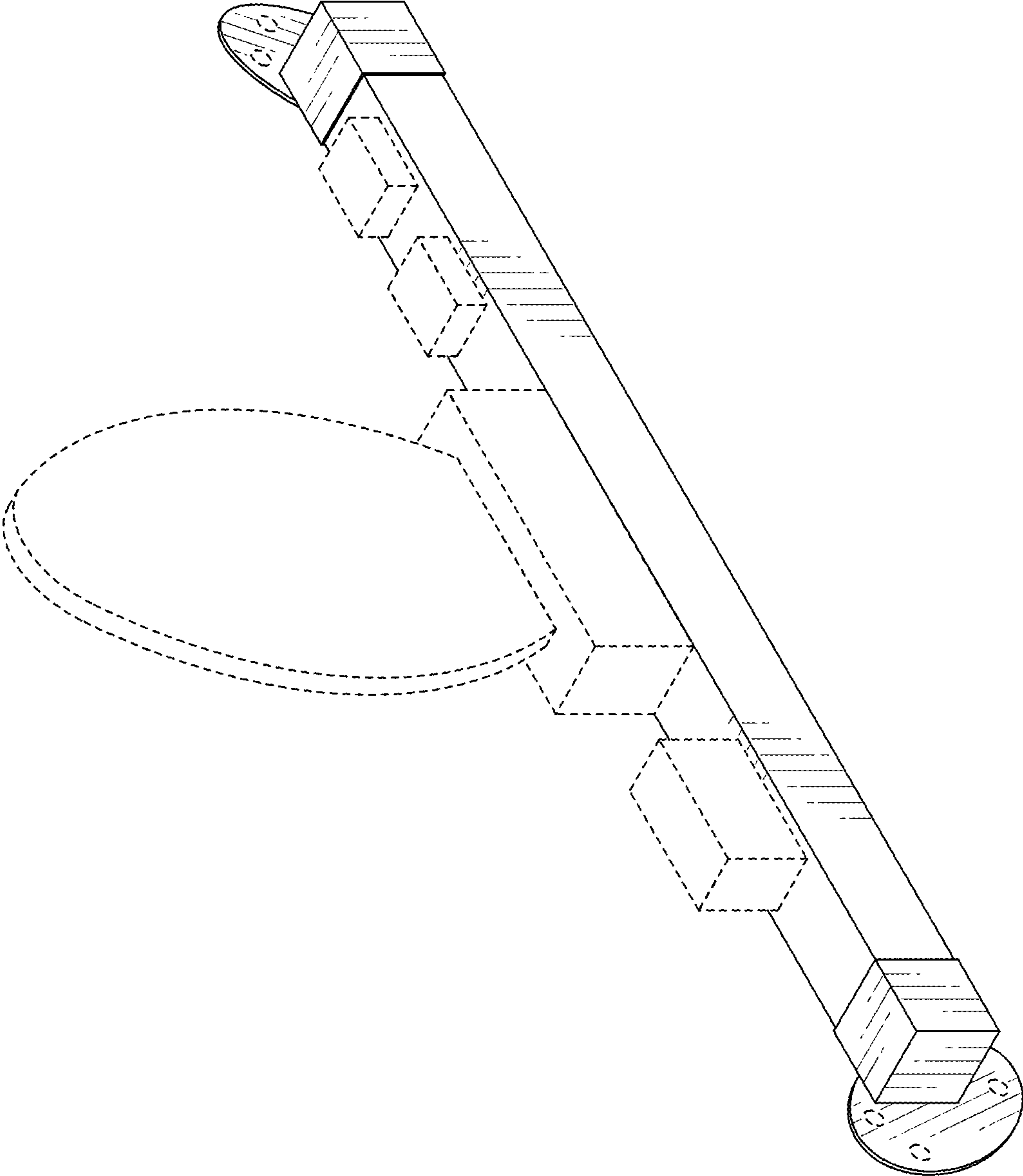


FIG. 9

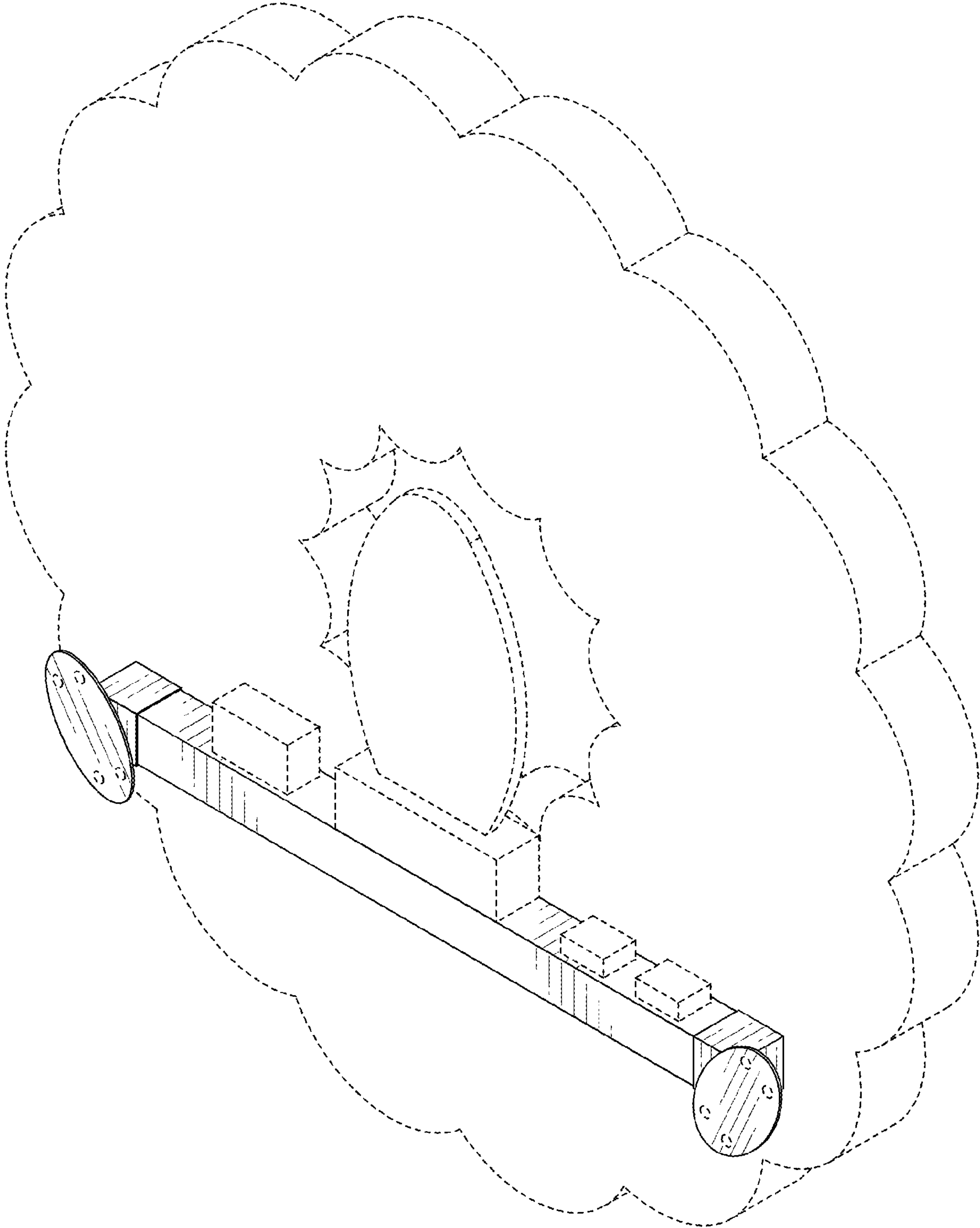


FIG. 10