

US00D963510S

(12) **United States Design Patent** (10) **Patent No.:** **US D963,510 S**
Huang (45) **Date of Patent:** **** Sep. 13, 2022**

(54) **PENDANT**
(71) Applicant: **Gang Huang**, Guangzhou (CN)
(72) Inventor: **Gang Huang**, Guangzhou (CN)
(**) Term: **15 Years**
(21) Appl. No.: **29/800,972**
(22) Filed: **Jul. 26, 2021**
(51) **LOC (13) Cl.** **11-01**
(52) **U.S. Cl.**
USPC **D11/79**
(58) **Field of Classification Search**
USPC D11/40–50, 61, 79–86, 91, 92, 1, 2, 3, 7,
D11/8
CPC A44C 25/00; A44C 25/001; A44C 25/002;
A44C 25/007; A44C 15/00; A44C
15/005; A44C 15/0055; A44C 1/00
See application file for complete search history.

10,349,710 B1 * 7/2019 Talesara A44C 25/001
D868,615 S * 12/2019 Bhosale D11/91
D907,523 S * 1/2021 Shah D11/86
D915,925 S 4/2021 Abrams
D921,523 S * 6/2021 Huang D11/79
D926,072 S * 7/2021 Messika D11/79
D931,755 S * 9/2021 Huang D11/79
D932,336 S * 10/2021 Huang D11/79
D939,377 S * 12/2021 Huang D11/79
D945,915 S * 3/2022 Lee D11/41
D949,736 S * 4/2022 Dholakiya D11/91
2008/0016915 A1 * 1/2008 Shah A44C 15/0025
63/40
2009/0100866 A1 * 4/2009 Creel A44B 15/005
63/3
2018/0242698 A1 * 8/2018 Nemiroff A44C 25/001
2019/0298014 A1 * 10/2019 Kim A44C 25/001
2021/0022459 A1 * 1/2021 Berka A44C 17/0208
2021/0106102 A1 * 4/2021 Roi-Sanginario A44C 25/00
2021/0186167 A1 * 6/2021 Roi-Sanginario A44C 7/002

* cited by examiner

Primary Examiner — Melanie Pellegrini
(74) *Attorney, Agent, or Firm* — Rumit R. Kanakia

(56) **References Cited**

U.S. PATENT DOCUMENTS

D55,597 S * 7/1920 Feiger D11/91
D58,307 S * 7/1921 Davidson D11/90
D415,446 S * 10/1999 Kattan D11/43
D550,582 S * 9/2007 Gruosi-Scheufele D11/43
D580,812 S * 11/2008 Grassi Damiani D11/40
D644,141 S * 8/2011 George D11/79
D713,755 S * 9/2014 Thompson D11/43
D715,677 S 10/2014 Lavigne et al.
D719,476 S 12/2014 Harel-Klein et al.
D722,279 S 2/2015 Kirkham
D728,412 S * 5/2015 Dobashi D11/91
D732,419 S * 6/2015 Wong D11/86
D770,305 S 11/2016 Lee et al.
D798,188 S * 9/2017 Wong D11/92
D813,717 S * 3/2018 Shah D11/91
D833,325 S 11/2018 Silvestri
D852,084 S * 6/2019 Ho D11/92

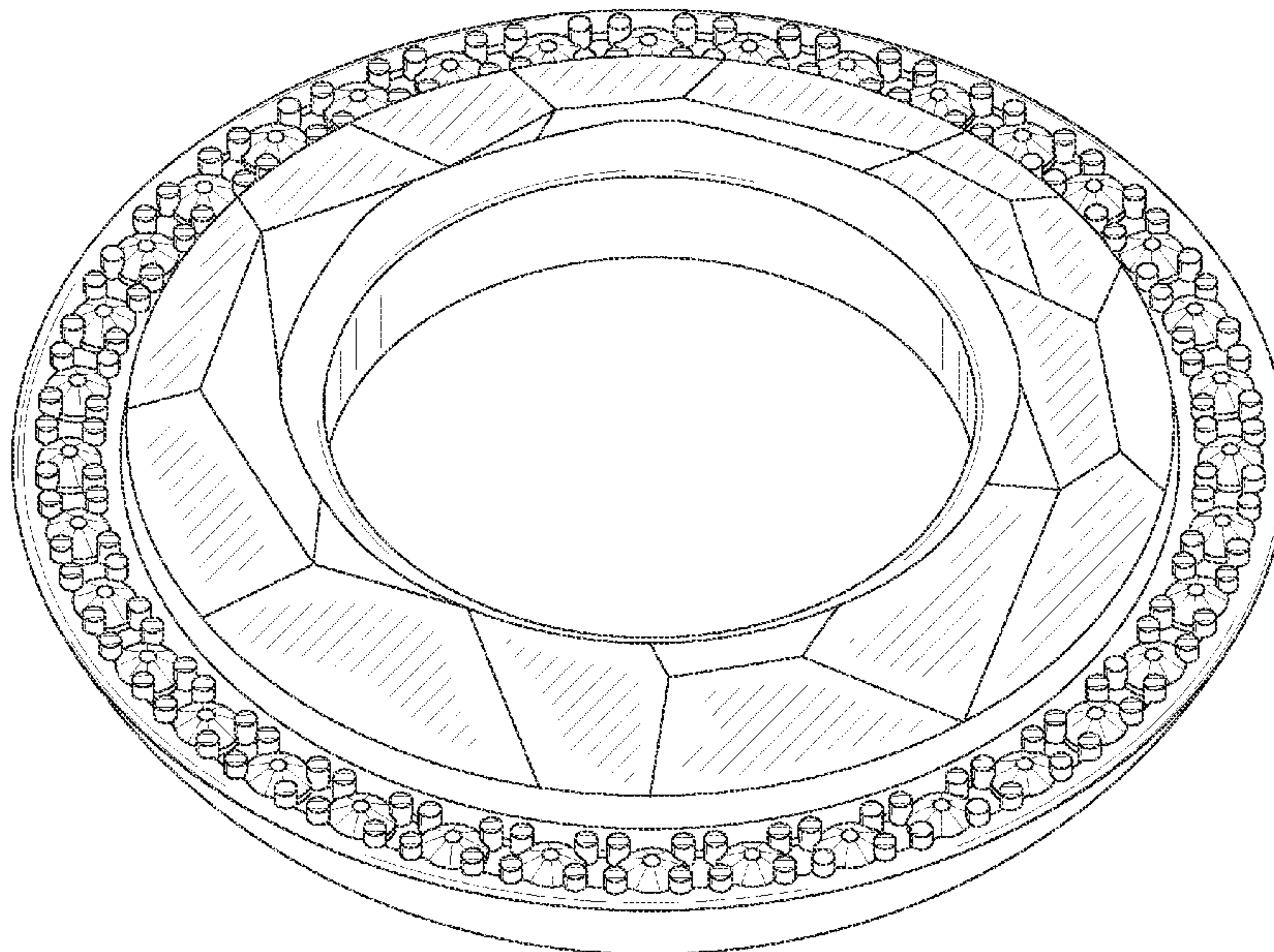
(57) **CLAIM**

I claim the ornamental design for a pendant, as shown and described.

DESCRIPTION

FIG. 1 is a perspective view of a pendant showing my new design;
FIG. 2 is a front view thereof;
FIG. 3 is a back view thereof;
FIG. 4 is a right-side view thereof;
FIG. 5 is a left-side view thereof;
FIG. 6 is a top view thereof; and,
FIG. 7 is a bottom view thereof.
The broken lines in the drawings depict portions of the pendant that form no part of the claimed design.

1 Claim, 7 Drawing Sheets



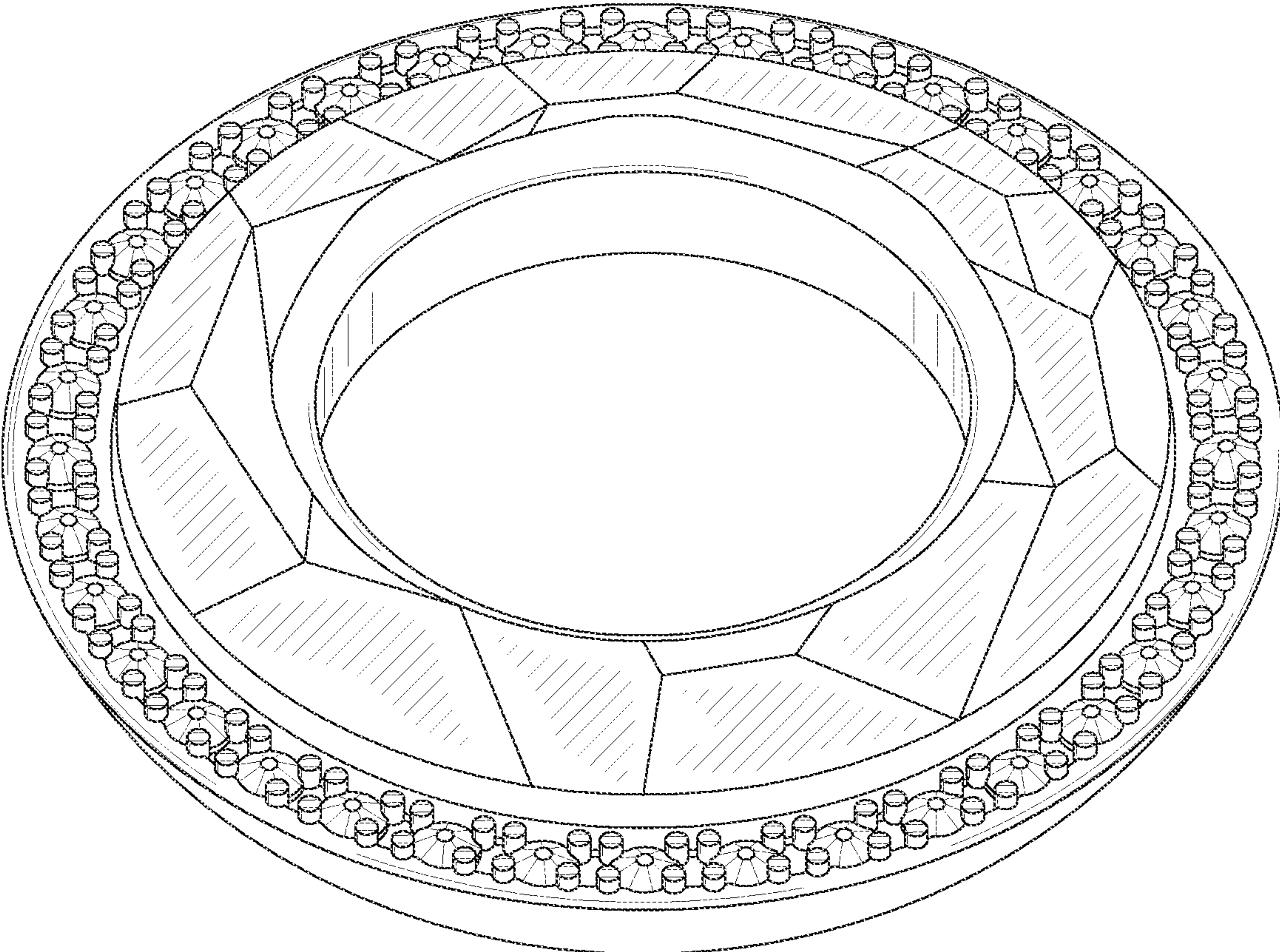


FIG. 1

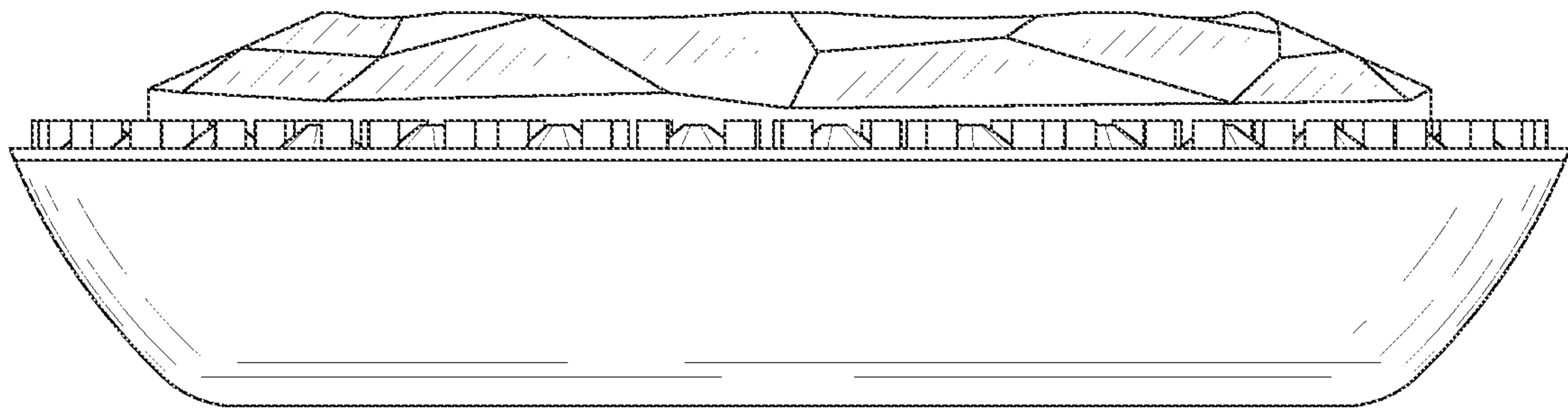


FIG. 2

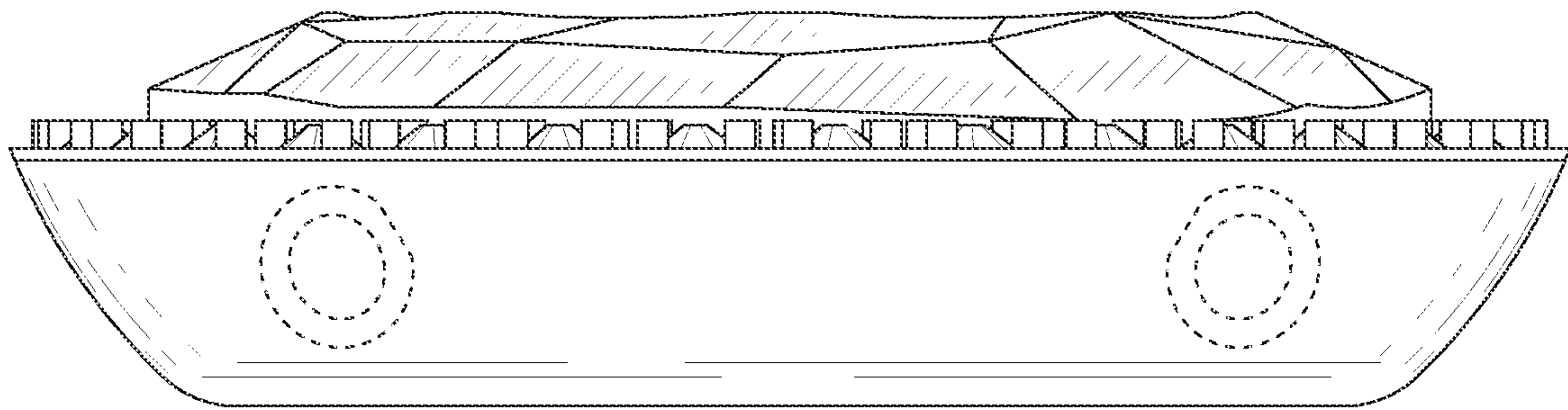


FIG. 3

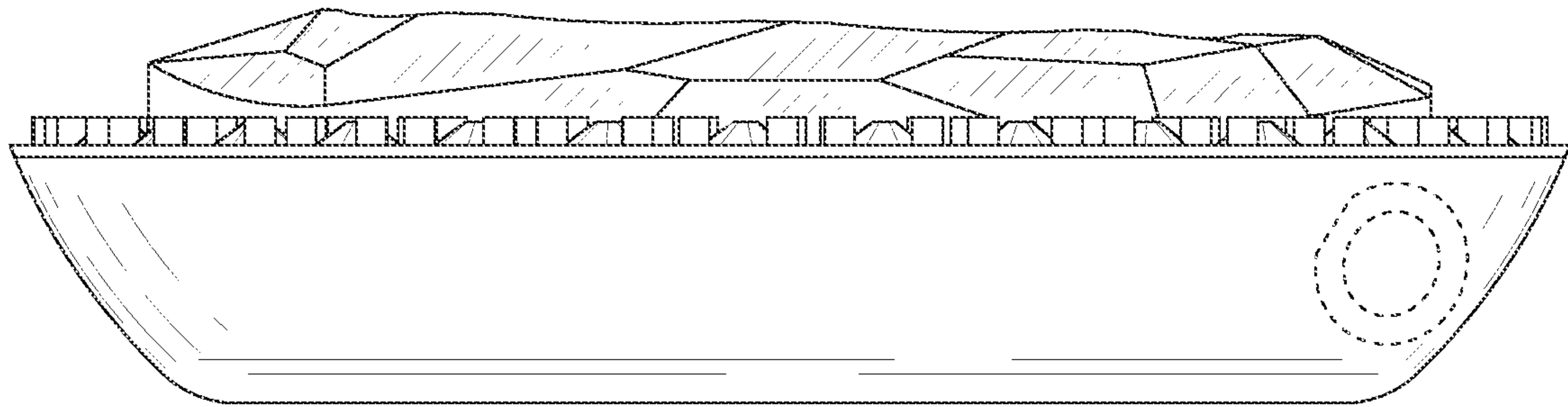


FIG. 4

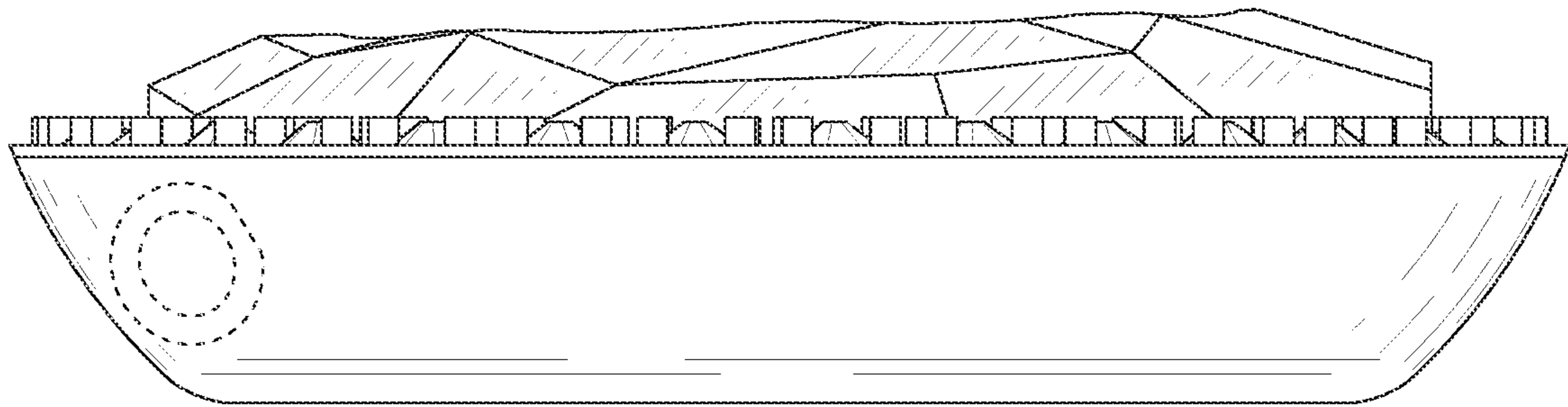


FIG. 5

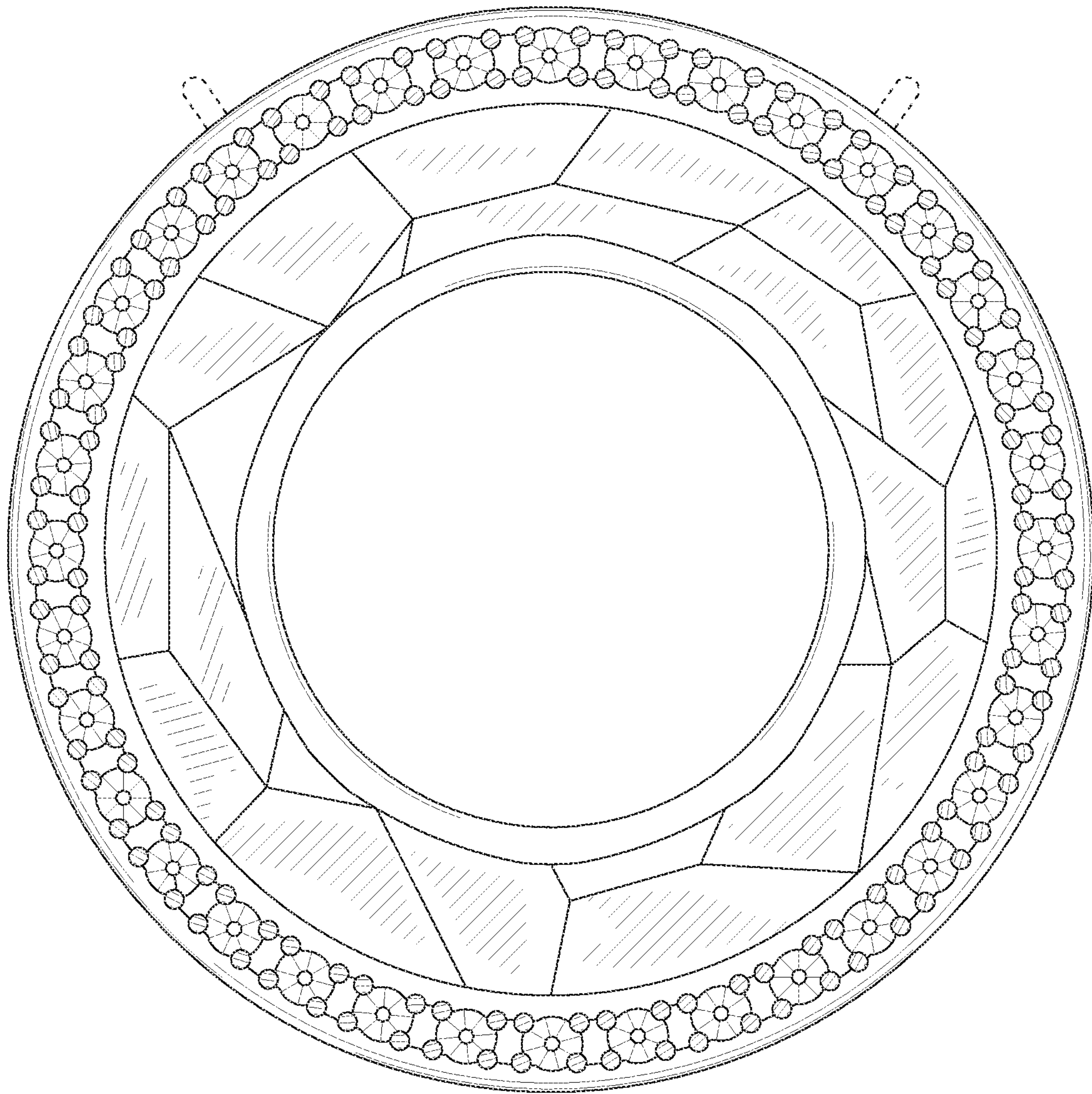


FIG. 6

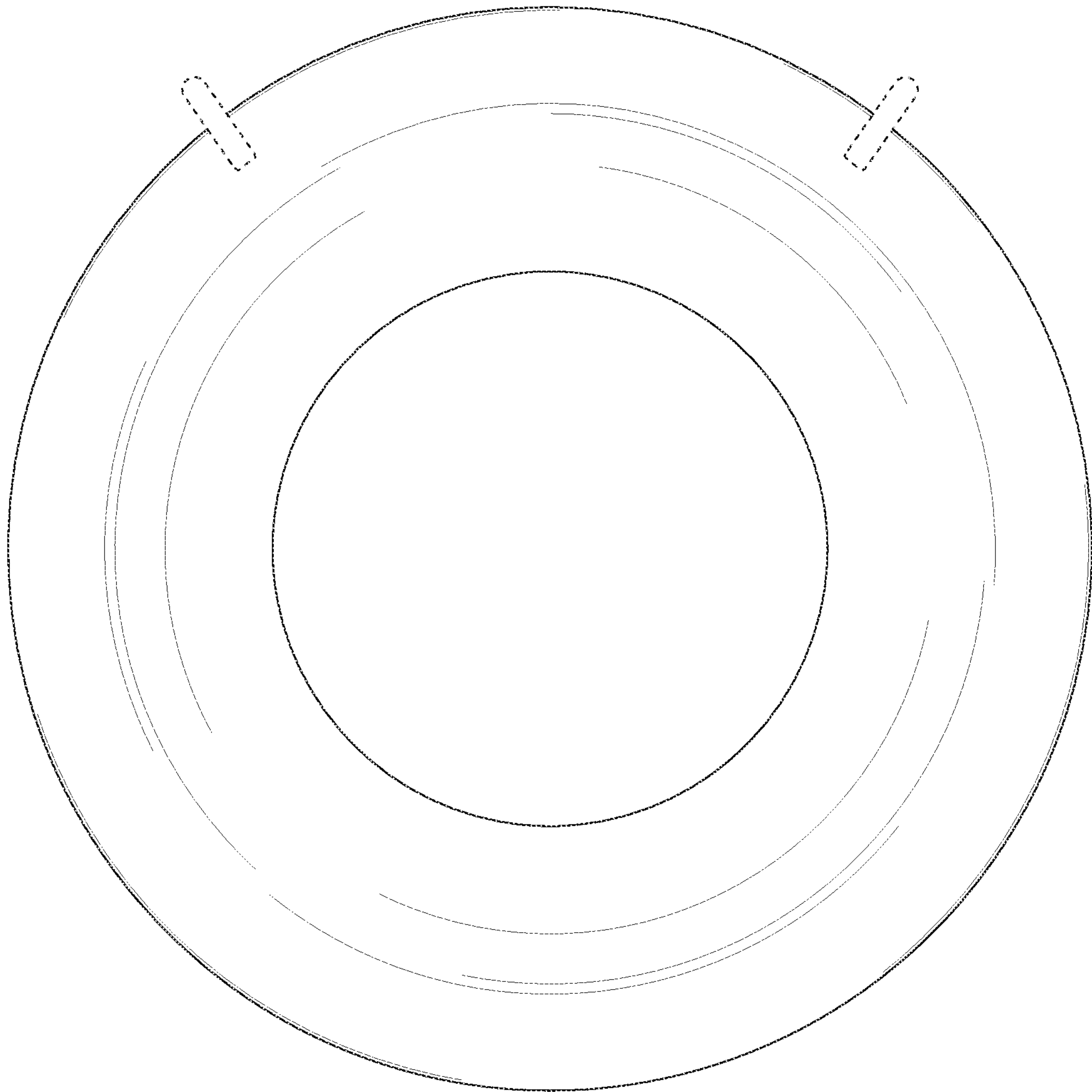


FIG. 7